



US00D650581S

(12) **United States Design Patent**
Wallace et al.

(10) **Patent No.:** **US D650,581 S**
(45) **Date of Patent:** **** Dec. 20, 2011**

(54) **COMBINED FISHING LURE HOLDER AND CASE**

(76) Inventors: **James W. Wallace**, Lake View, IA (US);
Neil Paul Ziegmann, Lake View, IA (US)

(**) Term: **14 Years**

(21) Appl. No.: **29/378,353**

(22) Filed: **Nov. 3, 2010**

(51) **LOC (9) Cl.** **03-01**

(52) **U.S. Cl.** **D3/247**

(58) **Field of Classification Search** D3/247,
D3/249-253; 150/130-132, 136-137
See application file for complete search history.

(56) **References Cited**

U.S. PATENT DOCUMENTS

D332,866	S	*	2/1993	Kopel et al.	D3/230
5,439,154	A	*	8/1995	Delligatti	224/601
D362,751	S	*	10/1995	Kopel	D3/233
D390,590	S	*	2/1998	Bedol	D18/2
5,713,406	A	*	2/1998	Drury	150/132

* cited by examiner

Primary Examiner — Holly Baynham

(74) *Attorney, Agent, or Firm* — McKee, Voorhees & Sease, P.L.C.

(57) **CLAIM**

We claim the ornamental design for a combined fishing lure holder and case, substantially as shown and described.

DESCRIPTION

FIG. 1 is a perspective view of the fishing lure holder and case of the present invention with foam lure holders.

FIG. 2 is a front or inside view of the holder and case.

FIG. 3 is a back or outside view of the holder and case.

FIG. 4 is a top edge elevation view of the holder and case.

FIG. 5 is a bottom edge elevation view of the holder and case.

FIG. 6 is a left side edge elevation view of the holder and case.

FIG. 7 is a right side edge elevation view of the holder and case.

FIG. 8 is a perspective view of the fishing lure case of the present invention in an open configuration, having the same case as in FIGS. 1-7 but without the foam lure holders with dashed lines representing stitching along various parts of the case.

FIG. 9 is a front or inside plane view of the case.

FIG. 10 is a back or outside plane view of the case.

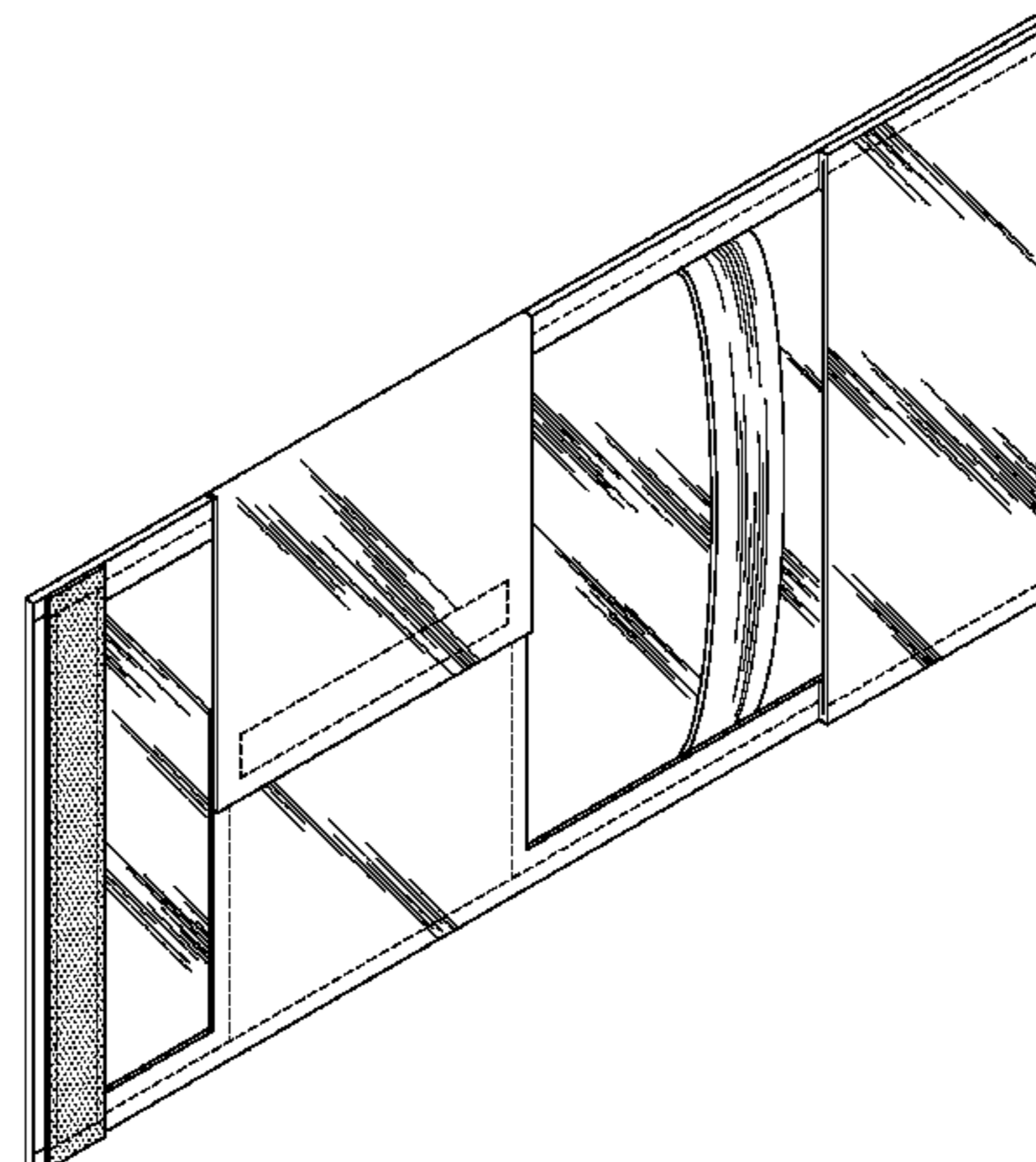
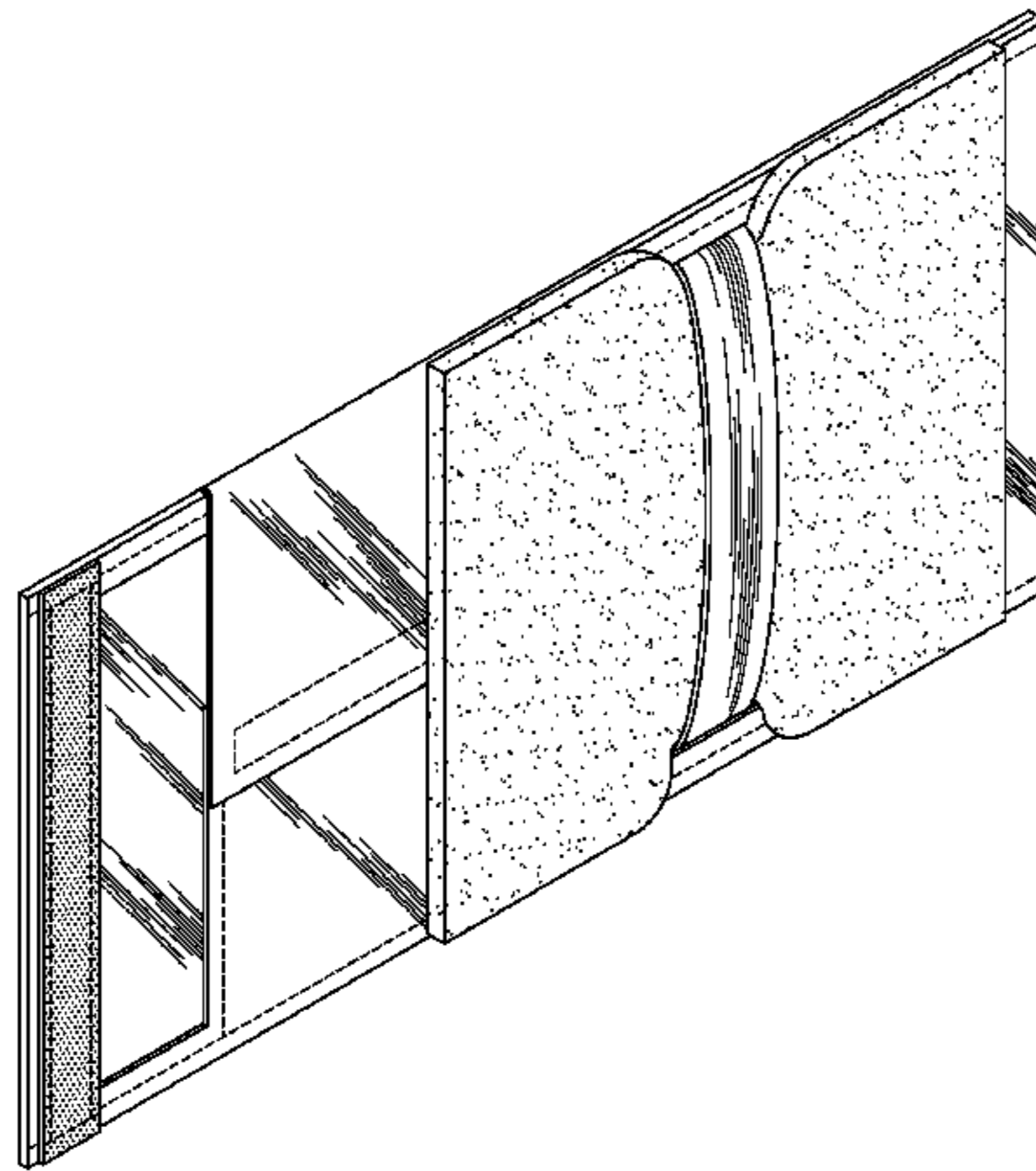
FIG. 11 is a top edge elevation view of the case.

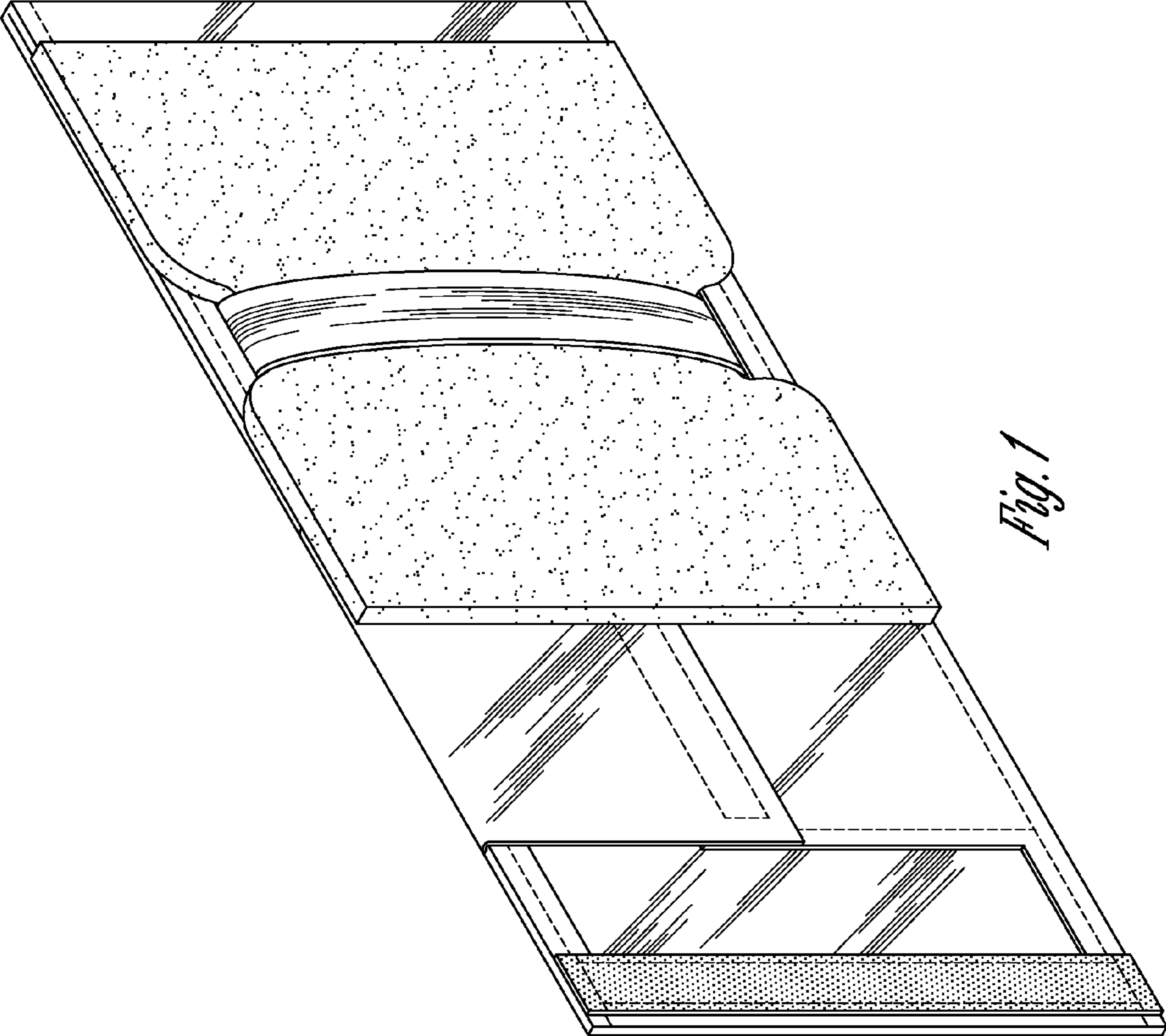
FIG. 12 is a bottom edge elevation view of the case.

FIG. 13 is a left side elevation view of the case; and,

FIG. 14 is a right side elevation view of the case.

1 Claim, 10 Drawing Sheets





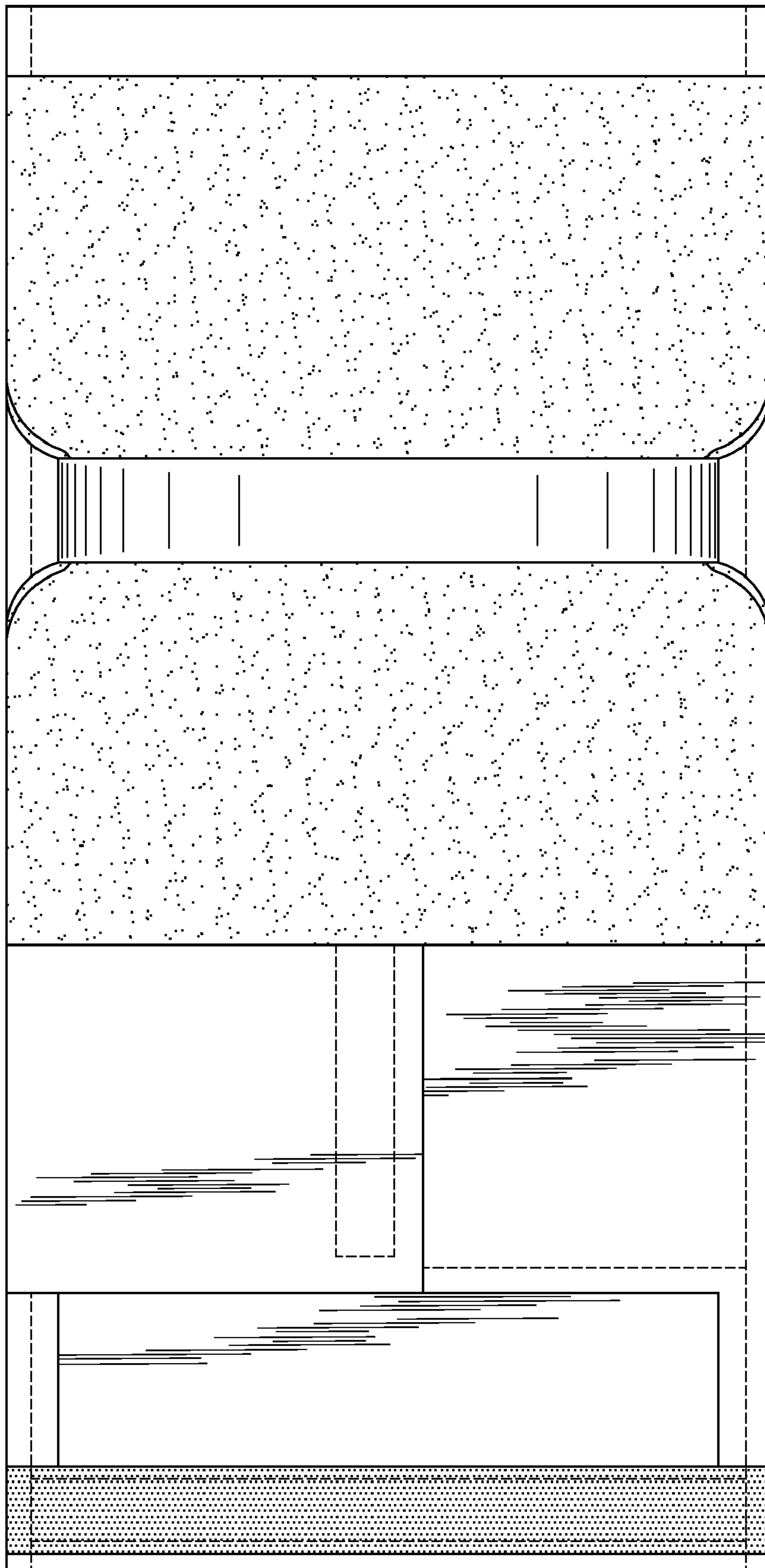


Fig. 2

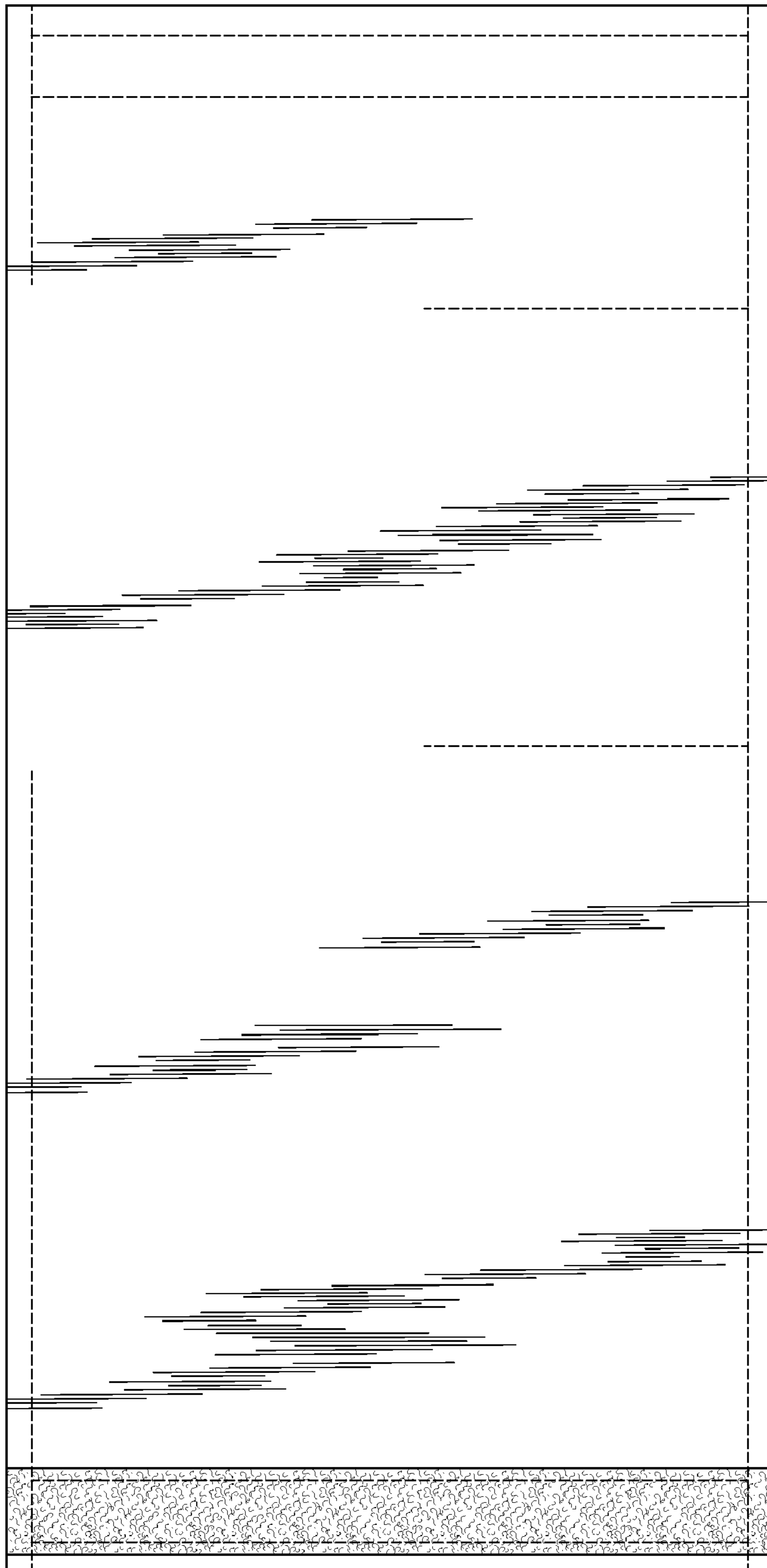


Fig. 3

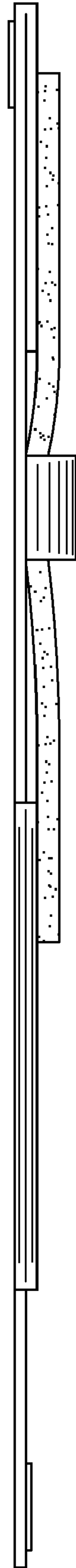


Fig. 4

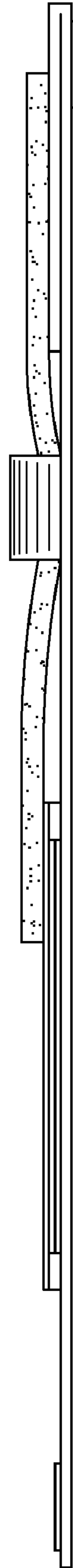


Fig. 5

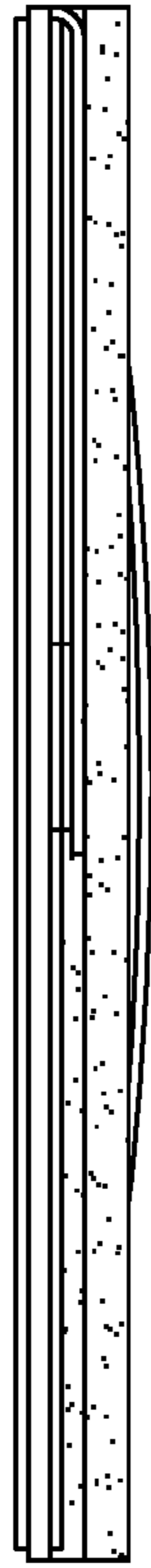


Fig. 6



Fig. 7

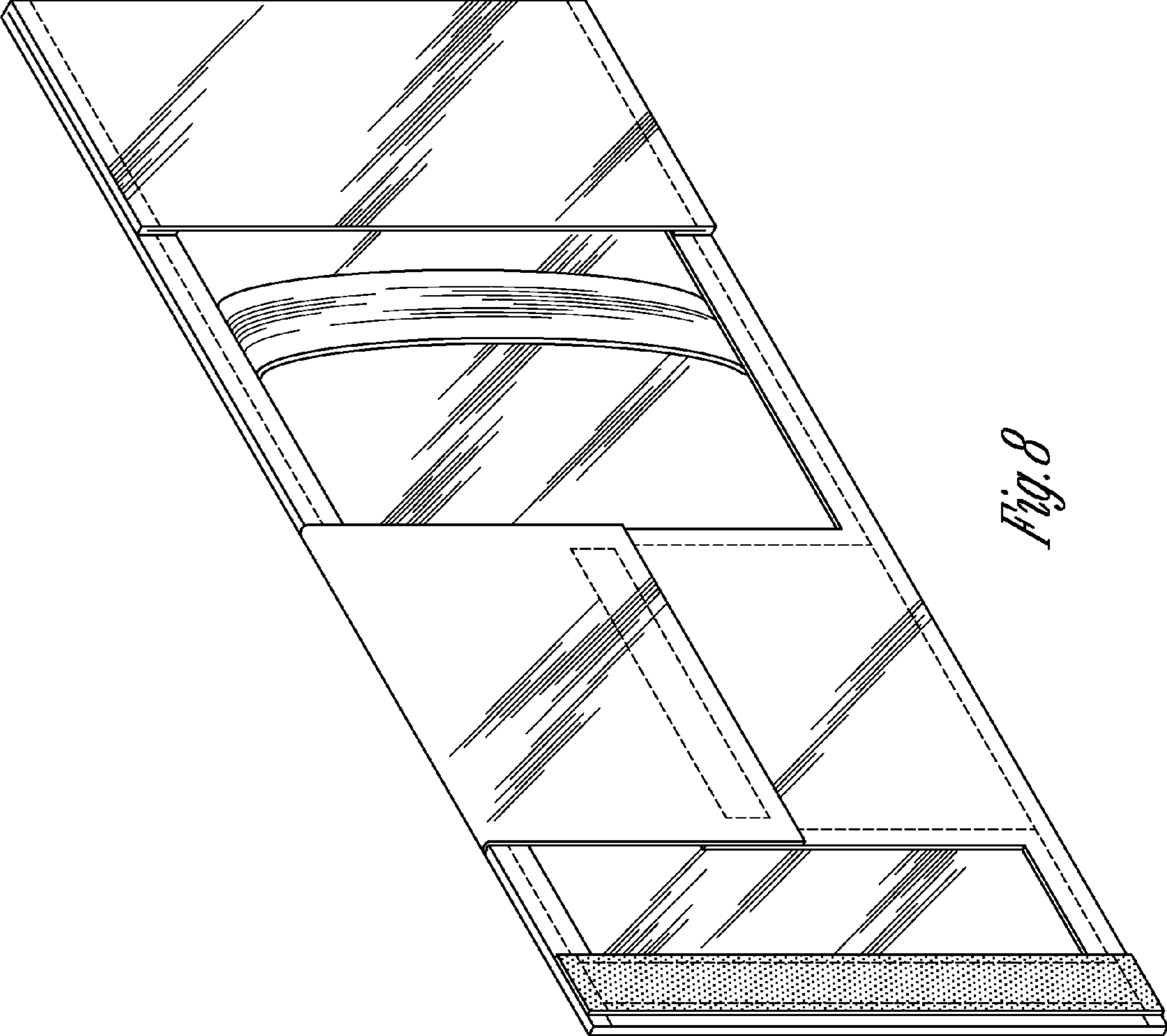


Fig. 8

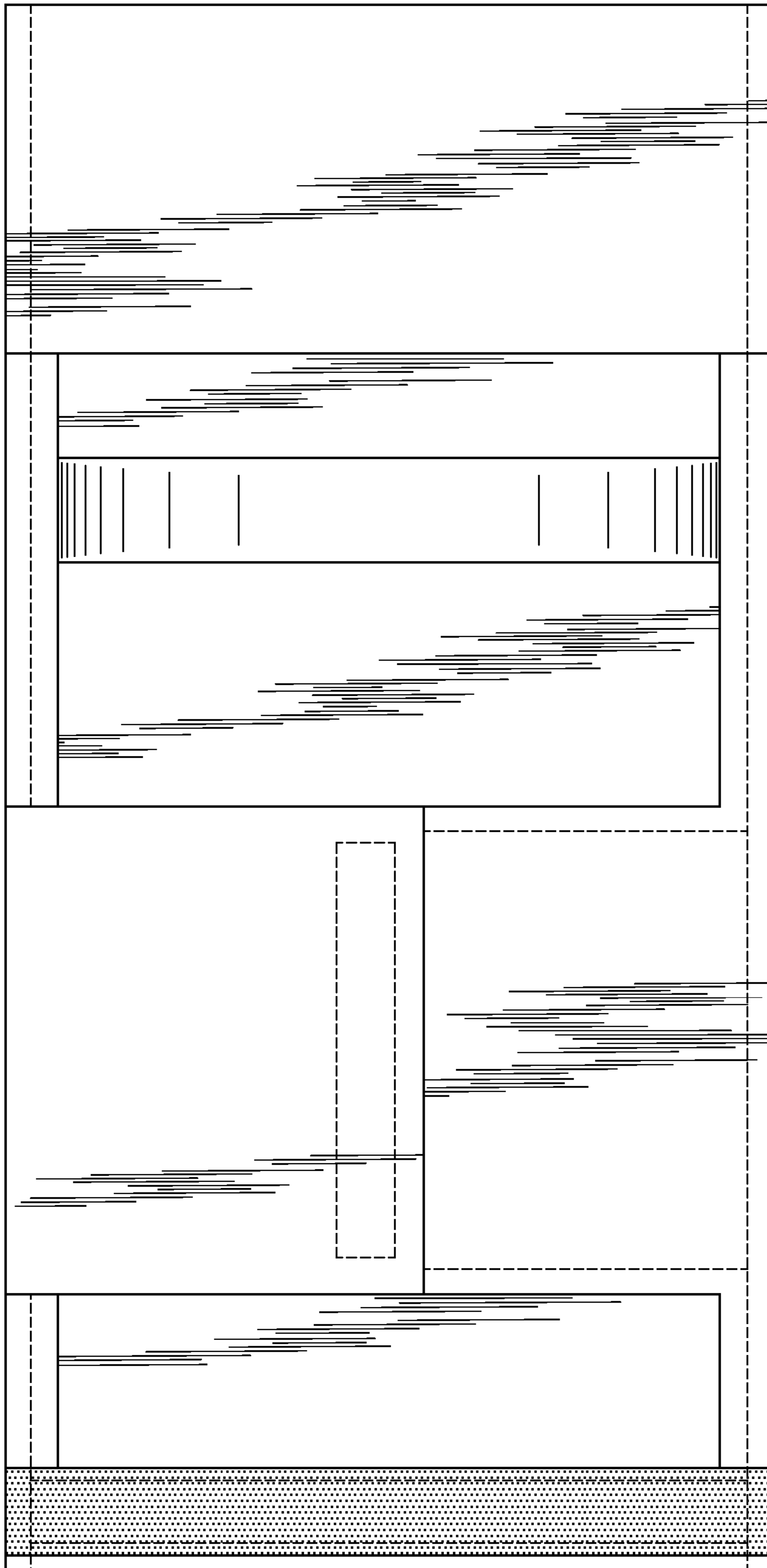


Fig. 9

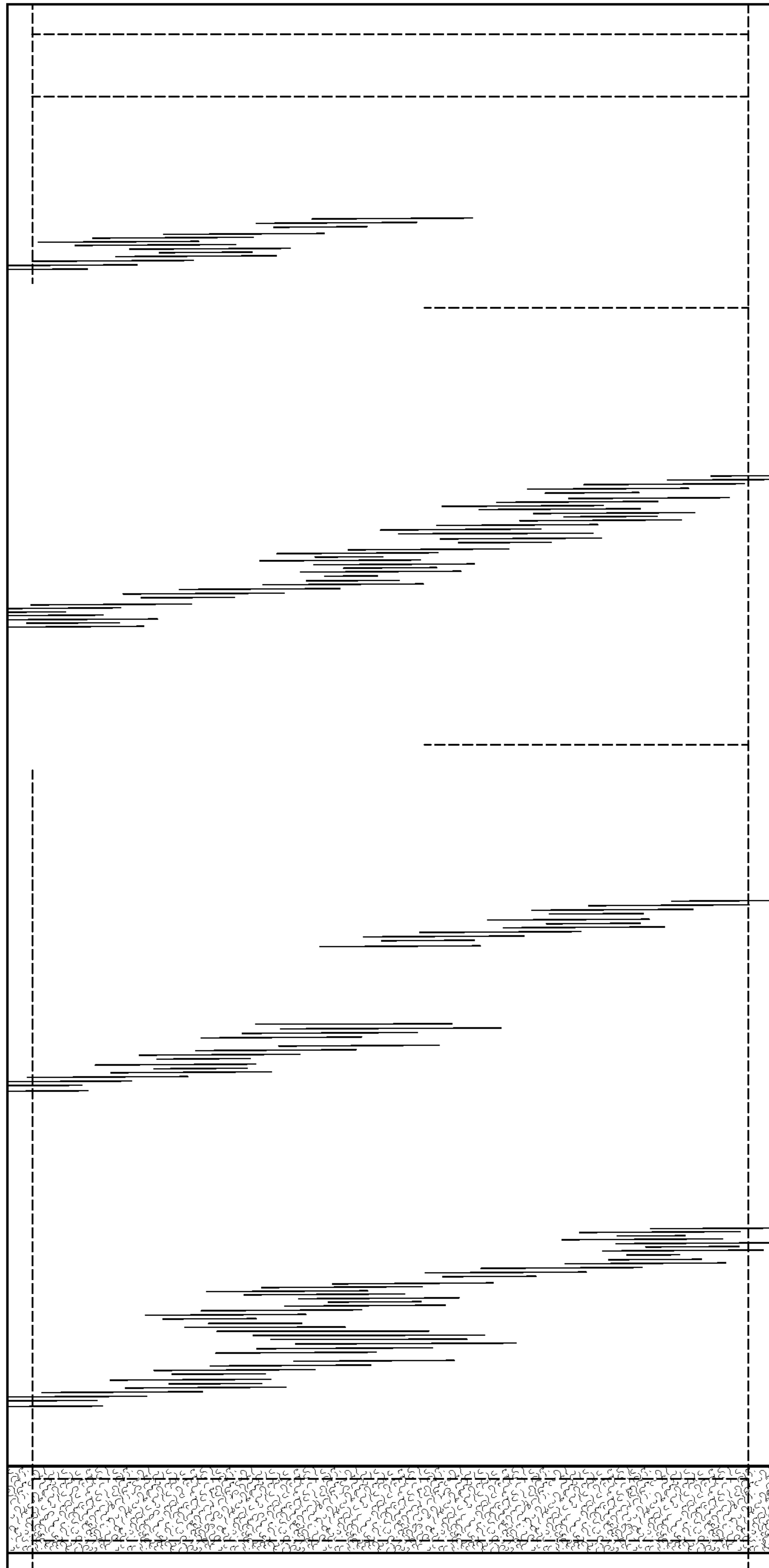


Fig. 10

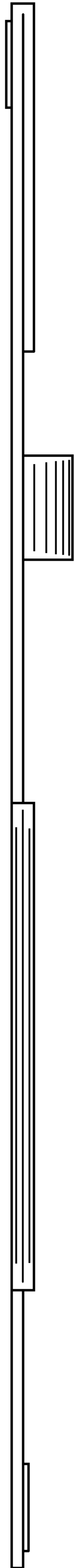


Fig. 11

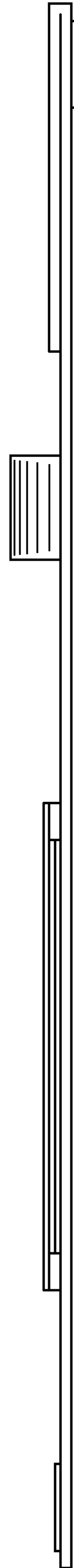


Fig. 12

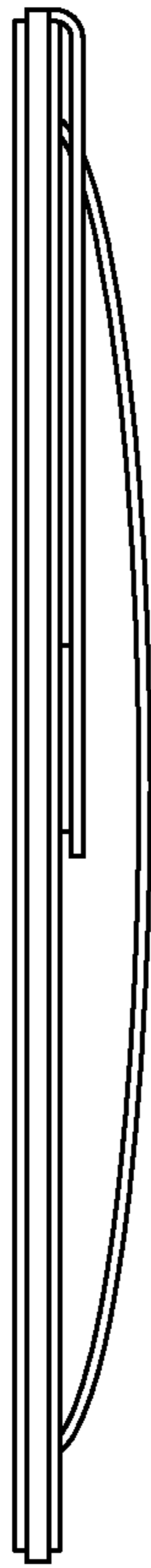


Fig. 13

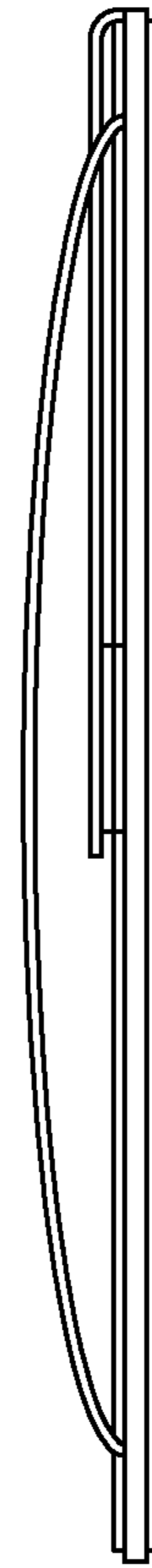


Fig. 14