



US00D650580S

(12) **United States Design Patent**
Borghi

(10) **Patent No.:** **US D650,580 S**

(45) **Date of Patent:** **** Dec. 20, 2011**

(54) **HANDBAG**

(75) Inventor: **Leonello Borghi**, New York, NY (US)

(73) Assignee: **Lancel International S.A.**,
Villars-Sur-Glane (CH)

(**) Term: **14 Years**

(21) Appl. No.: **29/378,775**

(22) Filed: **Nov. 9, 2010**

(30) **Foreign Application Priority Data**

May 10, 2010 (WO) DM/073 738

(51) **LOC (9) Cl.** **03-01**

(52) **U.S. Cl.** **D3/245**

(58) **Field of Classification Search** D3/232–233,
D3/240–246; 150/100, 103–110, 113–114,
150/118–119

See application file for complete search history.

(56) **References Cited**

U.S. PATENT DOCUMENTS

D281,201 S *	11/1985	Schimmel	D3/244
D579,657 S *	11/2008	Hermann	D3/246
D609,903 S *	2/2010	Brinegar	D3/232
D624,751 S *	10/2010	McLeod	D3/244

* cited by examiner

Primary Examiner — Holly Baynham

(74) *Attorney, Agent, or Firm* — The Nath Law Group;
Derek Richmond

(57) **CLAIM**

The ornamental design for a handbag, as shown and described.

DESCRIPTION

FIG. 1 is a perspective view of a handbag;
FIG. 2 is a front view of the handbag;
FIG. 3 is a rear view of the handbag;
FIG. 4 is a left side view of the handbag;
FIG. 5 is a right side view of the handbag;
FIG. 6 is a top view of the handbag; and,
FIG. 7 is a bottom view of the handbag.
The broken lines representing stitching are part of the claimed design.

1 Claim, 7 Drawing Sheets

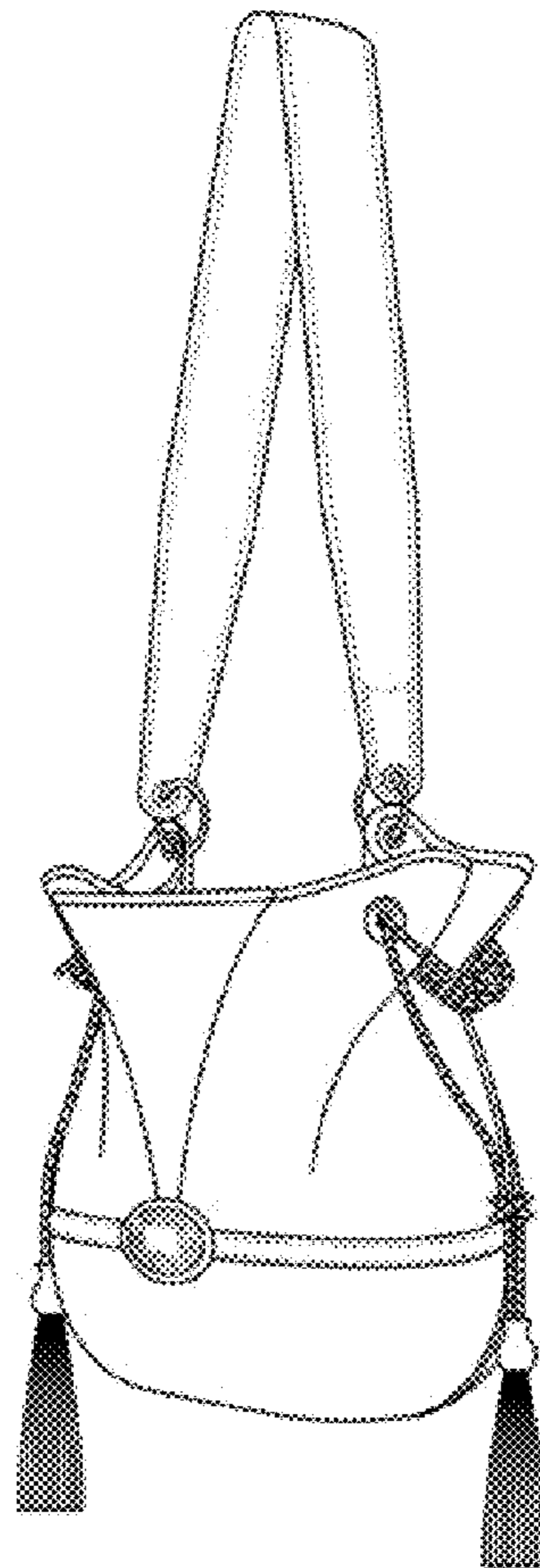


FIG. 1

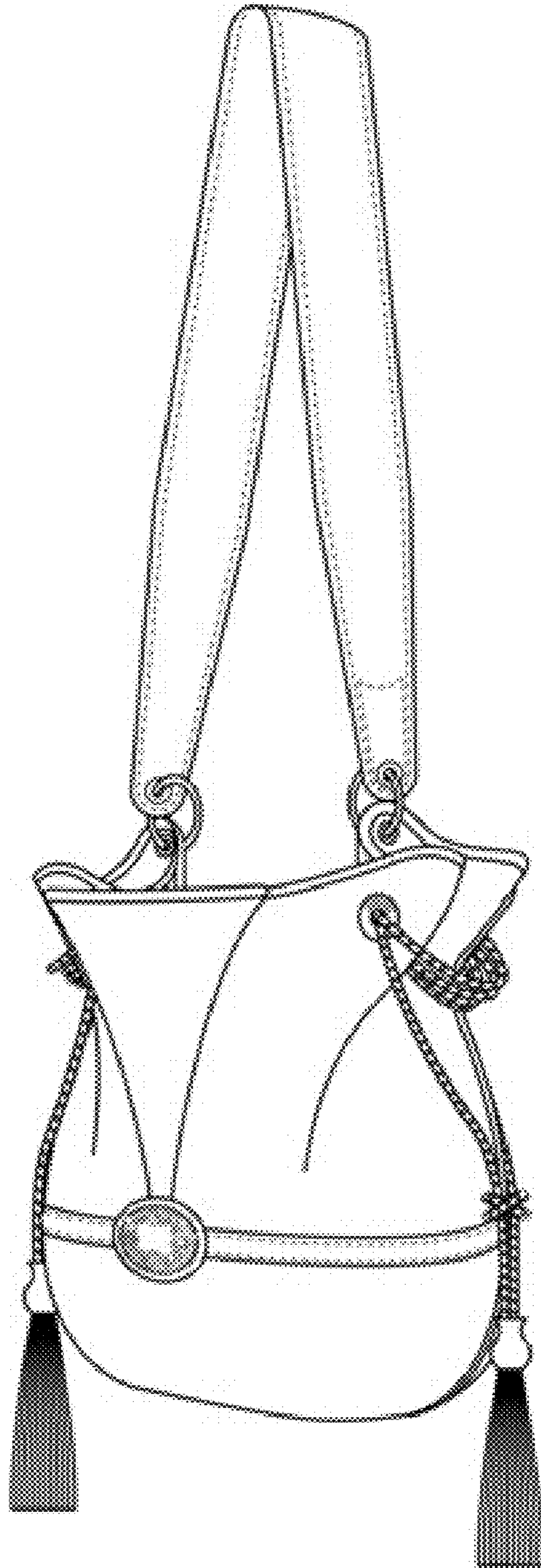


FIG. 2



FIG. 3



FIG. 4

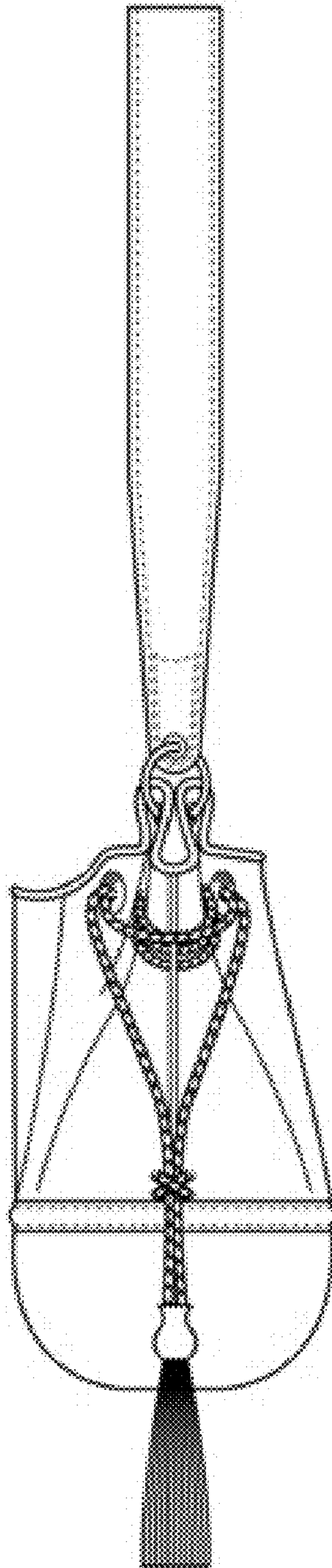


FIG. 5

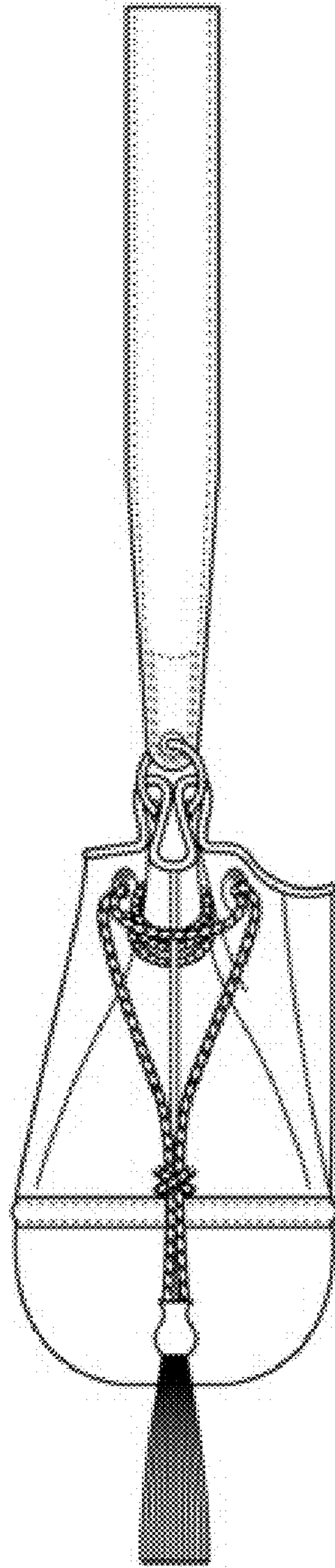


FIG. 6

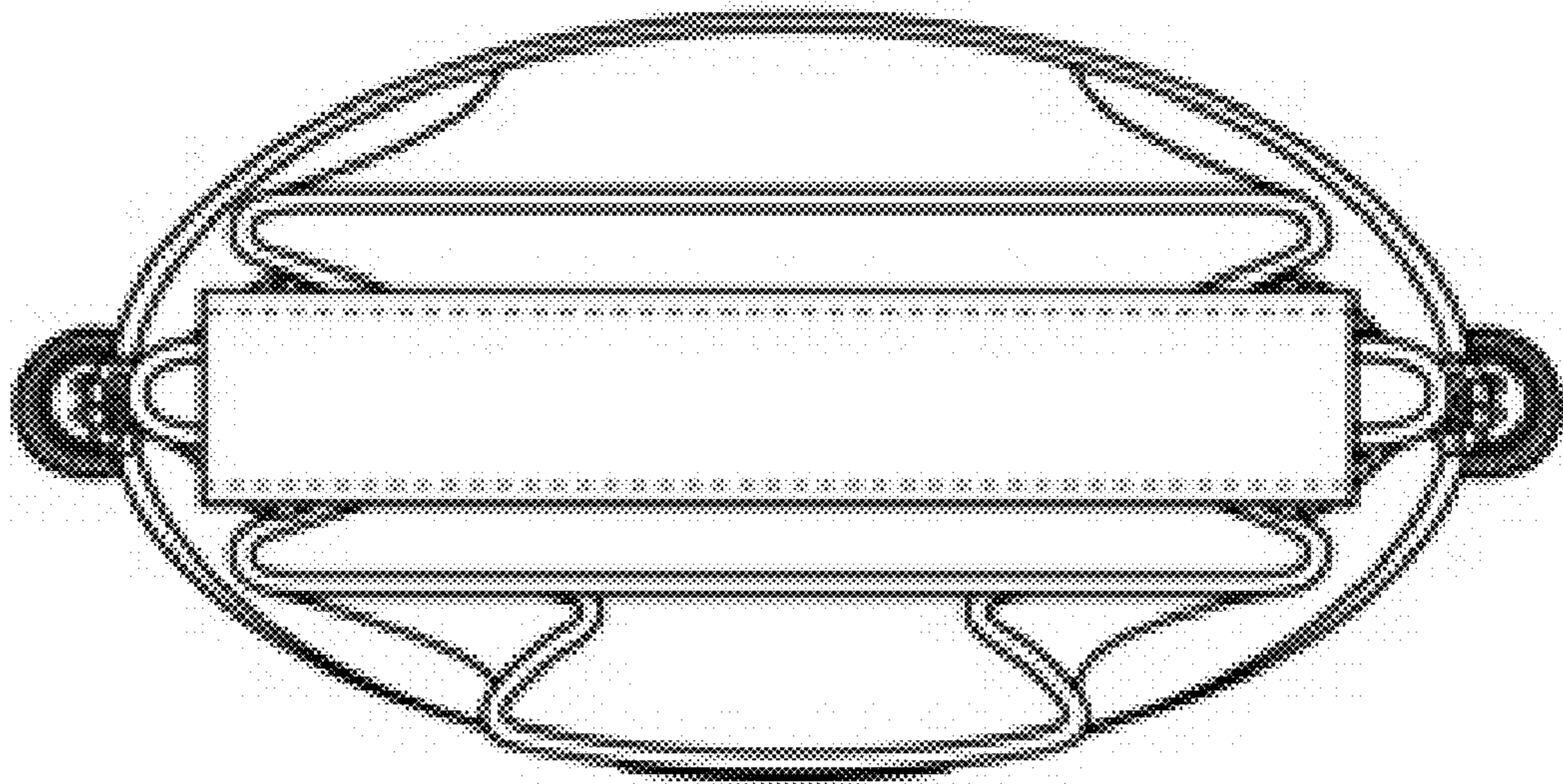


FIG. 7

