



US00D650577S

(12) **United States Design Patent**
Glander

(10) **Patent No.:** **US D650,577 S**

(45) **Date of Patent:** **** Dec. 20, 2011**

(54) **CLIP ON TOOL HOLDER FOR GRIPPING ON TO A GARMENT**

2005/0133552 A1 6/2005 Lawrence
2007/0181621 A1 8/2007 Piatt et al.

* cited by examiner

(76) Inventor: **Richard D. Glander**, Bohemia, NY
(US)

Primary Examiner — Catheri Oliver

(74) *Attorney, Agent, or Firm* — Richard L. Miller

(**) Term: **14 Years**

(57) **CLAIM**

The ornamental design for clip on tool holder for gripping on to a garment, as shown and described.

(21) Appl. No.: **29/372,259**

(22) Filed: **Nov. 1, 2010**

DESCRIPTION

(51) **LOC (9) Cl.** **03-01**

(52) **U.S. Cl.** **D3/228**

(58) **Field of Classification Search** D3/228,
D3/215, 224; 206/372-379; 224/268-269,
224/247-248, 234, 666-669, 673, 677-678,
224/904; D8/373; 24/3.1, 3.2, 3.11-3.12

See application file for complete search history.

FIG. 1 is a perspective view of a clip on tool holder for gripping on to a garment showing my new design;

FIG. 2 is a top plan view thereof taken in the direction of arrow 2 in FIG. 1;

FIG. 3 is a front elevational view thereof taken in the direction of arrow 3 in FIG. 1;

FIG. 4 is a right side elevational view thereof taken in the direction of arrow 4 in FIG. 1, it being understood that the left side is a mirror image thereof;

FIG. 5 is a rear elevational view thereof taken in the direction of arrow 5 in FIG. 1;

FIG. 6 is a bottom plan view thereof taken in the direction of arrow 6 in FIG. 1;

FIG. 7 is a perspective view of the clip on tool holder for gripping on to a garment shown installed on a garment; and, FIG. 8 is a perspective view of the clip on tool holder for gripping on to a garment shown installed on a garment with a hammer hung there from.

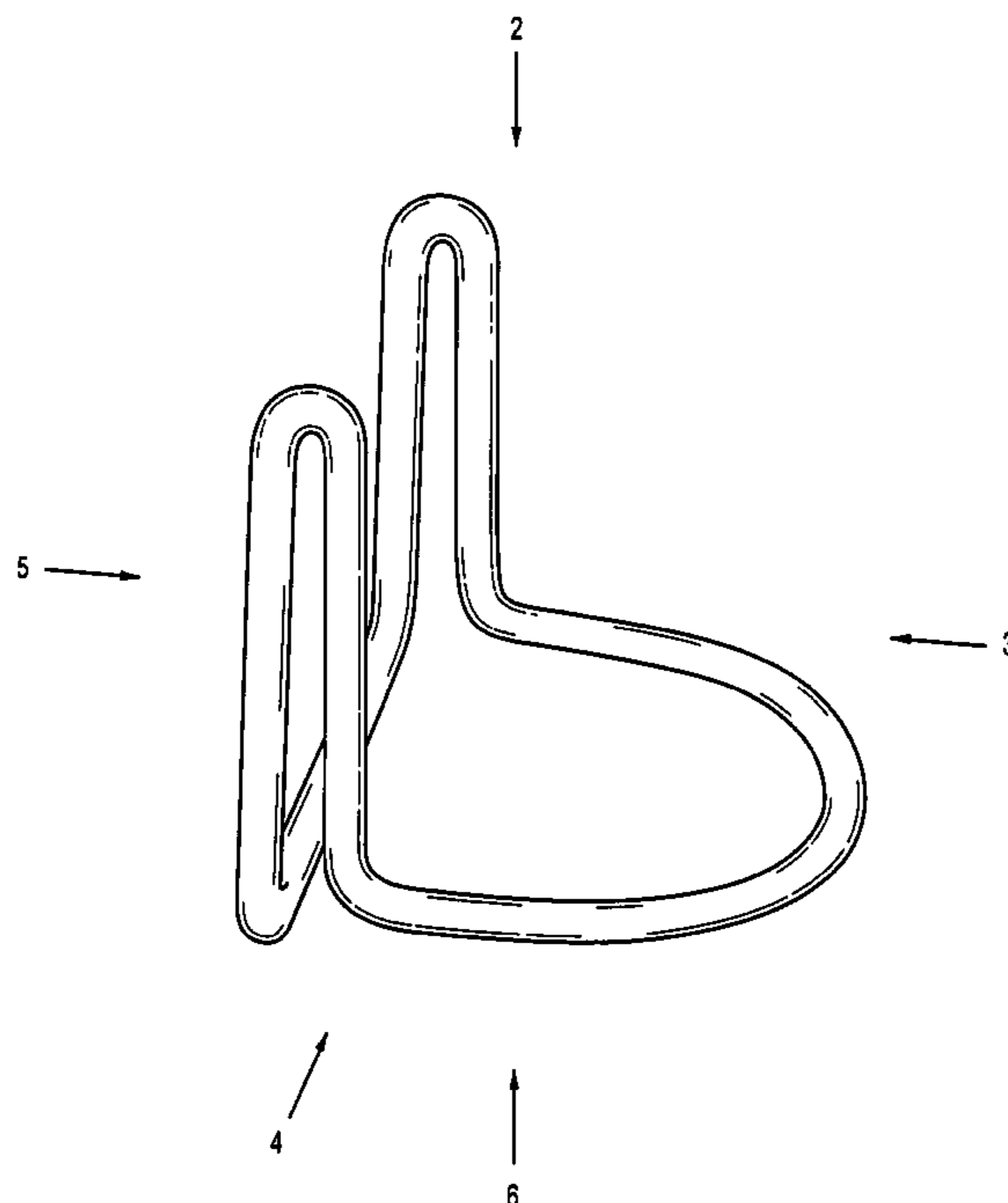
It is to be understood that any portion of any figure shown in broken lines are for environmental purposes only and form no part of the claimed design.

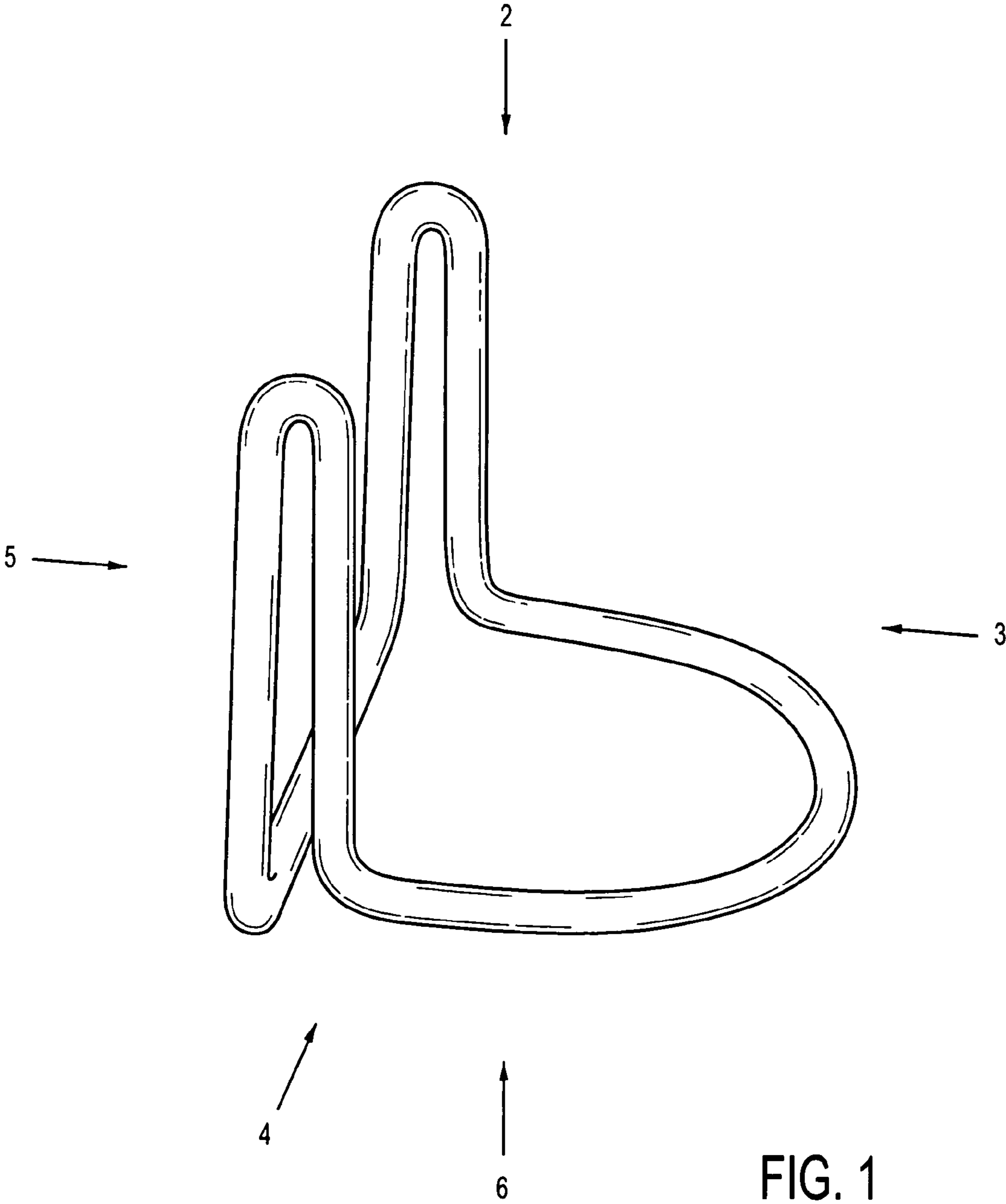
(56) **References Cited**

U.S. PATENT DOCUMENTS

3,104,434	A *	9/1963	Noordhoek	224/666
D213,451	S *	3/1969	White	D3/228
3,768,709	A *	10/1973	Kinard	224/248
D240,370	S *	7/1976	Kuehl	D3/228
D261,197	S *	10/1981	Rowswell	D3/228
4,936,499	A *	6/1990	Gulley	224/669
D374,604	S *	10/1996	Hnatowicz et al.	D3/228
5,687,892	A	11/1997	Johns		
6,443,342	B1	9/2002	Kahn		
6,454,147	B1	9/2002	Marks		
RE38,035	E	3/2003	Kahn		
D505,545	S	5/2005	Kay		
D564,222	S *	3/2008	Slavov	D3/228
2004/0178240	A1	9/2004	Bauer		

1 Claim, 5 Drawing Sheets





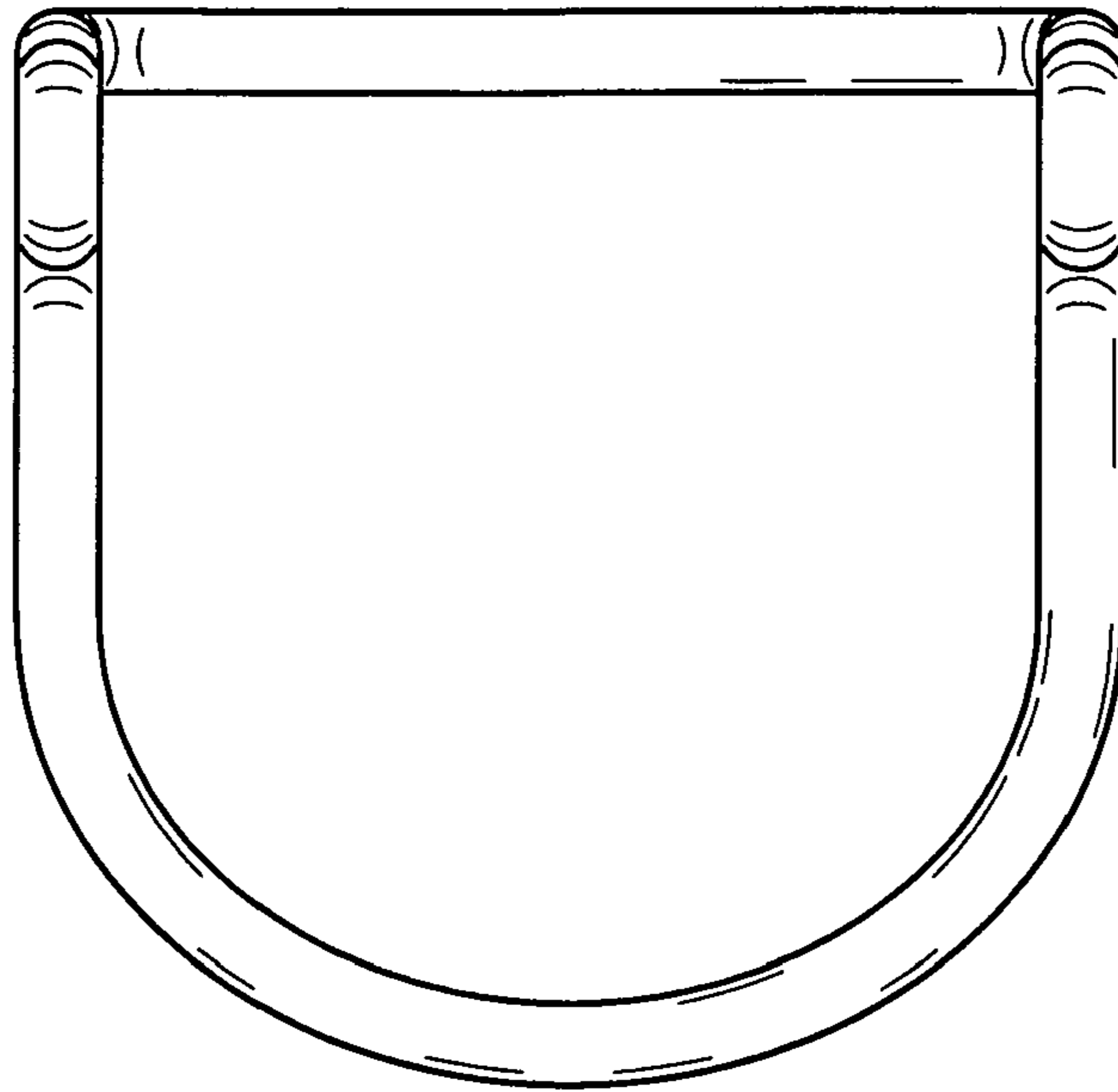


FIG. 2

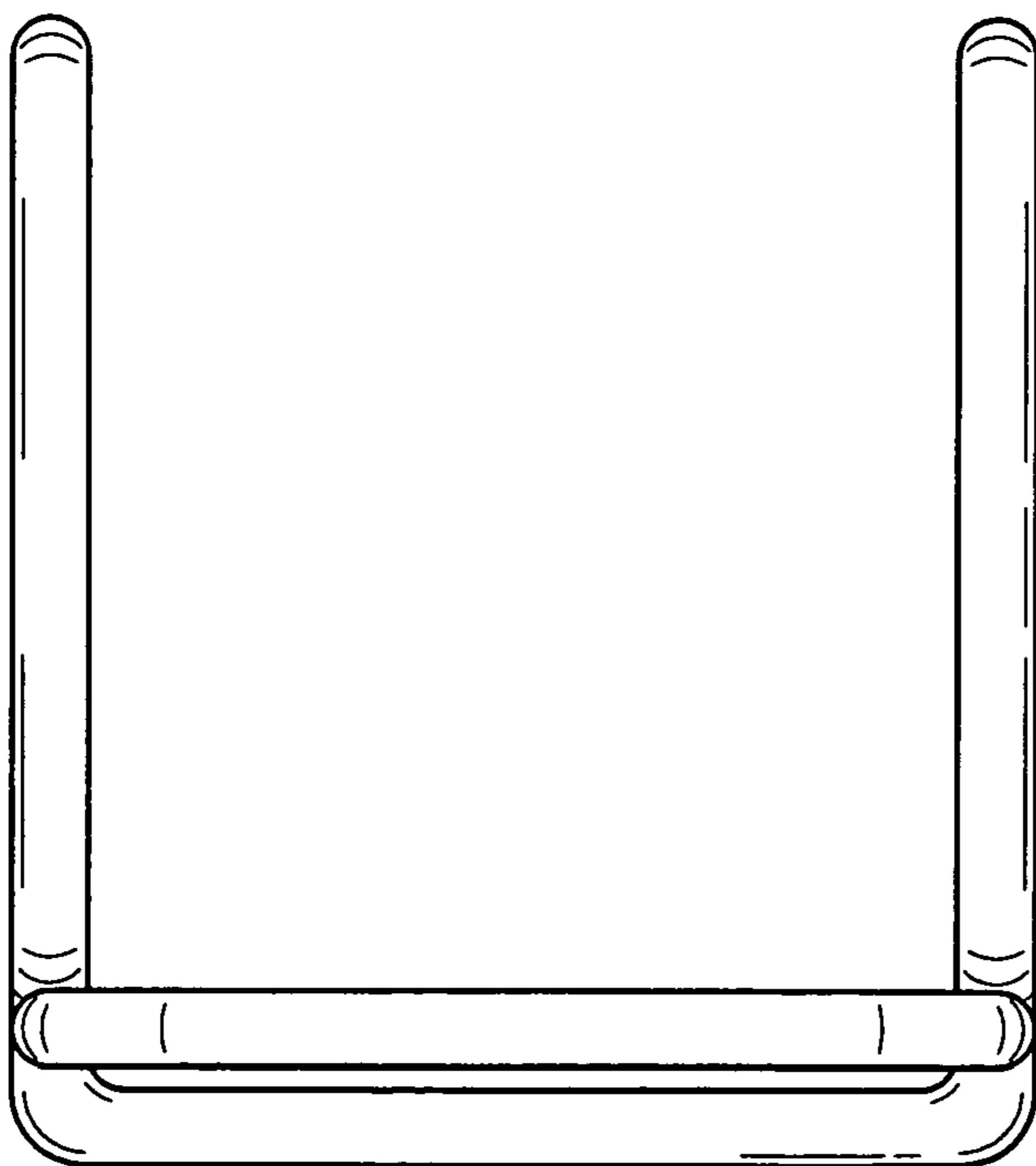


FIG. 3

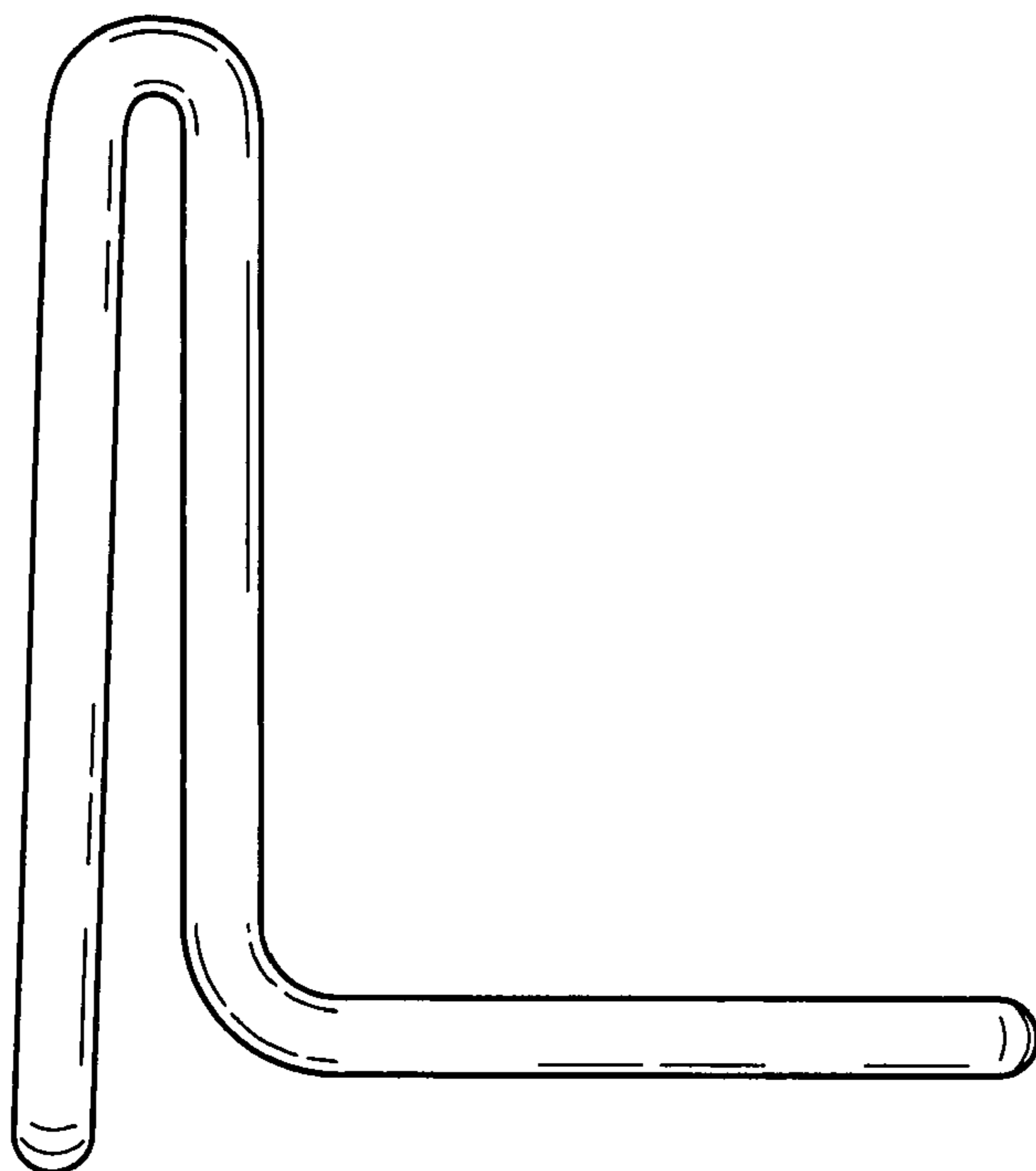


FIG. 4

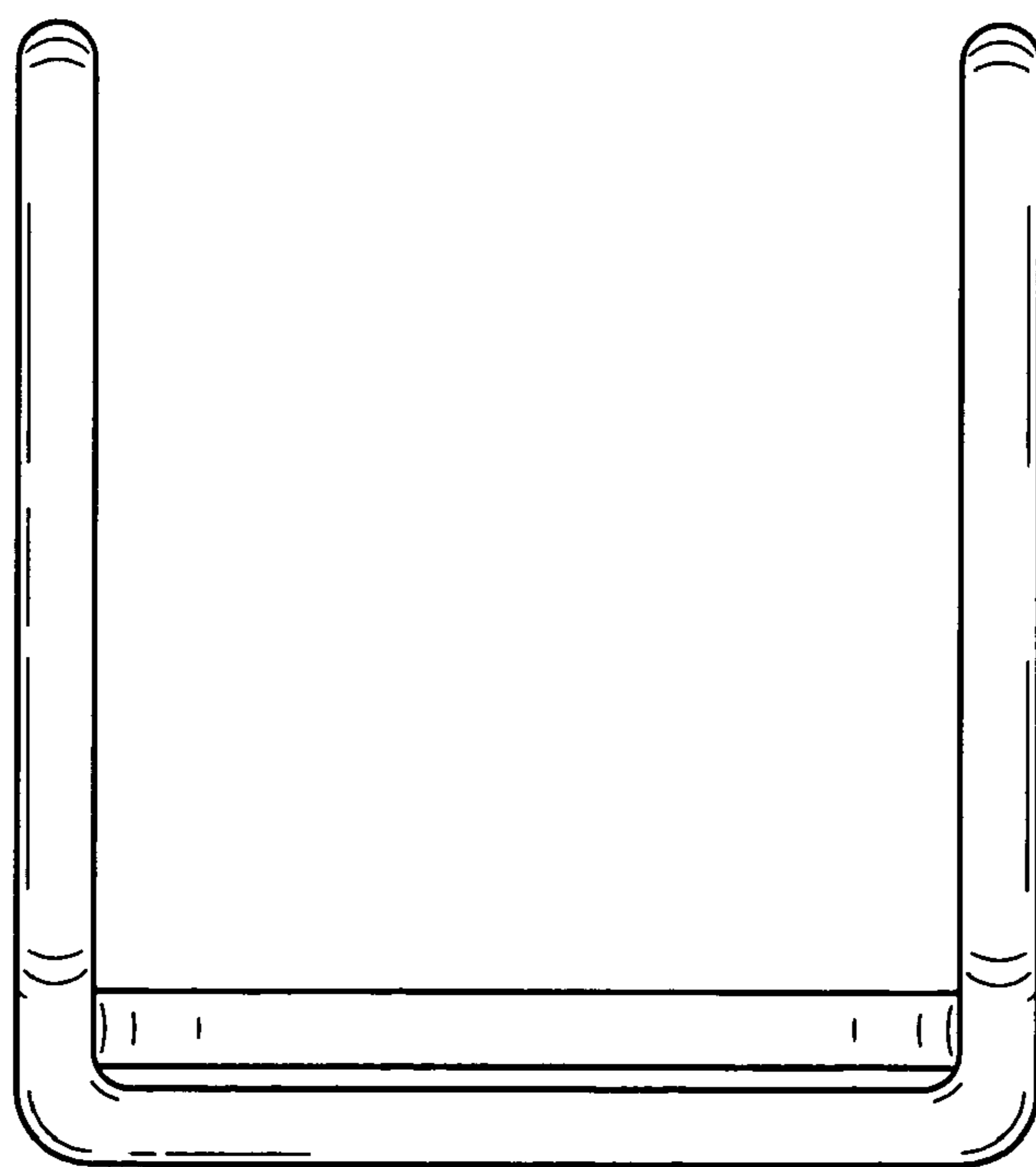


FIG. 5

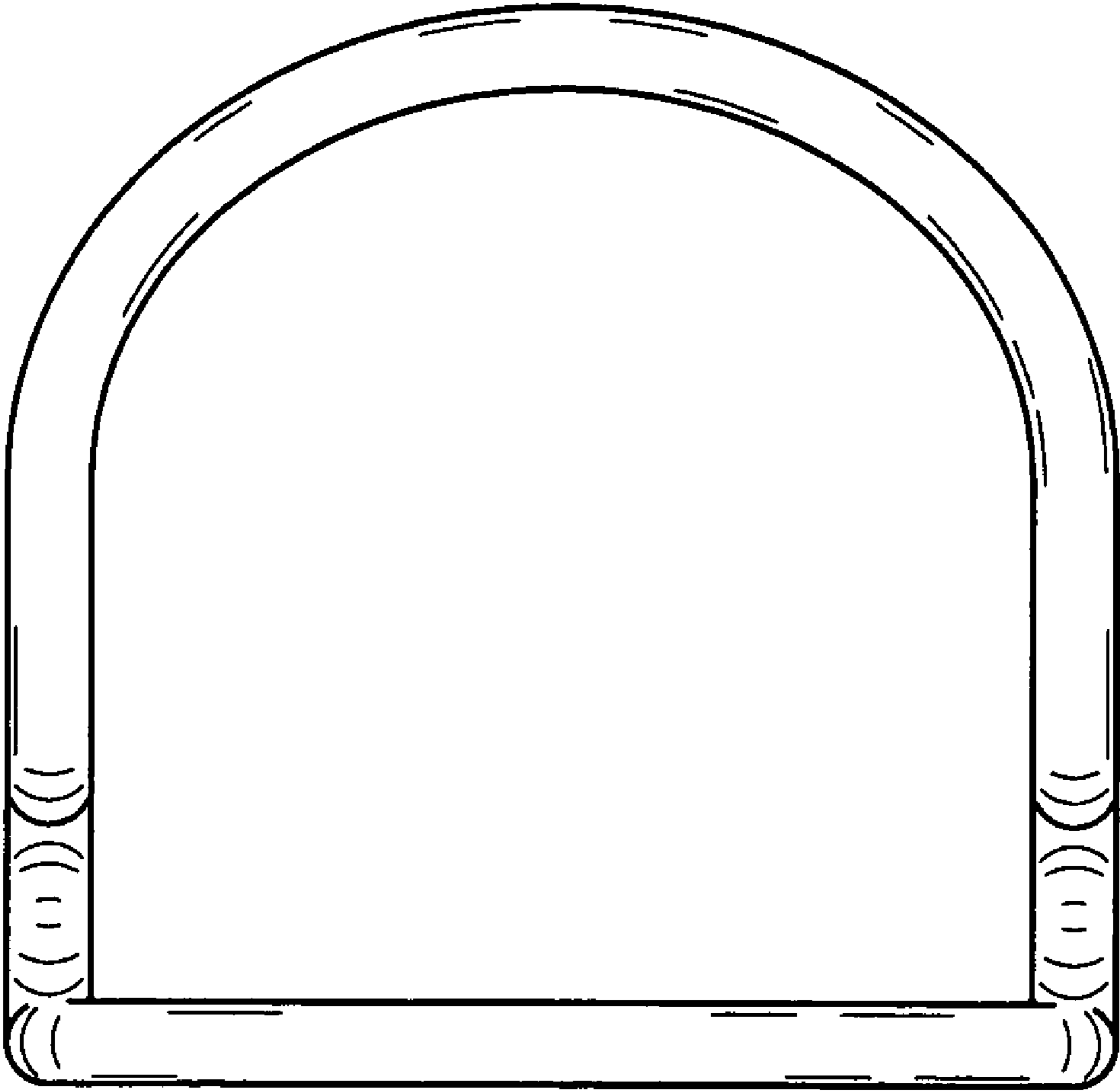


FIG. 6

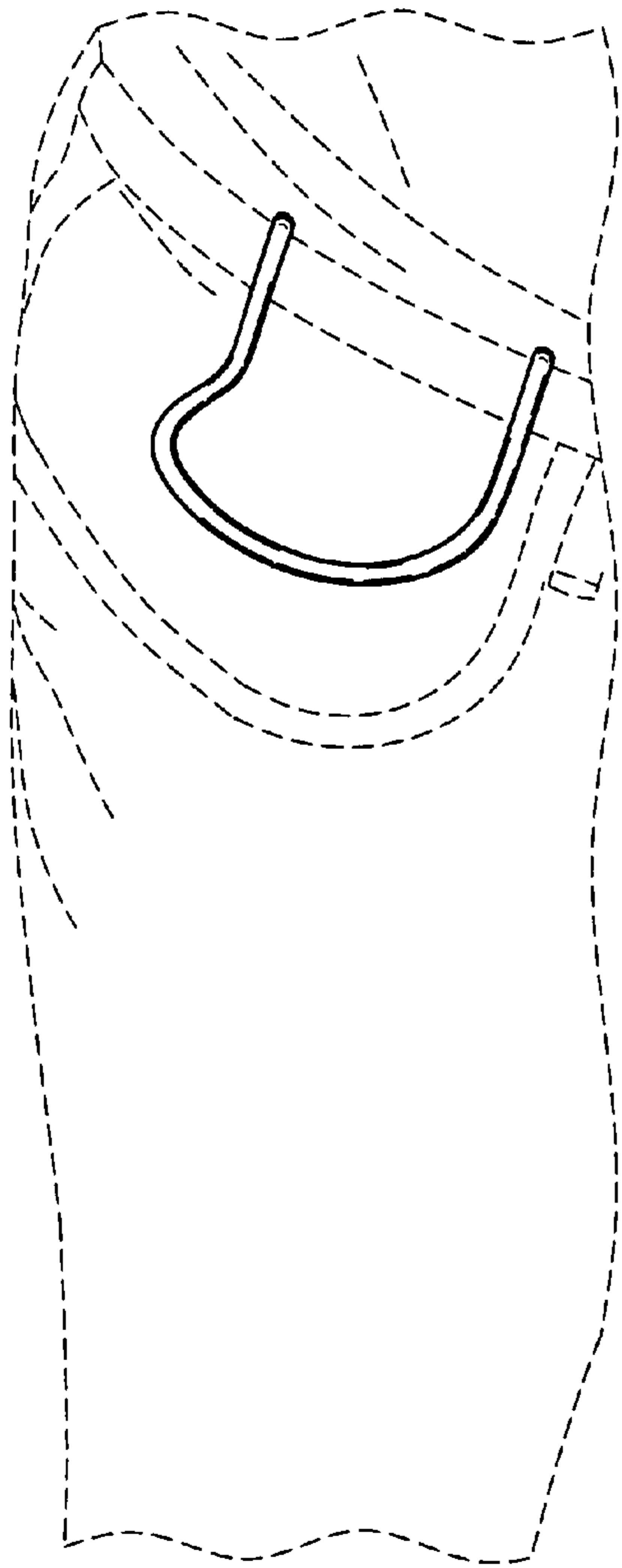


FIG. 7

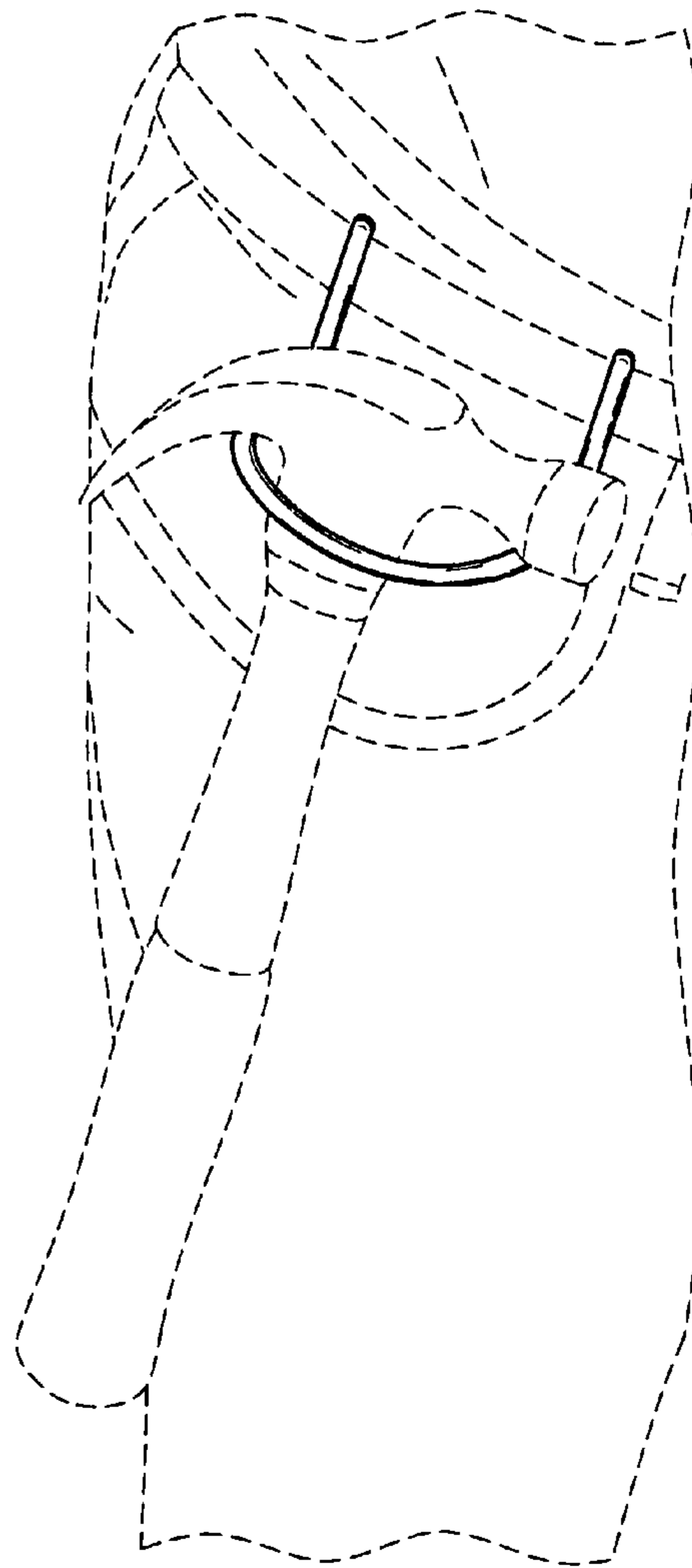


FIG. 8