



US00D650576S

(12) **United States Design Patent**  
**Bertken**

(10) **Patent No.:** **US D650,576 S**

(45) **Date of Patent:** **\*\* Dec. 20, 2011**

(54) **BACKPACK**

(75) **Inventor:** **Dennis Bertken**, Solana Beach, CA (US)

(73) **Assignee:** **Life+Gear, Inc.**, Del Mar, CA (US)

(\*\*) **Term:** **14 Years**

(21) **Appl. No.:** **29/344,846**

(22) **Filed:** **Oct. 5, 2009**

(51) **LOC (9) Cl.** ..... **03-01**

(52) **U.S. Cl.** ..... **D3/217**

(58) **Field of Classification Search** ..... D3/214,  
D3/215, 216, 217, 270; D2/830; 224/153,  
224/576, 577, 578

See application file for complete search history.

(56) **References Cited**

**U.S. PATENT DOCUMENTS**

4,466,124	A *	8/1984	Kirkham, Jr.	383/2
D388,248	S *	12/1997	Rohrbach	D3/217
D412,787	S *	8/1999	Young	D3/283
D418,972	S *	1/2000	Gold	D3/217
6,129,254	A *	10/2000	Yu	224/575
D448,161	S *	9/2001	Holodnicki	D3/217
D460,614	S *	7/2002	Reimers et al.	D3/217
6,422,439	B1 *	7/2002	Kelliher et al.	224/148.2
6,619,519	B1 *	9/2003	Nix et al.	224/153
D487,189	S *	3/2004	Ukitsu et al.	D3/217
D489,174	S *	5/2004	Shigenaka et al.	D3/217
D545,057	S *	6/2007	Cyr	D3/217
D552,845	S *	10/2007	Shor et al.	D3/217
D554,853	S *	11/2007	Bihn	D3/217

2002/0139820	A1 *	10/2002	Godshaw et al.	224/153
2007/0062994	A1 *	3/2007	Shoemaker et al.	224/576
2008/0116026	A1 *	5/2008	Bass et al.	190/1
2008/0210728	A1 *	9/2008	Bihn	224/576
2009/0255770	A1 *	10/2009	Slater	190/1

\* cited by examiner

*Primary Examiner* — T. Chase Nelson

(74) *Attorney, Agent, or Firm* — Marger Johnson & McCollom, P.C.

(57) **CLAIM**

The ornamental design for a backpack, as shown and described.

**DESCRIPTION**

FIG. 1 is a front view of a backpack of our design with flaps closed;

FIG. 2 is a left side view of the backpack of FIG. 1;

FIG. 3 is a right side view of the backpack of FIG. 1;

FIG. 4 is a back view of the backpack of FIG. 1;

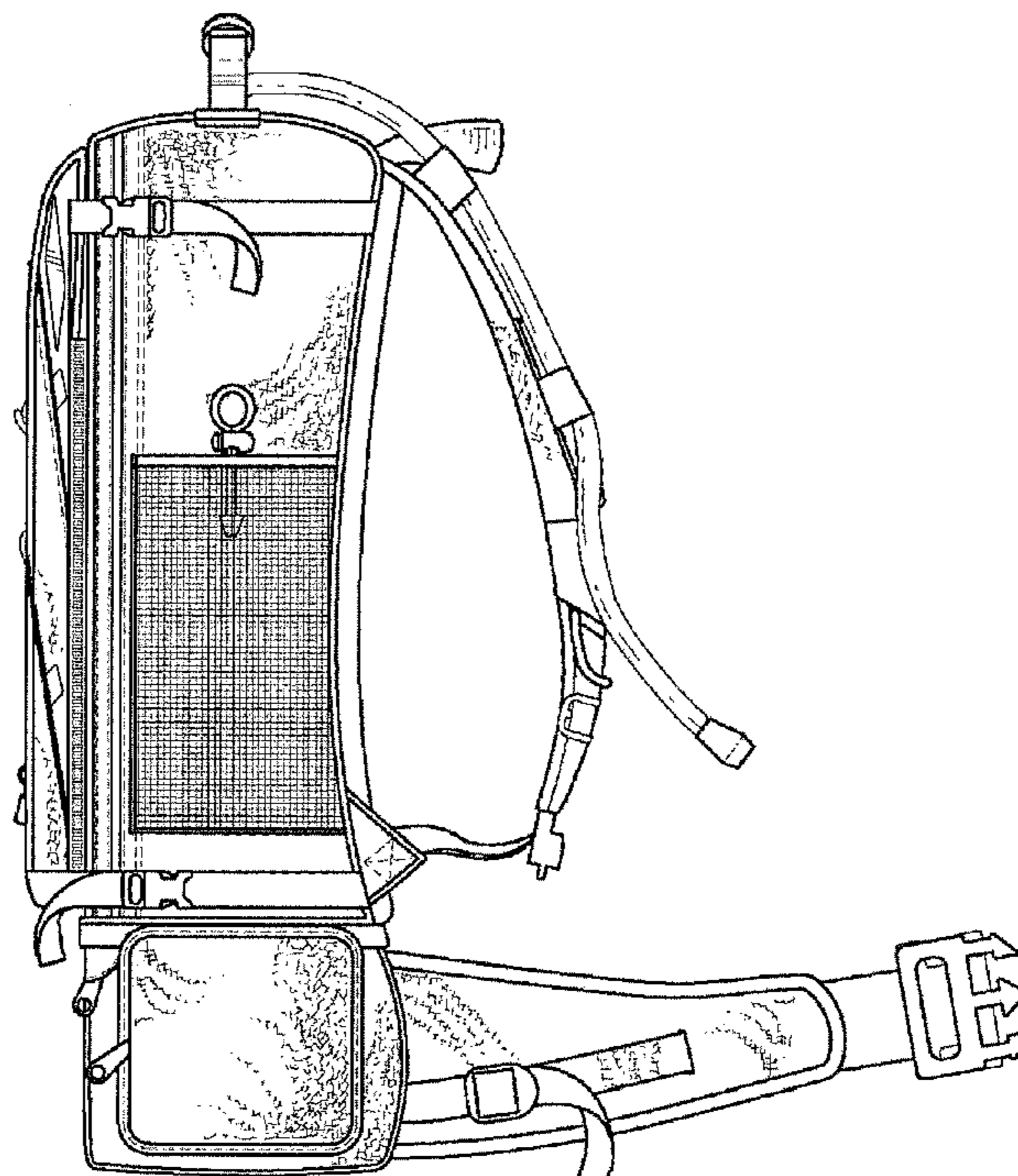
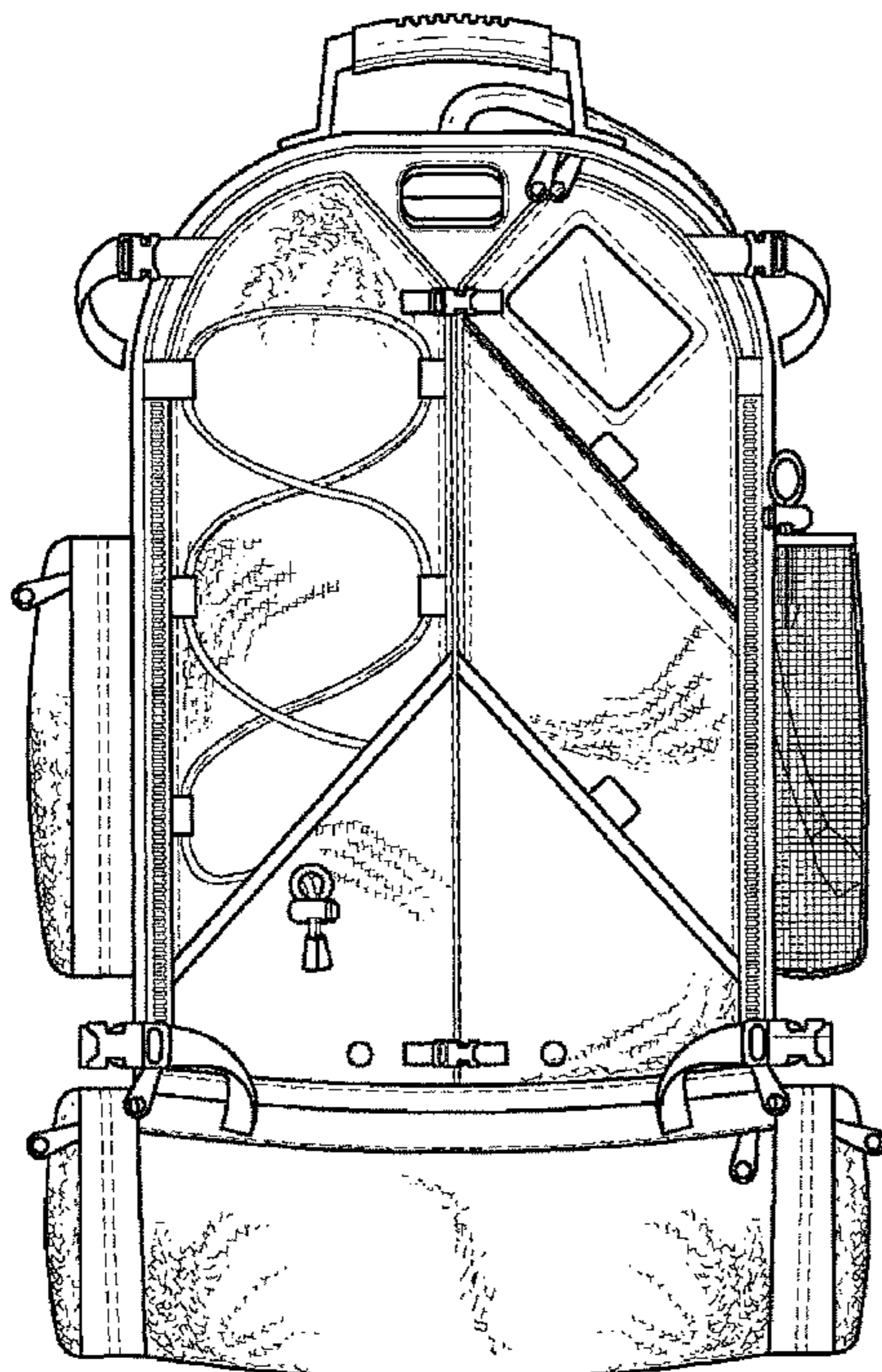
FIG. 5 is a top view of the backpack of FIG. 1; and,

FIG. 6 is a front view of the backpack of FIG. 1 with the flaps in an open configuration.

The bottom of the backpack does not form a part of this design.

The broken lines shown in the drawings are included for the purpose of illustrating environmental structures and form no part of the claimed design.

**1 Claim, 6 Drawing Sheets**



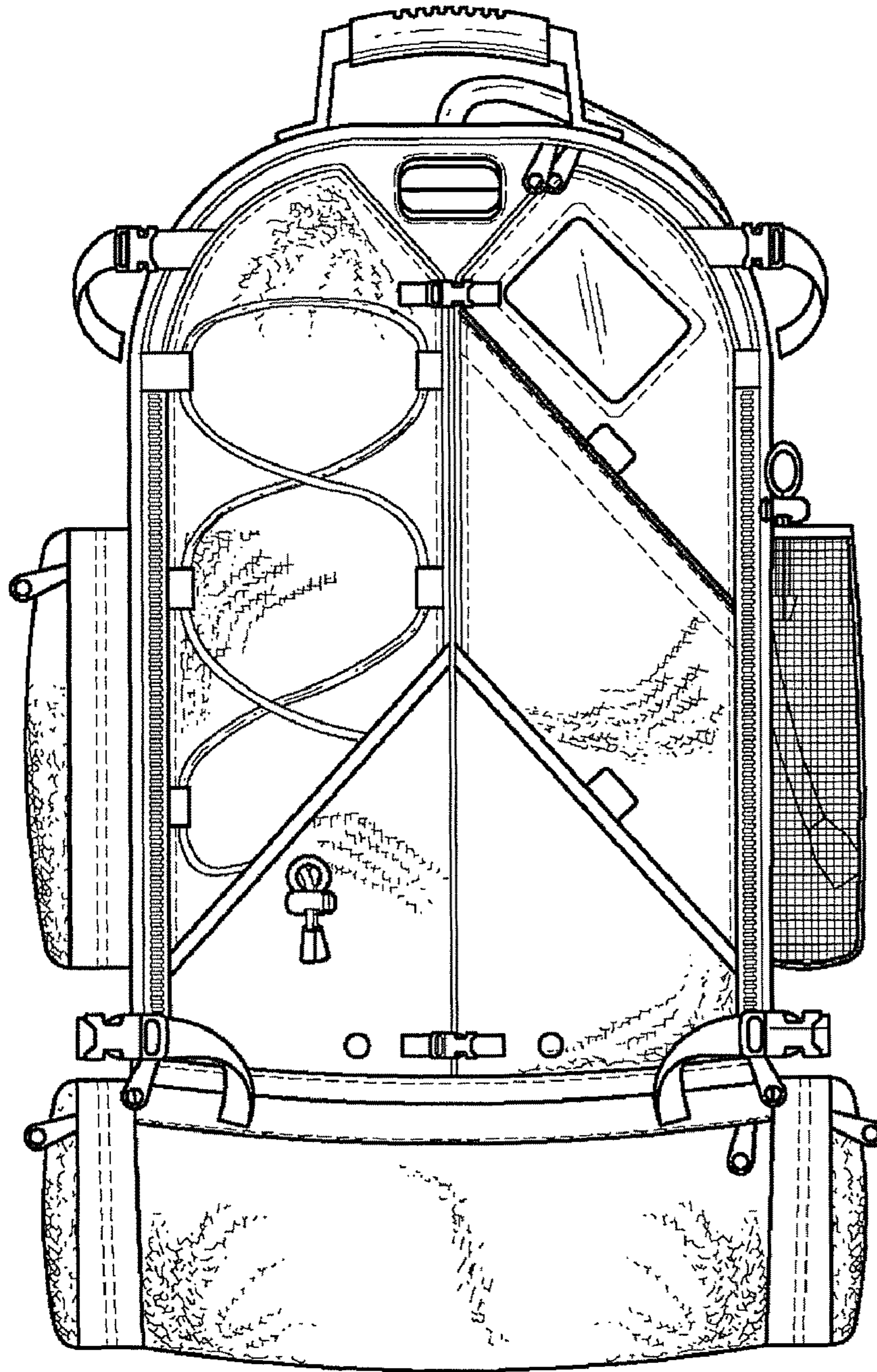


FIG. 1

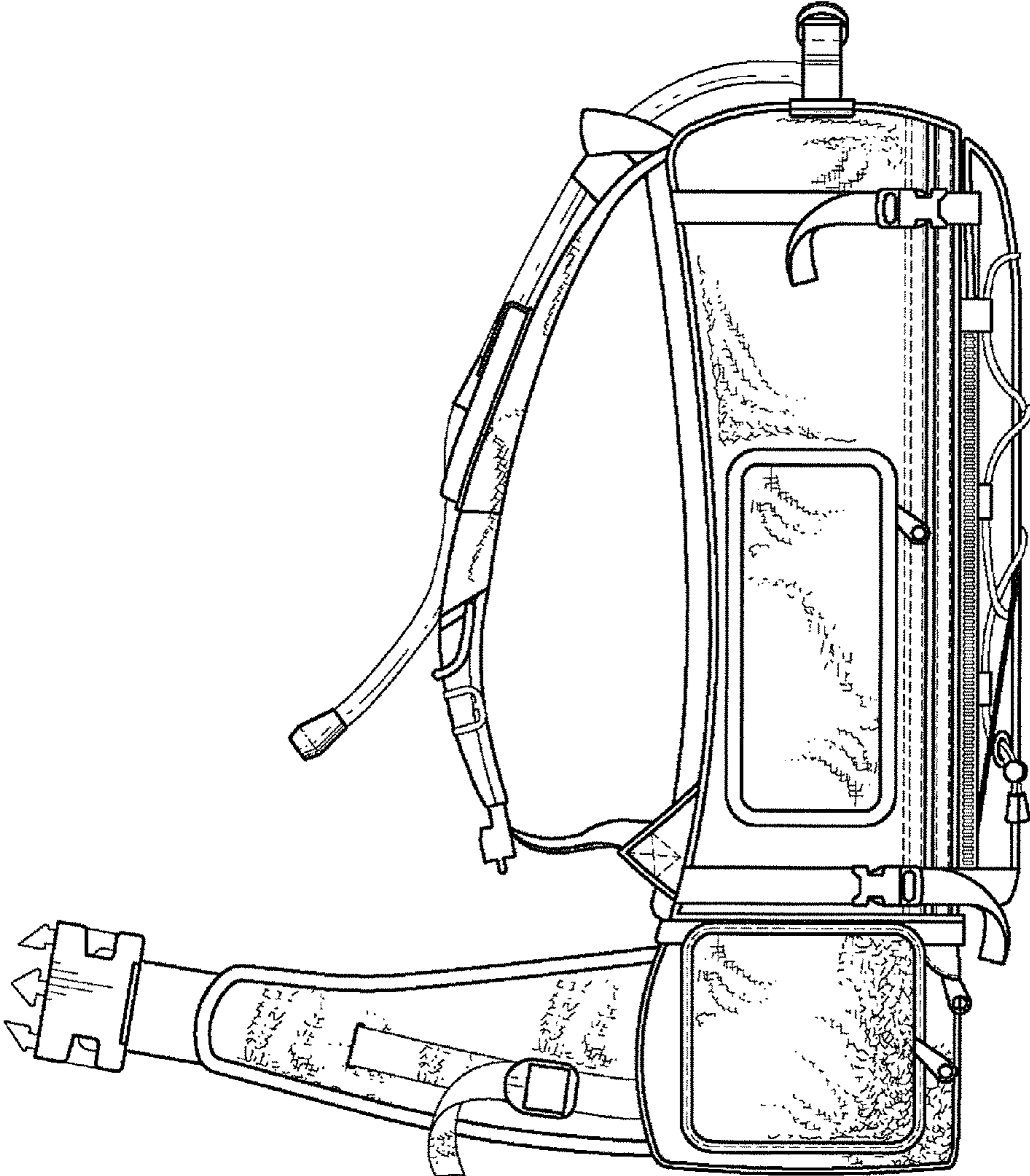


FIG. 2

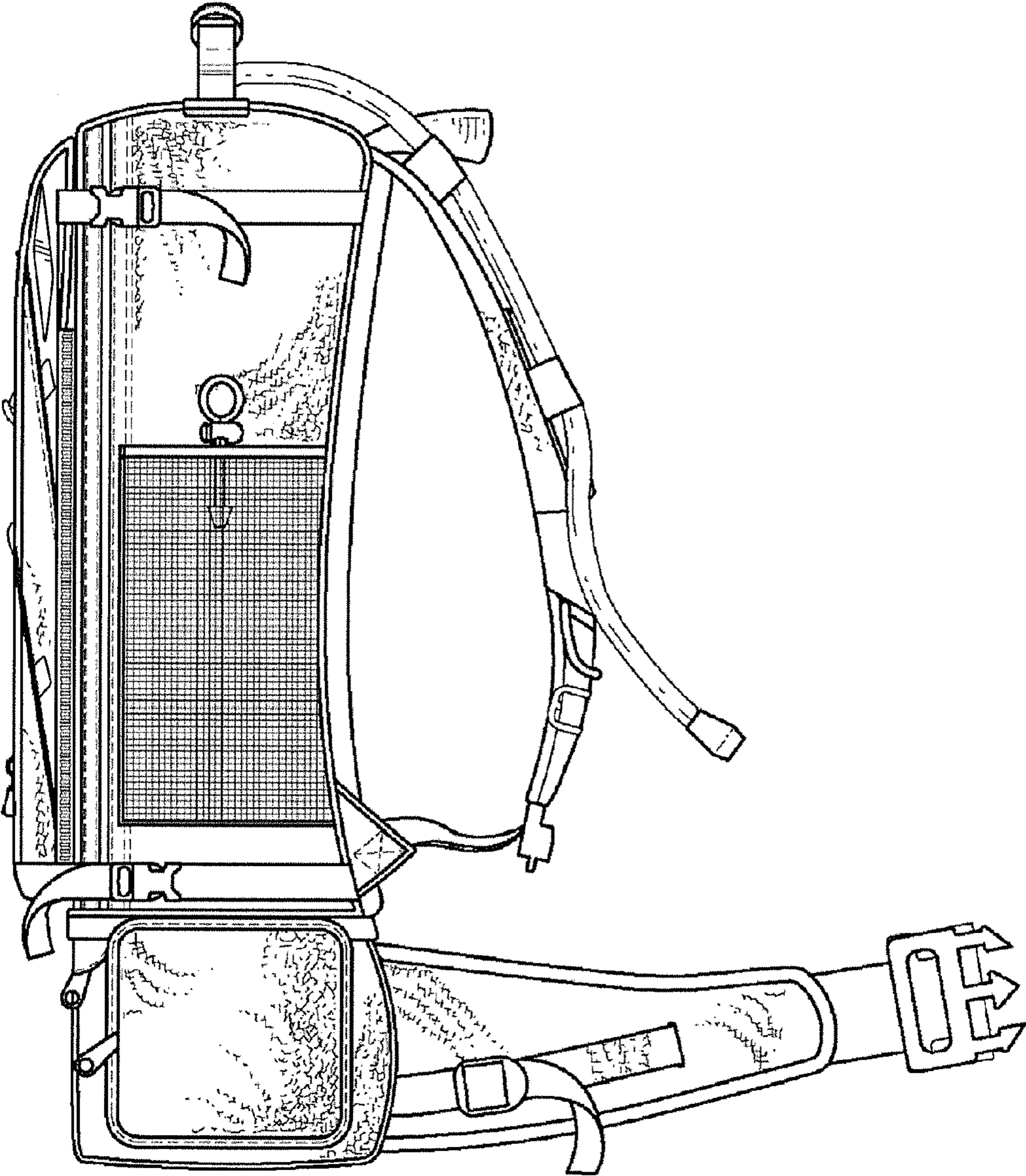


FIG. 3

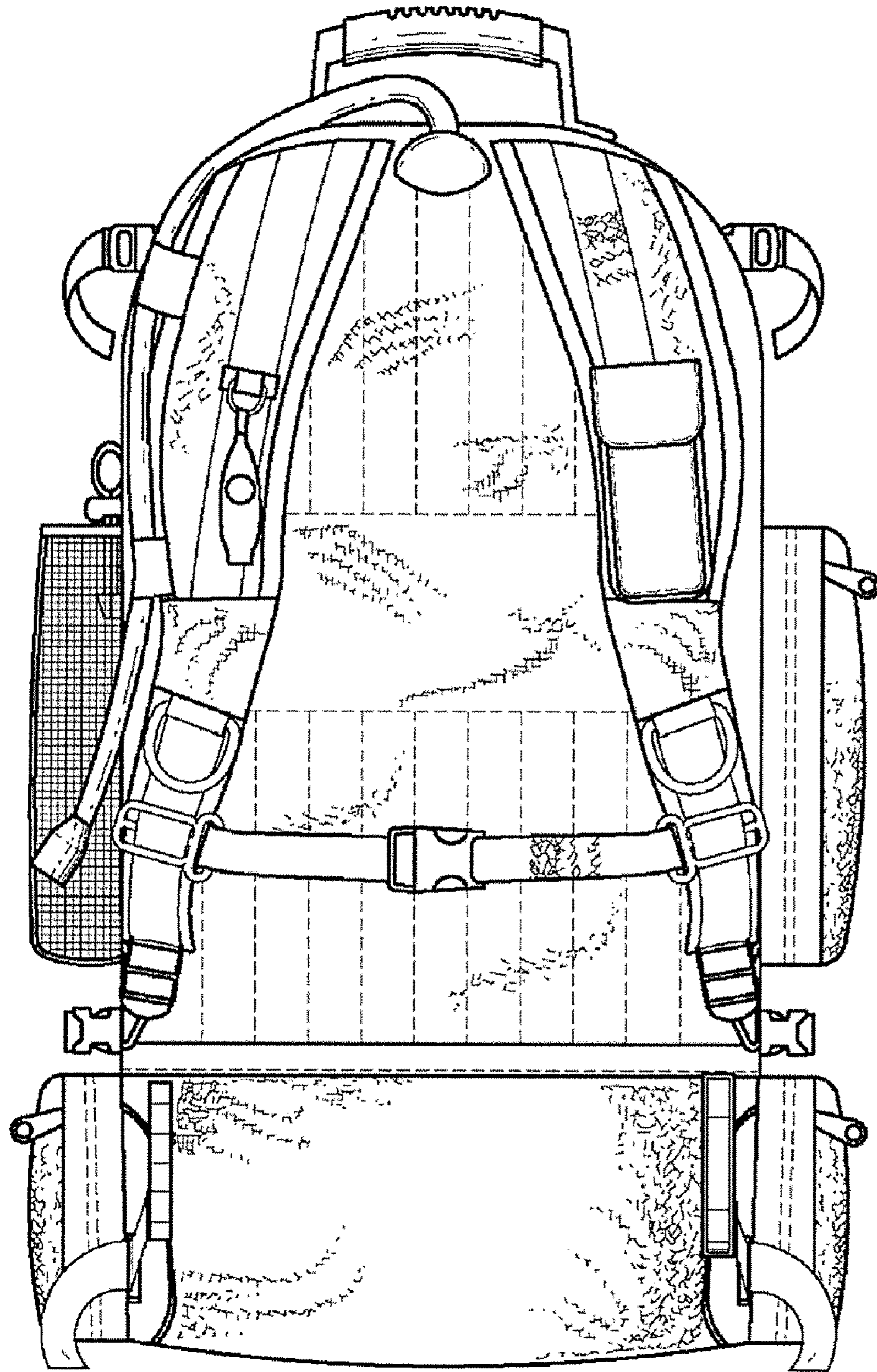


FIG. 4

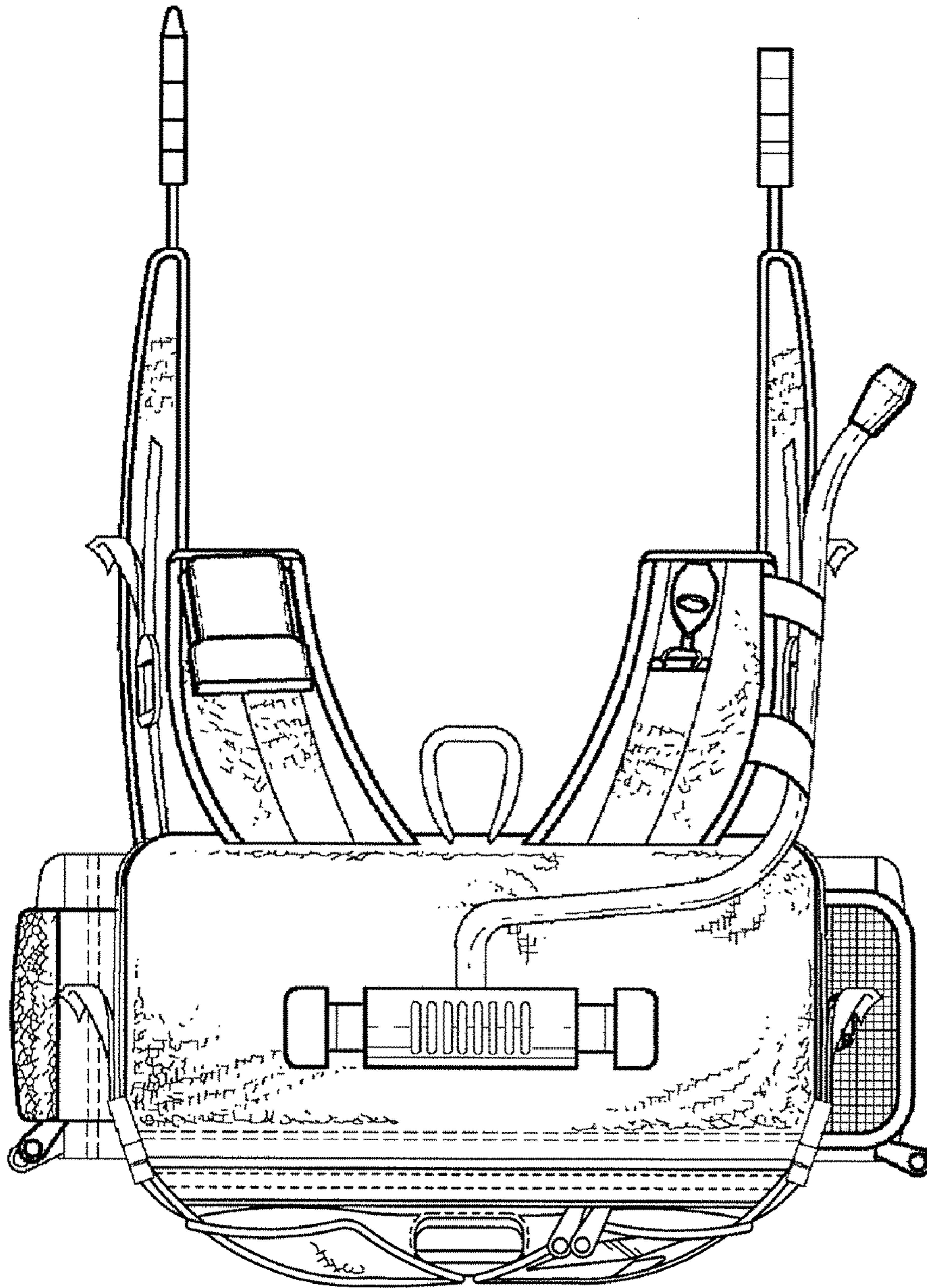


FIG. 5

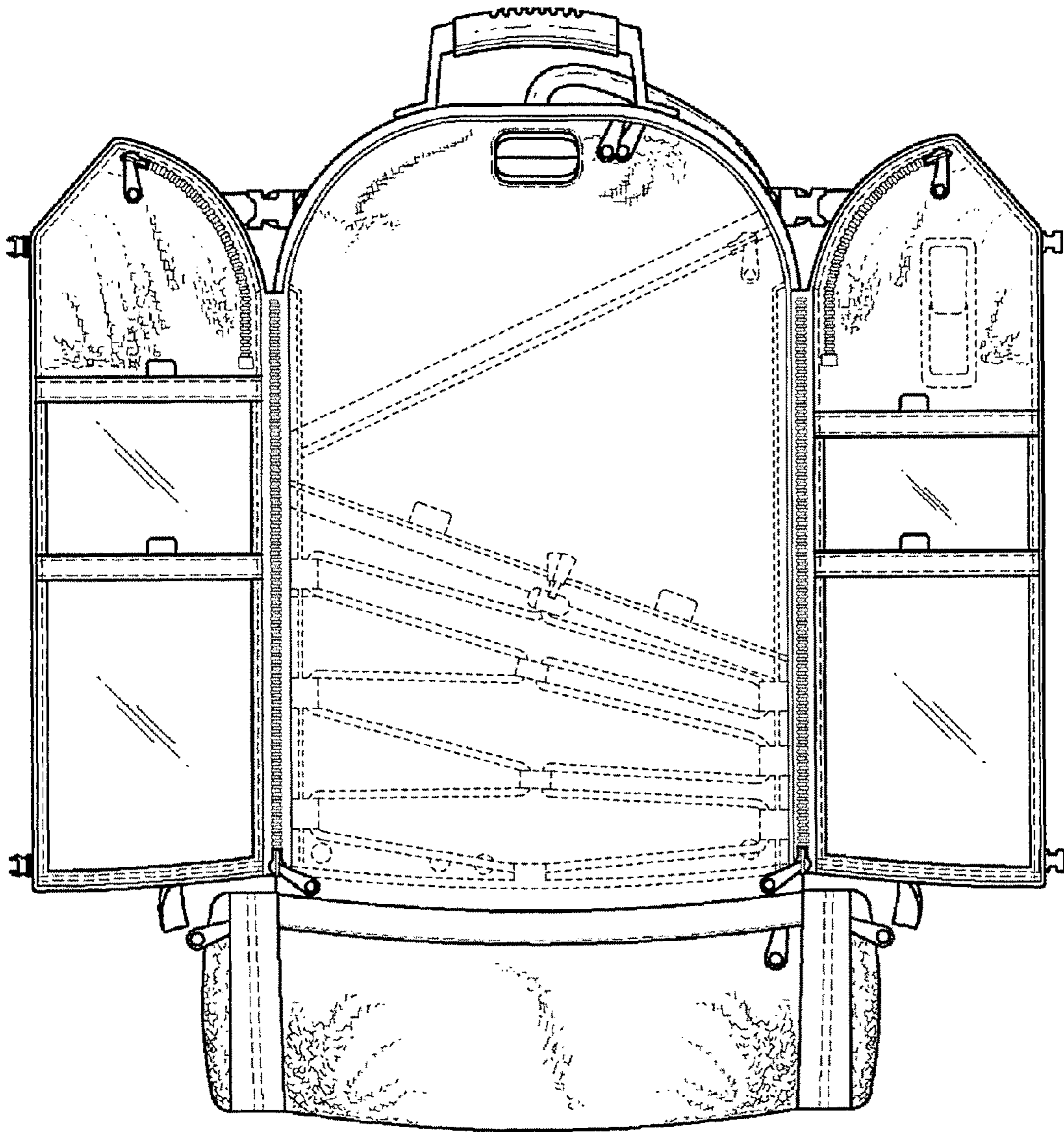


FIG. 6