



US00D650573S

(12) **United States Design Patent**
Smith

(10) **Patent No.:** **US D650,573 S**

(45) **Date of Patent:** **** Dec. 20, 2011**

(54) **SHOE UPPER**

(75) Inventor: **Mark J. Smith**, Portland, OR (US)

(73) Assignee: **NIKE, Inc.**, Beaverton, OR (US)

(**) Term: **14 Years**

(21) Appl. No.: **29/402,386**

(22) Filed: **Sep. 22, 2011**

(51) **LOC (9) Cl.** **02-99**

(52) **U.S. Cl.** **D2/972**

(58) **Field of Classification Search** D2/896,
D2/902, 906-908, 943, 944, 946, 947, 951,
D2/969, 972-974, 977; 36/45-49, 50.1,
36/77 M, 77 R, 83, 88, 113, 114, 126-131,
36/25 R-25 A

See application file for complete search history.

D595,035 S * 6/2009 Rugai D2/946
D599,995 S 9/2009 Brambilla
D604,035 S * 11/2009 Lemaster D2/972
D607,197 S * 1/2010 Chapman, Jr. D2/972
D610,339 S 2/2010 Mermet
D625,505 S 10/2010 Teteriatnikov

OTHER PUBLICATIONS

Nike Footwear Catalog, Footwear: Late Spring 1994, p. 12, published Sep. 1993, Nike, Inc., USA.

Nike Footwear Catalog, Footwear: Fall 1995, p. 23, published Nov. 1994, Nike, Inc., USA.

Nike Footwear Catalog, Men's, Women's, and Kids' Footwear: Fall 1998, p. 24, published date unknown, but prior to the filing date of the present application, Nike, Inc., USA.

Nike Footwear Catalog, Men's and Women's Footwear (red cover): Late Spring 2001, p. 81, published Sep. 2000, Nike, Inc., USA.

Nike Footwear Catalog, Men's and Women's Footwear: Holiday 2001, p. 37, published Feb. 2001, Nike, Inc., USA.

Nike Footwear Catalog, Men's, Women's, and Kids' Footwear: Late Spring 2003, p. 26, published Sep. 2002, Nike, Inc., USA.

(56) **References Cited**

U.S. PATENT DOCUMENTS

D257,185 S 10/1980 Famolare, Jr.
D258,546 S 3/1981 Famolare, Jr.
D266,455 S 10/1982 Famolare, Jr.
D330,968 S 11/1992 Smith, III
D331,493 S 12/1992 O'Rorke
D346,899 S 5/1994 Hatfield et al.
D380,291 S * 7/1997 Morris D2/972
D397,241 S 8/1998 Hatfield et al.
D417,775 S 12/1999 Holmes
D491,347 S 6/2004 Cooper
D509,651 S * 9/2005 Hansen D2/972
D517,288 S * 3/2006 Hooker D2/902
D522,733 S 6/2006 Racine
D531,792 S 11/2006 Roulo
D532,964 S * 12/2006 Kuerbis D2/972
D544,695 S 6/2007 Rasmussen
D545,555 S 7/2007 Edwards
D546,536 S 7/2007 Roulo
D563,664 S * 3/2008 Petrie D2/972
D572,460 S 7/2008 McMillan
D575,500 S * 8/2008 Laberge D2/972

(Continued)

Primary Examiner — Dominic Simone

(74) *Attorney, Agent, or Firm* — Banner & Witcoff, Ltd.

(57) **CLAIM**

The ornamental design for a shoe upper, as shown and described.

DESCRIPTION

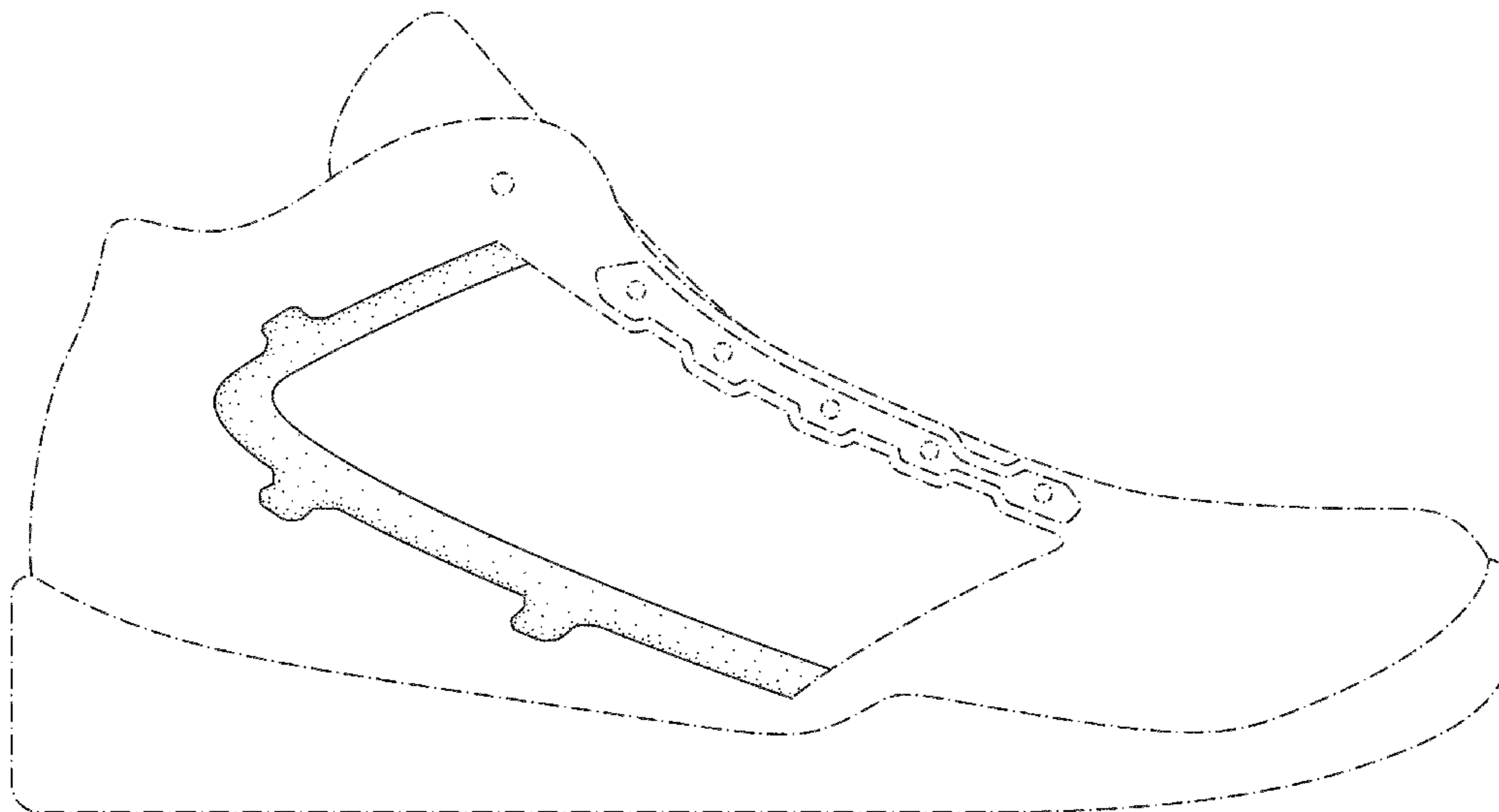
FIG. 1 is a front perspective view of a shoe upper showing my new design;

FIG. 2 is a side view thereof; and,

FIG. 3 is a rear perspective view thereof.

The broken lines immediately adjacent to the shaded area represent unclaimed boundaries of the design. The broken lines showing the remainder of the shoe are for environmental purposes only and form no part of the claimed design.

1 Claim, 3 Drawing Sheets



US D650,573 S

Page 2

OTHER PUBLICATIONS

Nike Footwear Catalog, Footwear: Spring 2007, p. 9, published Jun. 2006, Nike, Inc., USA.

Nike Footwear Catalog, Footwear: Summer 2007, p. 20, published Sep. 2006, Nike, Inc., USA.

* cited by examiner

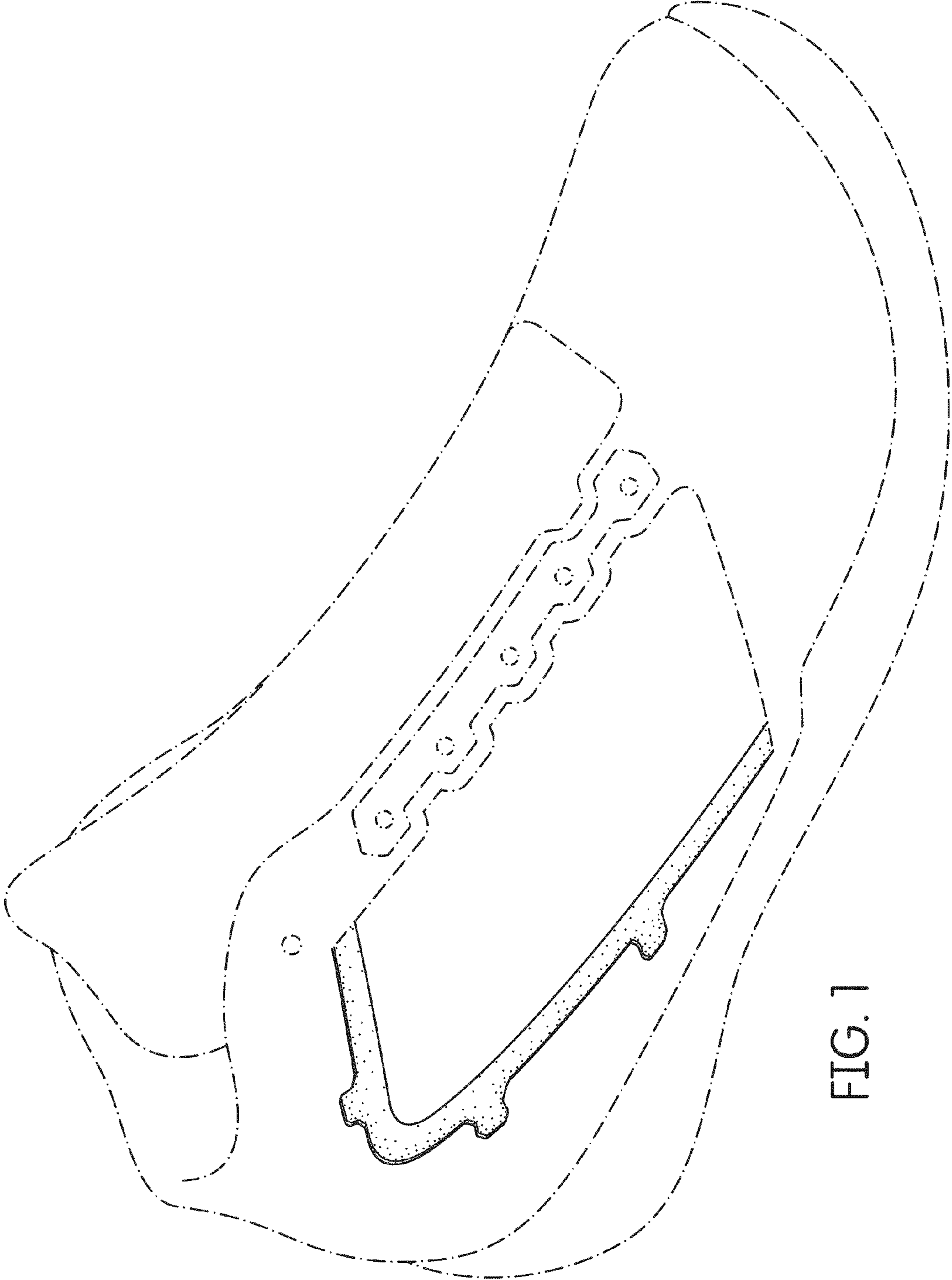


FIG. 1

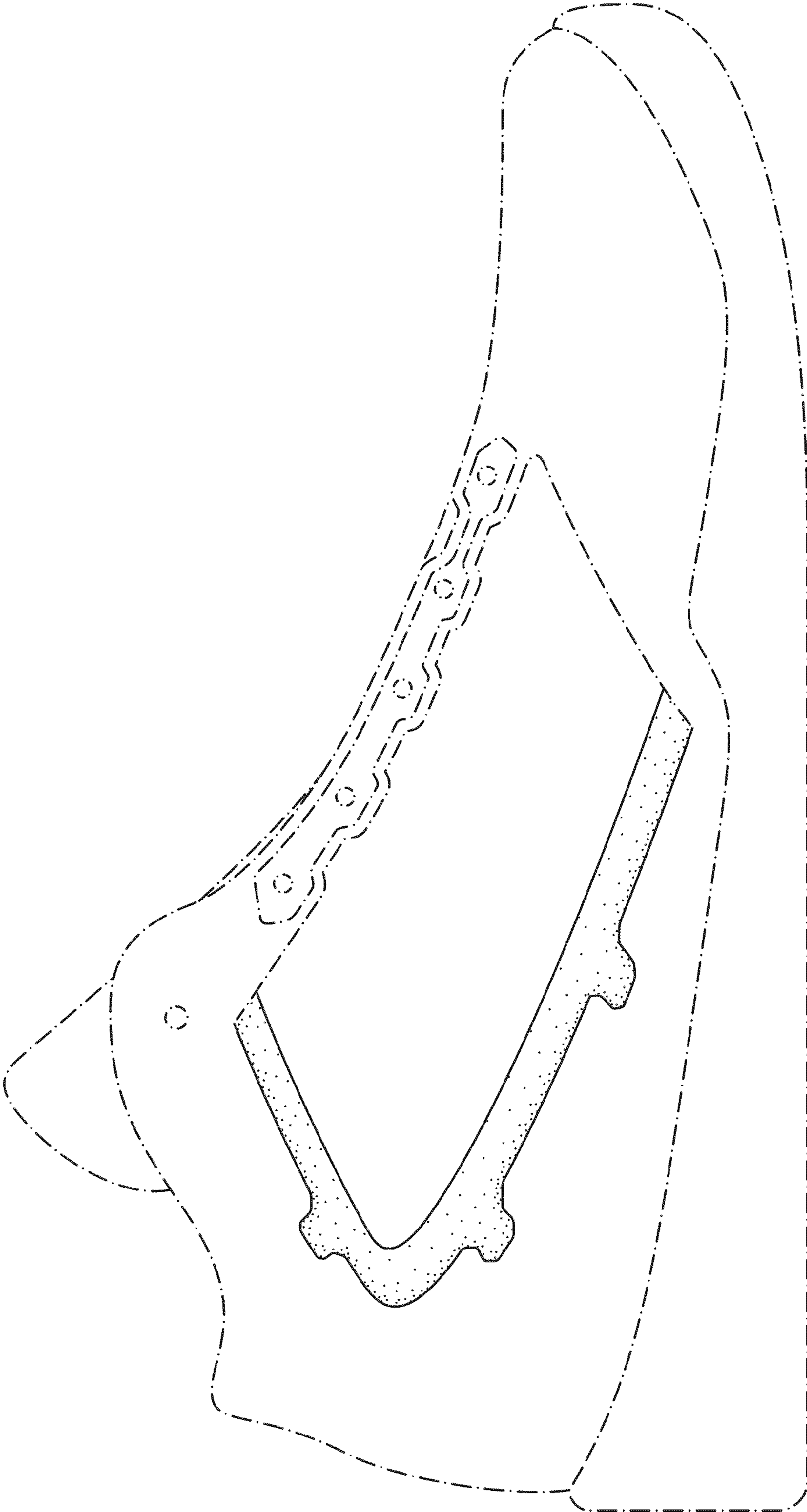


FIG. 2

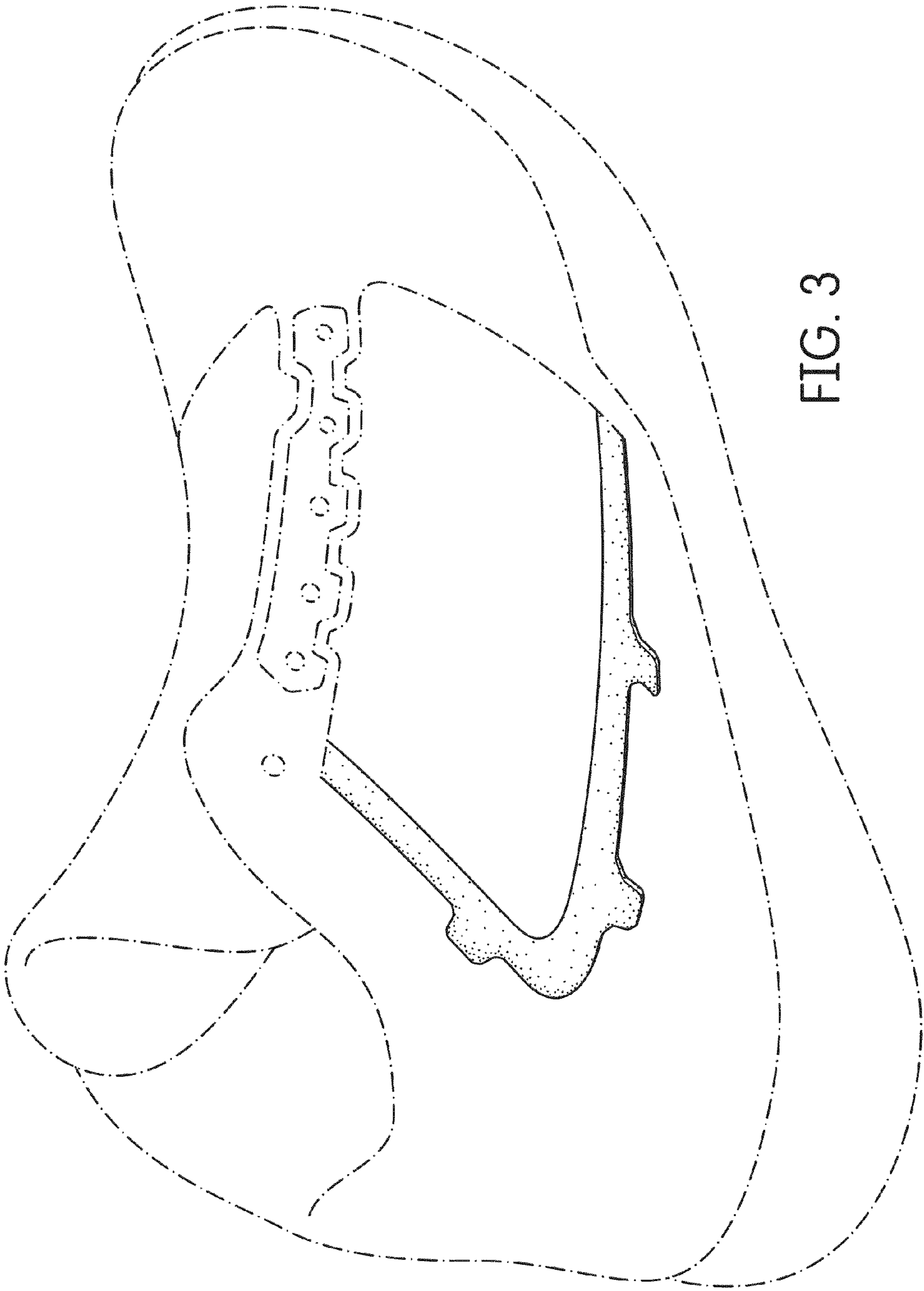


FIG. 3