



US00D650568S

(12) **United States Design Patent**
Butler

(10) **Patent No.:** **US D650,568 S**

(45) **Date of Patent:** **** Dec. 20, 2011**

(54) **FOOTWEAR UPPER**

(75) Inventor: **Damon R. Butler**, Portland, OR (US)

(73) Assignee: **Deckers Outdoor Corporation**, Goleta, CA (US)

(**) Term: **14 Years**

(21) Appl. No.: **29/394,637**

(22) Filed: **Jun. 20, 2011**

(51) **LOC (9) Cl.** **02-99**

(52) **U.S. Cl.** **D2/969; D2/916**

(58) **Field of Classification Search** D2/896,
D2/916-918, 946, 969, 971; 36/83, 112,
36/113, 136, 3 A, 7.4, 7.5, 7.6, 11.5

See application file for complete search history.

(56) **References Cited**

U.S. PATENT DOCUMENTS

D446,633 S *	8/2001	Ferris	D2/917
D514,779 S *	2/2006	Birkenstock	D2/917
D528,748 S	9/2006	Fuerst		
D550,935 S *	9/2007	Issler	D2/916
D559,505 S *	1/2008	Hearn et al.	D2/916
D575,485 S *	8/2008	Liow	D2/917
D578,279 S *	10/2008	del Biondi et al.	D2/916
D600,431 S *	9/2009	Little	D2/917

* cited by examiner

Primary Examiner — Rob M Spear

Assistant Examiner — Rashida C McCoy

(74) *Attorney, Agent, or Firm* — Greer, Burns & Crain, Ltd.

(57) **CLAIM**

The ornamental design for a footwear upper, as shown and described.

DESCRIPTION

FIG. 1 is a perspective view of a footwear upper showing my new design;

FIG. 2 is a side elevational view thereof;

FIG. 3 is an opposite side elevational view thereof;

FIG. 4 is a front elevational view thereof;

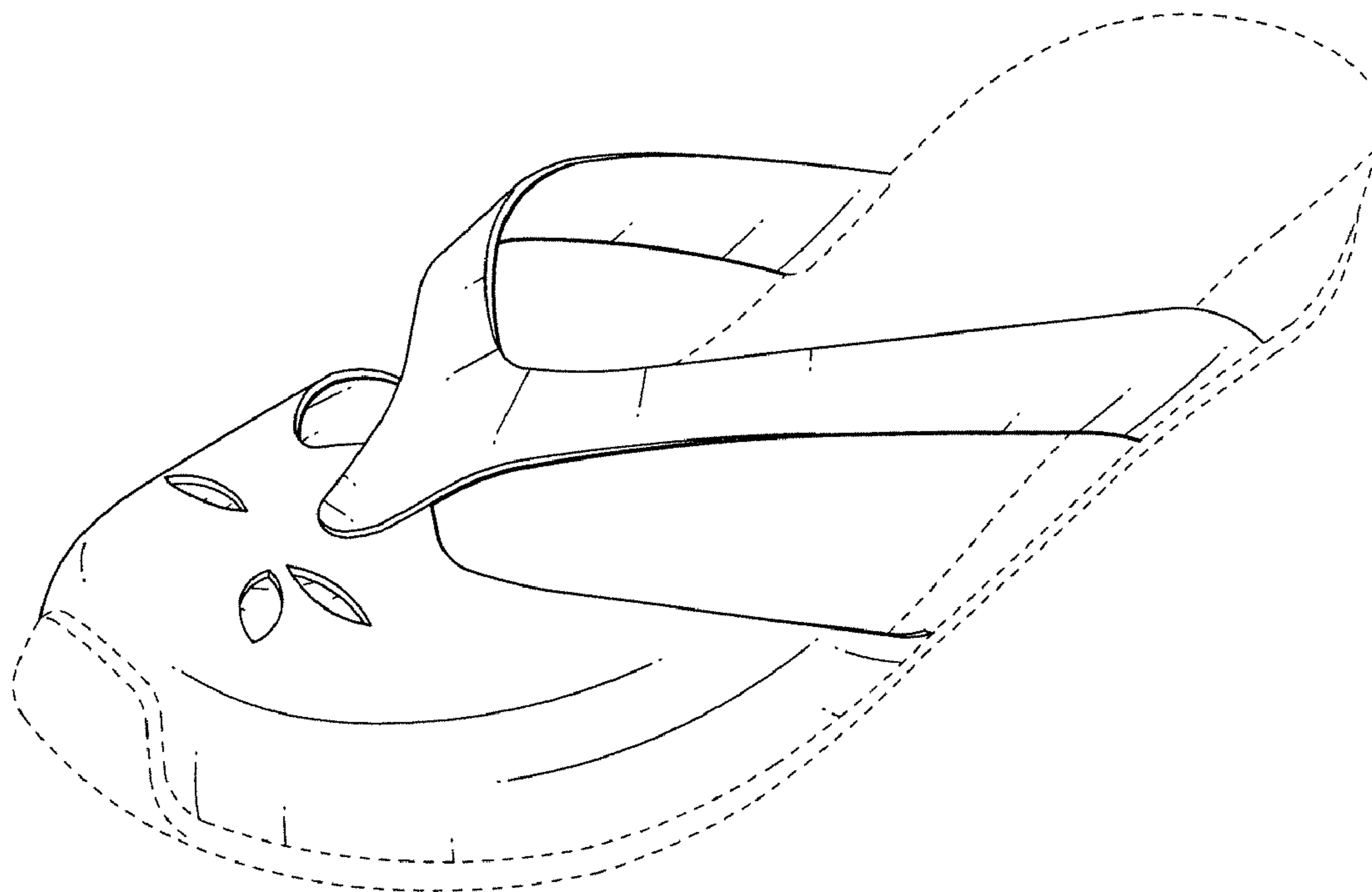
FIG. 5 is a rear elevational view thereof;

FIG. 6 is a top plan view thereof; and,

FIG. 7 is a bottom plan view thereof

The broken lines immediately adjacent to the shaded areas around the outer periphery and the central arch area of the footwear upper form the boundaries of the claimed design. Neither the broken lines nor any unshaded areas within them form any part of the claim. The broken lines showing the remainder of the footwear illustrate the environment in which the design resides, with these broken lines also forming no part of the claim.

1 Claim, 2 Drawing Sheets



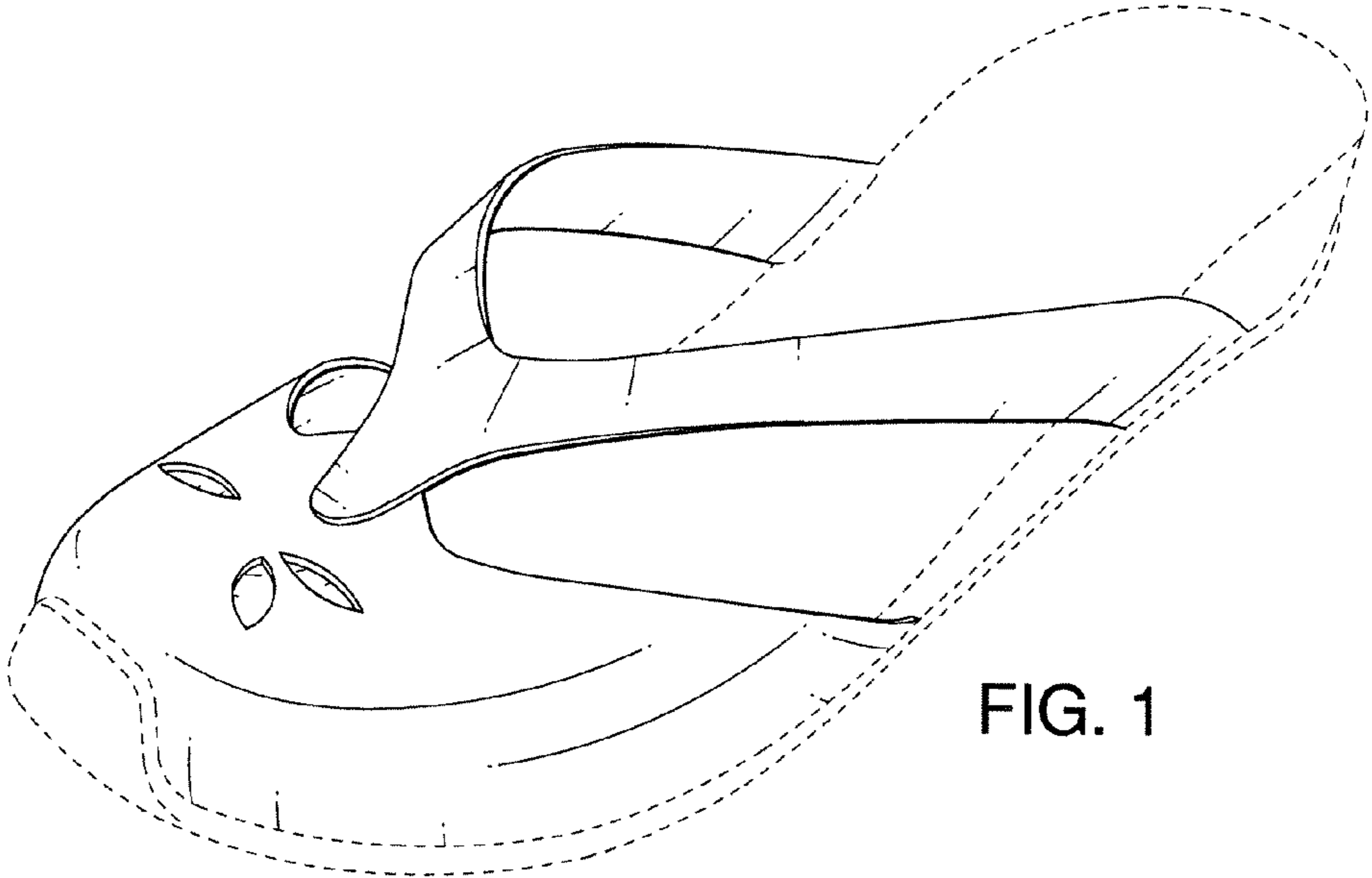


FIG. 1

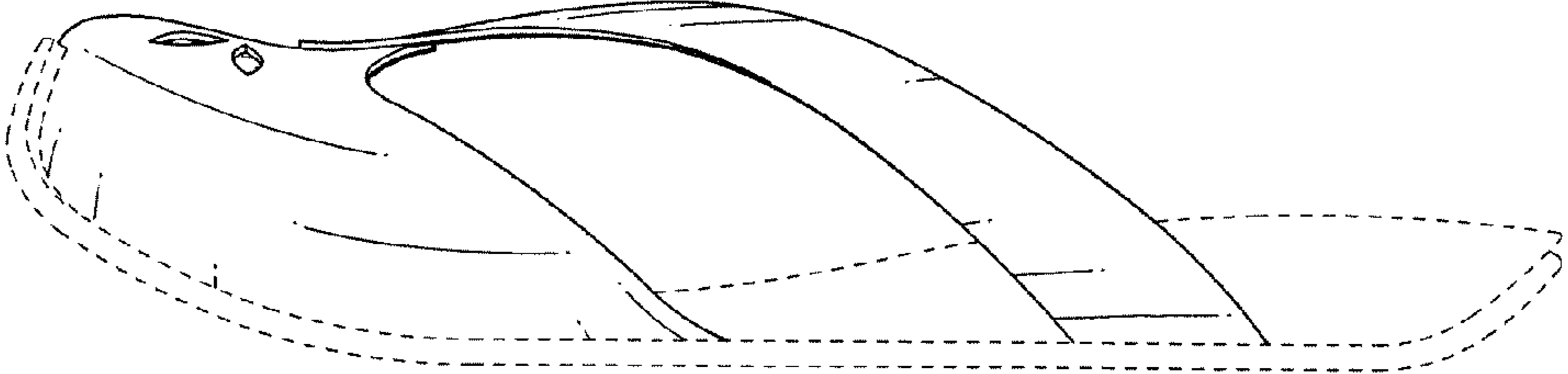


FIG. 2

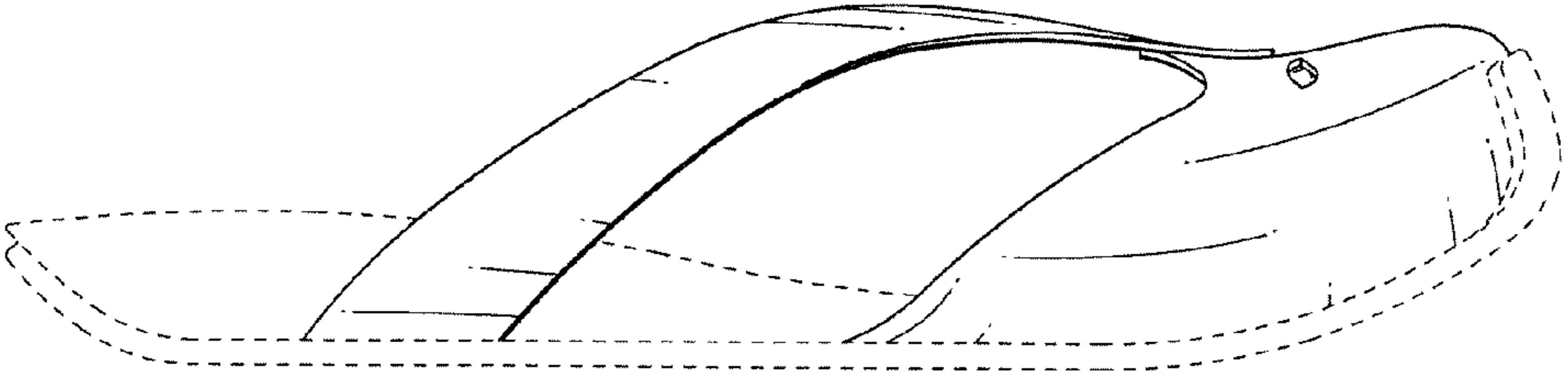


FIG. 3

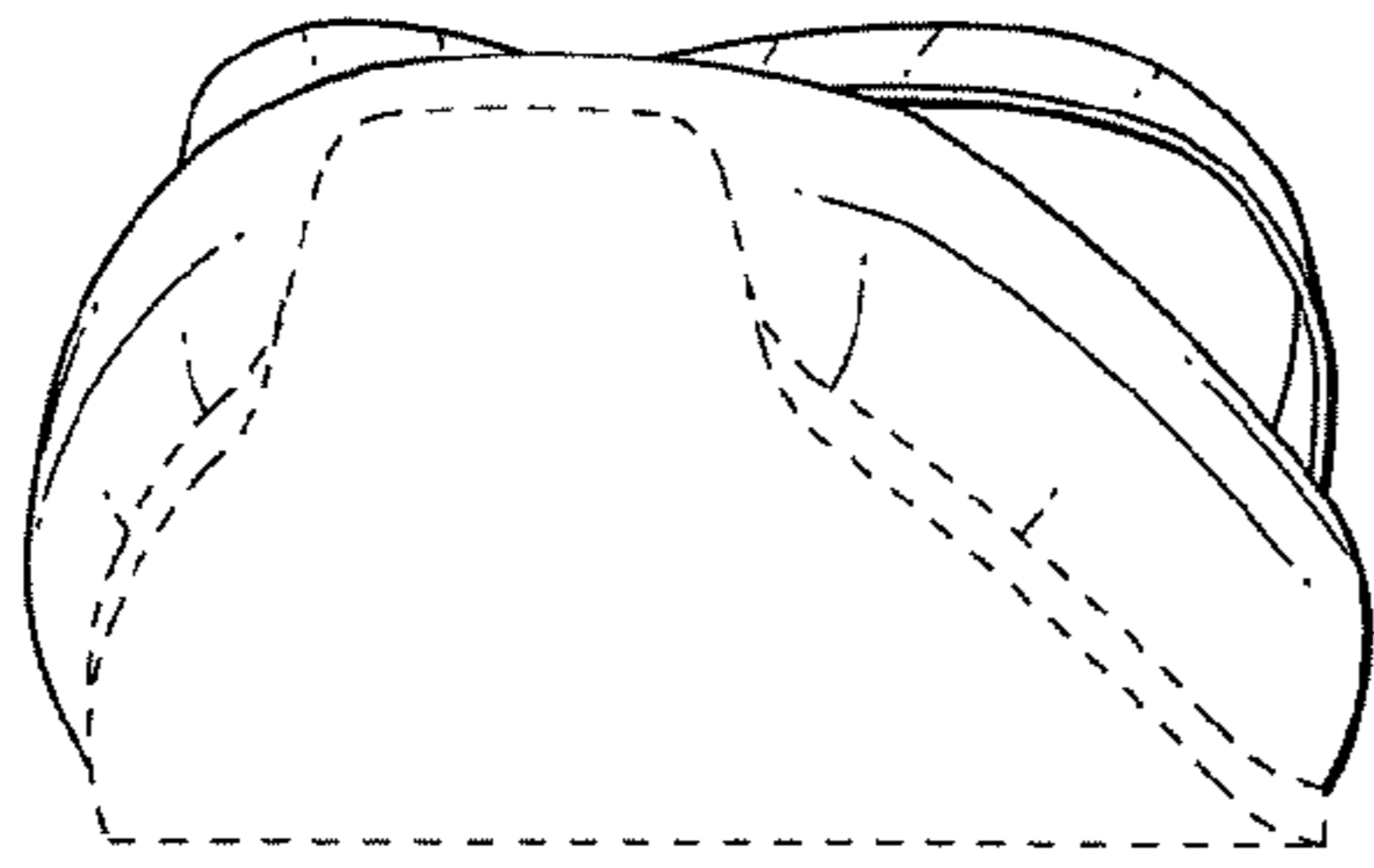


FIG. 4

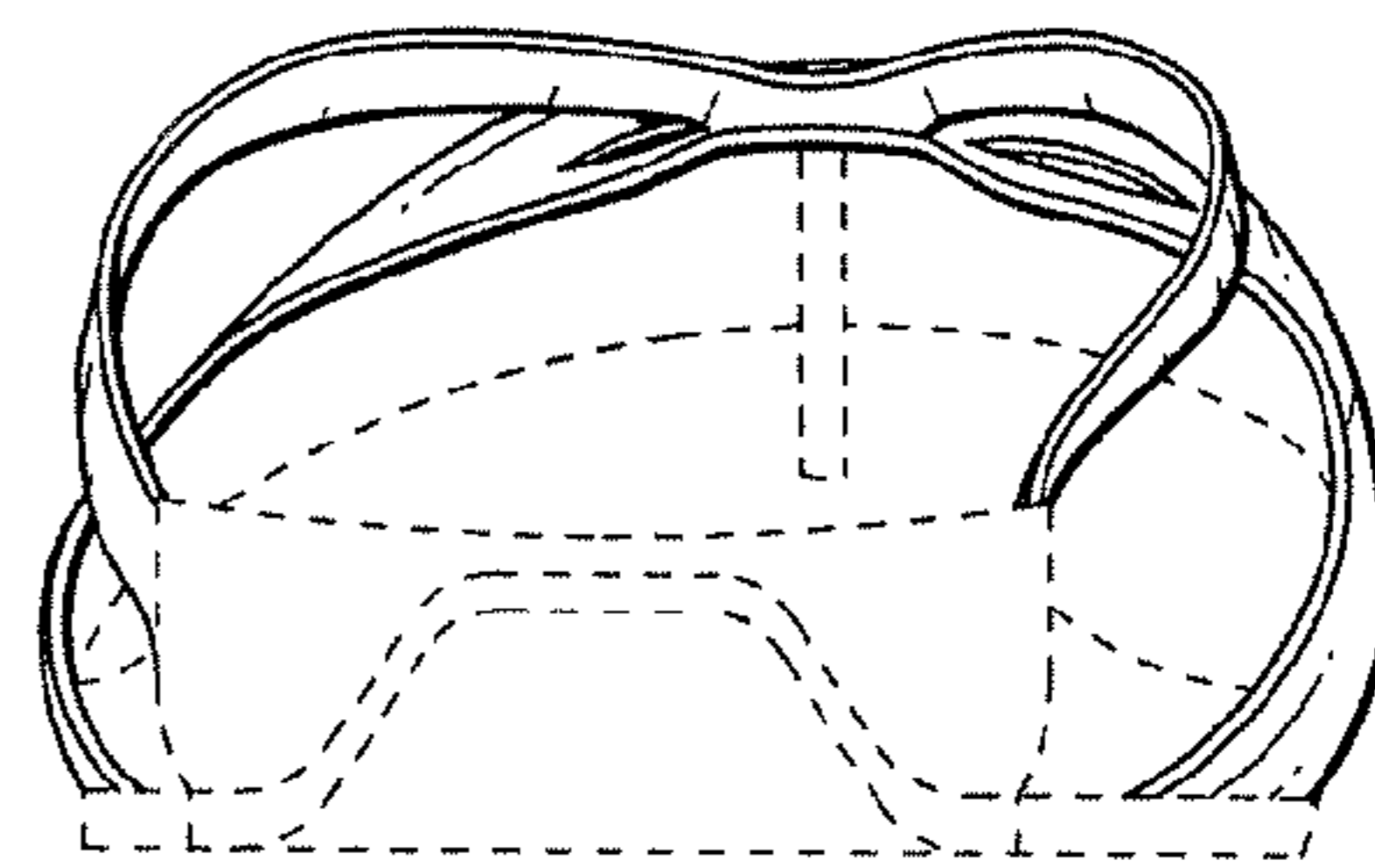


FIG. 5

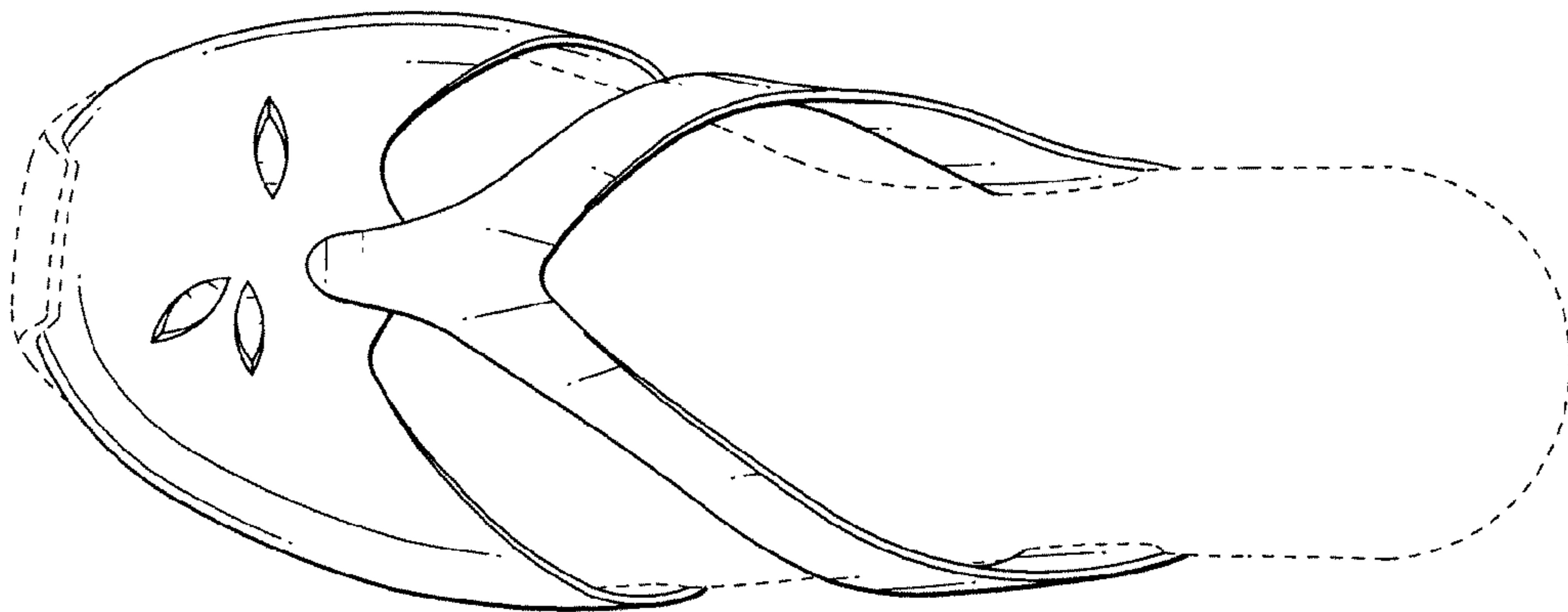


FIG. 6

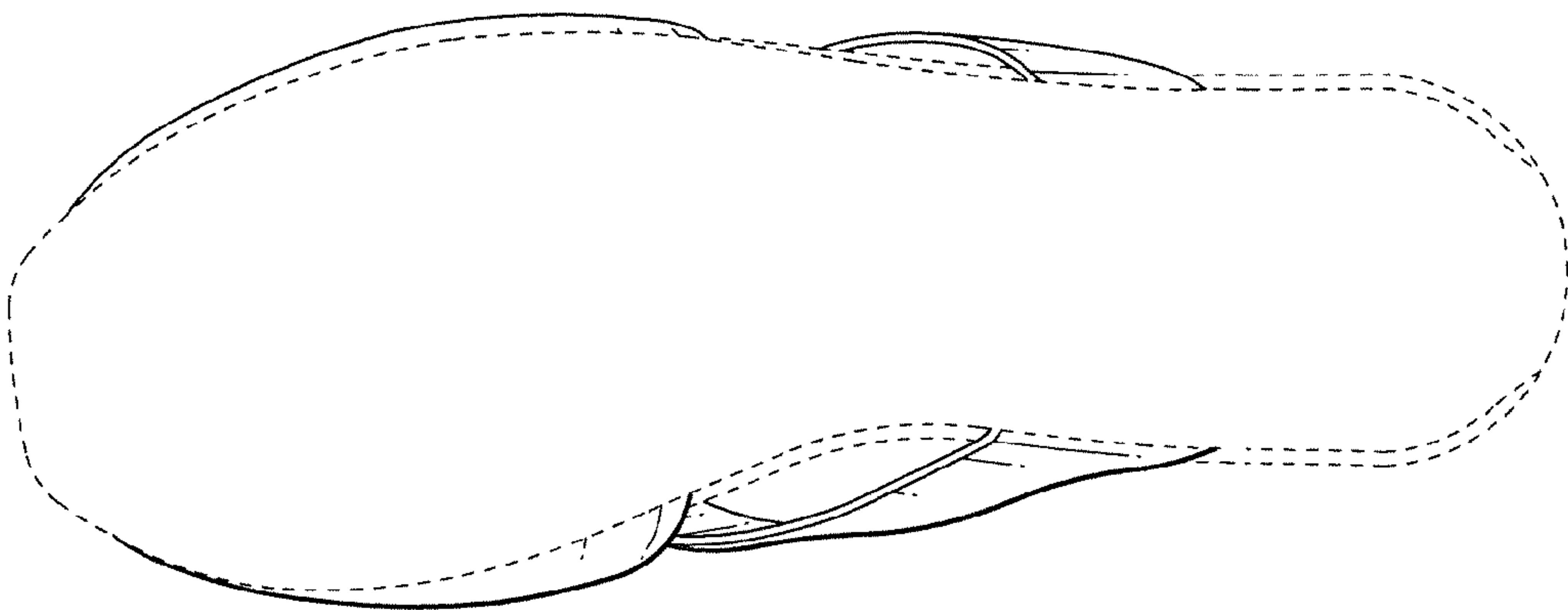


FIG. 7