



US00D650566S

(12) **United States Design Patent**  
**Yamashita et al.**

(10) **Patent No.:** **US D650,566 S**  
(45) **Date of Patent:** **\*\* Dec. 20, 2011**

(54) **SHOE**

(75) Inventors: **Hidenori Yamashita**, Kobe (JP);  
**Yoshiyuki Sankai**, Tsukuba (JP);  
**Tomohiro Hayashi**, Tsukuba (JP);  
**Takashi Okamoto**, Kobe (JP)

(73) Assignees: **ASICS Corporation**, Kobe (JP);  
**University of Tsukuba**, Ibaraki (JP);  
**Cyberdyne Inc.**, Ibaraki (JP)

(\*\*) Term: **14 Years**

(21) Appl. No.: **29/366,875**

(22) Filed: **Jul. 30, 2010**

(30) **Foreign Application Priority Data**

May 7, 2010 (JP) ..... 2010-011120

(51) **LOC (9) Cl.** ..... **02-04**

(52) **U.S. Cl.** ..... **D2/951**

(58) **Field of Classification Search** ..... D2/902,  
D2/906, 908, 916, 918, 925, 946, 947, 951-962,  
D2/977; 36/3 B, 22 R, 24.5, 25 R, 28, 32 R,  
36/34 R, 59 C, 67 A, 103  
See application file for complete search history.

(56) **References Cited**

**U.S. PATENT DOCUMENTS**

D259,595 S *	6/1981	Famolare, Jr. ....	D2/955
5,371,957 A *	12/1994	Gaudio ..... ..	36/50.1
D429,062 S *	8/2000	Santa ..... ..	D2/954
D472,038 S *	3/2003	Meynard ..... ..	D2/956
D495,473 S *	9/2004	Magro et al. ....	D2/916
D499,237 S *	12/2004	Dal Magro et al. ....	D2/916
D521,715 S *	5/2006	Lotti ..... ..	D2/957
D554,339 S *	11/2007	Reina et al. ....	D2/960

D560,335 S *	1/2008	Turner et al. ....	D2/959
D560,336 S *	1/2008	Nakashima ..... ..	D2/959
D564,740 S *	3/2008	Matis et al. ....	D2/957
D571,988 S *	7/2008	Dillenbeck ..... ..	D2/960
D574,585 S *	8/2008	Wilken ..... ..	D2/960
D580,139 S *	11/2008	McClaskie ..... ..	D2/953
D594,638 S *	6/2009	Butler ..... ..	D2/952
D608,991 S *	2/2010	Lamont ..... ..	D2/951
D614,840 S *	5/2010	Hogan ..... ..	D2/956
D614,841 S *	5/2010	Hogan ..... ..	D2/956
2010/0107448 A1 *	5/2010	Fallow et al. ....	36/103

\* cited by examiner

*Primary Examiner* — T. Chase Nelson

(74) *Attorney, Agent, or Firm* — Mintz, Levin, Cohn, Ferris,  
Glovsky and Popeo, P.C

(57) **CLAIM**

The ornamental design for the shoe, as shown and described.

**DESCRIPTION**

FIG. 1 is a rear perspective view from one side of the shoe showing our new design;

FIG. 2 is a rear perspective view thereof from the opposite side;

FIG. 3 is a side view thereof;

FIG. 4 is a side view thereof from the opposite side;

FIG. 5 is a top plan view thereof;

FIG. 6 is a bottom plan view thereof;

FIG. 7 is a rear view thereof;

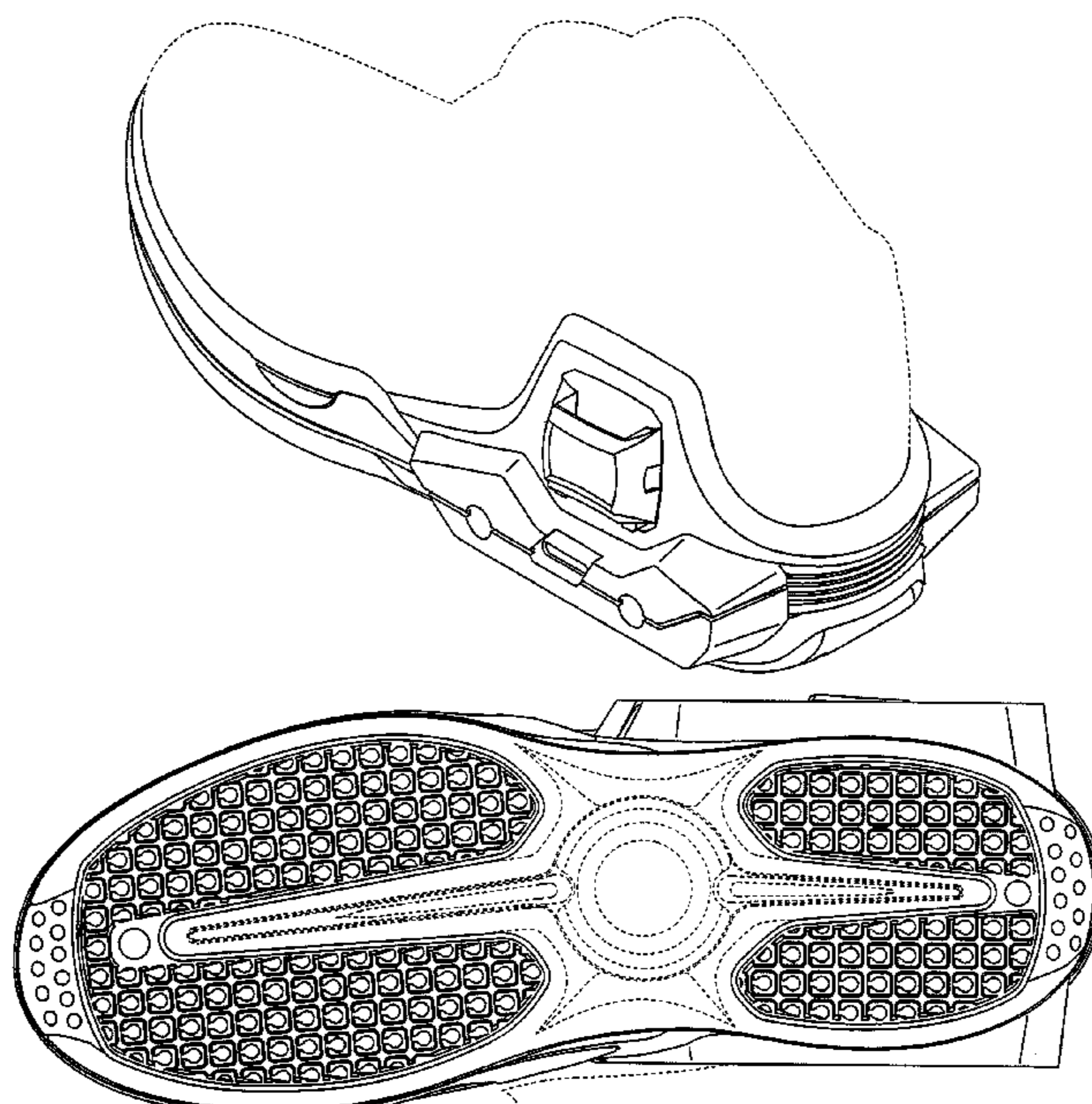
FIG. 8 is a front view thereof;

FIG. 9 is an enlarged fragmentary rear perspective view thereof, from one side; and,

FIG. 10 is an enlarged fragmentary a rear perspective view thereof, from the opposite side.

The broken line portions in the drawings are shown for illustrative purposes only and form no part of the claimed design.

**1 Claim, 9 Drawing Sheets**



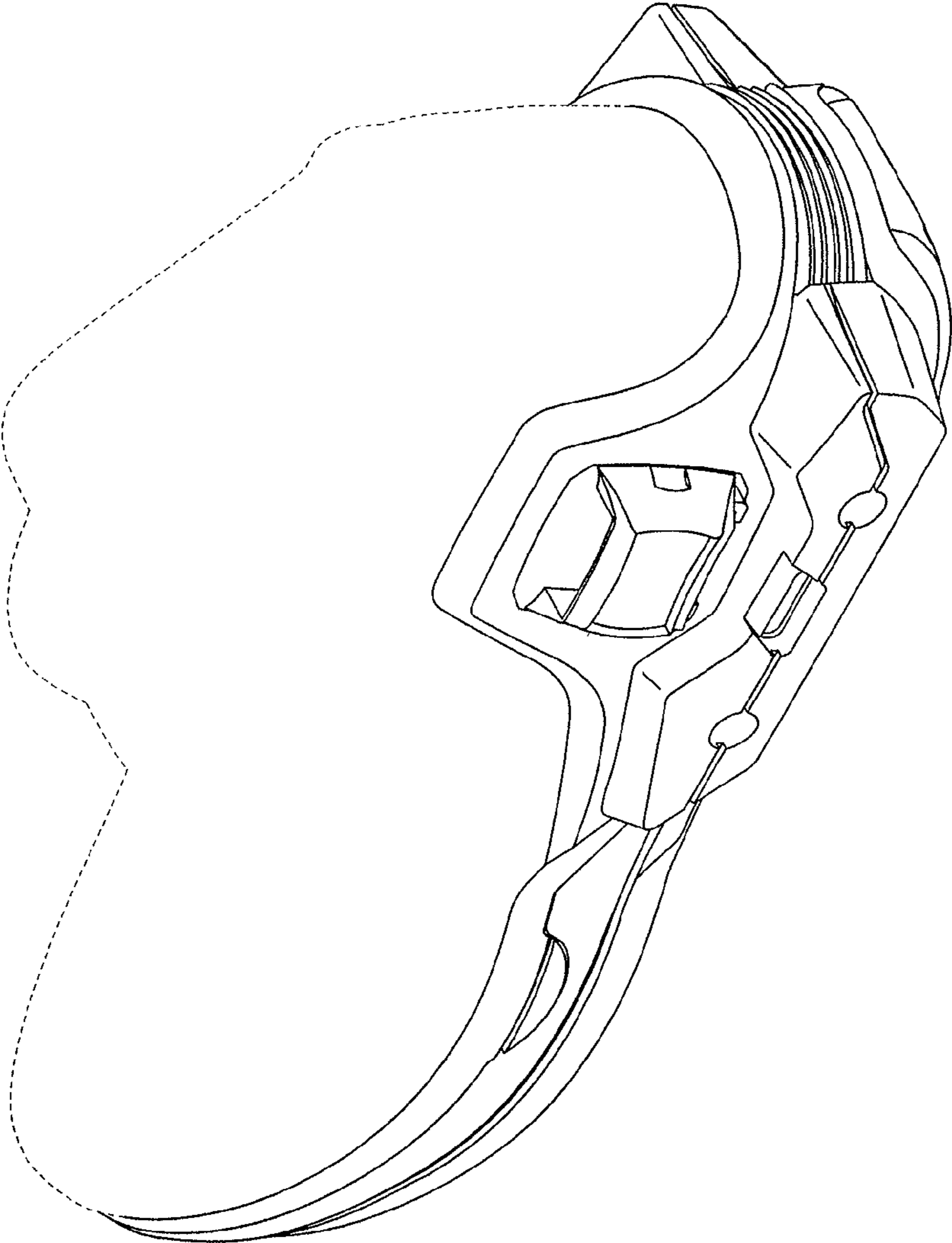
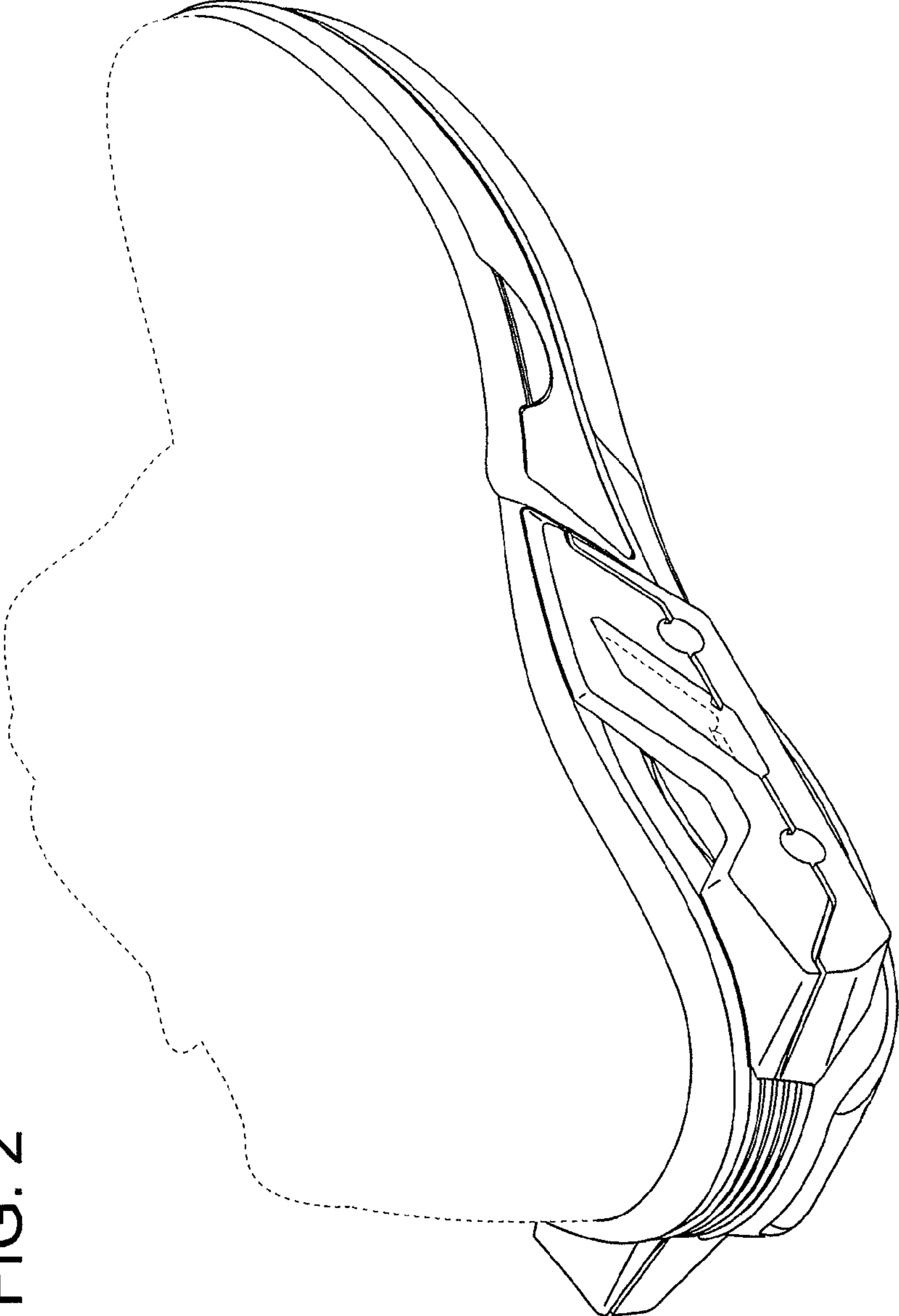


FIG. 1

FIG. 2



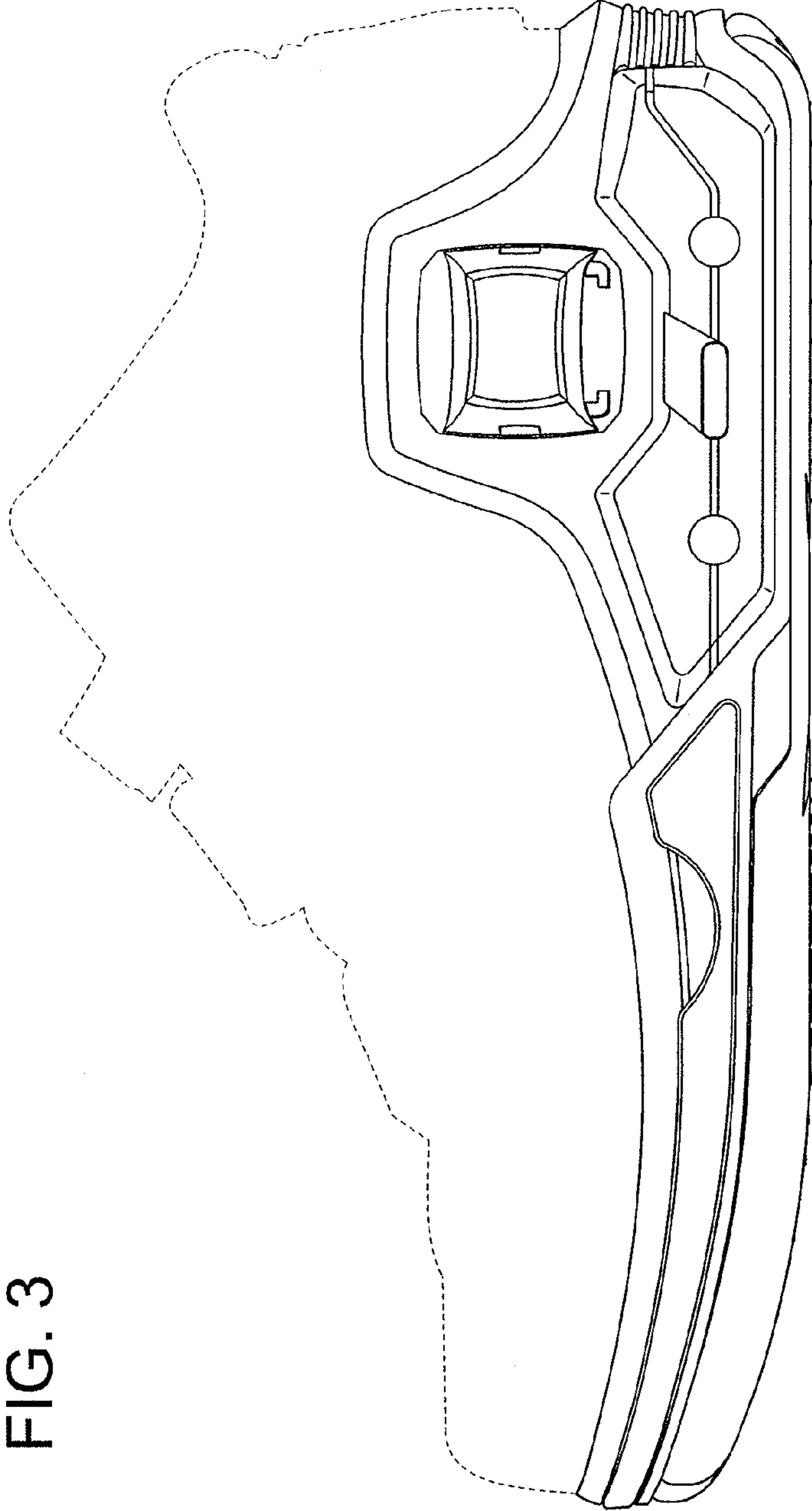


FIG. 3

FIG. 4

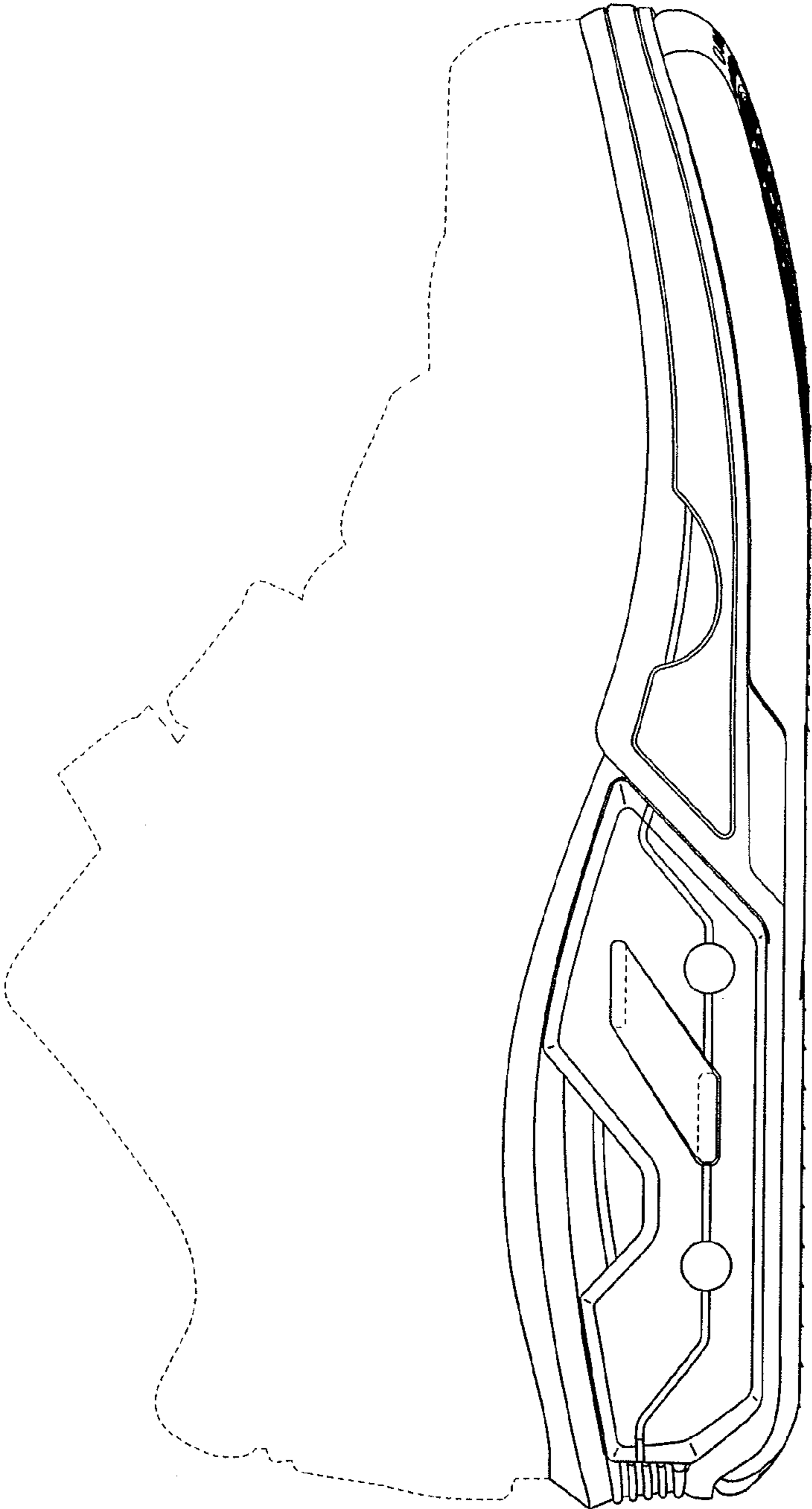


FIG. 5

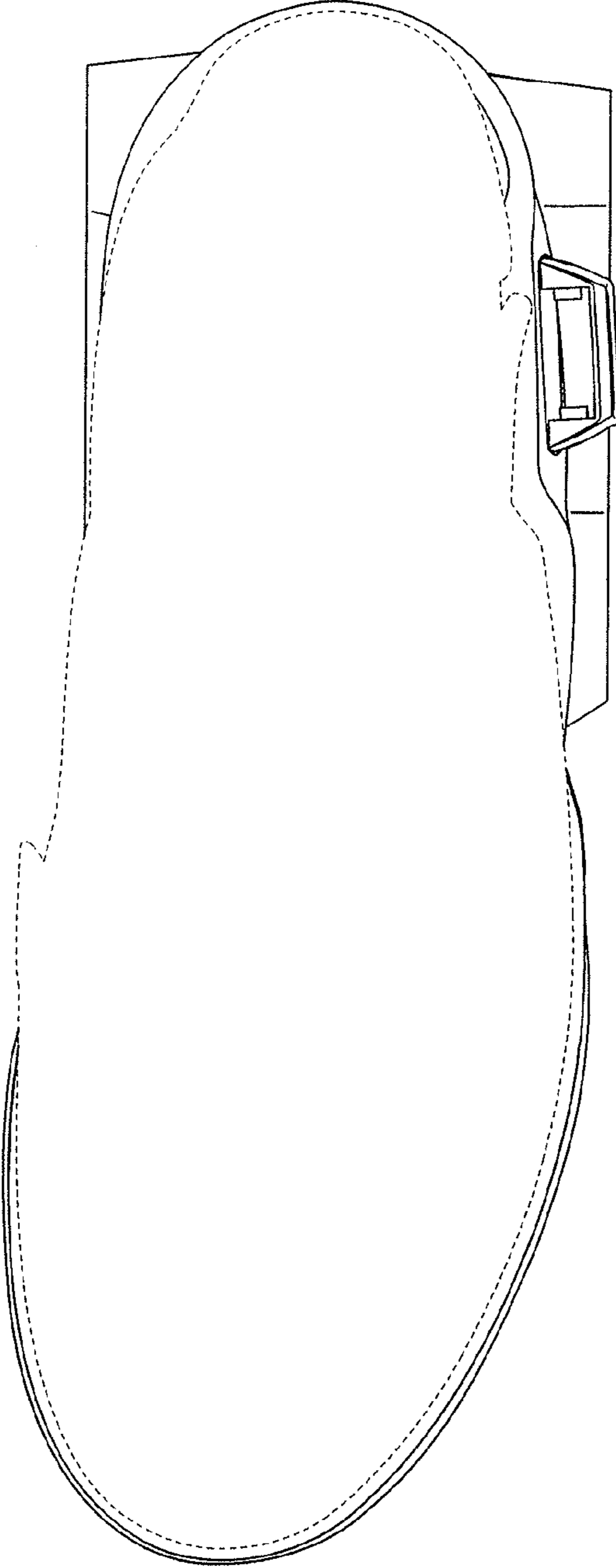
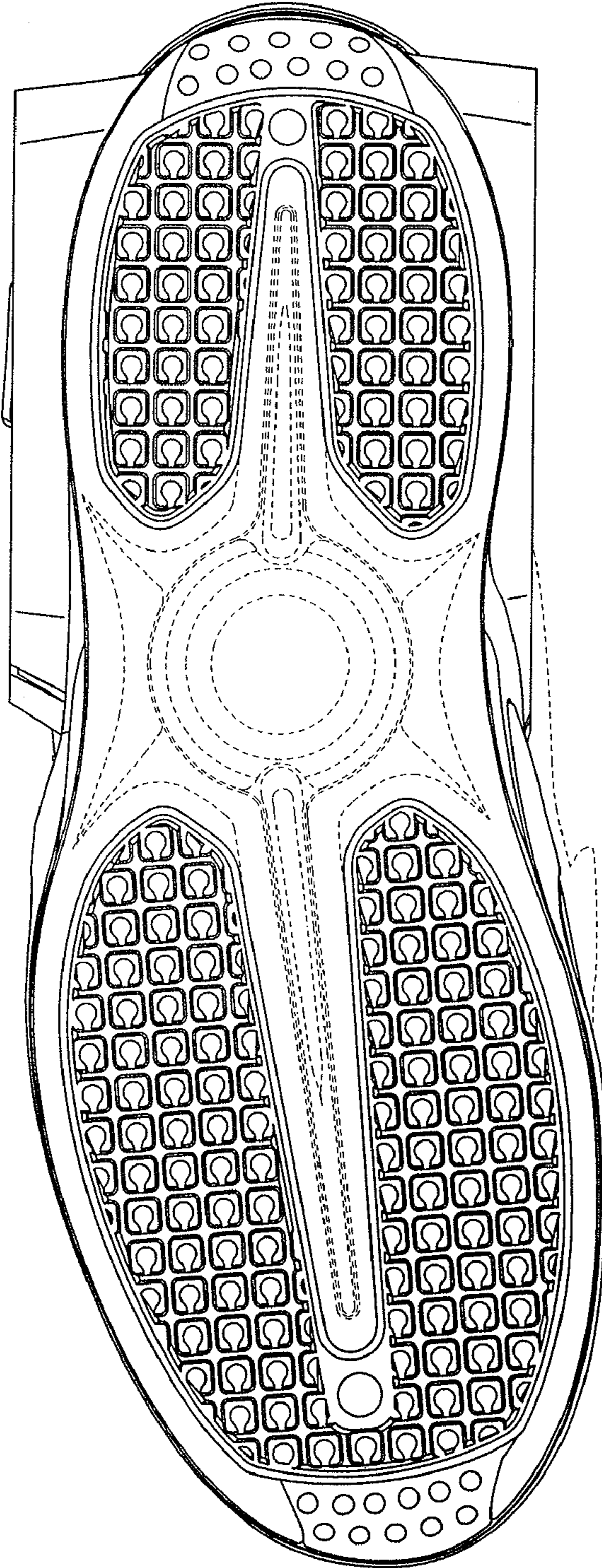


FIG. 6



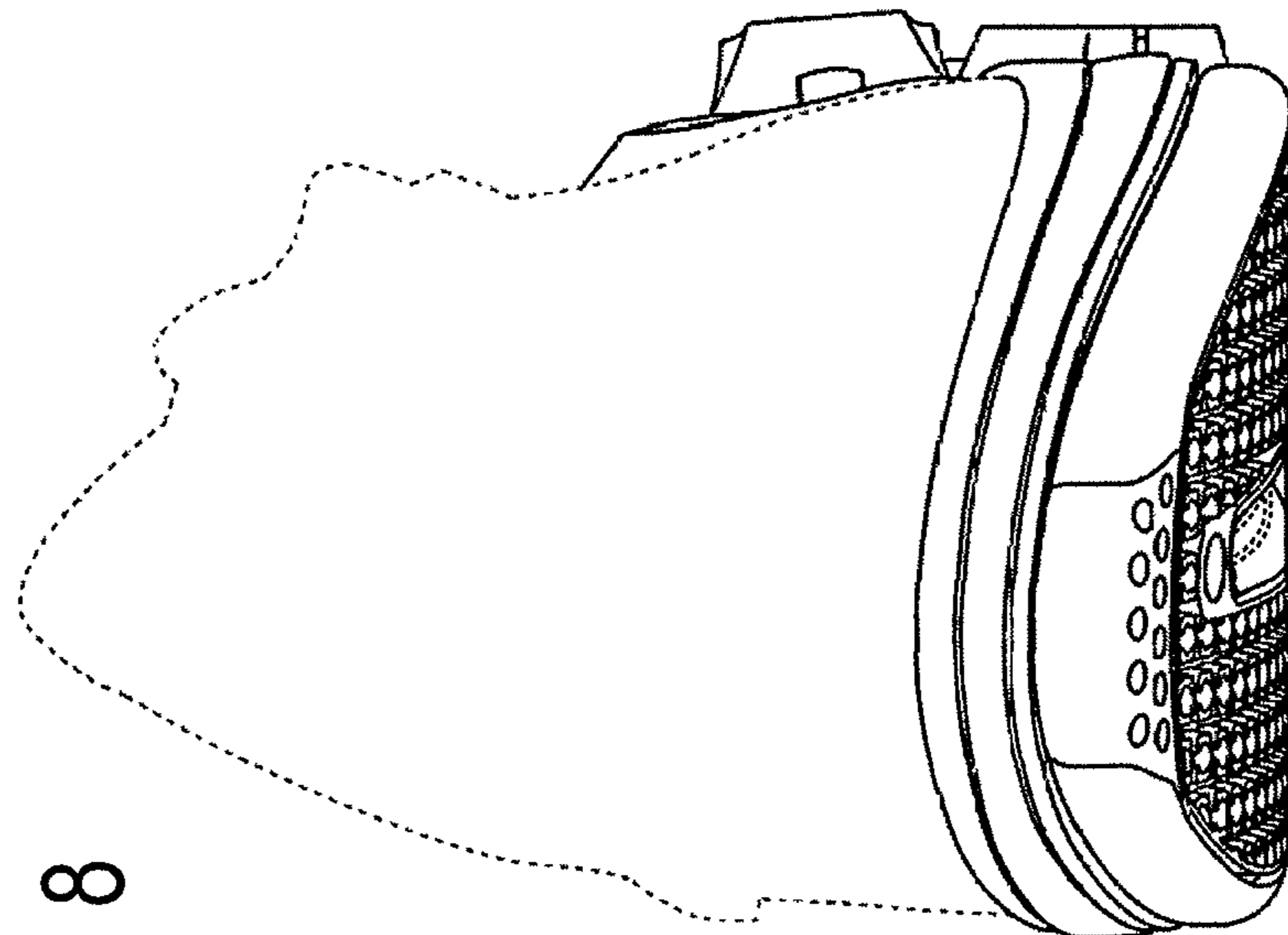


FIG. 8

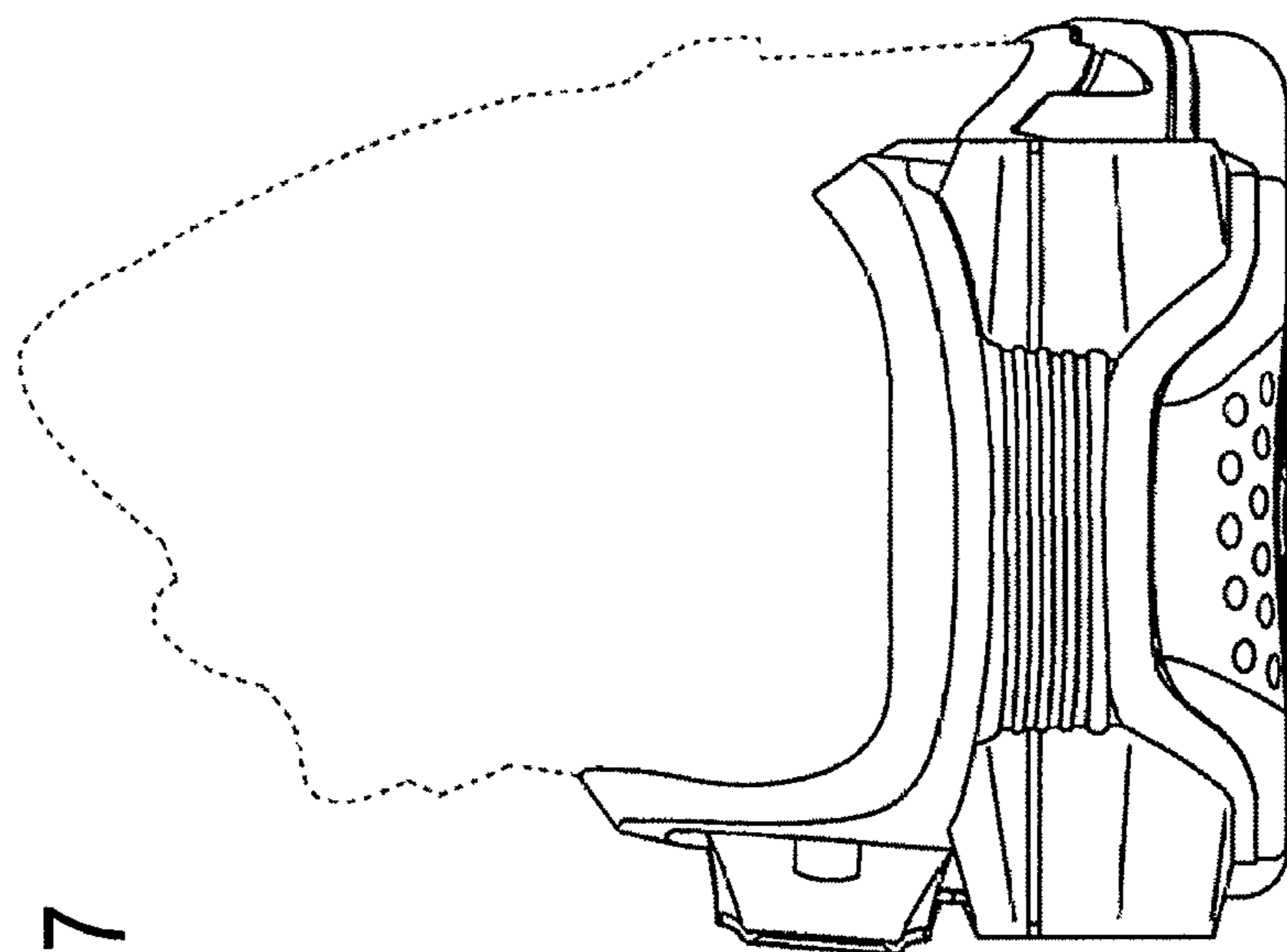


FIG. 7



FIG. 9

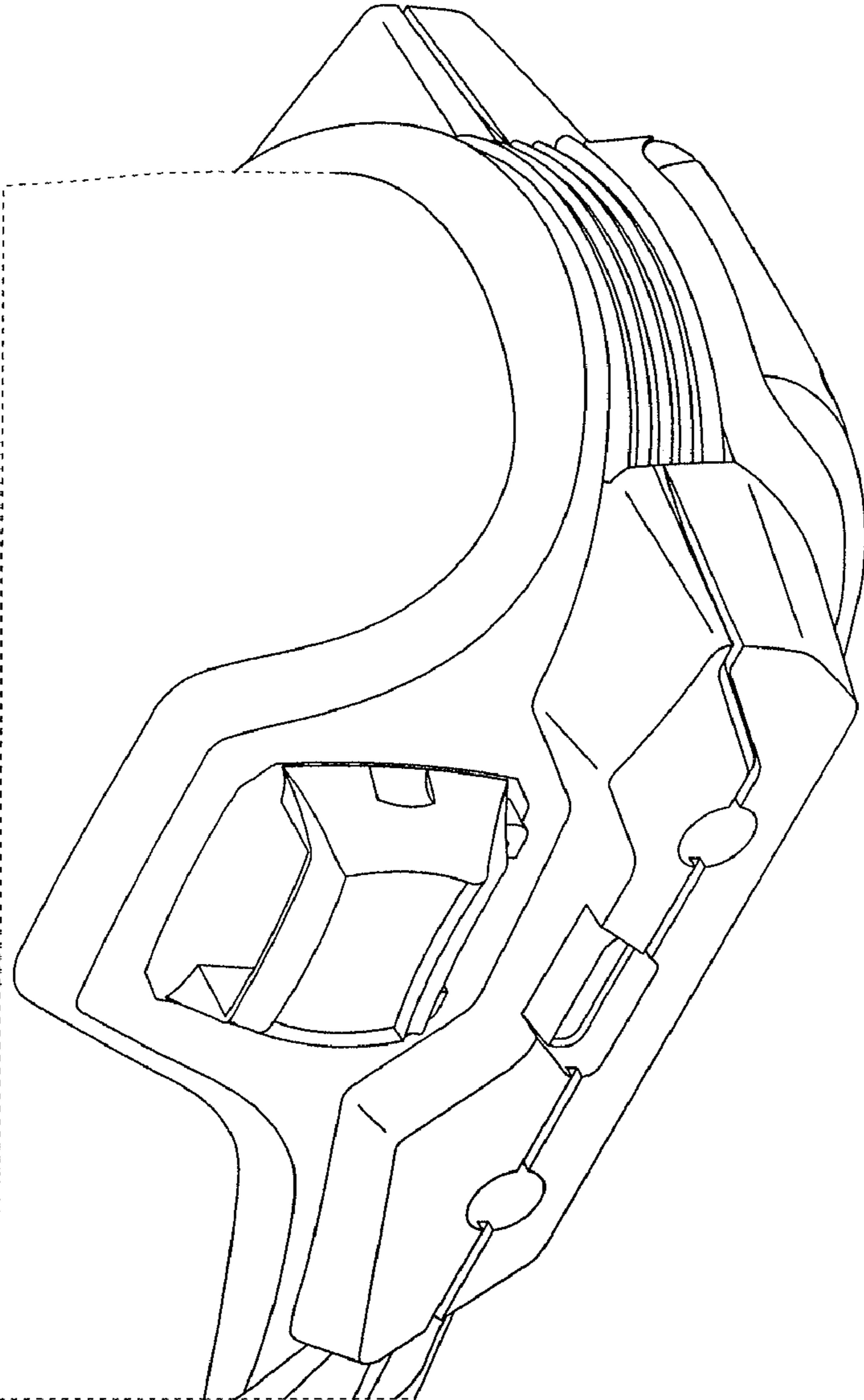


FIG. 10

