



US00D650559S

(12) **United States Design Patent**  
**Pham**

(10) **Patent No.:** **US D650,559 S**

(45) **Date of Patent:** **\*\* Dec. 20, 2011**

(54) **PANTS**

(76) **Inventor:** **Tommy Pham**, San Francisco, CA (US)

(\*\*) **Term:** **14 Years**

(21) **Appl. No.:** **29/363,913**

(22) **Filed:** **Jun. 16, 2010**

(51) **LOC (9) Cl.** ..... **02-02**

(52) **U.S. Cl.** ..... **D2/742**

(58) **Field of Classification Search** ..... D2/700,

D2/731, 738, 742, 712; 2/79, 80, 227, 228,

2/234-238, 219, 265, 275

See application file for complete search history.

2,807,804	A *	10/1957	Miller	.....	2/126
3,599,242	A *	8/1971	Kozdal	.....	2/234
5,204,995	A *	4/1993	Knapp	.....	2/228
D339,220	S *	9/1993	Buziol	.....	D2/742
6,161,223	A *	12/2000	Andrews	.....	2/234
7,131,147	B2 *	11/2006	Villegas	.....	2/211
2004/0045077	A1 *	3/2004	Kim	.....	2/237

\* cited by examiner

*Primary Examiner* — Rashida Johnson

(74) *Attorney, Agent, or Firm* — Schwegman, Lundberg & Woessner, P.A.

(56) **References Cited**

**U.S. PATENT DOCUMENTS**

1,070,867	A *	8/1913	Wisotzky	.....	2/236
1,611,420	A *	12/1926	Cuddy	.....	2/79
1,832,687	A *	11/1931	Boshnack	.....	2/234
2,013,929	A *	9/1935	Rubin et al.	.....	2/237
2,325,056	A *	7/1943	Hess	.....	160/348
2,382,907	A *	8/1945	Persin	.....	2/124
2,418,772	A *	4/1947	Jackson	.....	2/235
2,434,233	A *	1/1948	Spearrin	.....	2/234
2,473,692	A *	6/1949	Murphy	.....	2/234
2,489,053	A *	11/1949	Spearrin	.....	2/234
2,801,948	A *	8/1957	Walker	.....	156/66

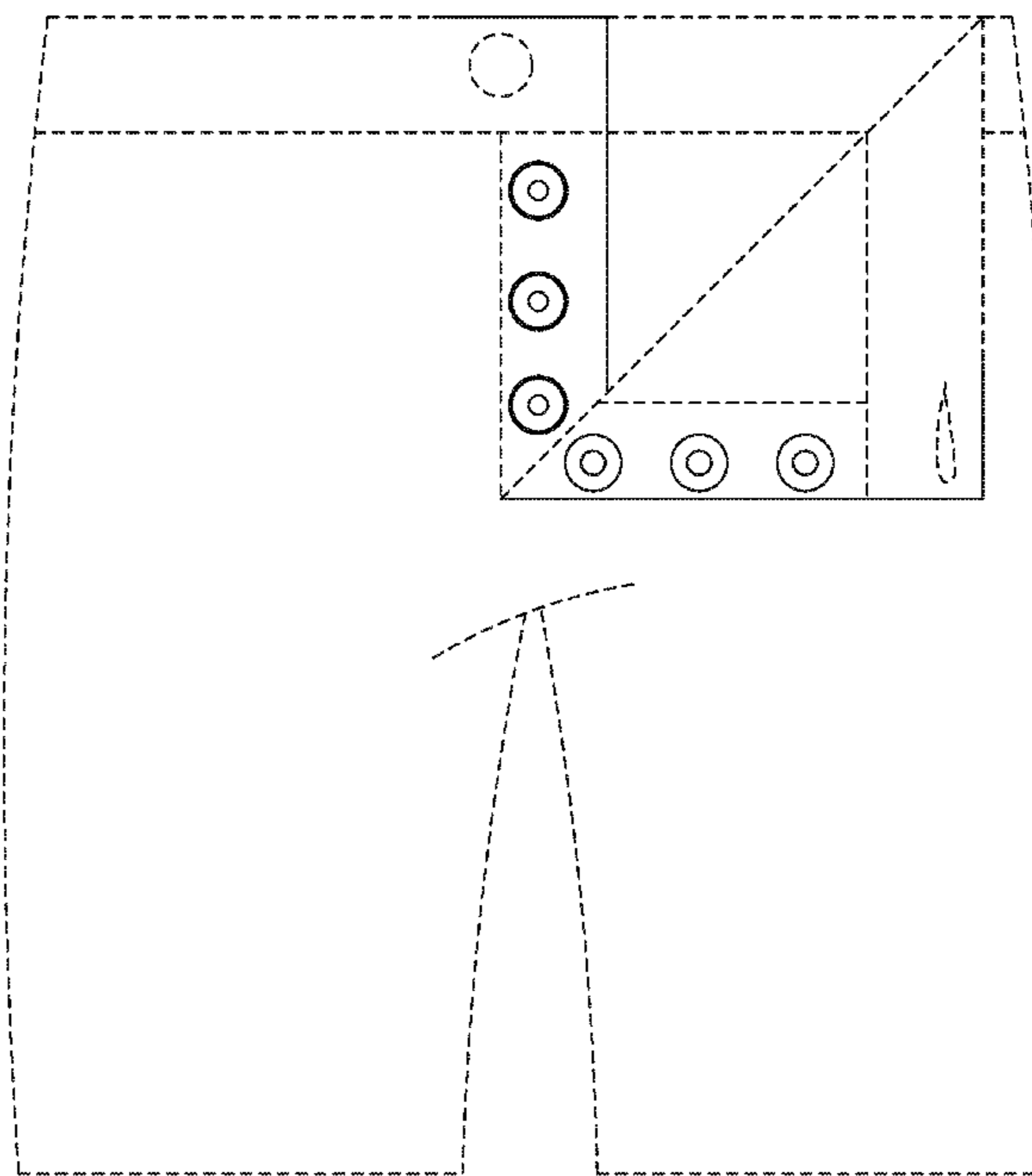
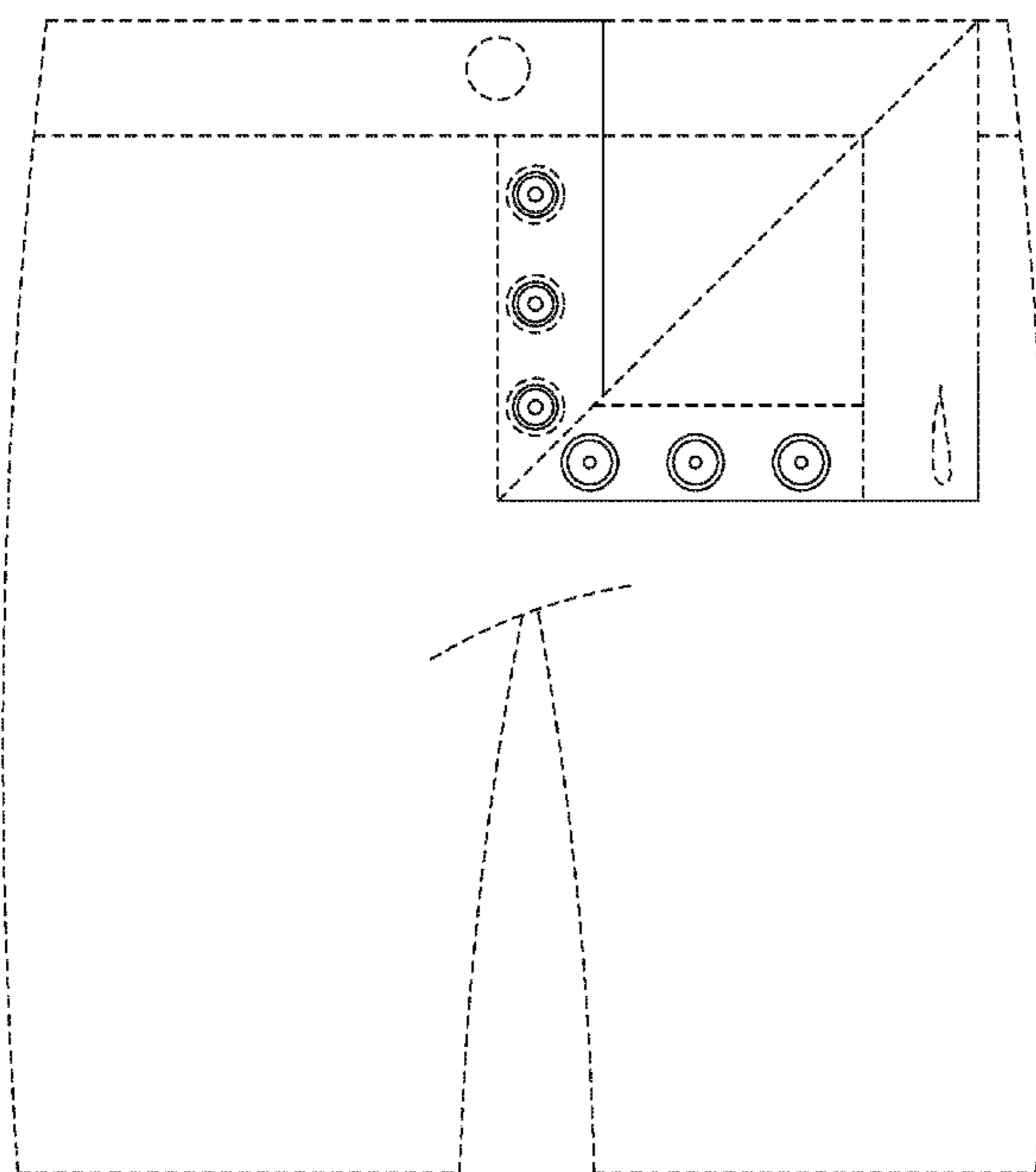
**CLAIM**

(57) The ornamental design for pants, as shown and described.

**DESCRIPTION**

FIG. 1 is a front elevational view of pants, showing my new design, the fly of the pants being shown in a fully open position; and, FIG. 2 is a front elevational view of a first modified embodiment thereof, the fly of the pants being shown in a fully open position. Subject matter shown in broken lines forms no part of the claimed design.

**1 Claim, 2 Drawing Sheets**



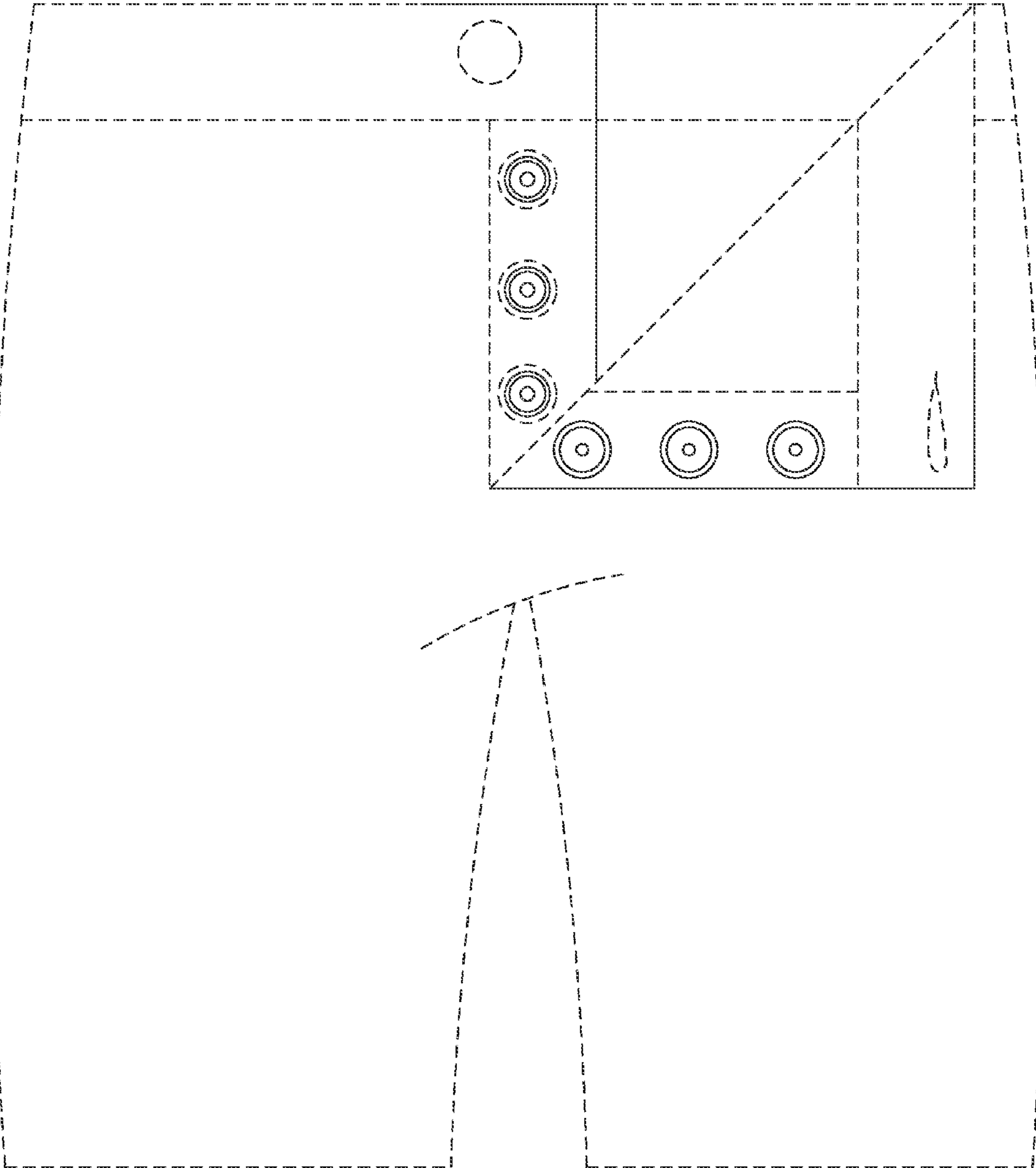


FIG. 1

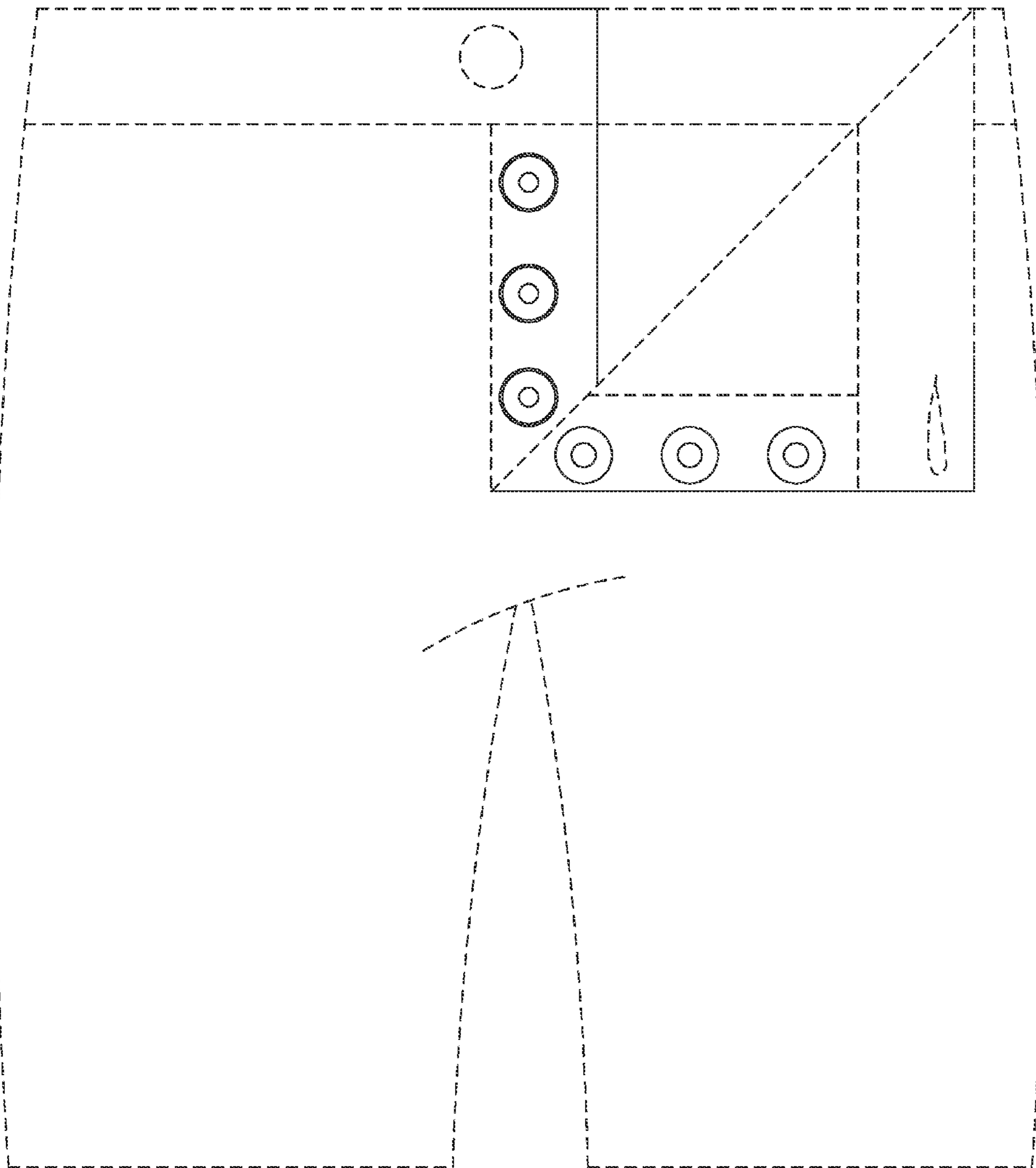


FIG. 2