



US00D650548S

(12) **United States Design Patent**  
**Meekma et al.**

(10) **Patent No.:** **US D650,548 S**

(45) **Date of Patent:** **\*\* Dec. 13, 2011**

(54) **SAFE**

(75) Inventors: **Glenn P. Meekma**, Menomonee Falls, WI (US); **Scott B. Stevens**, Oak Creek, WI (US)

(73) Assignee: **Master Lock Company LLC**, Oak Creek, WI (US)

(\*\*) Term: **14 Years**

(21) Appl. No.: **29/358,733**

(22) Filed: **Mar. 31, 2010**

(51) **LOC (9) Cl.** ..... **99-00**

(52) **U.S. Cl.** ..... **D99/28**

(58) **Field of Classification Search** ..... D99/28, D99/34, 35, 36, 37, 43, 99; D18/3.1, 3.3, D18/12, 12.1; 235/379, 380, 381, 382, 382.5; 194/206; 109/1 R, 1 V, 2, 45, 49.5, 52, 58, 109/59 R, 60, 61, 62, 64, 78; D8/330, 331, D8/333, 334, 343, 499; 70/14, 19, 20, 21, 70/22; 206/0.8, 0.815, 0.82

See application file for complete search history.

(56) **References Cited**

**U.S. PATENT DOCUMENTS**

D59,734 S *	11/1921	Fisher	.....	D99/37
1,634,884 A	7/1927	Peer		
1,955,809 A *	4/1934	Hobbs	.....	109/23
D175,369 S *	8/1955	Sciacero	.....	D99/28
2,755,748 A *	7/1956	Abell, Jr.	.....	109/52
D181,025 S *	9/1957	Sederquist et al.	.....	D99/34
D183,094 S *	6/1958	Heath	.....	D99/34
3,026,704 A	3/1962	Baker		
3,084,532 A *	4/1963	Williams	.....	70/63
3,146,739 A	9/1964	Furman		
3,742,741 A	7/1973	Cahan		
D231,895 S *	6/1974	Stolarz	.....	D8/334
3,934,434 A	1/1976	Law		
D271,350 S *	11/1983	Robbins	.....	D3/208

D273,053 S *	3/1984	Hamborg	.....	D99/28
D278,689 S *	5/1985	Jupe	.....	D10/42
D279,324 S *	6/1985	Tanaka	.....	D99/34
4,641,505 A	2/1987	Maurice		
4,651,544 A	3/1987	Hungerford		
D298,679 S *	11/1988	Casini et al.	.....	D99/28
4,838,052 A	6/1989	Williams et al.		
D309,054 S *	7/1990	Knox	.....	D99/37
D310,211 S *	8/1990	Tanbe	.....	D14/387
4,951,577 A	8/1990	Bentley		
5,065,156 A *	11/1991	Bernier	.....	340/932.2
D350,002 S *	8/1994	Viola	.....	D99/28

(Continued)

**OTHER PUBLICATIONS**

International Search Report and Written Opinion from International Application No. PCT/US2007/04968, mailed Aug. 27, 2008.

*Primary Examiner* — Elizabeth J Oswecki

(74) *Attorney, Agent, or Firm* — Calfee, Halter & Griswold LLP

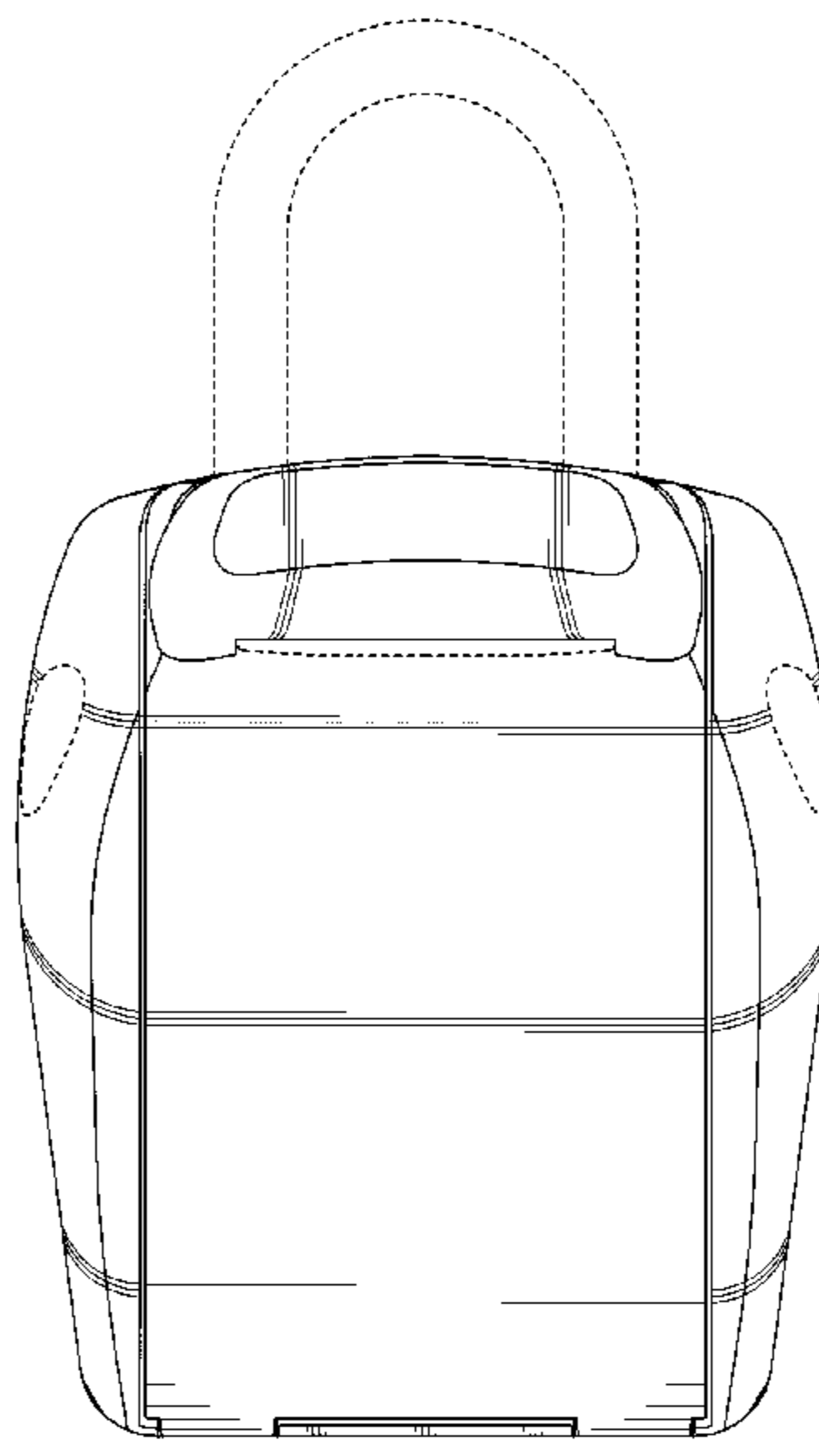
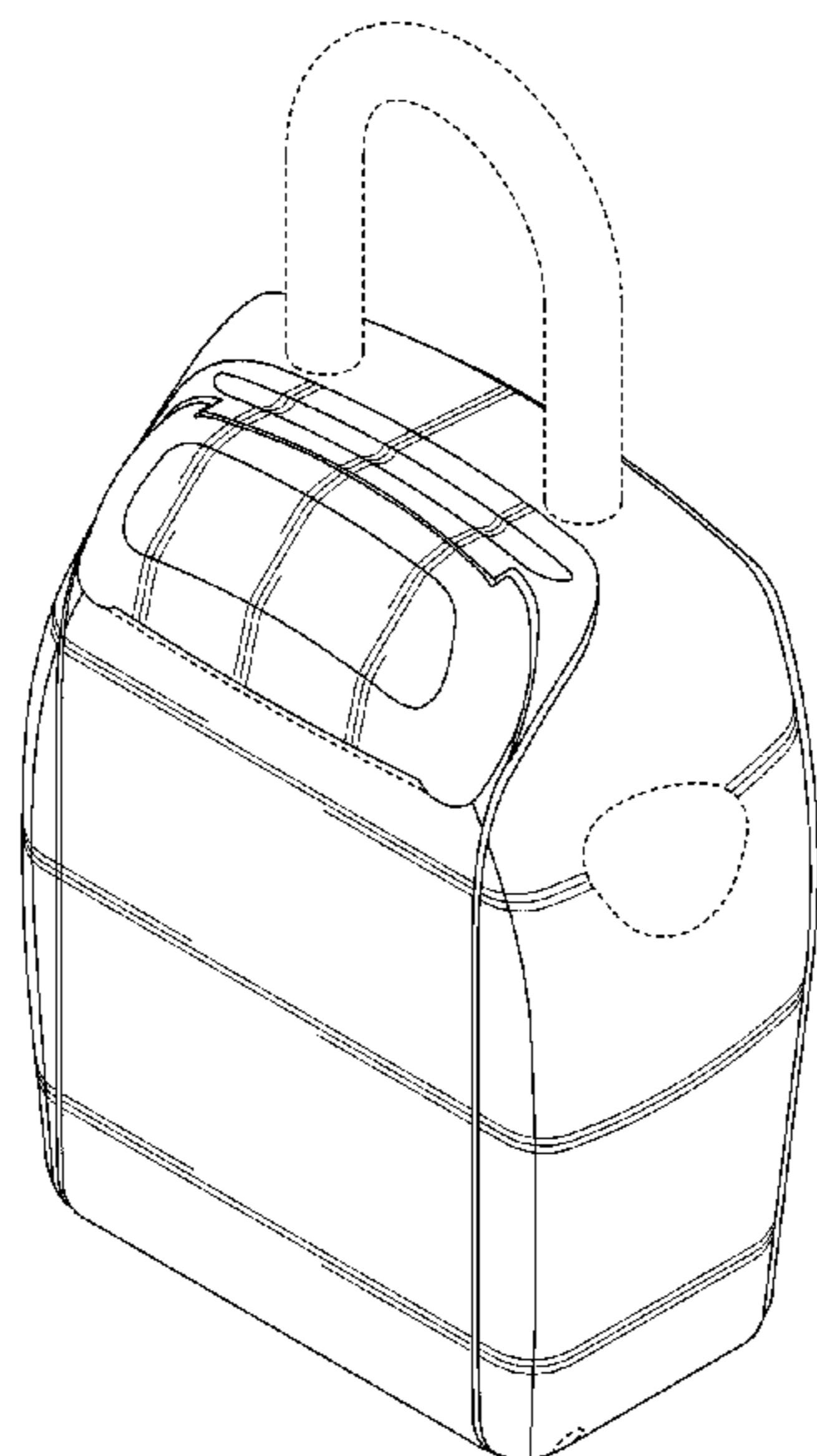
(57) **CLAIM**

We claim the ornamental design for a safe, as shown and described.

**DESCRIPTION**

FIG. 1 is a front perspective view of a safe showing our new design;  
FIG. 2 is a rear perspective view thereof;  
FIG. 3 is a top view thereof;  
FIG. 4 is a front view thereof;  
FIG. 5 is a rear view thereof;  
FIG. 6 is a bottom view thereof;  
FIG. 7 is a right side view thereof; and,  
FIG. 8 is a left side view thereof.  
In the drawings, the broken lines in the FIGS. 1-8 depict portions of the design that form no part of the claim.

**1 Claim, 5 Drawing Sheets**



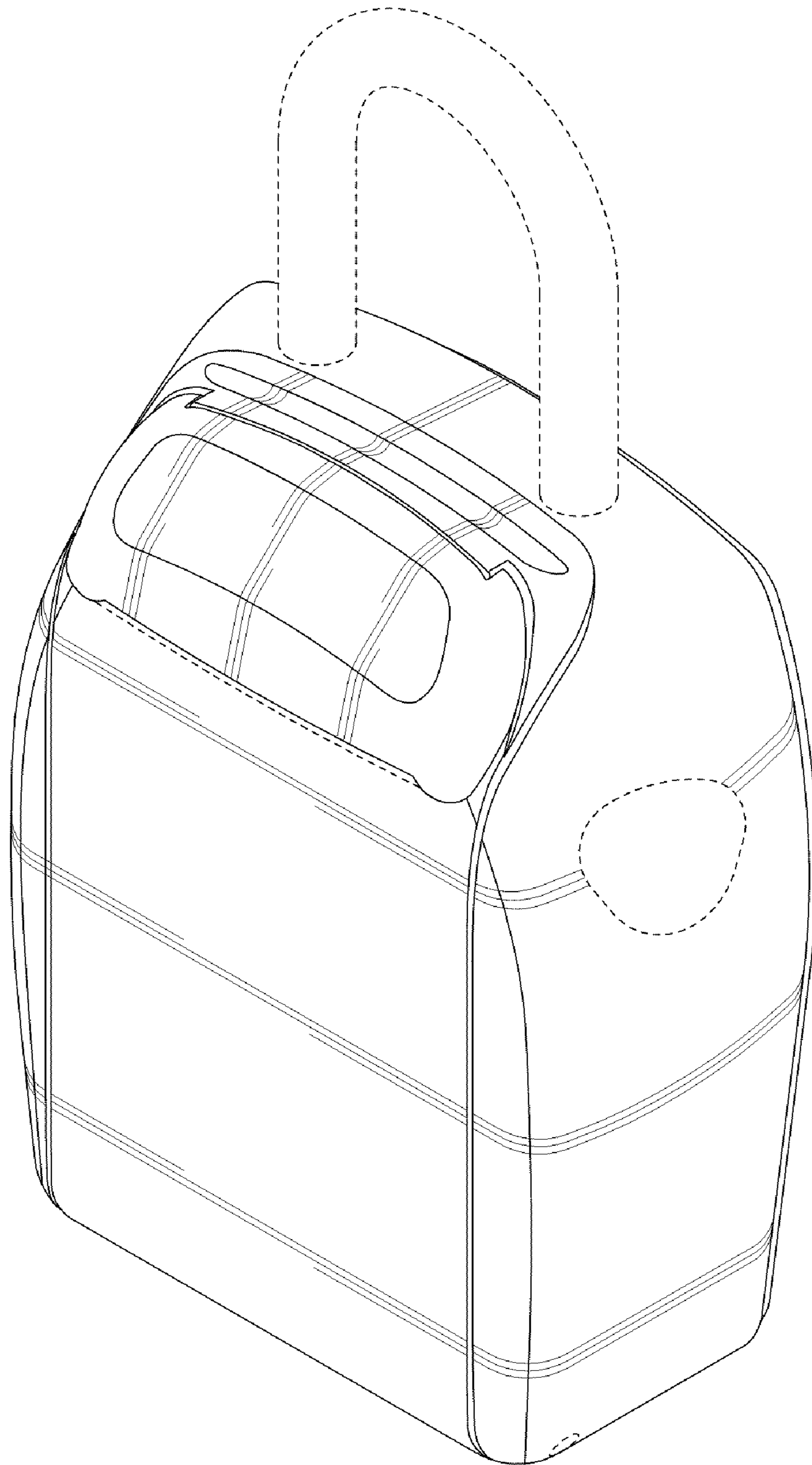
# US D650,548 S

Page 2

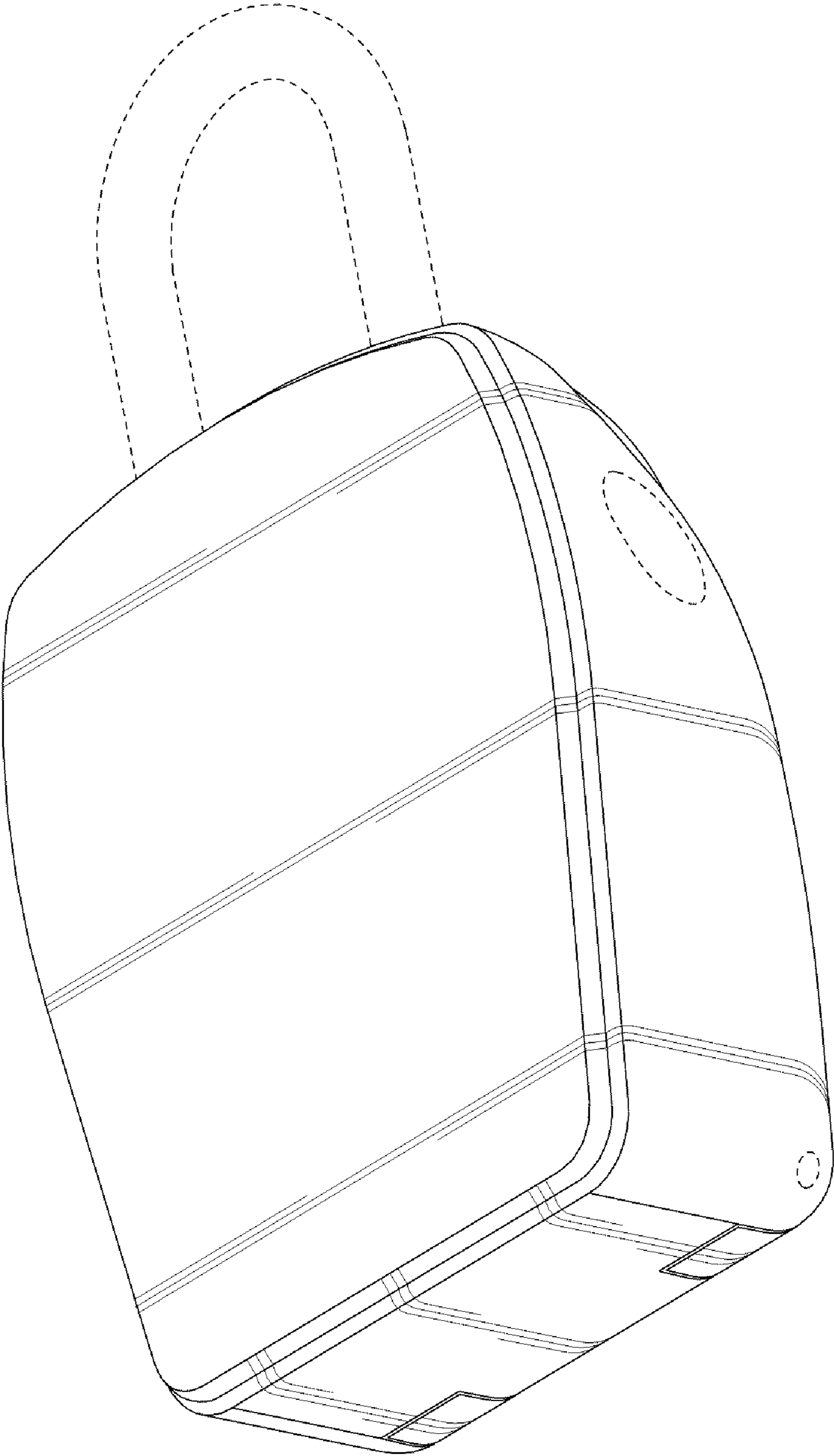
## U.S. PATENT DOCUMENTS

D351,499	S *	10/1994	Gay et al. ....	D3/201	7,251,967	B2	8/2007	Yang	
D365,430	S *	12/1995	Riboli .....	D99/37	7,299,667	B1	11/2007	Miresmaili	
D380,793	S *	7/1997	Conwell .....	D21/519	D560,875	S *	1/2008	Decarlo et al. ....	D99/28
5,737,947	A	4/1998	Ling		D579,174	S *	10/2008	Decarlo et al. ....	D99/28
5,738,020	A	4/1998	Correia		7,516,631	B2	4/2009	Hacker et al.	
5,758,522	A	6/1998	York		D634,915	S *	3/2011	Nave et al. ....	D99/28
D407,184	S *	3/1999	Endelson .....	D99/37	D641,535	S *	7/2011	Kan .....	D99/37
5,927,114	A	7/1999	Berry		2004/0226325	A1	11/2004	Ling	
D432,755	S *	10/2000	Perkitny et al. ....	D99/34	2005/0223758	A1	10/2005	Yu	
D462,517	S *	9/2002	Knox et al. ....	D3/271.5	2006/0065024	A1	3/2006	Gutierrez et al.	
D484,776	S *	1/2004	Ruan .....	D8/334	2006/0137949	A1*	6/2006	Levinson et al. ....	190/18 A
6,813,912	B1	11/2004	Ng et al.		2006/0213237	A1	9/2006	Yang	
6,834,519	B1	12/2004	Yang		2007/0180873	A1	8/2007	Yen et al.	
7,057,660	B1	6/2006	Okuda		2008/0098939	A1	5/2008	Kalous et al.	
D534,965	S *	1/2007	Chung .....	D21/519	2008/0115544	A1	5/2008	Yang	
D539,540	S *	4/2007	Perlman et al. ....	D3/294					

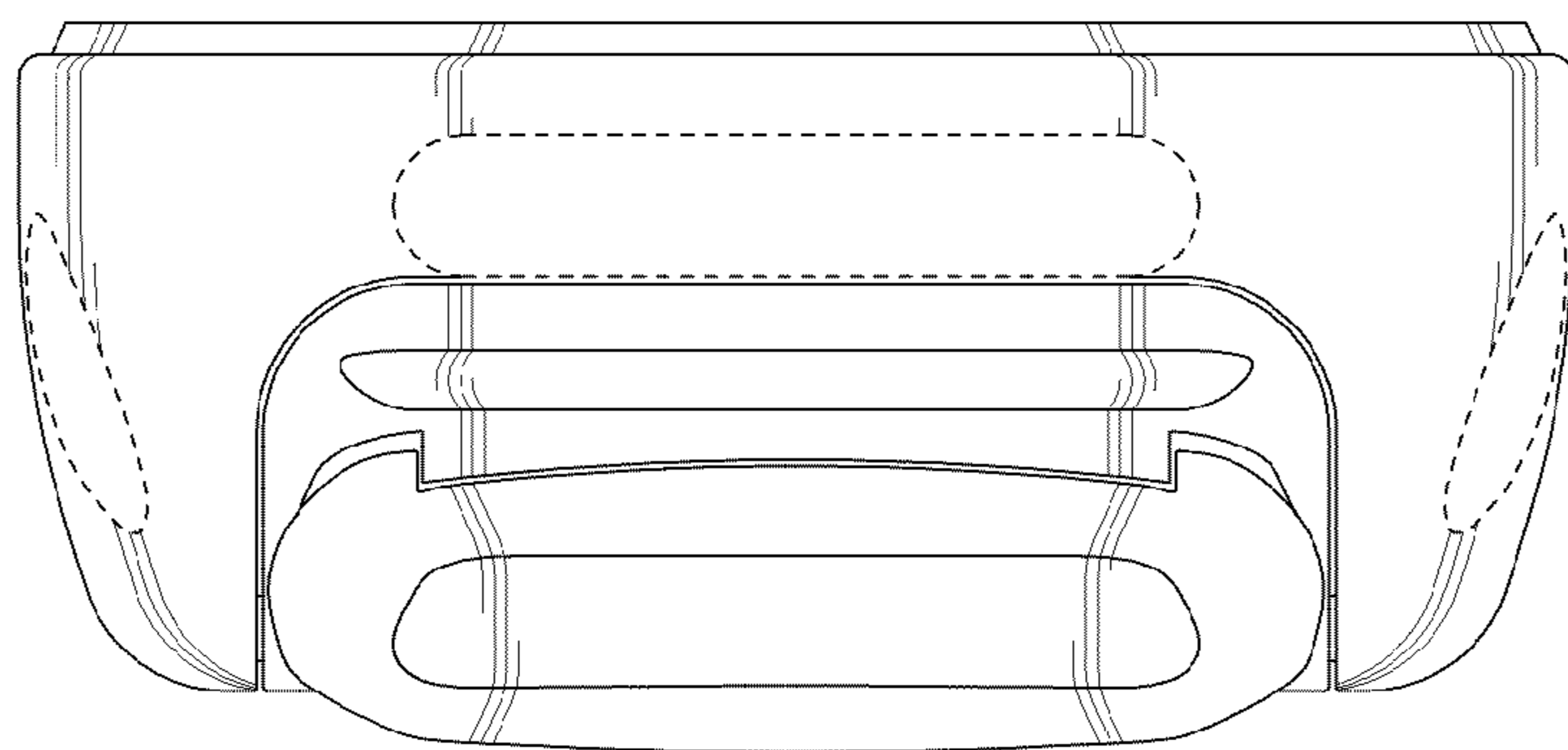
\* cited by examiner



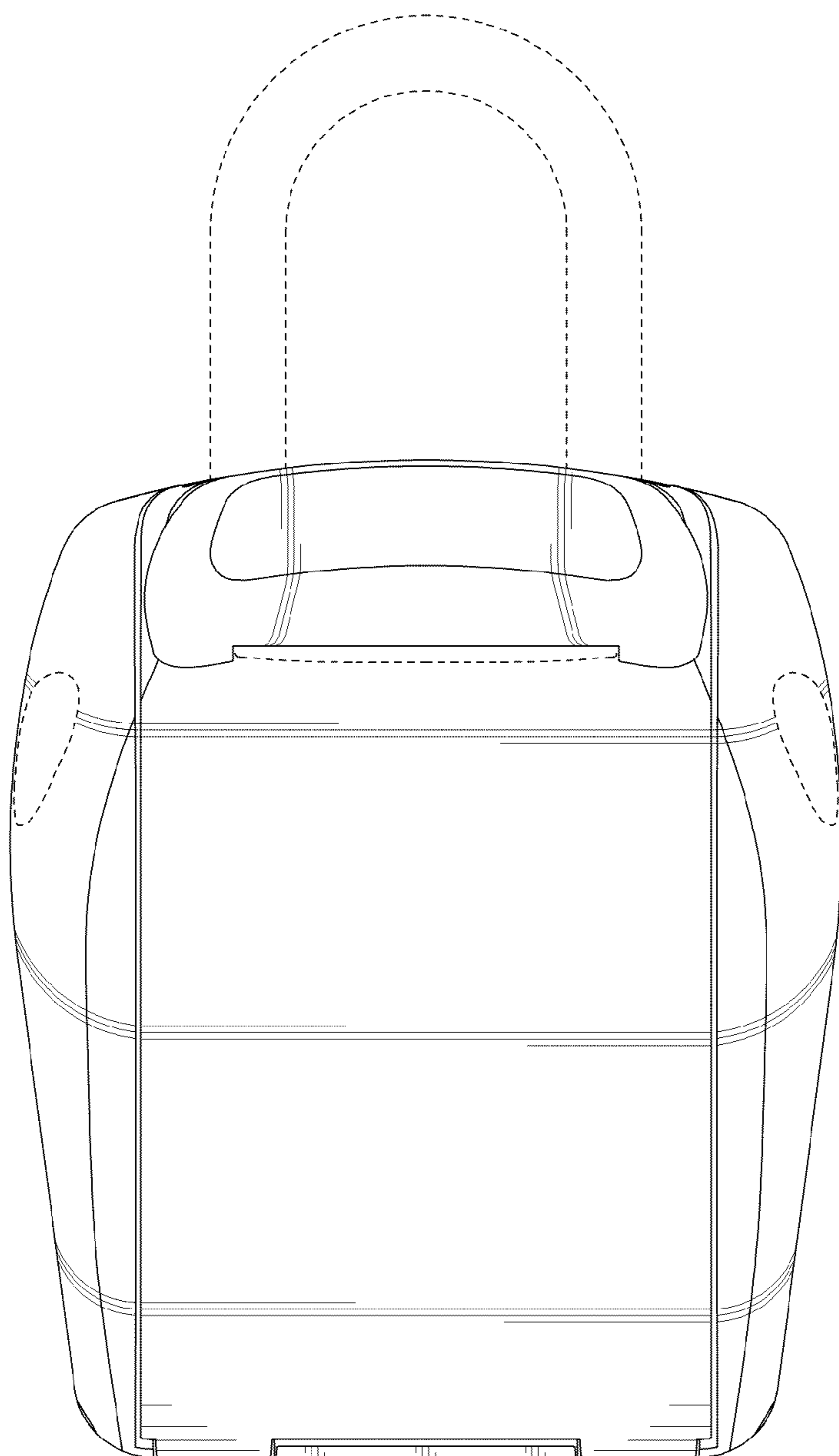
**FIG. 1**



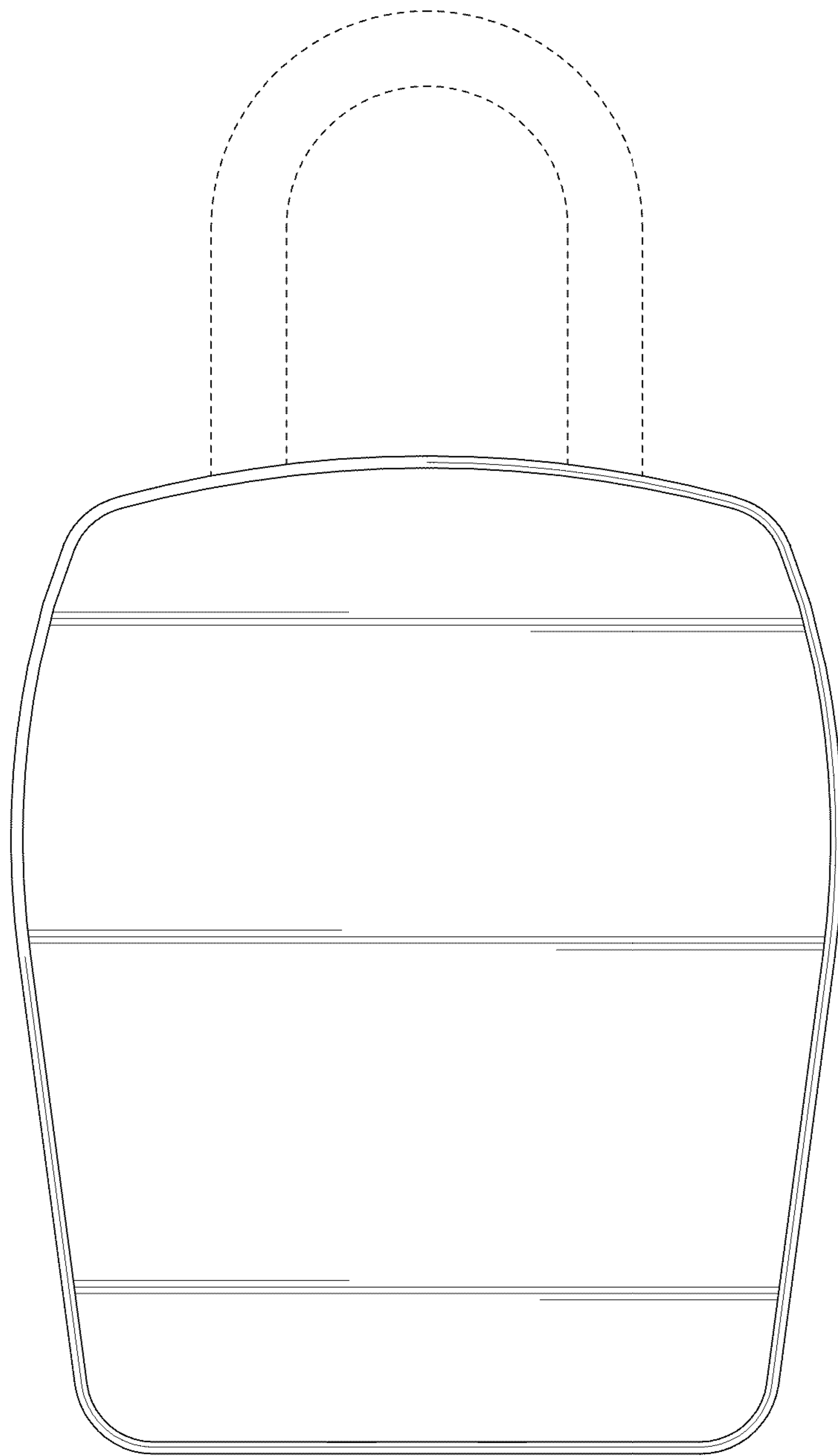
**FIG. 2**



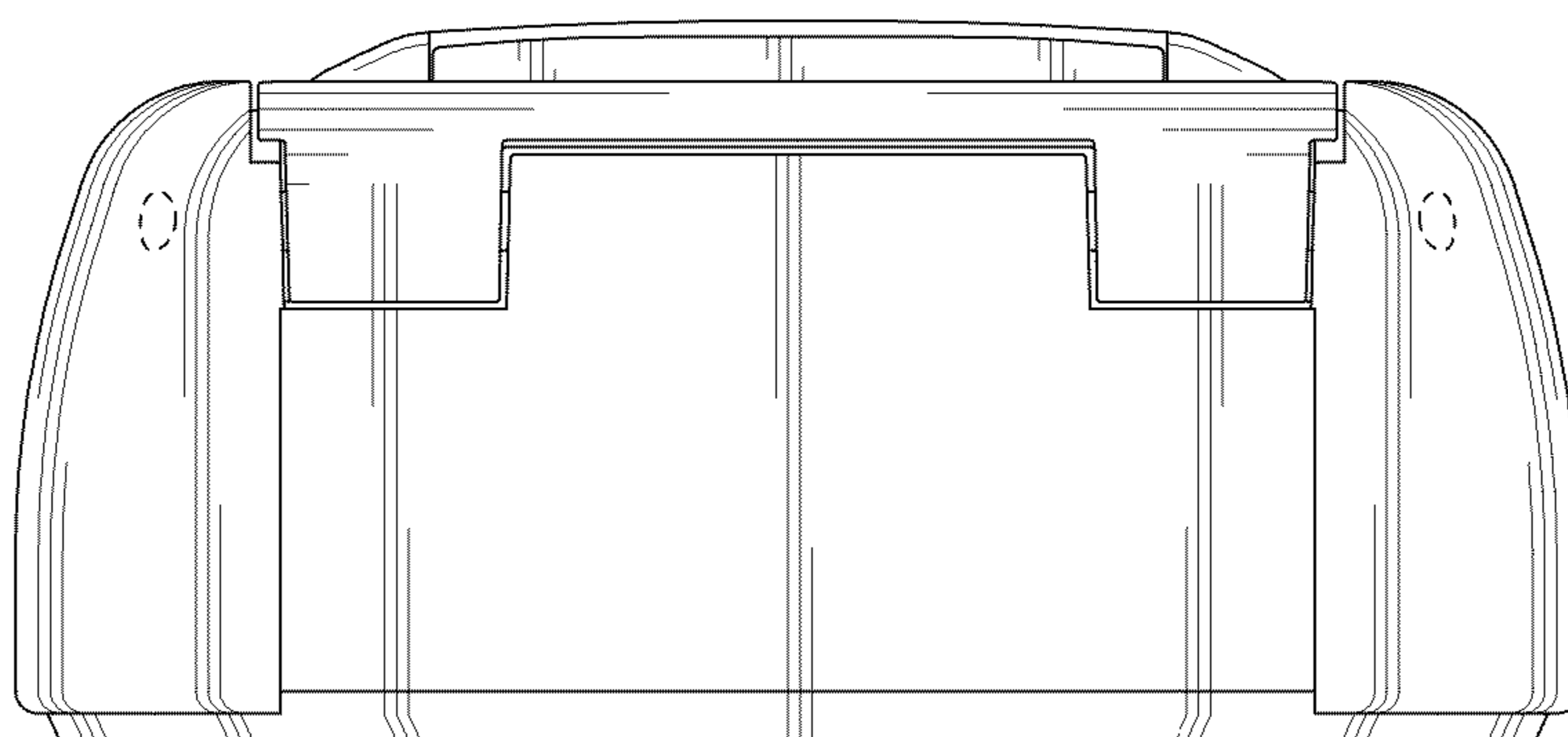
**FIG. 3**



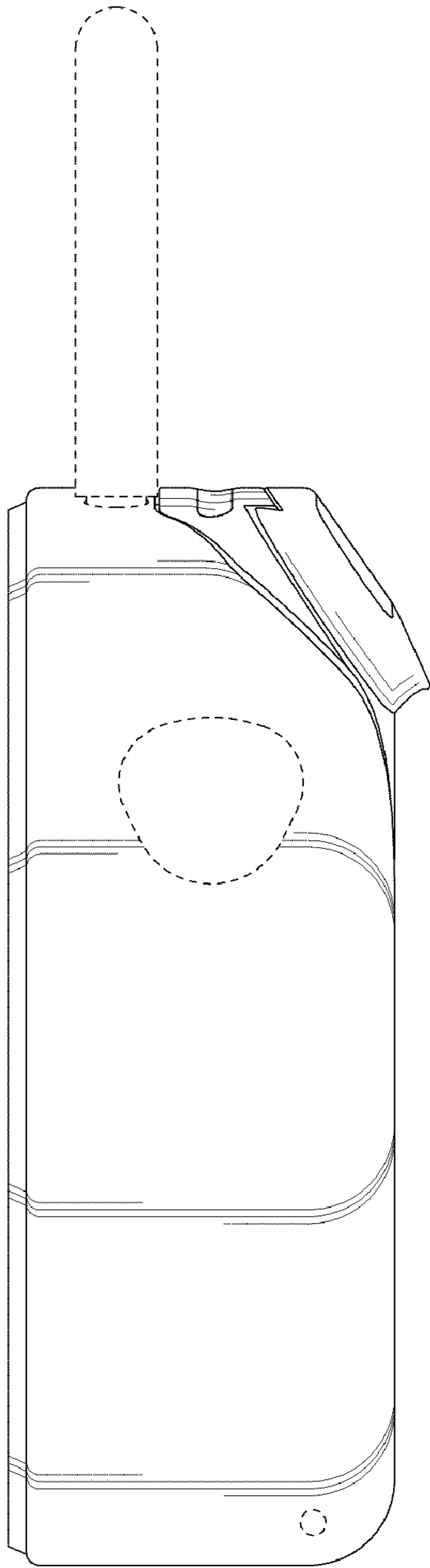
**FIG. 4**



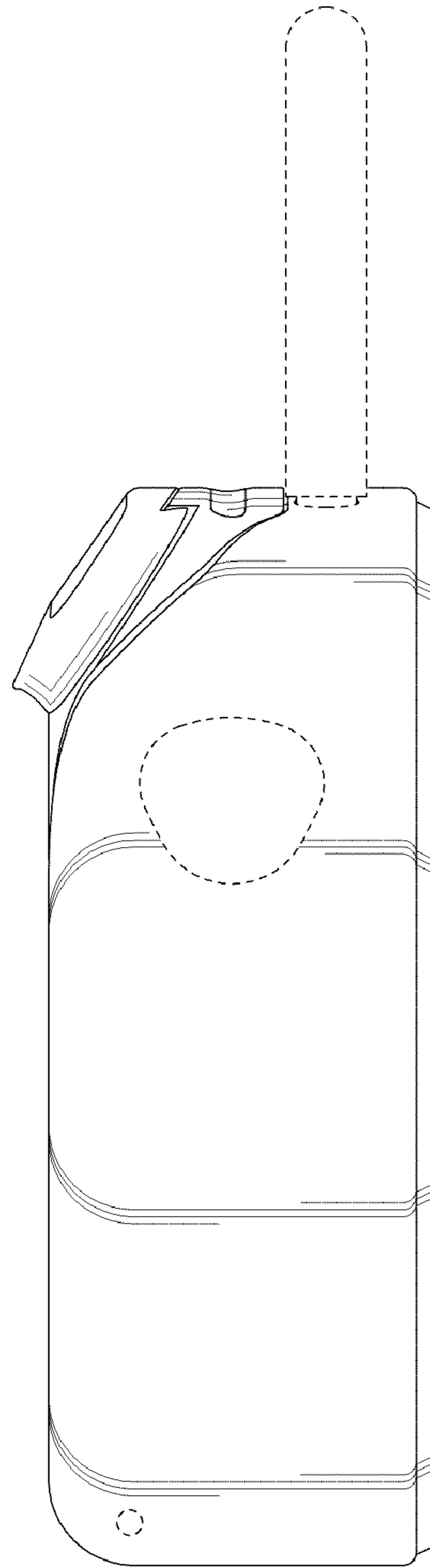
**FIG. 5**



**FIG. 6**



**FIG. 7**



**FIG. 8**