



US00D650546S

(12) **United States Design Patent**
MacDonald et al.

(10) **Patent No.:** **US D650,546 S**
(45) **Date of Patent:** **** Dec. 13, 2011**

(54) **SHIPPING PALLET**
(75) Inventors: **Richard MacDonald**, King (CA); **John Psihos**, Richmond Hill (CA); **Matthew Didio**, Detroit, MI (US); **Marc Topacio**, Troy, MI (US)

6,886,475 B2 5/2005 Apps et al.
6,955,128 B2* 10/2005 Apps 108/57.25
D544,175 S * 6/2007 Valentinsson D34/38
D557,475 S * 12/2007 Kruger D34/38
D584,874 S * 1/2009 Sasnowski D34/38
7,690,315 B2 4/2010 Apps
2007/0277706 A1 12/2007 Carter et al.
2008/0017081 A1* 1/2008 Baltz 108/56.1
2010/0175597 A1 7/2010 Persson

(73) Assignee: **Axios Mobile Assets**, Ontario (CA)

(**) Term: **14 Years**

(21) Appl. No.: **29/385,759**

(22) Filed: **Feb. 18, 2011**

(51) **LOC (9) Cl.** **09-08**

(52) **U.S. Cl.** **D34/38**

(58) **Field of Classification Search** D34/38;
108/51.11, 56.1, 56.3, 53.1, 52.1, 53, 1, 53.3,
108/901, 902

See application file for complete search history.

(56) **References Cited**

U.S. PATENT DOCUMENTS

3,561,375 A 2/1971 Hammond et al.
3,695,188 A 10/1972 Granatstein
3,699,901 A 10/1972 Cook, III
3,707,127 A 12/1972 Palfey
3,951,078 A 4/1976 Fowler et al.
4,013,021 A 3/1977 Steinlein et al.
4,879,956 A 11/1989 Shuert
4,886,694 A 12/1989 Donnard
5,197,395 A 3/1993 Pigott et al.
5,427,019 A 6/1995 Moorman
5,440,998 A 8/1995 Morgan, IV et al.
D364,030 S * 11/1995 Pigott et al. D34/38
5,472,540 A 12/1995 Marschke et al.
D373,889 S * 9/1996 Weber D34/38
5,676,064 A 10/1997 Shuert
5,720,229 A 2/1998 Schrage
D410,786 S * 6/1999 Favaron et al. D34/38
6,006,677 A * 12/1999 Apps et al. 108/57.25
6,186,078 B1 2/2001 Brown
6,446,563 B1 9/2002 Ohanesian

OTHER PUBLICATIONS

Webpages from www.buckhorninc.com, undated.
Webpages from www.orbiscorporation.com, undated.
Webpage from www.rehrigpacific.com, undated.
Online catalog from www.pallets.com, undated.
Webpage from www.vestil.com, undated.

* cited by examiner

Primary Examiner — Cynthia Ramirez

(74) *Attorney, Agent, or Firm* — Tarolli, Sundheim, Covell & Tummino LLP

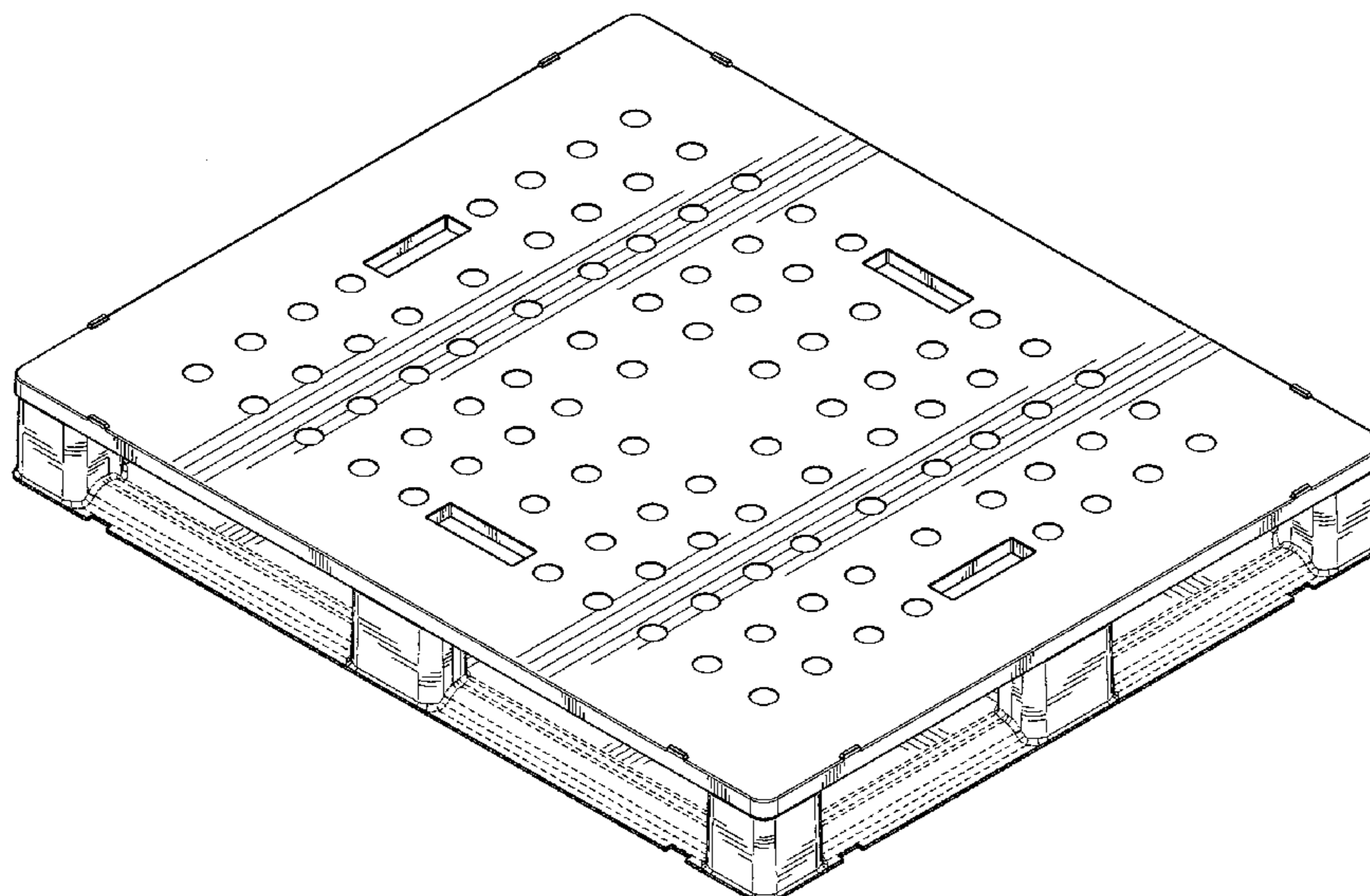
(57) **CLAIM**

The ornamental design for a shipping pallet, as shown and described.

DESCRIPTION

FIG. 1 is an isometric view of a shipping pallet from above, showing our new design;
FIG. 2 is an isometric view of the pallet from below;
FIG. 3 is a left side elevation view;
FIG. 4 is an upper side elevation view;
FIG. 5 is a right side elevation view;
FIG. 6 is a lower side elevation view;
FIG. 7 is a top plan view; and,
FIG. 8 is a bottom plan view.
The broken lines in the figures are included for the purpose of illustrating portions of the pallet and form no part of the claimed design.

1 Claim, 5 Drawing Sheets



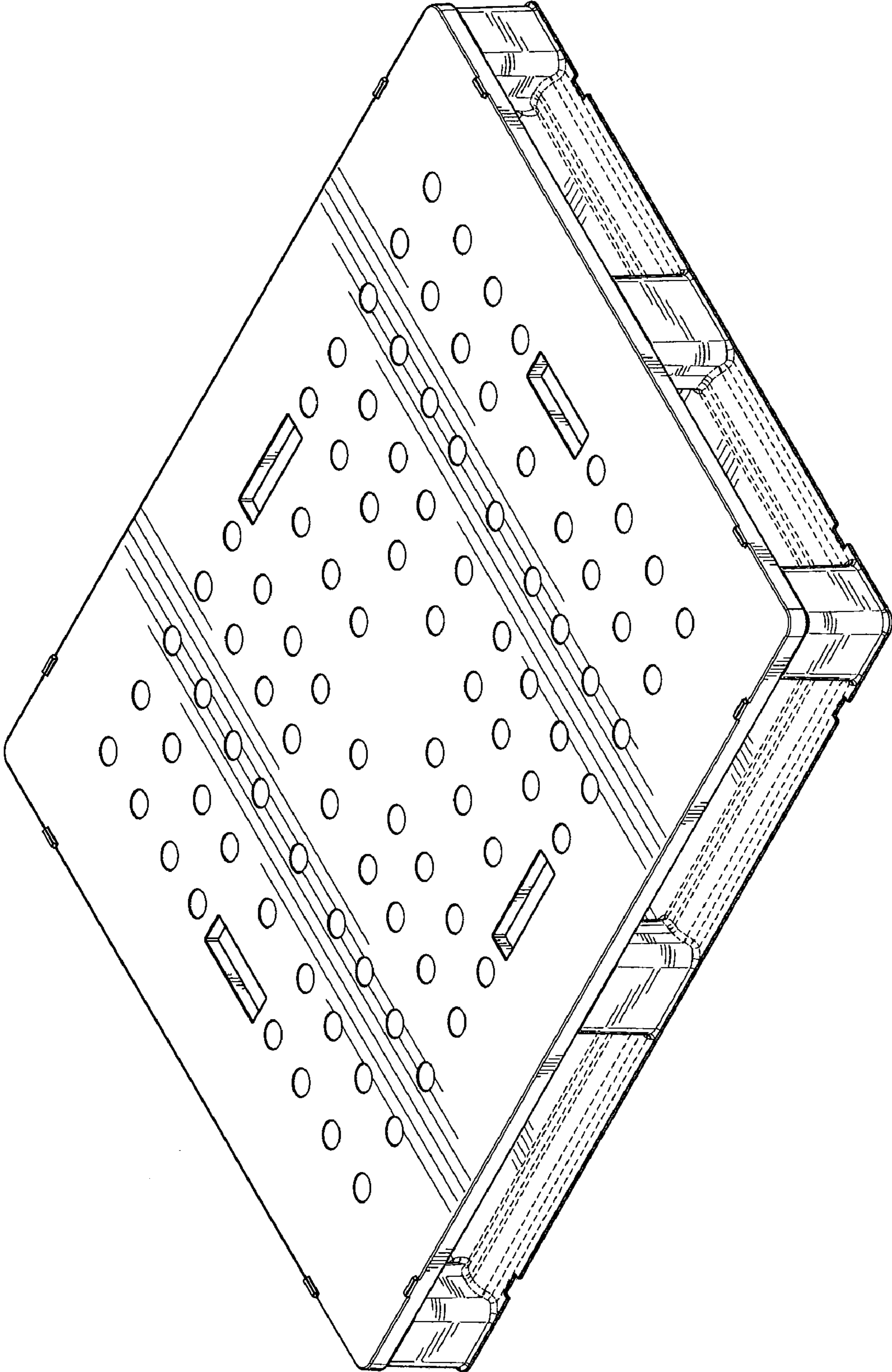


FIG. 1

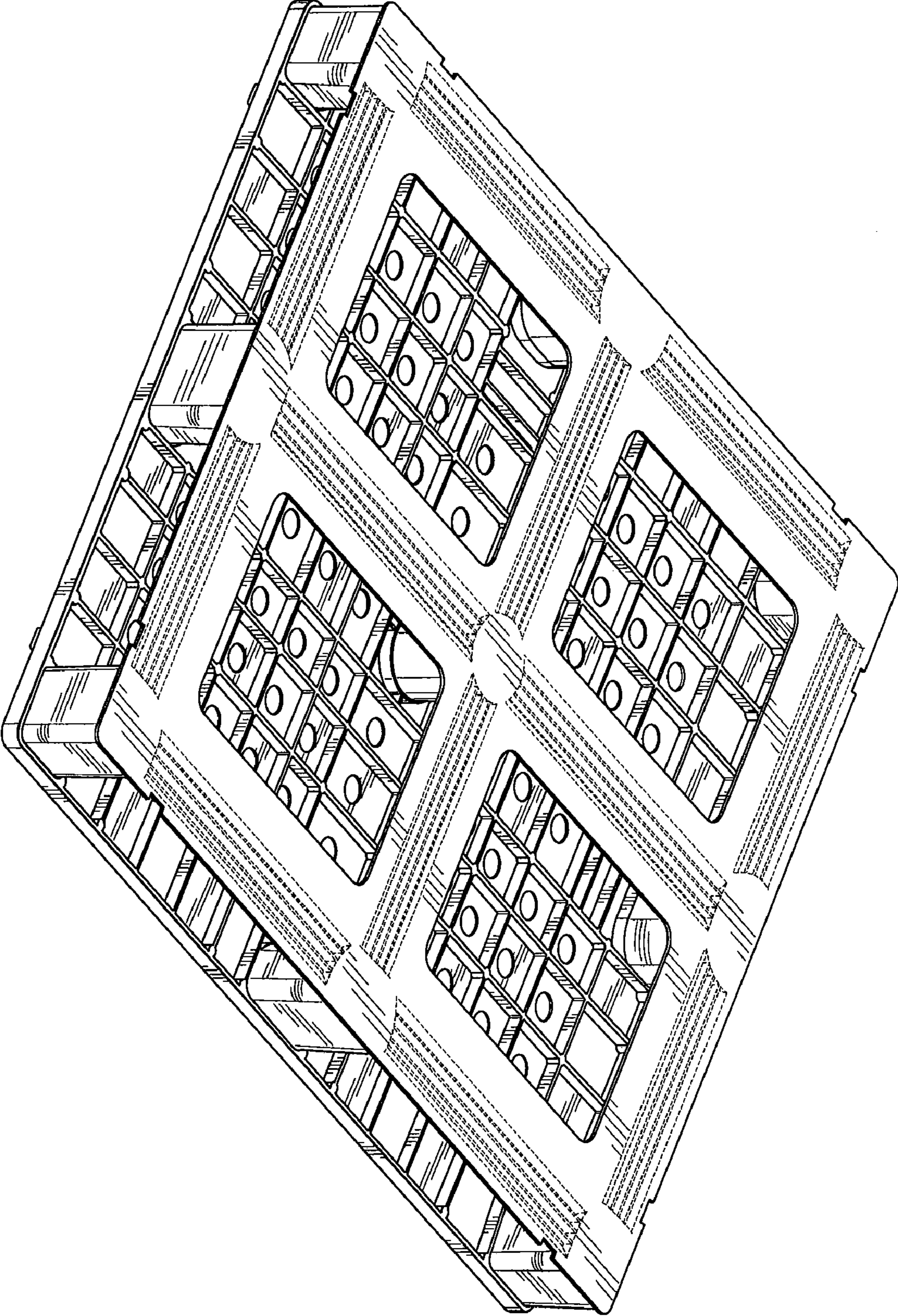


FIG. 2

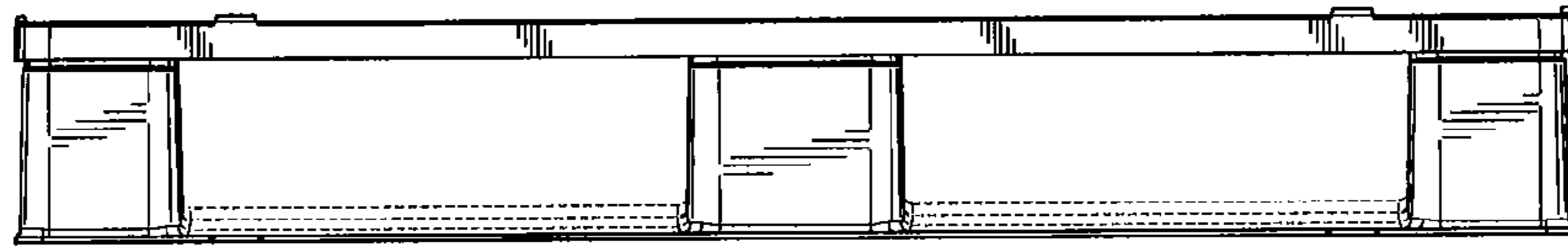


FIG. 3

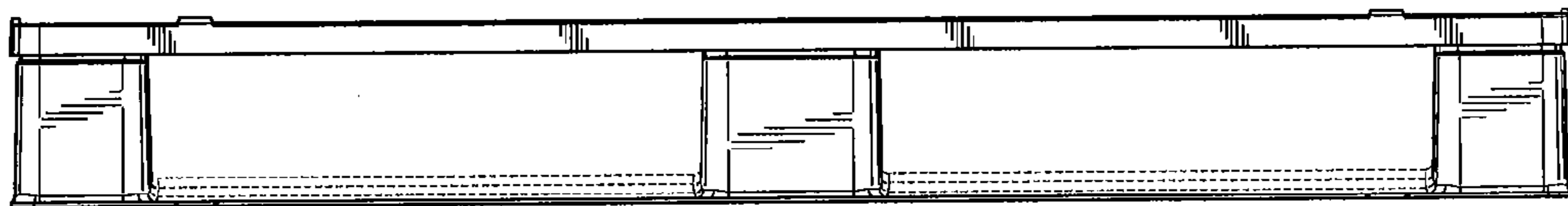


FIG. 4

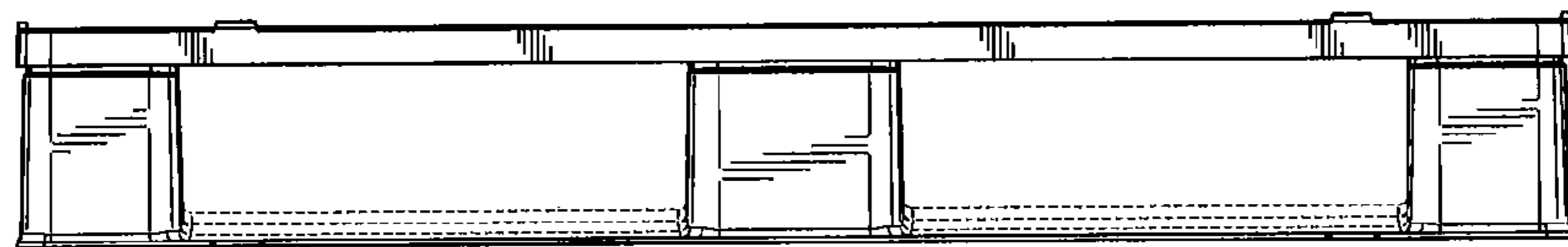


FIG. 5

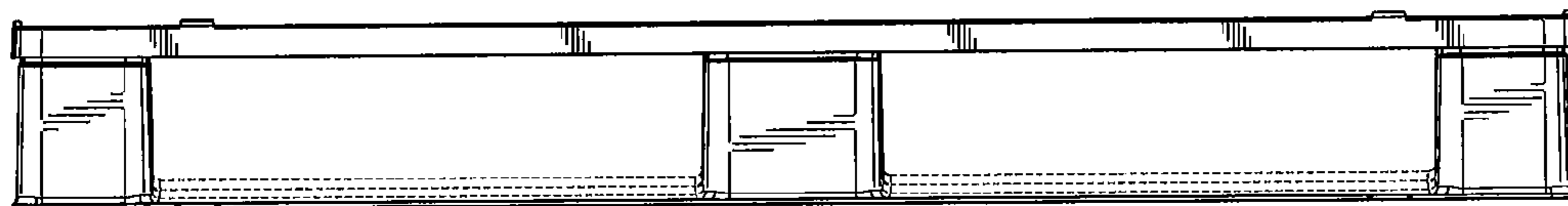


FIG. 6

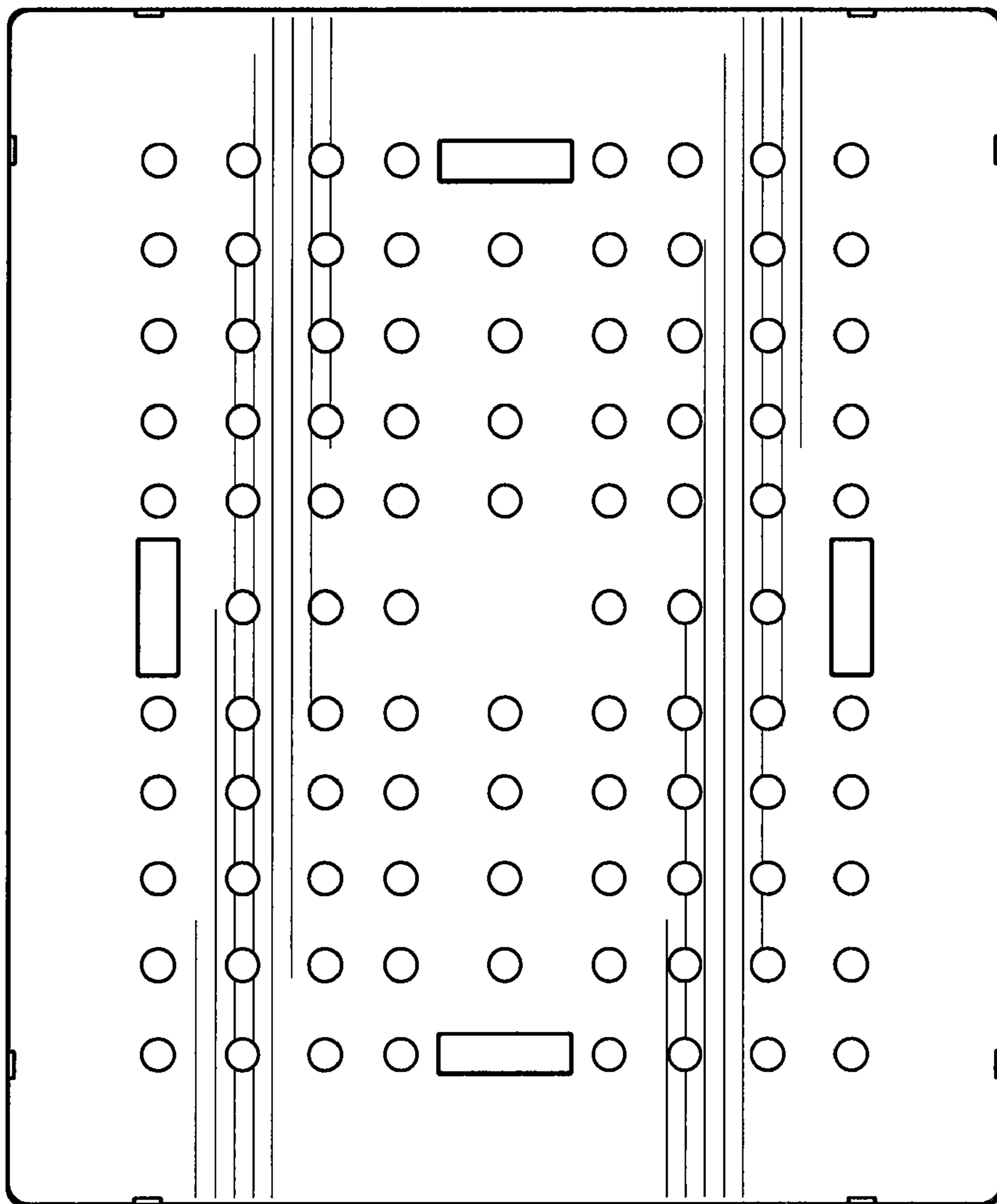


FIG. 7

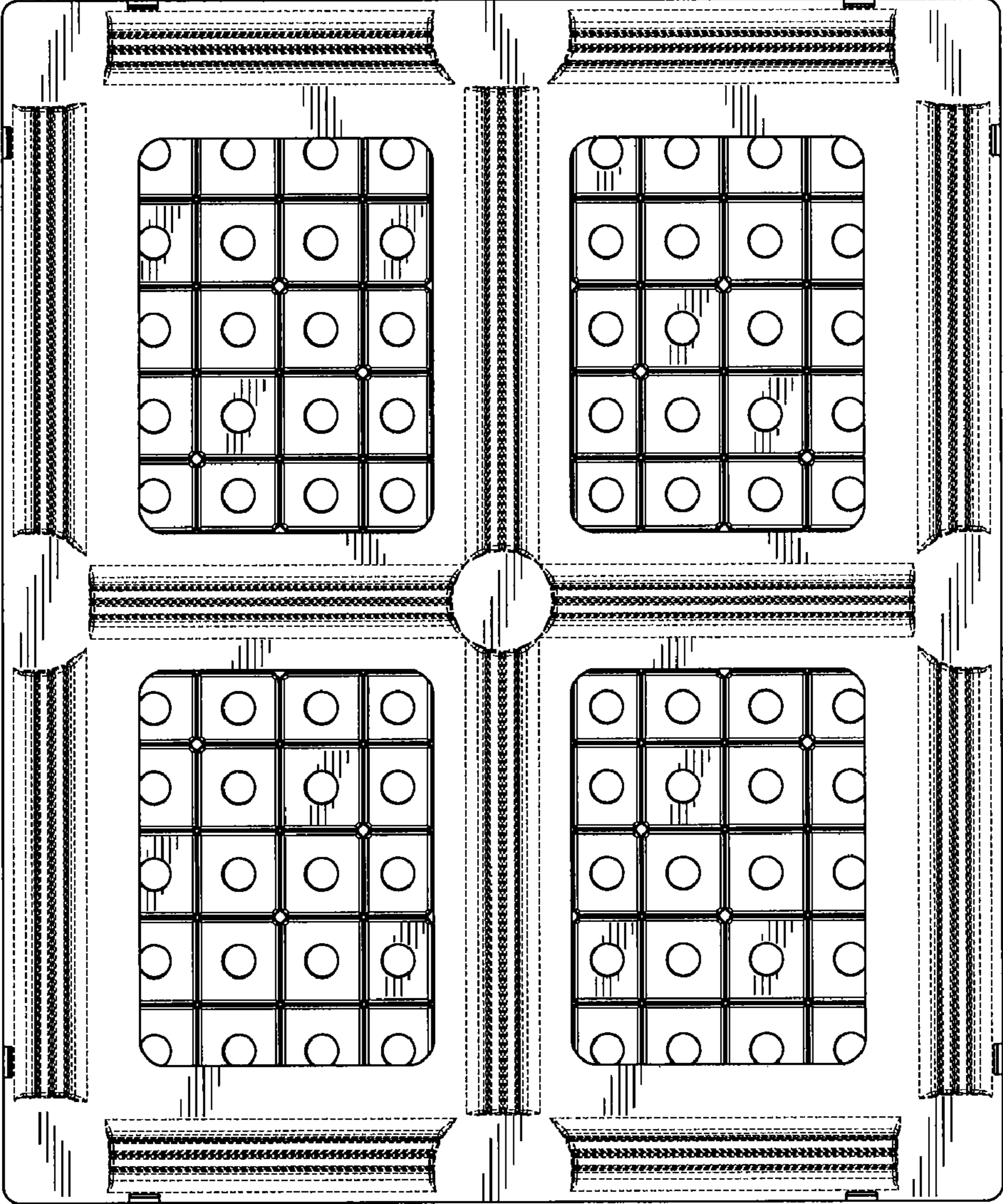


FIG. 8