



US00D650545S

(12) **United States Design Patent**  
**Malone, Jr. et al.**

(10) **Patent No.:** **US D650,545 S**  
(45) **Date of Patent:** **\*\* Dec. 13, 2011**

(54) **EXTENDABLE ROLLER BASE FOR INDOOR HEATER**

(76) Inventors: **Cleophas F. Malone, Jr.**, Emporia, VA (US); **Nikita Malone**, Emporia, VA (US)

(\*\*) Term: **14 Years**

(21) Appl. No.: **29/385,809**

(22) Filed: **Feb. 21, 2011**

(51) **LOC (9) Cl.** ..... **12-02**

(52) **U.S. Cl.** ..... **D34/23**

(58) **Field of Classification Search** ..... D34/12-27;  
280/79.11, 32.5, 32.6, 79.2, 79.7; 108/56.1;  
248/129

See application file for complete search history.

(56) **References Cited**

U.S. PATENT DOCUMENTS

|           |     |         |             |       |          |
|-----------|-----|---------|-------------|-------|----------|
| 781,243   | A * | 1/1905  | Thompson    | ..... | 280/651  |
| D127,916  | S * | 6/1941  | Whitfield   | ..... | D34/23   |
| 2,961,250 | A   | 11/1960 | Beach       |       |          |
| 3,208,768 | A * | 9/1965  | Hulbert     | ..... | 280/408  |
| D204,752  | S   | 5/1966  | Tvetan      |       |          |
| 3,984,116 | A * | 10/1976 | Bowers      | ..... | 280/32.6 |
| 5,472,220 | A   | 12/1995 | Stephan     |       |          |
| 5,823,549 | A   | 10/1998 | Morgan, Jr. |       |          |
| 5,863,053 | A * | 1/1999  | Berry       | ..... | 280/32.6 |

|              |      |        |            |       |           |
|--------------|------|--------|------------|-------|-----------|
| D427,406     | S *  | 6/2000 | Hartwall   | ..... | D34/23    |
| D472,358     | S    | 3/2003 | Beese, Jr. |       |           |
| 6,886,787    | B2   | 5/2005 | Stahl      |       |           |
| D547,517     | S *  | 7/2007 | Hernandez  | ..... | D34/23    |
| D549,920     | S    | 8/2007 | Dukes      |       |           |
| D620,669     | S *  | 7/2010 | Hernandez  | ..... | D34/23    |
| 2005/0212242 | A1 * | 9/2005 | Cheng      | ..... | 280/79.11 |
| 2011/0156367 | A1 * | 6/2011 | King       | ..... | 280/79.11 |

\* cited by examiner

*Primary Examiner* — Cynthia Ramirez

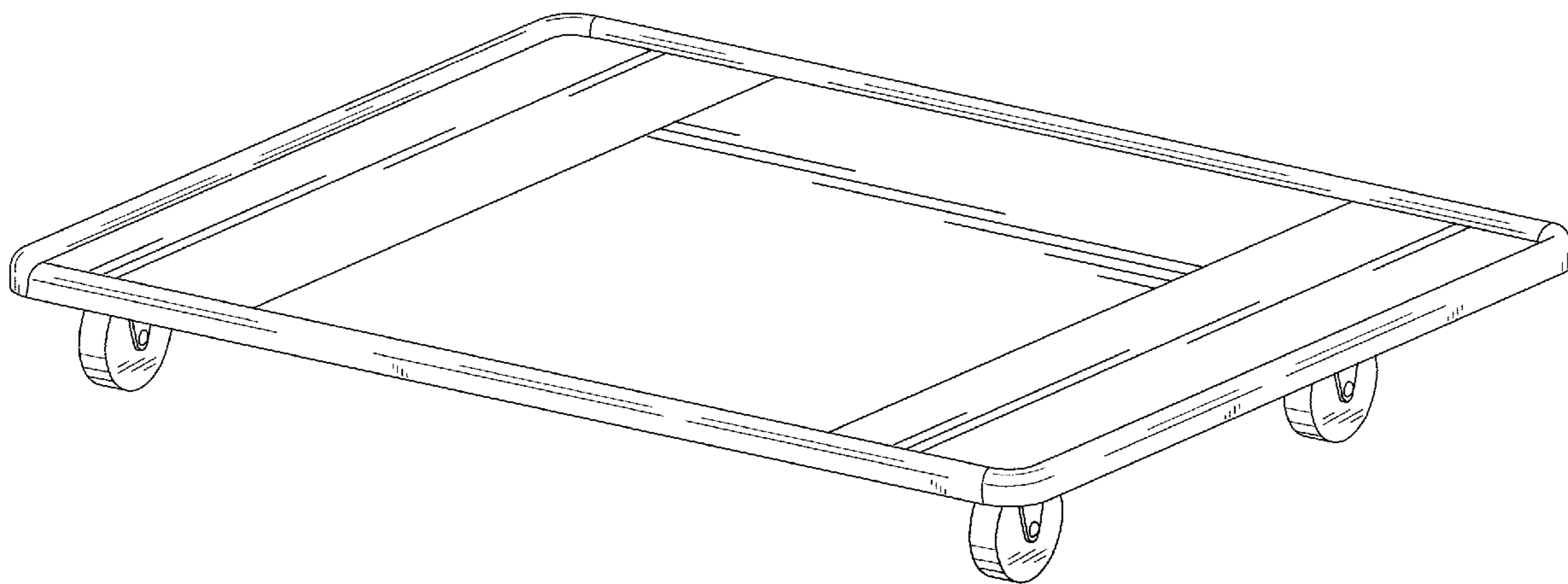
(57) **CLAIM**

The ornamental design for an extendable roller base for indoor heater, as shown and described.

**DESCRIPTION**

FIG. 1 is a top perspective view of an extendable roller base for indoor heater, showing our new design;  
 FIG. 2 is a top perspective view of the extendable roller base for indoor heater depicted in a partially extended state;  
 FIG. 3 is a bottom perspective view of thereof;  
 FIG. 4 is a front view thereof with a rear view being a mirror image;  
 FIG. 5 is a left side view thereof with a right side being a mirror image;  
 FIG. 6 is a top view thereof; and,  
 FIG. 7 is a bottom view thereof.

**1 Claim, 7 Drawing Sheets**



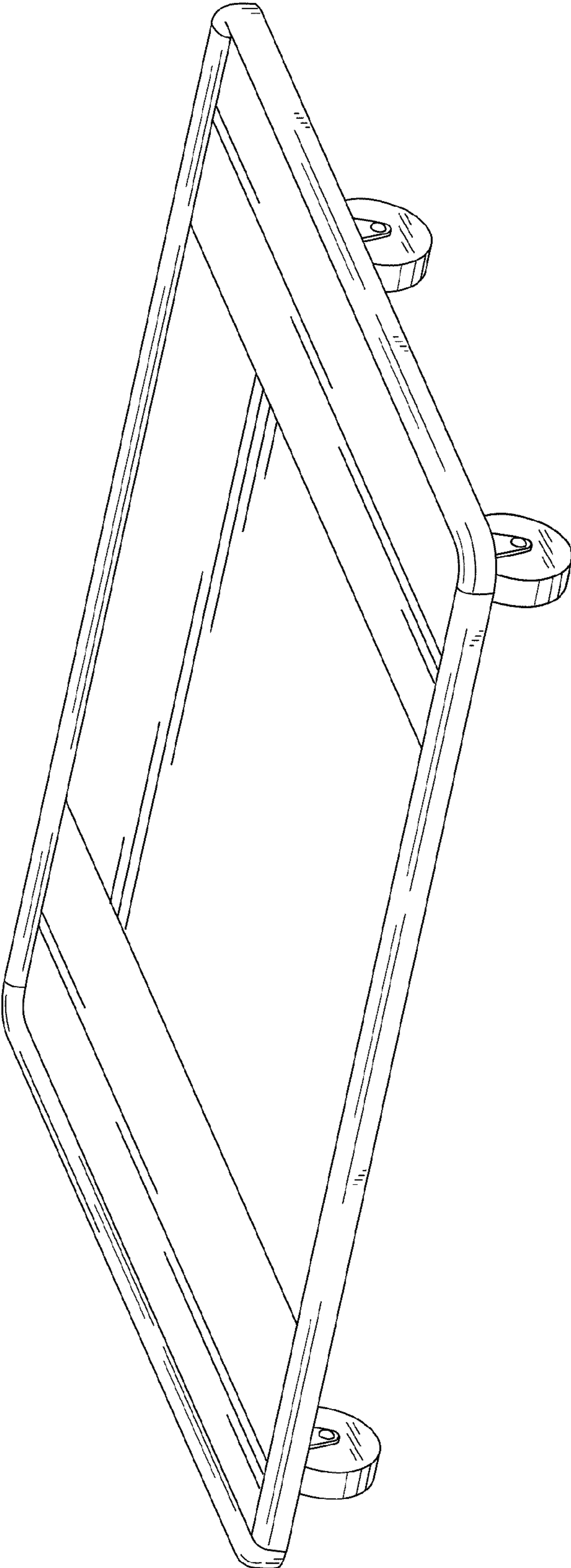


Fig. 1

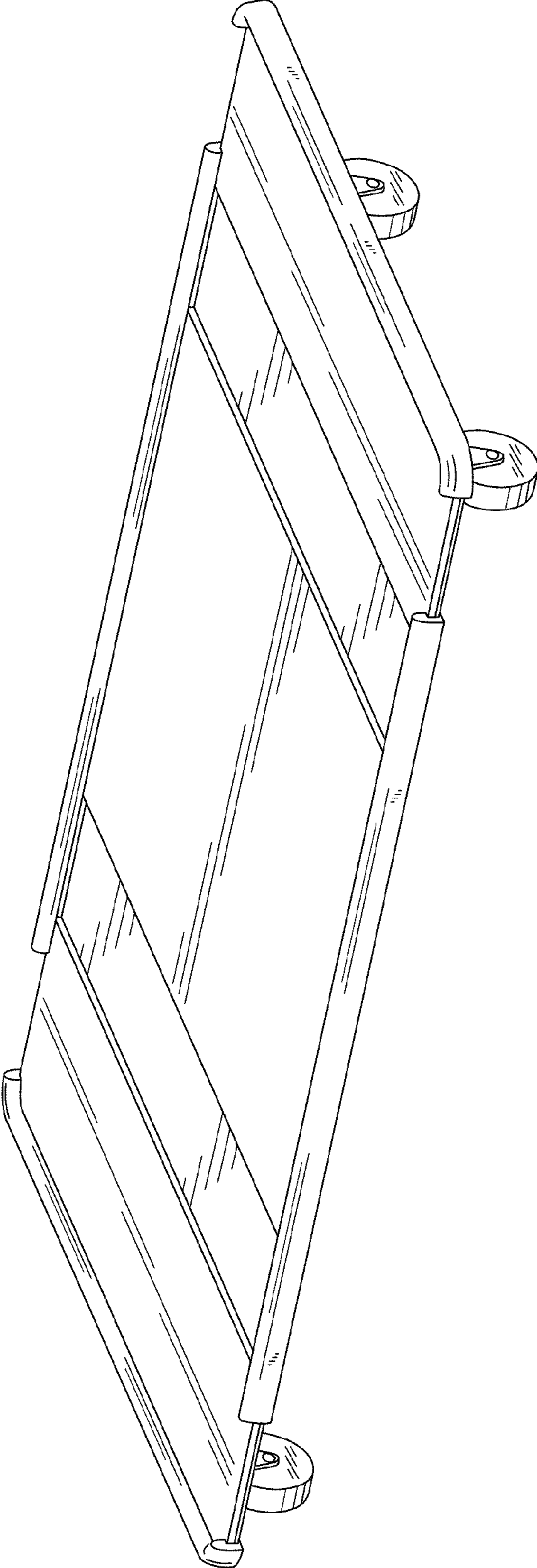


Fig. 2

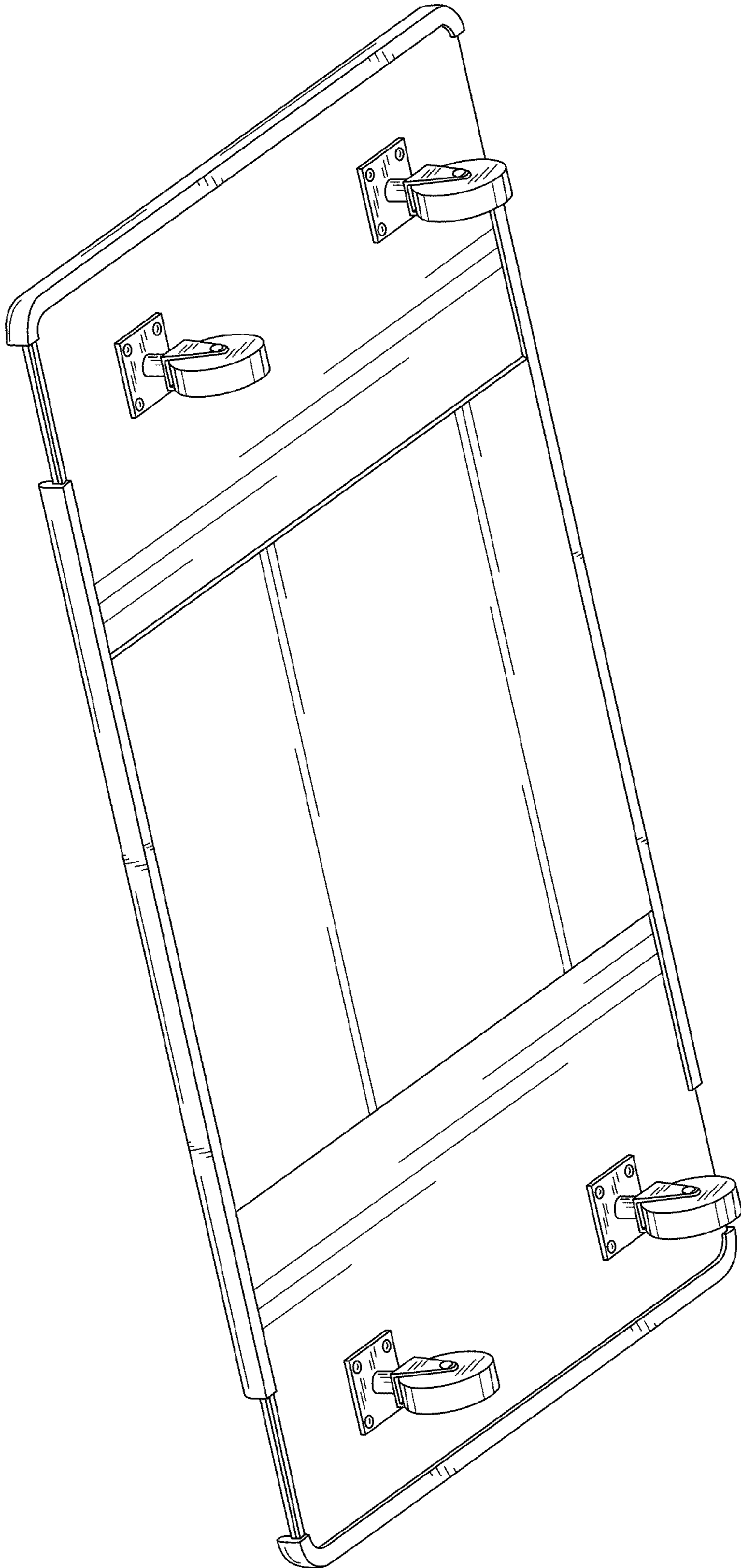


Fig. 3

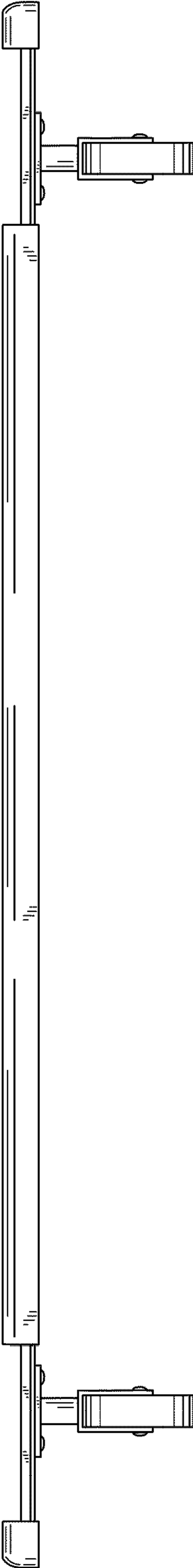


Fig. 4



Fig. 5



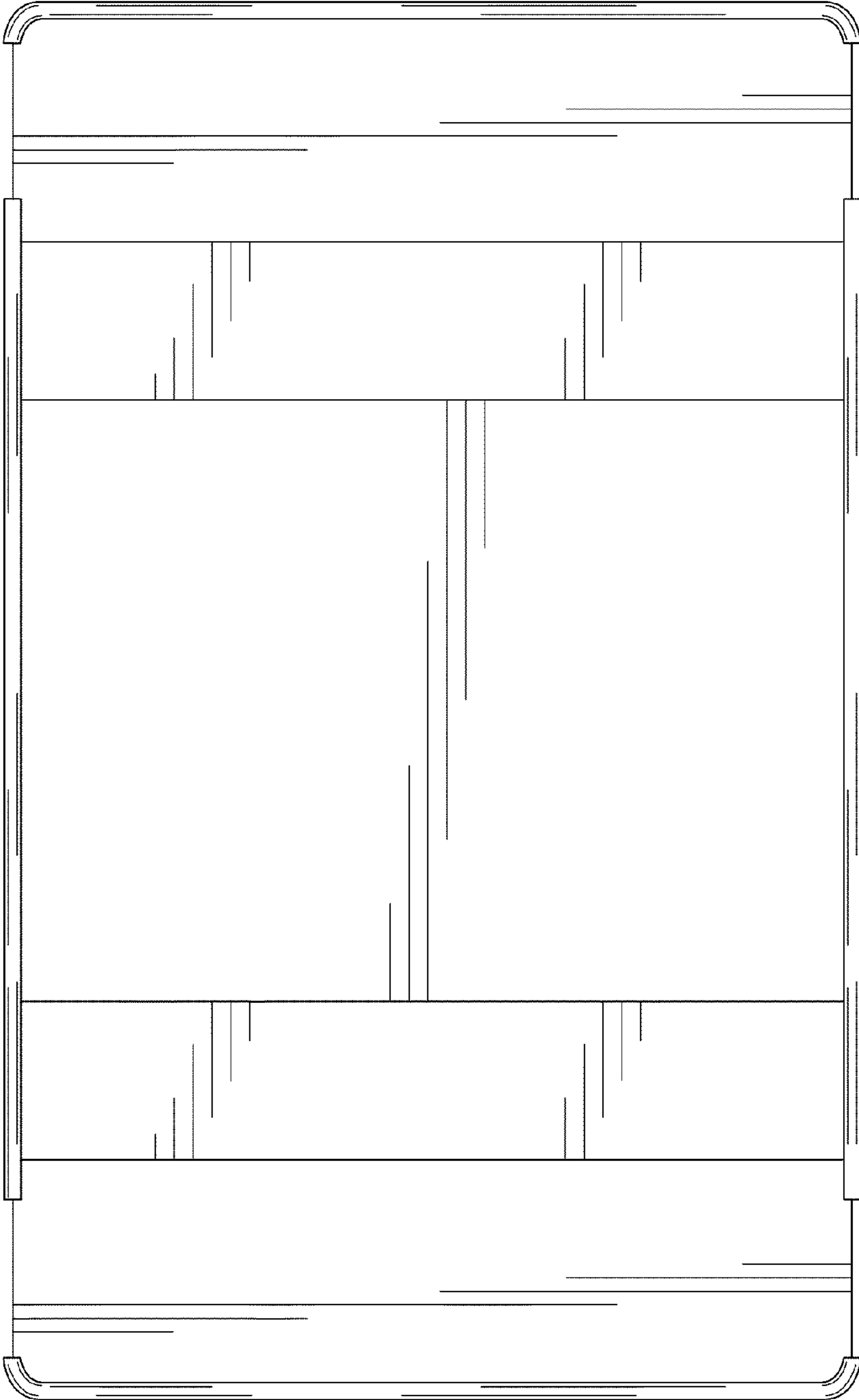


Fig. 6

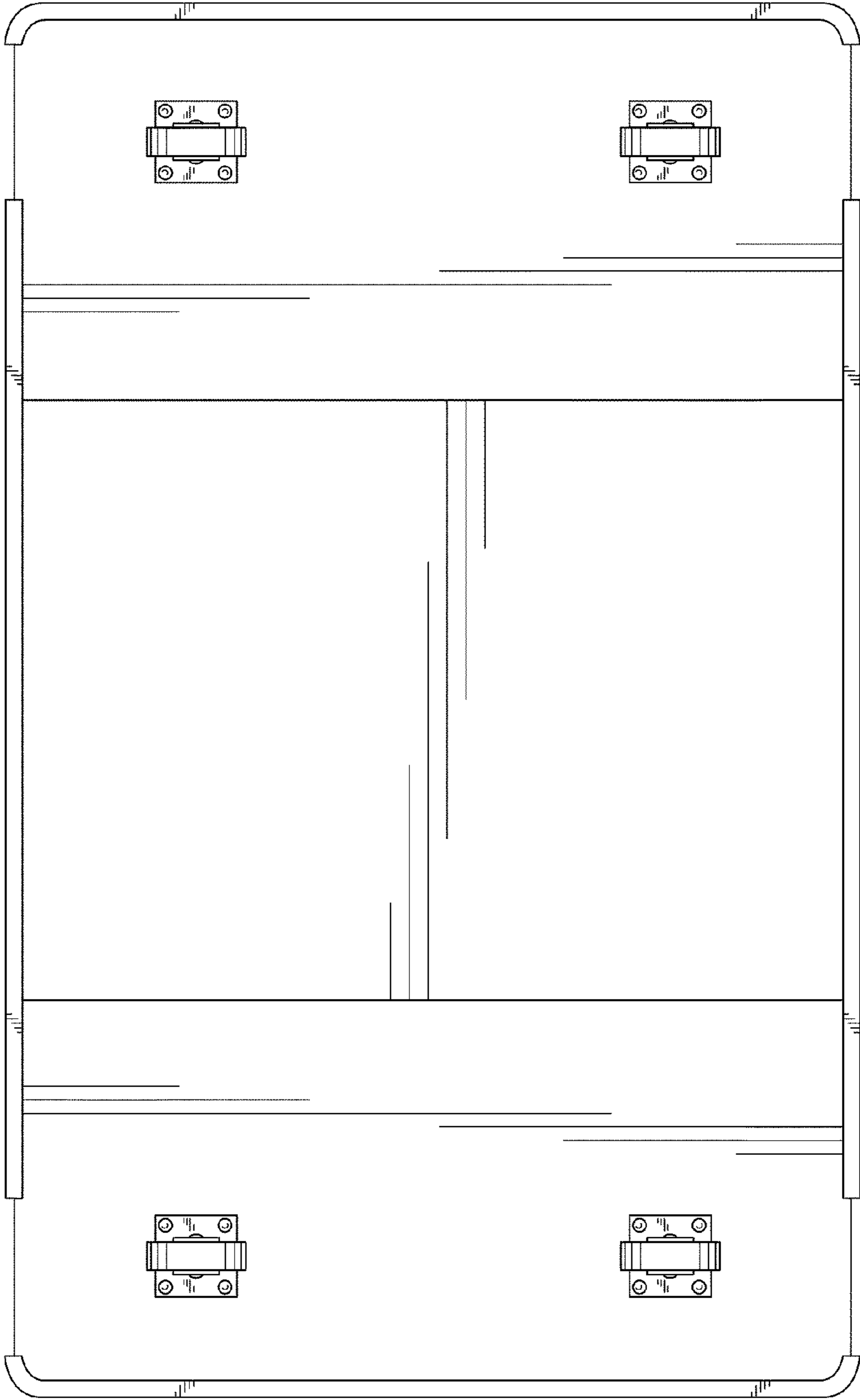


Fig. 7