



US00D650544S

(12) **United States Design Patent**
Smiley et al.

(10) **Patent No.:** **US D650,544 S**

(45) **Date of Patent:** **** Dec. 13, 2011**

(54) **ICE CONTAINER**

(75) Inventors: **Charles F. Smiley**, Waunakee, WI (US);
Carl R. Neess, Pardeville, WI (US)

(73) Assignee: **The Vollrath Company, L.L.C.**,
Sheboygan, WI (US)

(**) Term: **14 Years**

(21) Appl. No.: **29/369,845**

(22) Filed: **Sep. 14, 2010**

(51) **LOC (9) Cl.** **12-02**

(52) **U.S. Cl.** **D34/19; D7/605**

(58) **Field of Classification Search** D7/605-607,
D7/629; D34/1, 5, 19; 62/457.1, 457.7,
62/371, 372; 220/592.24, 592.27, 915.1,
220/915.2, 840, 908, 769, 819, 826, 836;
280/43.1, 43.24, 43.34, 47.26, 47.29, 47.2,
280/47.35, 79.2, 79.5, 47.17, 47, 26, 651,
280/652, 645, 655

See application file for complete search history.

(56) **References Cited**

U.S. PATENT DOCUMENTS

4,749,101	A *	6/1988	Durkan, Jr.	220/840
D303,307	S *	9/1989	Juergens	D34/19
D324,440	S	3/1992	Daugherty	
D370,159	S *	5/1996	Fenton et al.	D7/605
D411,784	S	7/1999	Houry	
6,053,354	A *	4/2000	Niemeyer	220/819
D424,883	S *	5/2000	Jarvis et al.	D34/19
6,203,034	B1 *	3/2001	Houry	280/47.34
D468,071	S *	12/2002	Le et al.	D34/19
D497,517	S	10/2004	Reuter	

OTHER PUBLICATIONS

“SlidingLid™ Ice Caddies,” Cambro U.S.A. 2010 catalog, at least as early as Oct. 27, 2010, p. 134, published by Cambro U.S.A., Huntington Beach, CA.

“IC225403-Cateraide™ Ice Caddy (4 Swivel Casters)-Black,” Carlisle FoodService Products Web page, at least as early as Oct. 27, 2010, p. 1, published by Carlisle FoodService Products, Oklahoma City, OK.

“ConServ™ Ice Bins,” Continental Commercial Products Web site, at least as early as Oct. 27, 2010, p. 1, published by Continental Manufacturing Company, Bridgeton, MO.

* cited by examiner

Primary Examiner — Terry Wallace

(74) *Attorney, Agent, or Firm* — Foley & Lardner LLP

(57) **CLAIM**

The ornamental design for an ice container, as shown and described.

DESCRIPTION

FIG. 1 is a front elevational view of an ice container according to the design;

FIG. 2 is a top plan view thereof;

FIG. 3 is a left side elevational view thereof;

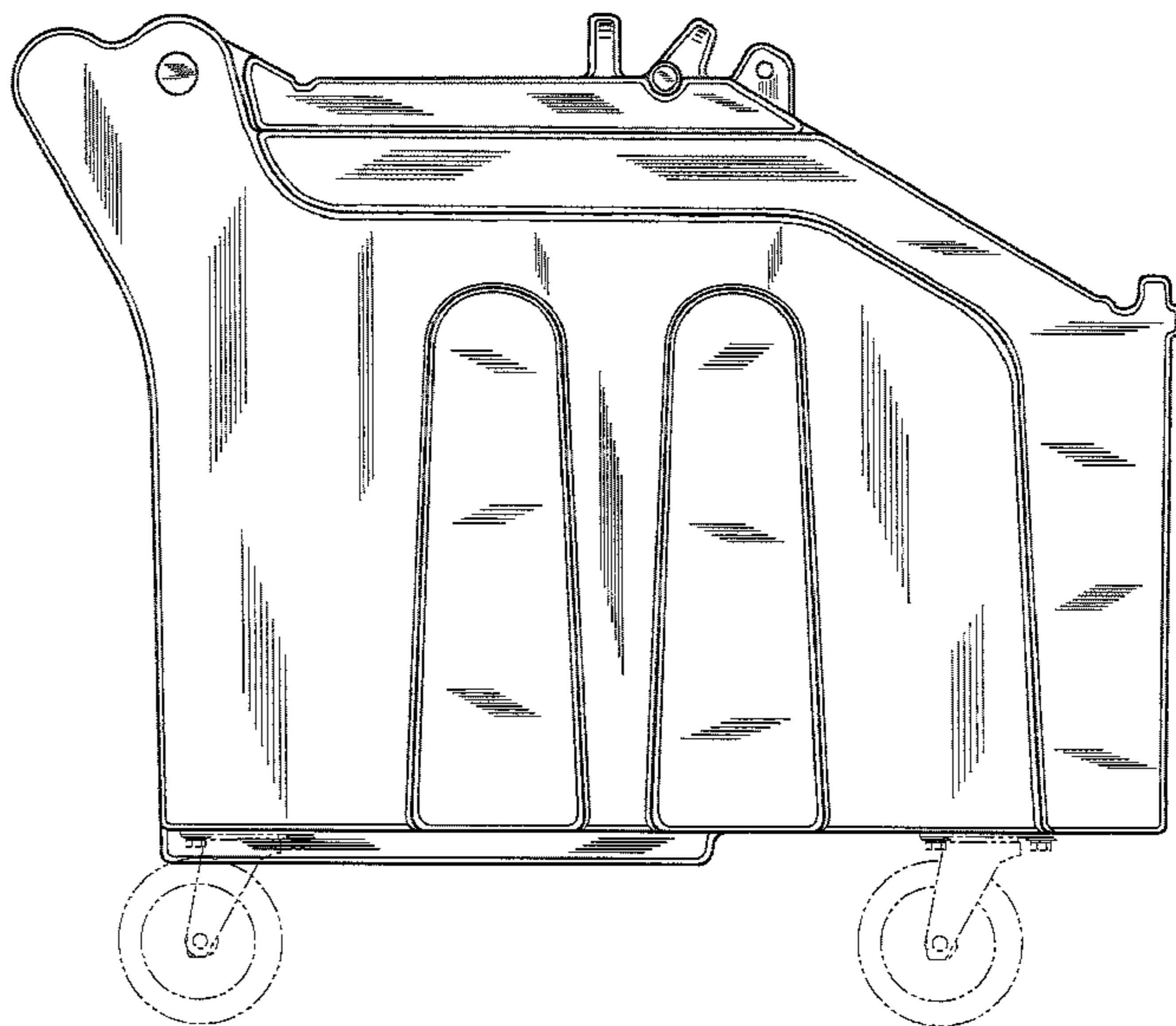
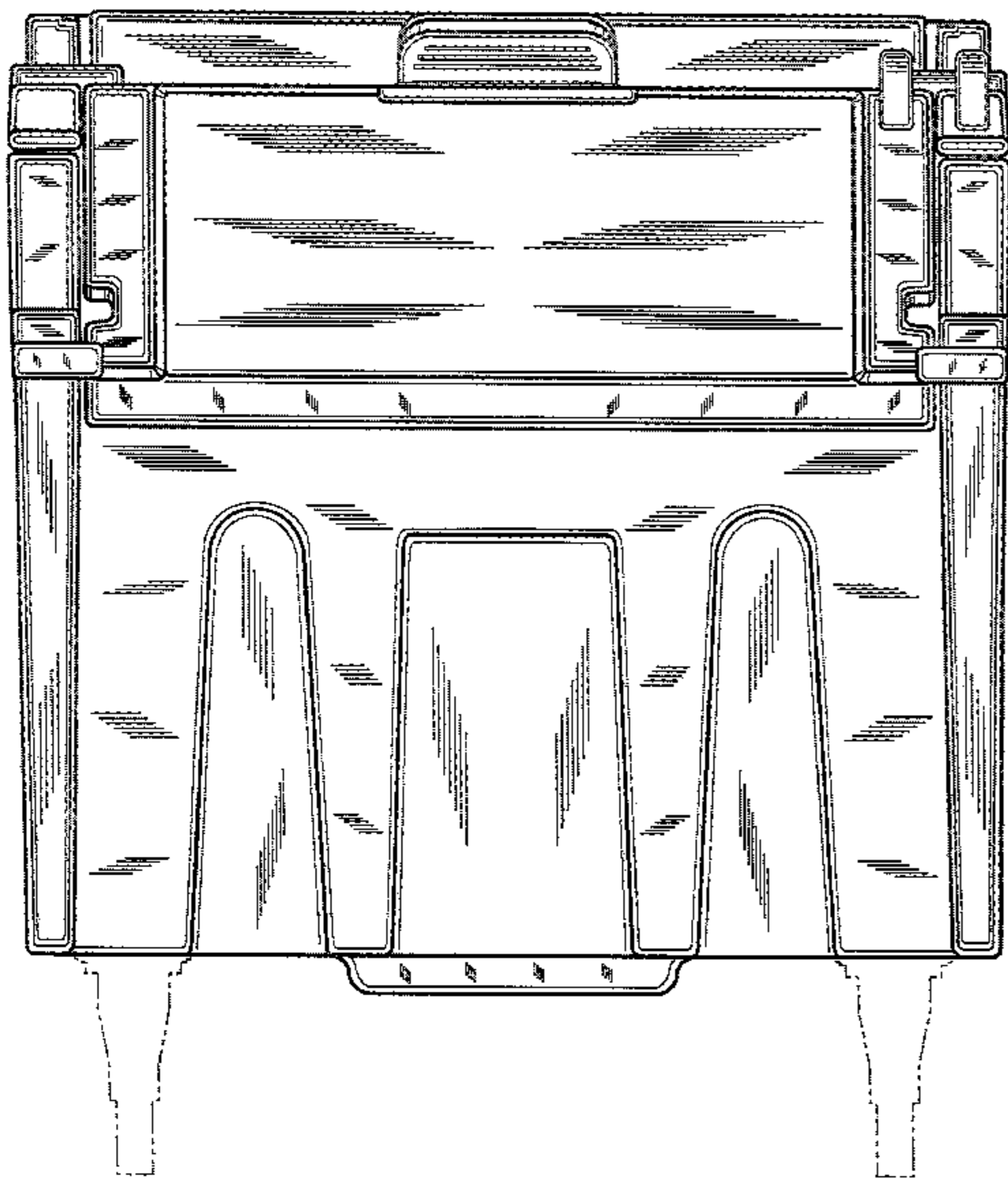
FIG. 4 is a right side elevational view thereof; and,

FIG. 5 is a rear elevational view thereof.

The bottom of the ice container forms no part of the claimed design.

The broken line shown in FIGS. 1 and 3-5 is for illustrative purposes only and forms no part of the claimed design.

1 Claim, 5 Drawing Sheets



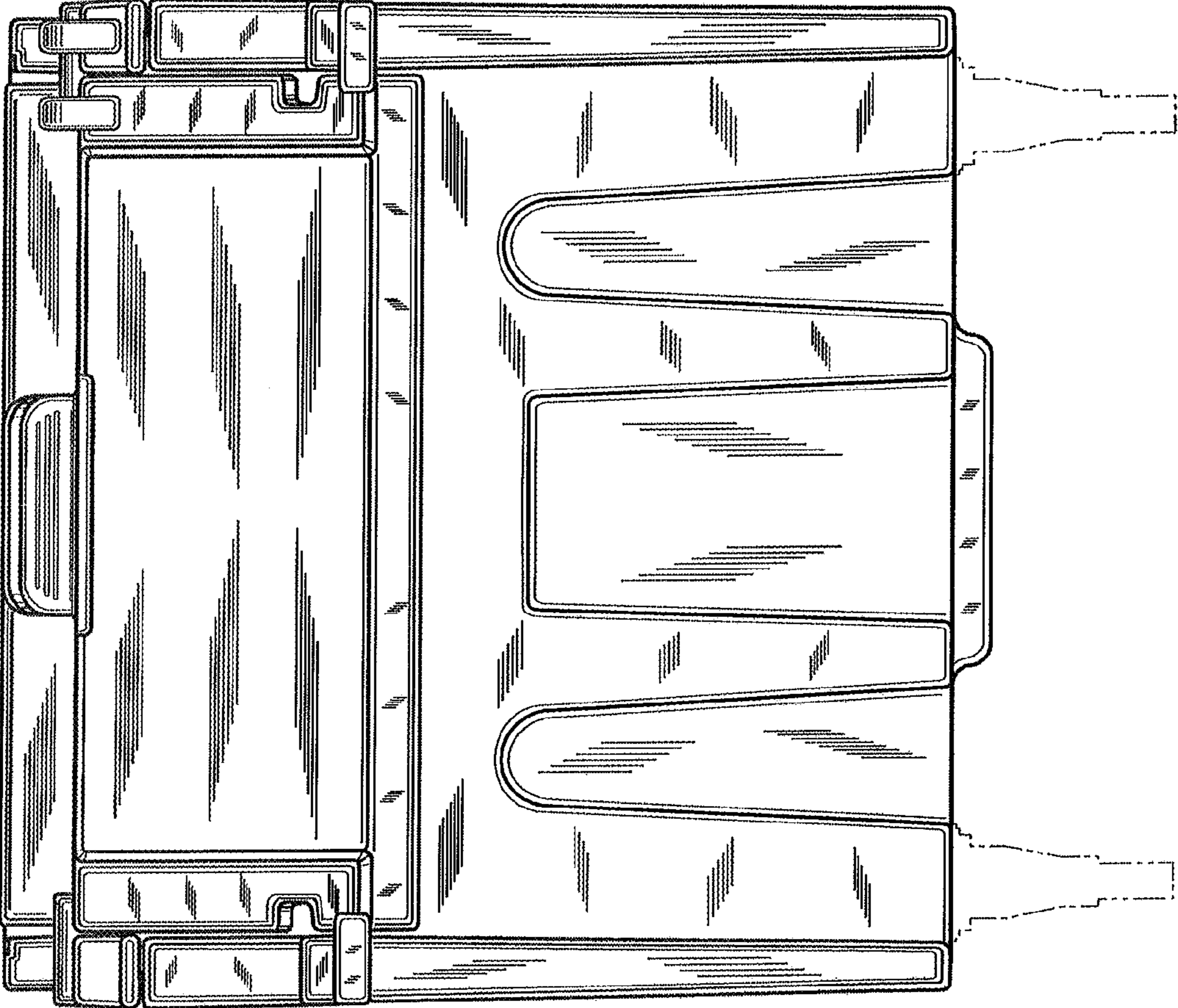


FIG. 1

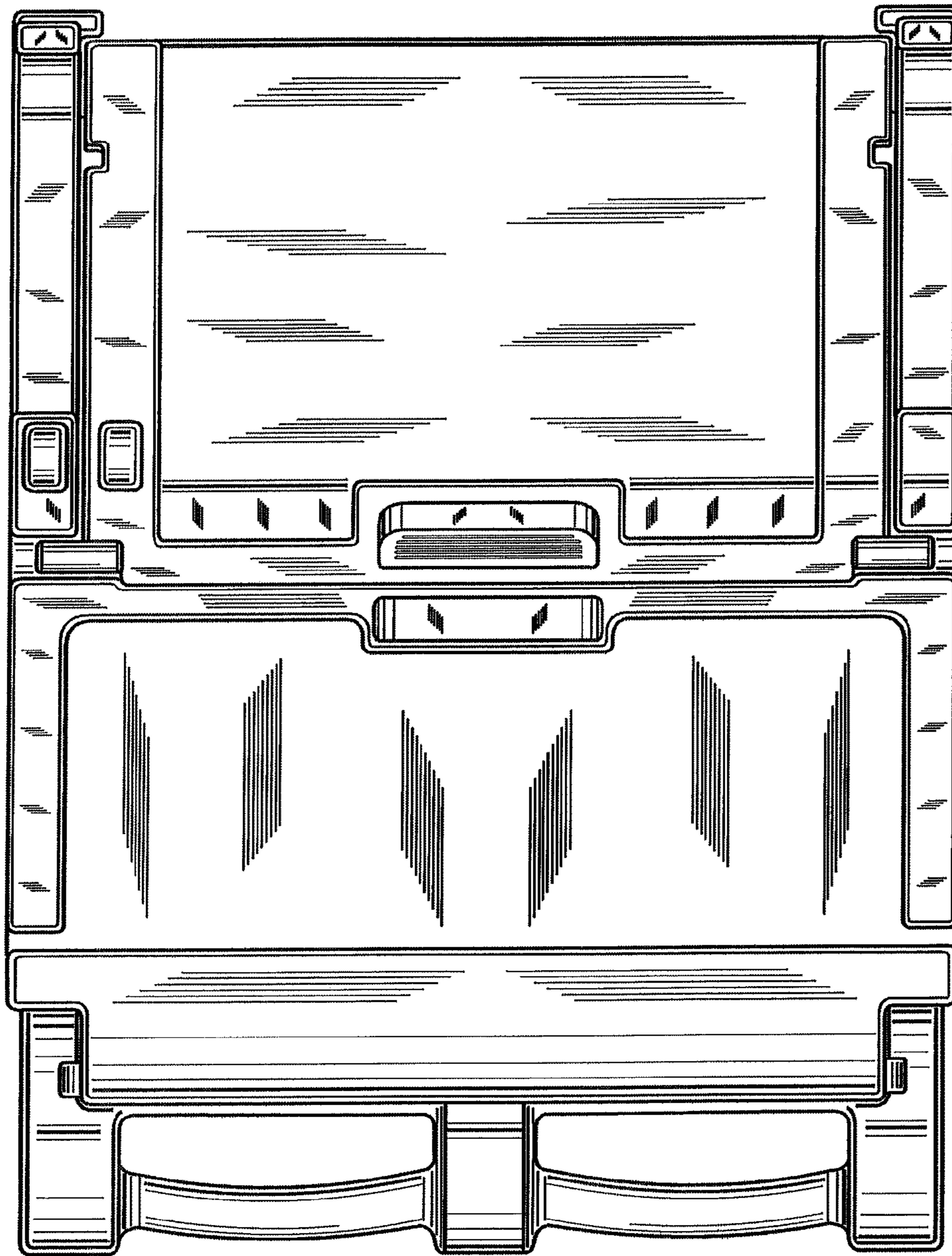


FIG. 2

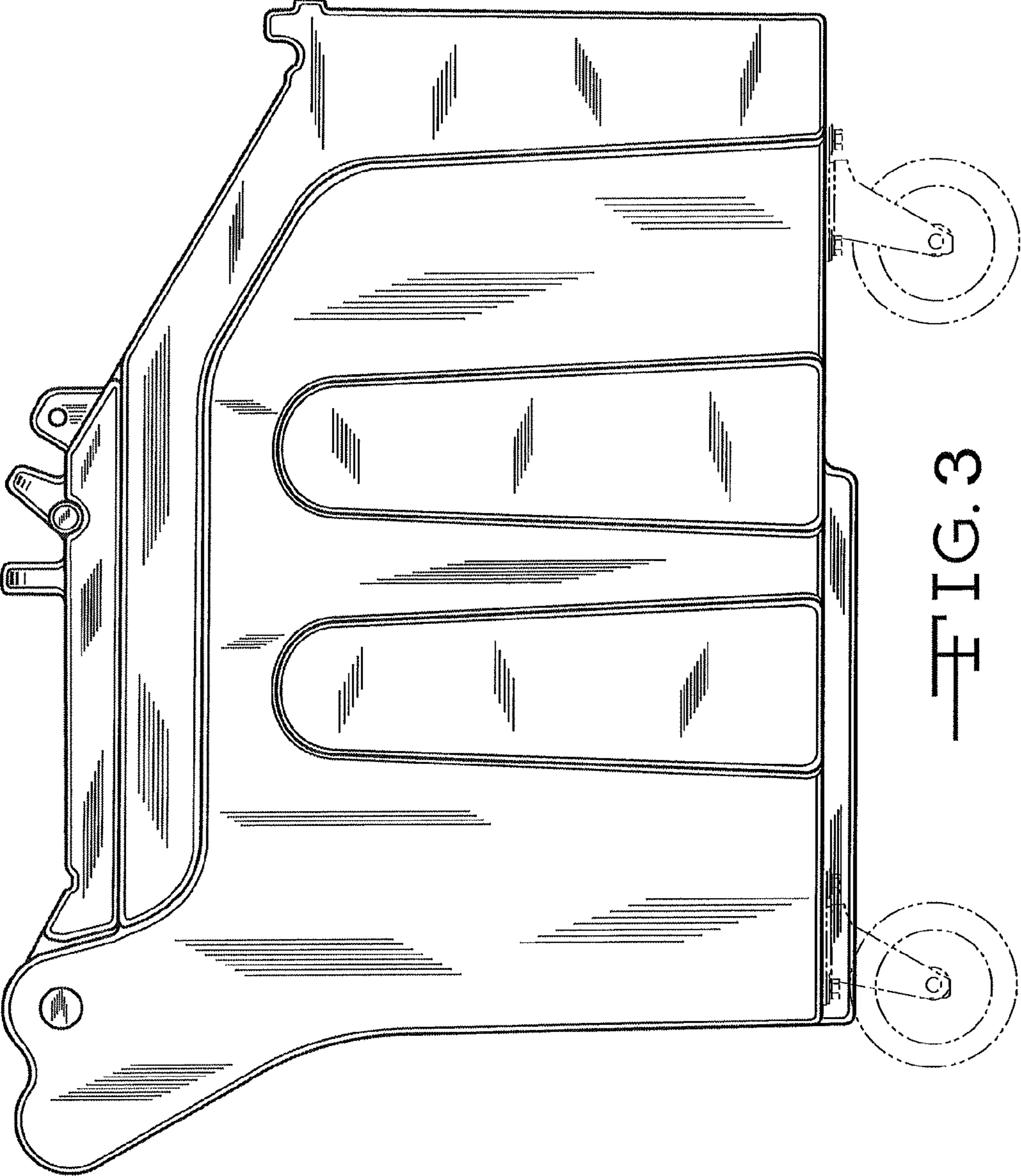


FIG. 3

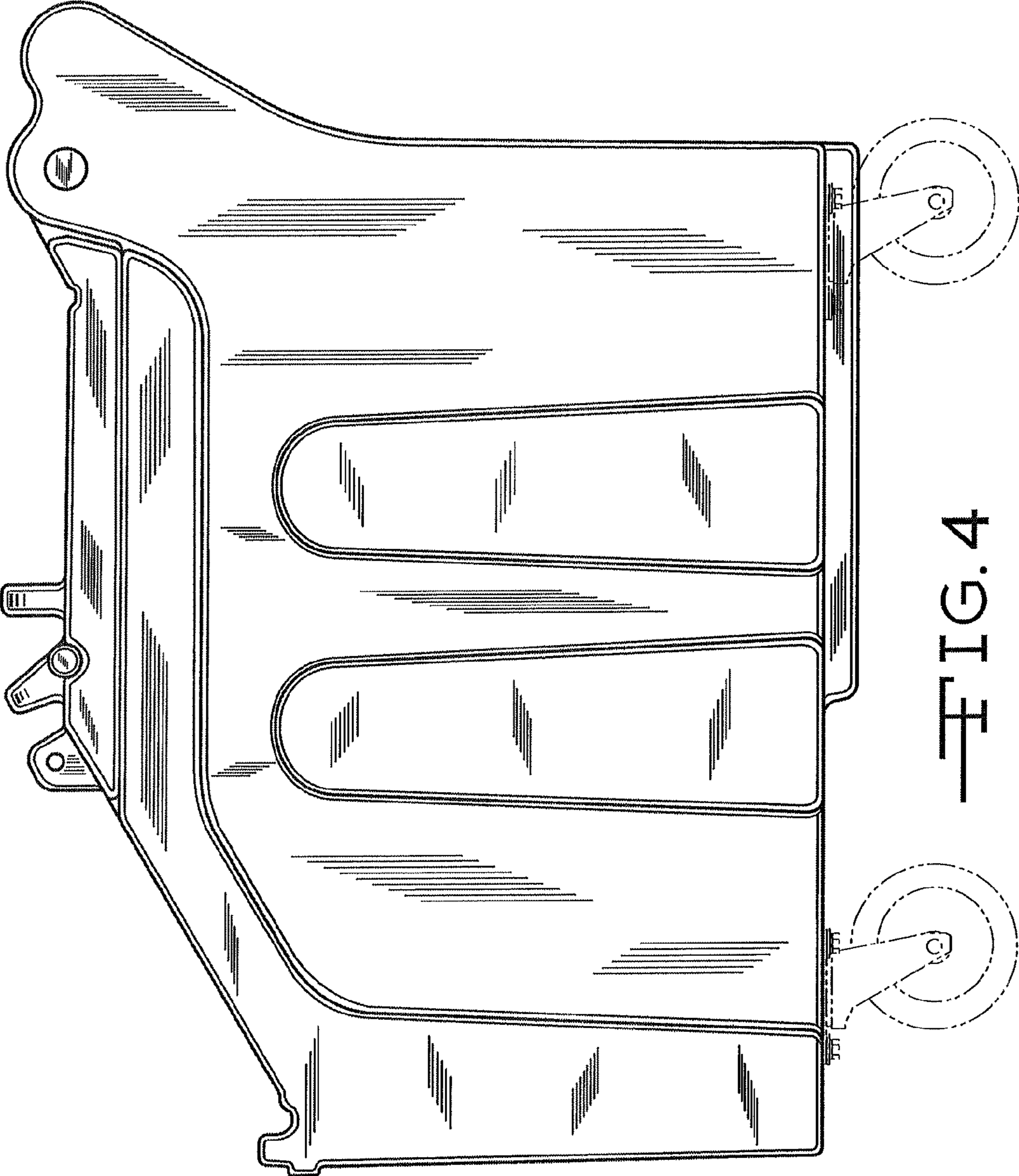


FIG. 4

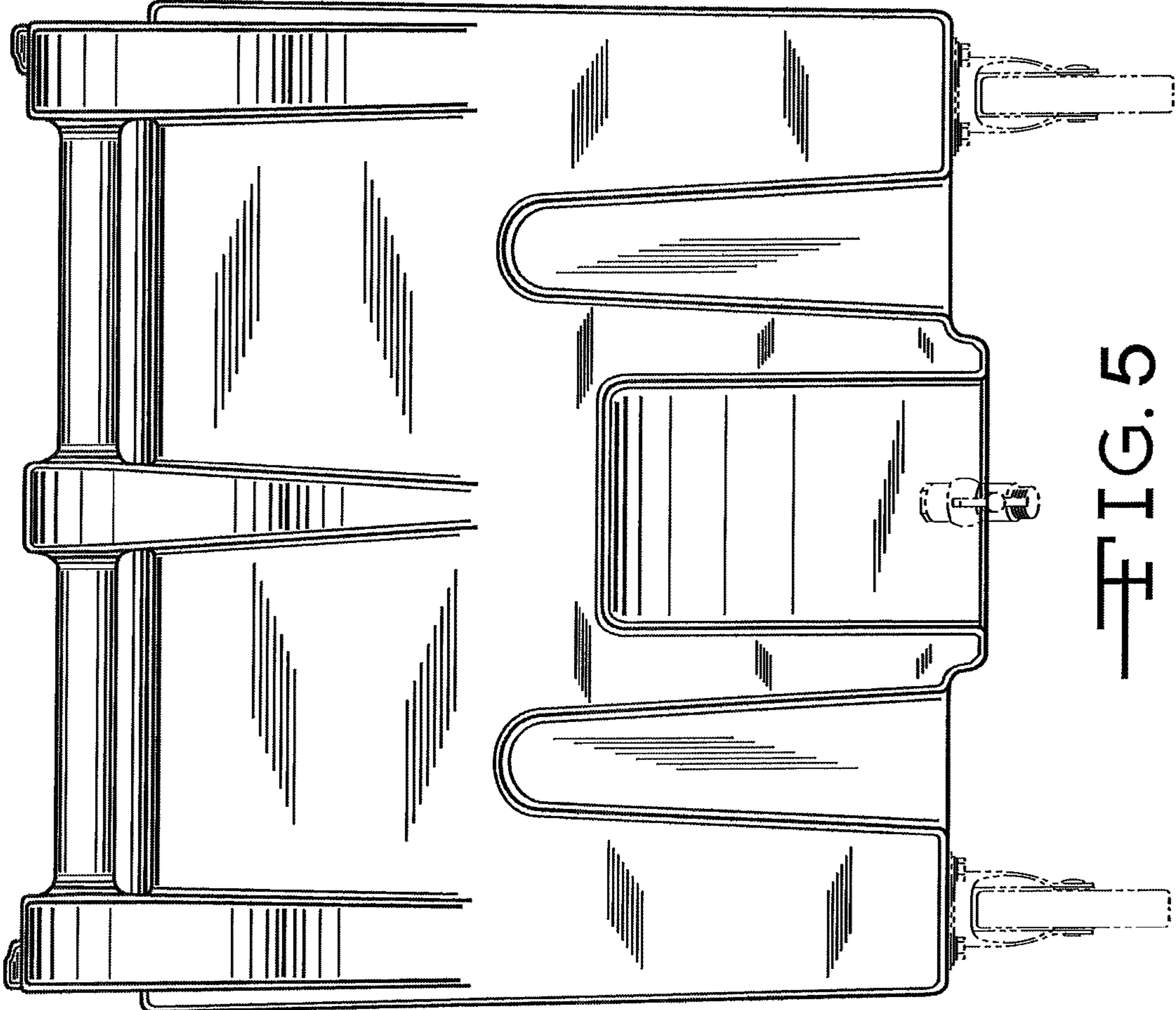


FIG. 5