



US00D650543S

(12) **United States Design Patent**
Smart

(10) **Patent No.:** **US D650,543 S**

(45) **Date of Patent:** **** Dec. 13, 2011**

(54) **TRASH BAG HOLDER**

Primary Examiner — Cynthia Ramirez

(76) Inventor: **Ralph M. Smart**, Inman, SC (US)

(74) *Attorney, Agent, or Firm* — Paul R. Martin

(**) Term: **14 Years**

(57) **CLAIM**

(21) Appl. No.: **29/373,187**

The ornamental design for a trash bag holder, as shown and described.

(22) Filed: **Mar. 15, 2011**

(51) **LOC (9) Cl.** **09-09**

(52) **U.S. Cl.** **D34/6**

(58) **Field of Classification Search** D34/1-11;
D7/605; D3/307; 248/95, 97, 99, 100, 101
See application file for complete search history.

DESCRIPTION

(56) **References Cited**

U.S. PATENT DOCUMENTS

575,902	A *	1/1897	Nicholas	248/97
4,174,085	A	11/1979	Ferreira et al.		
4,376,520	A *	3/1983	Wetherington	248/97
4,889,300	A *	12/1989	Gibson et al.	248/97
4,946,118	A	8/1990	Hastings		
5,065,965	A	11/1991	Aulabaugh		
D353,695	S *	12/1994	Turner	D34/5
5,499,787	A *	3/1996	Bonomo	248/97
6,030,010	A	2/2000	Graeff		
D422,391	S *	4/2000	Whitlock	D34/6
D486,617	S *	2/2004	Binder et al.	D34/6

FIG. 1 is a perspective view of the trash bag holder of my new design.

FIG. 2 is a bottom plan view of my new design for a trash bag holder showing the legs in a folded position.

FIG. 3 is an top plan view of the trash bag holder shown in FIG. 1.

FIG. 4 is a bottom plan view of the trash bag holder shown in FIG. 1.

FIG. 5 is a front elevational view of the trash bag holder shown in FIG. 1.

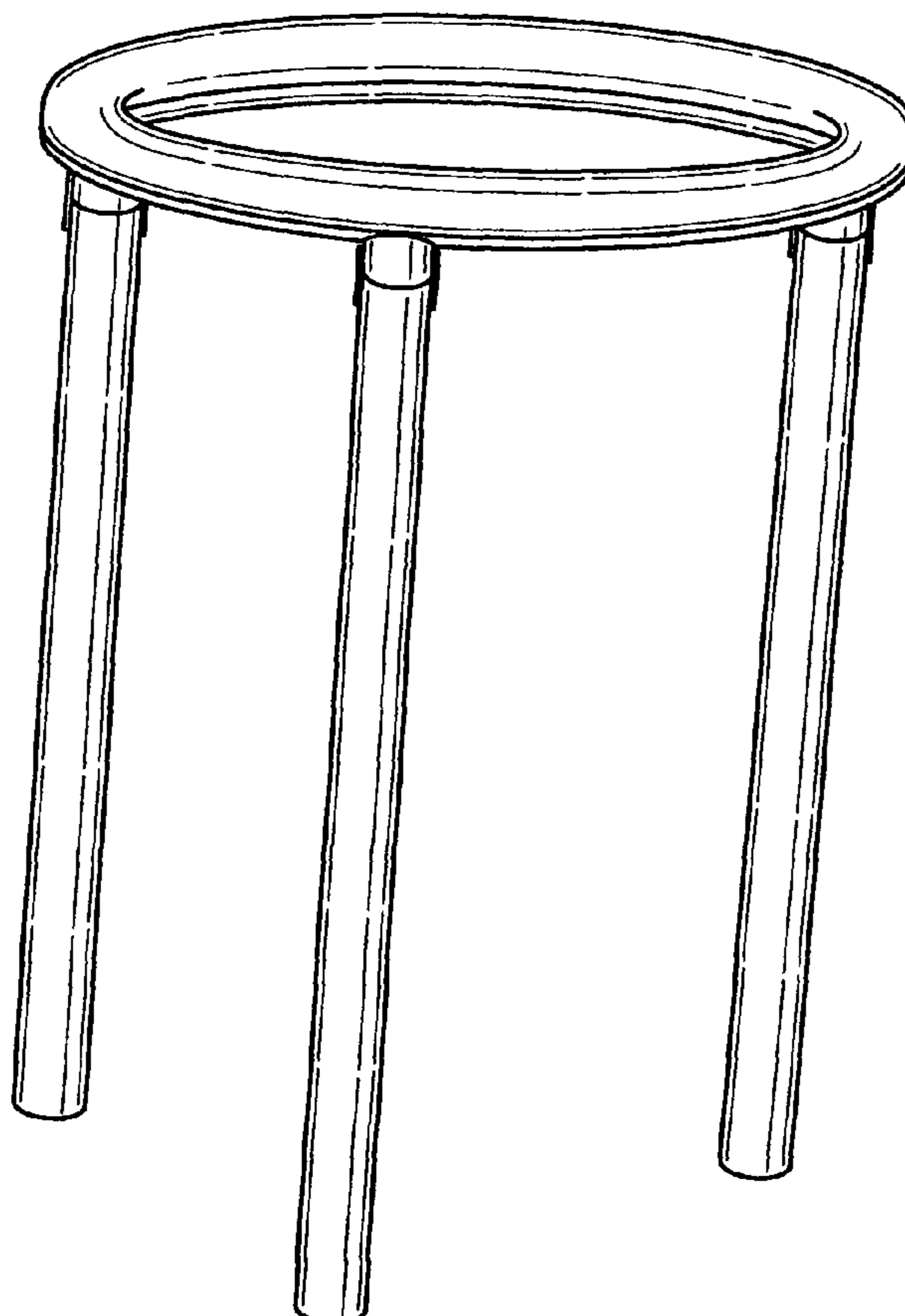
FIG. 6. is a rear elevational view of the trash bag holder shown FIG. 1.

FIG. 7 is a right side elevational view of the trash bag holder shown in FIG. 1; and,

FIG. 8 is a left side elevational view of the trash bag holder shown in FIG. 1.

* cited by examiner

1 Claim, 5 Drawing Sheets



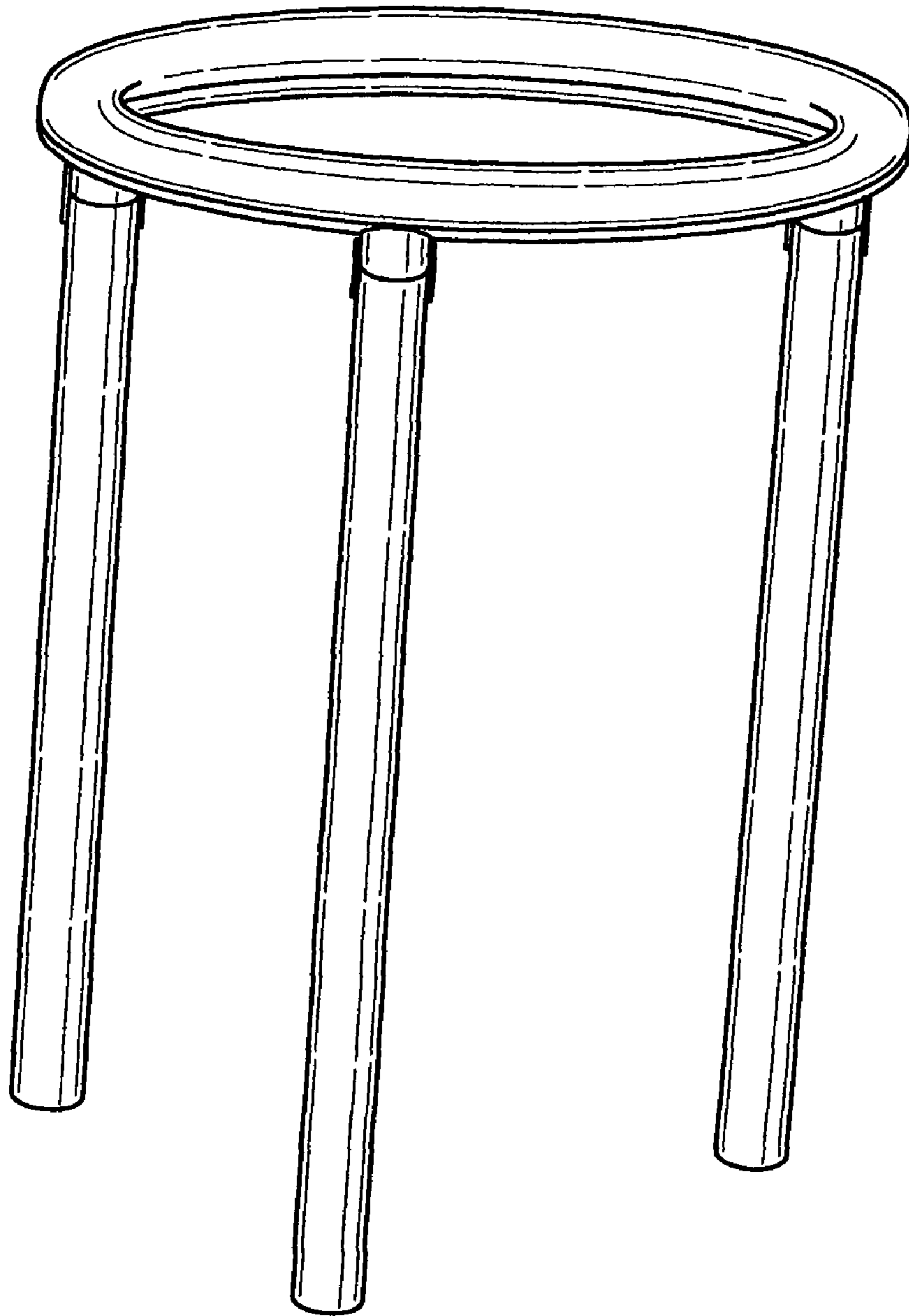


FIG. 1

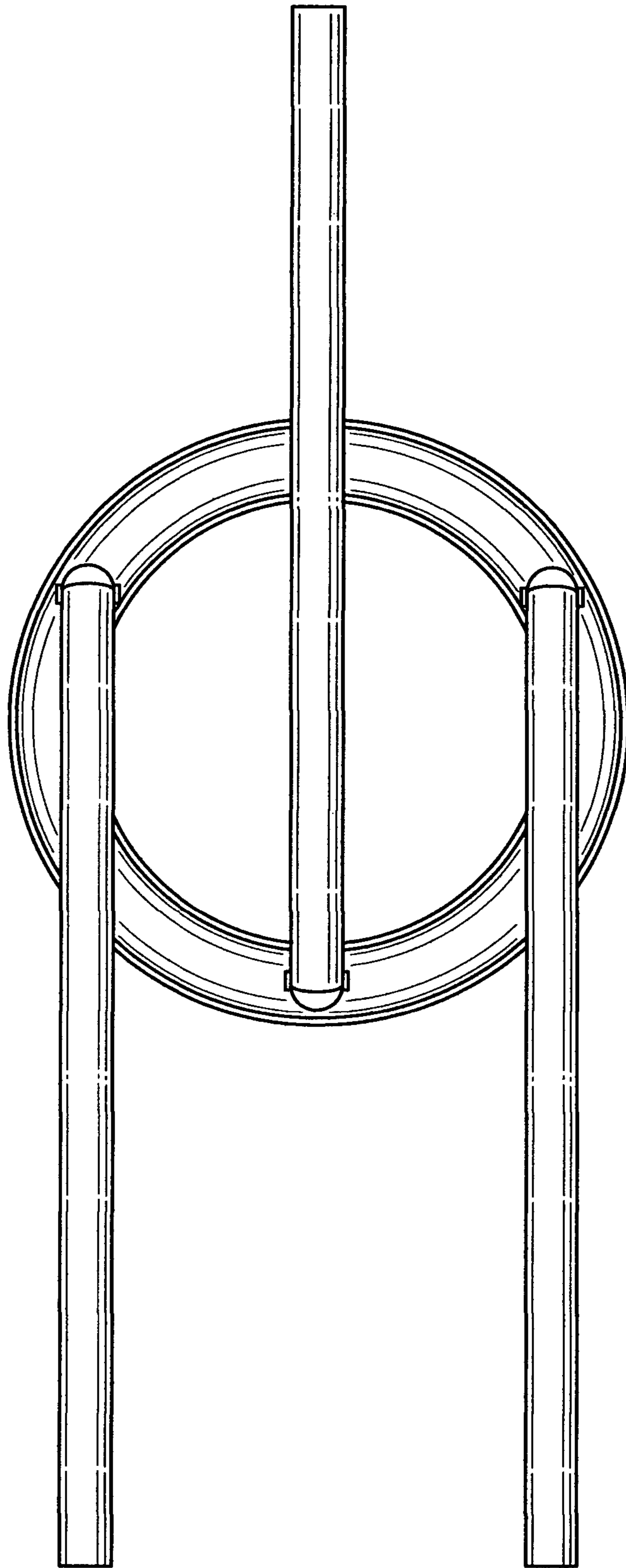


FIG. 2

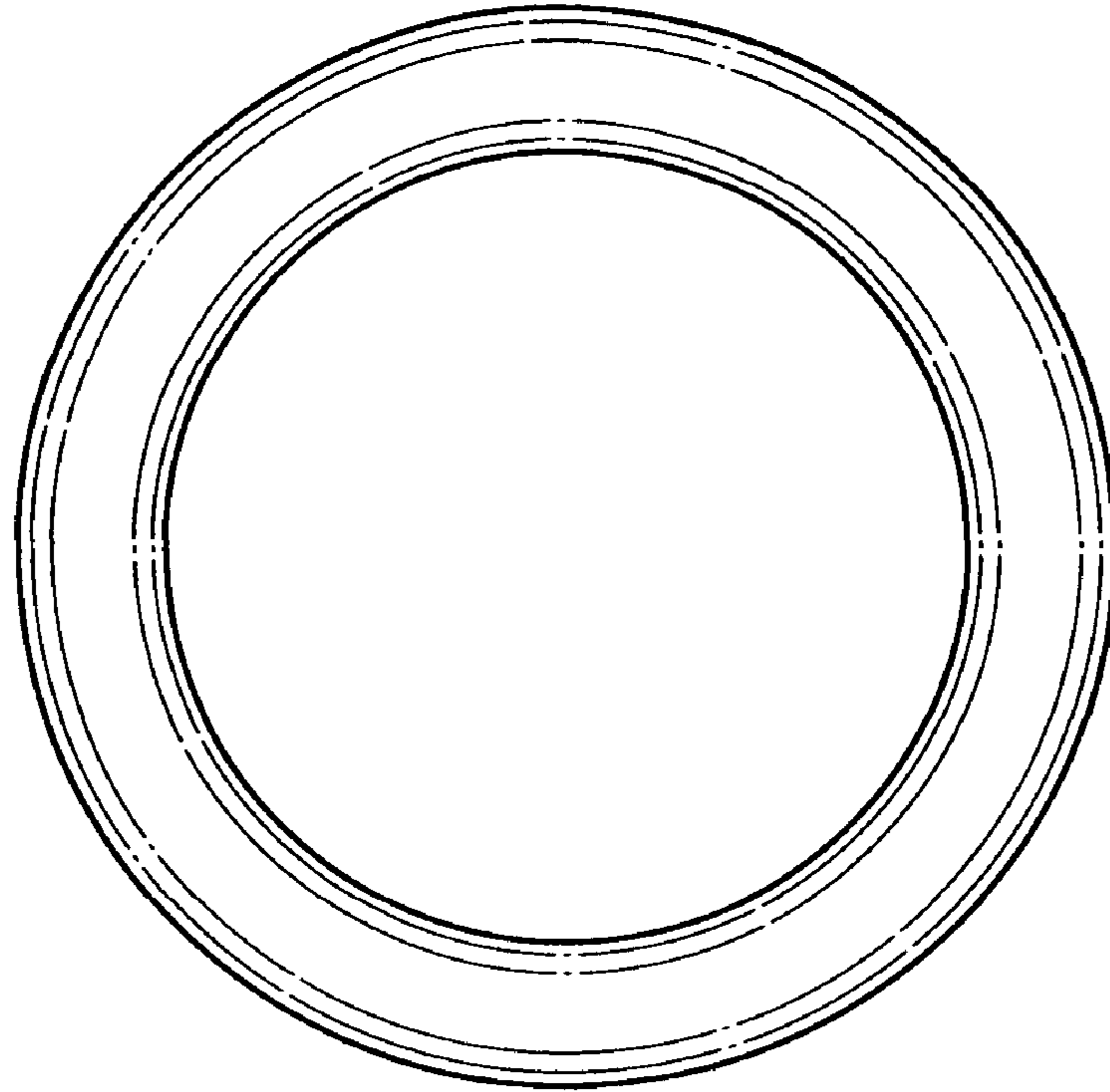


FIG. 3

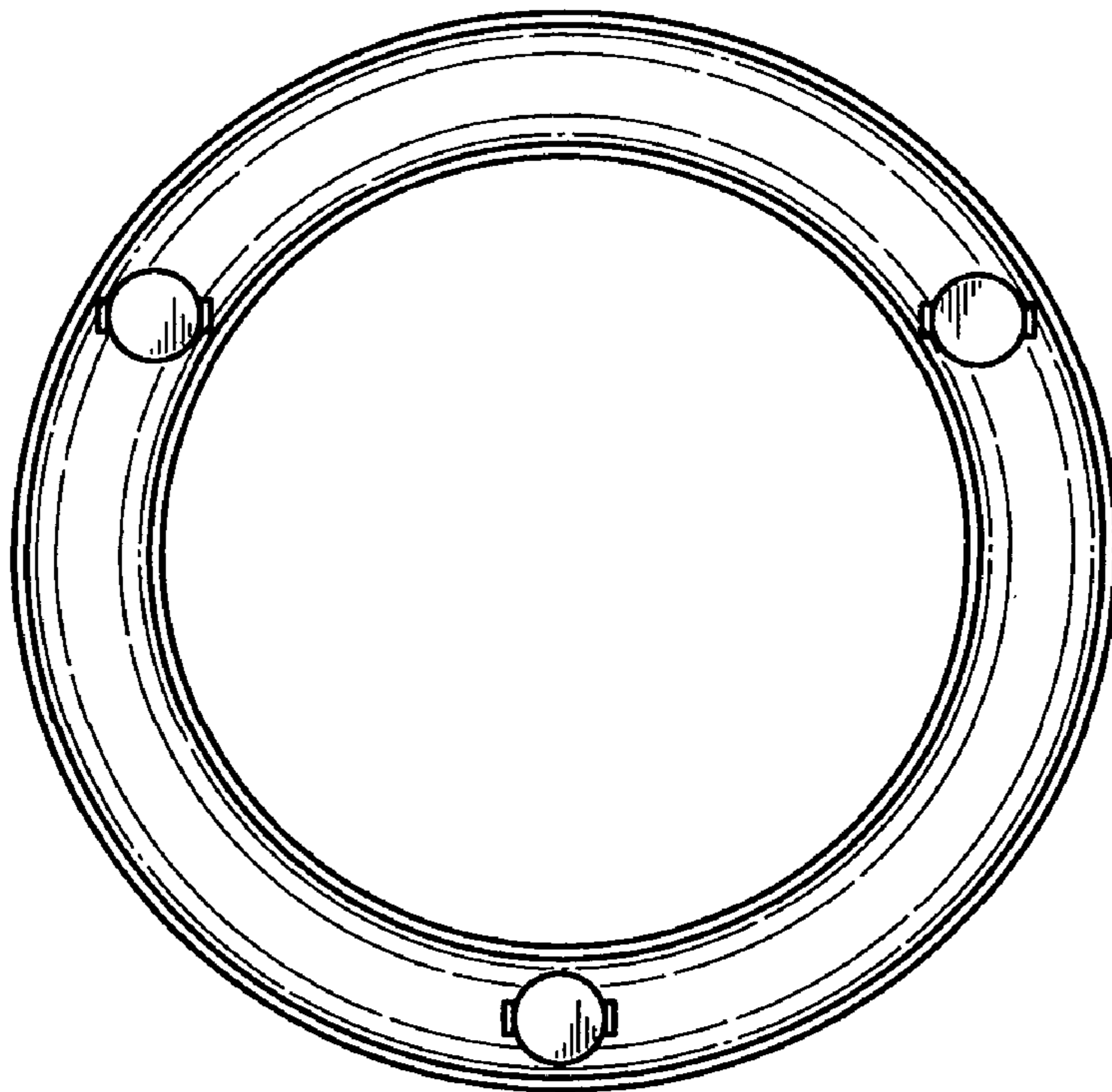


FIG. 4

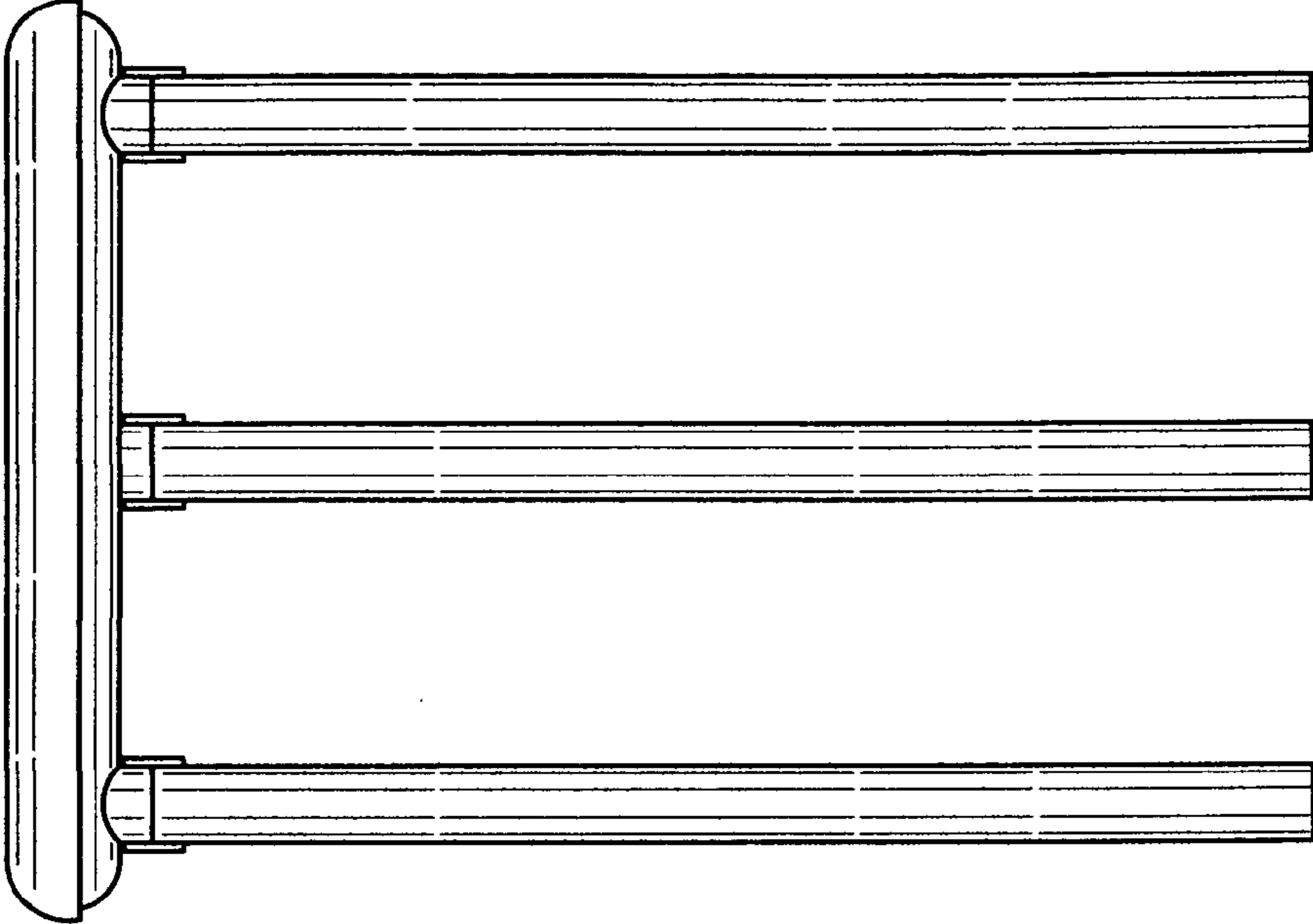


FIG. 6

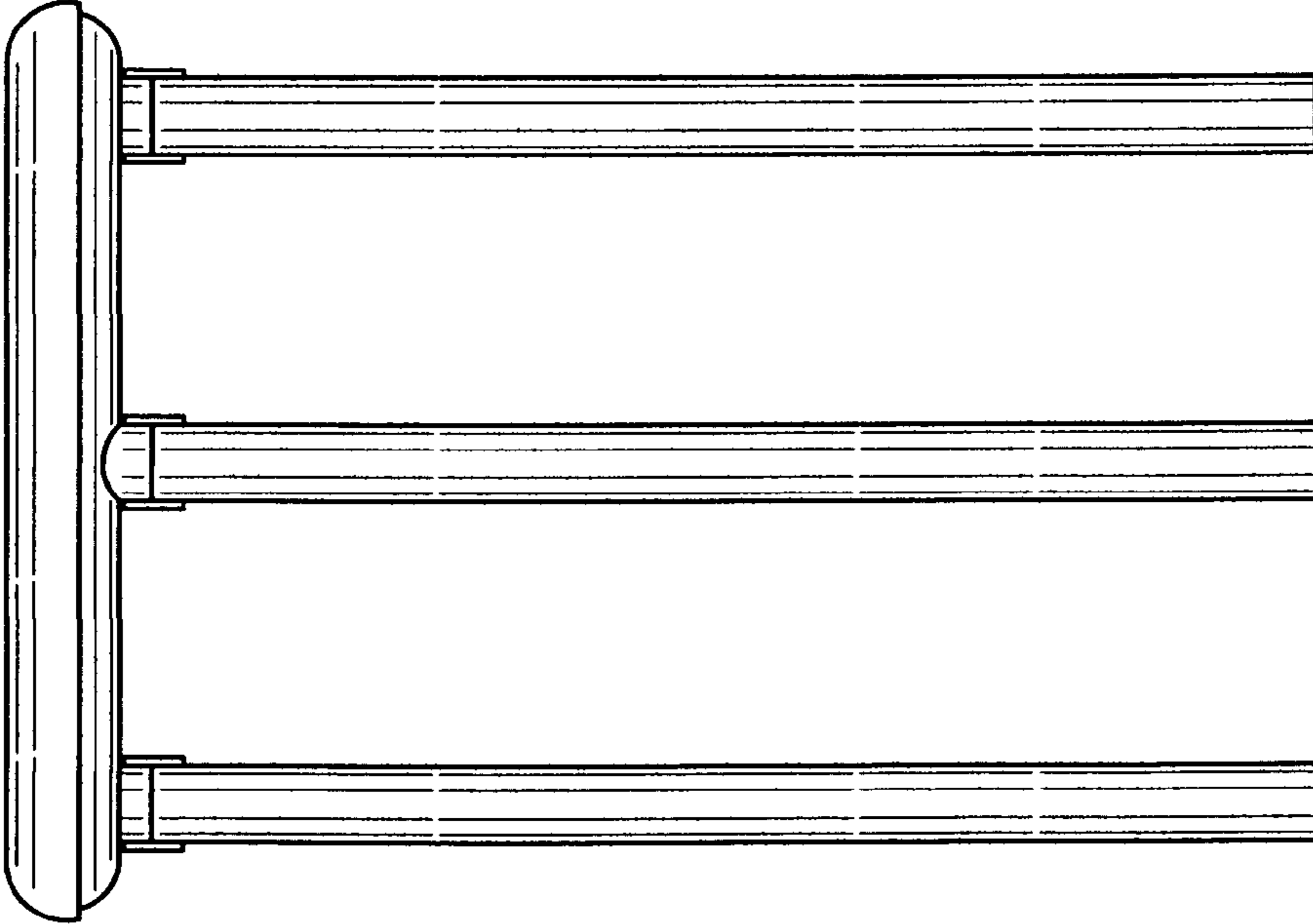


FIG. 5

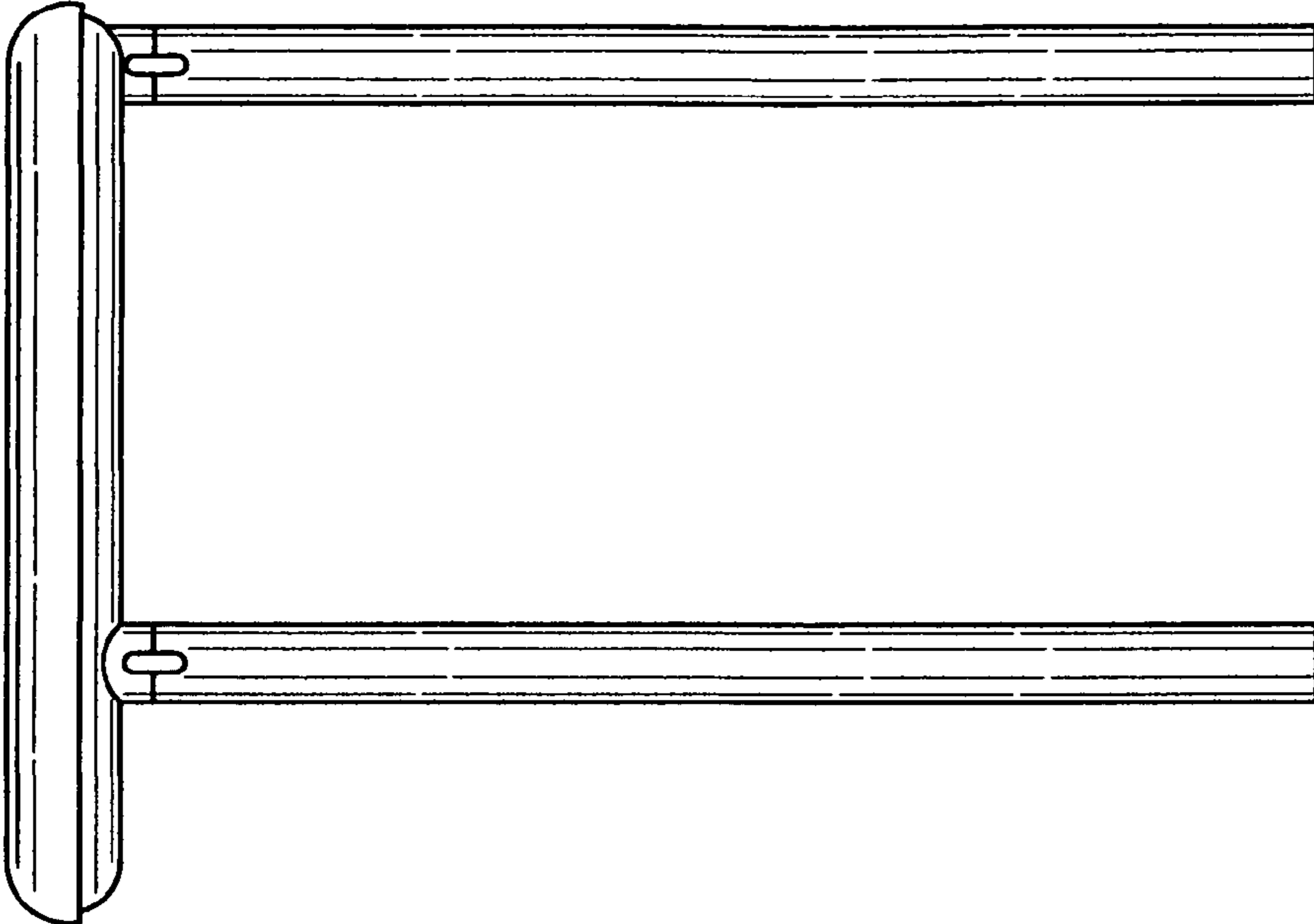


FIG. 8

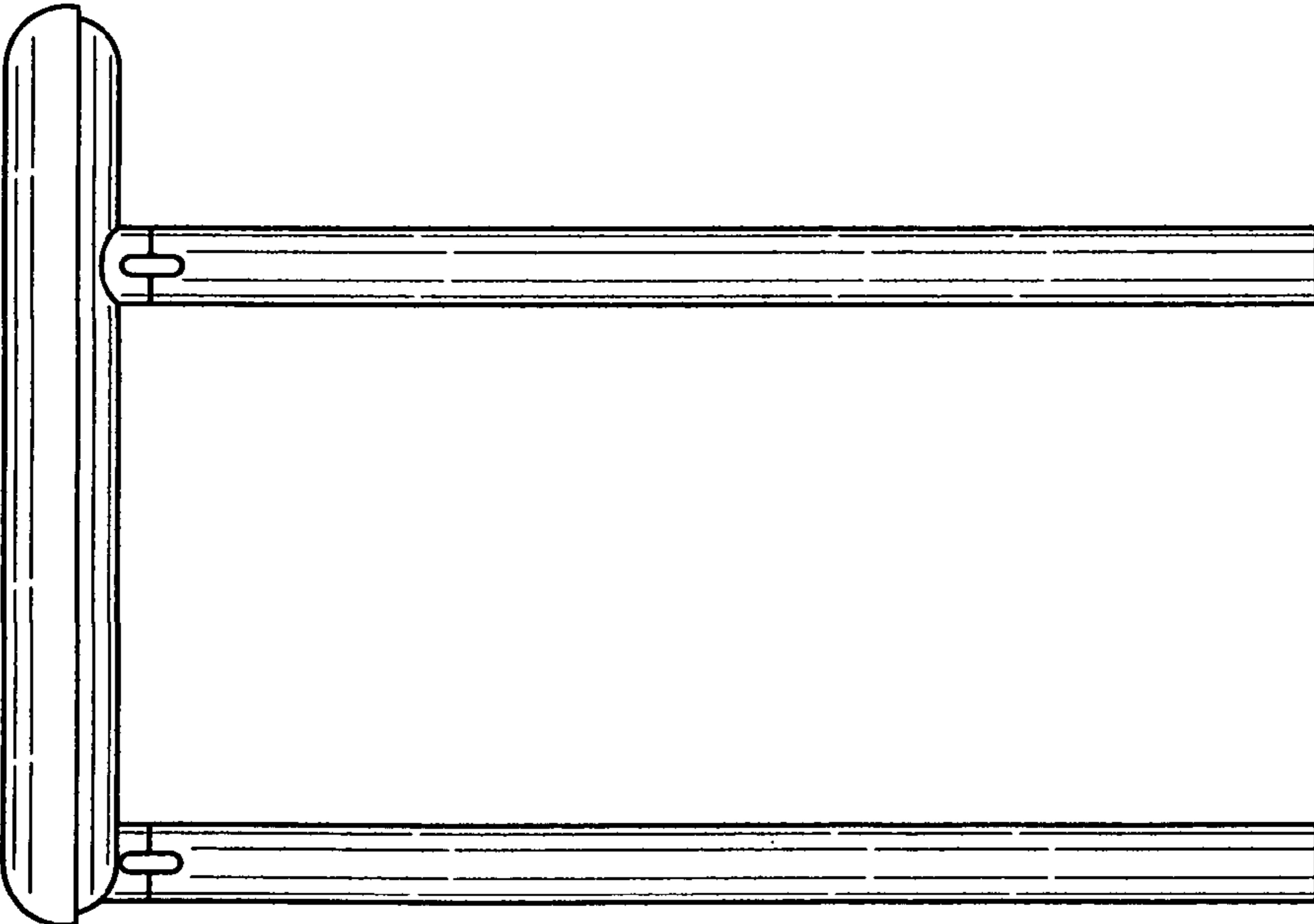


FIG. 7