



US00D650542S

(12) **United States Design Patent**  
**Kontorovich et al.**

(10) **Patent No.:** **US D650,542 S**  
(45) **Date of Patent:** **\*\* Dec. 13, 2011**

(54) **CLOTHES DRYING RACK**

(56) **References Cited**

(75) Inventors: **Boris Kontorovich**, Brooklyn, NY (US);  
**Tara Marie Marchionna**, New York,  
NY (US); **Anthony Torris**, Montclair,  
NJ (US); **Erica Eden Cohen**, New York,  
NY (US); **Richard Whitehall**, New  
York, NY (US)

(73) Assignee: **Helen of Troy Limited**, St. Michael  
(BB)

(\*\*) Term: **14 Years**

(21) Appl. No.: **29/360,504**

(22) Filed: **Apr. 27, 2010**

(51) **LOC (9) Cl.** ..... **07-05**

(52) **U.S. Cl.** ..... **D32/58**

(58) **Field of Classification Search** ..... D32/55,  
D32/276, 3, 58; D6/510, 525; 211/41.5,  
211/41.4, 41.3, 41.8, 195, 200; 361/679.4;  
312/311, 333, 334.4; D7/354, 629, 368

See application file for complete search history.

U.S. PATENT DOCUMENTS

2,242,386	A *	5/1941	Block et al. ....	38/102.1
2,406,638	A *	8/1946	Schissel .....	211/200
2,919,818	A *	1/1960	Clegg et al. ....	211/195
D224,042	S *	6/1972	Van Voorhis .....	D32/58
D267,768	S *	2/1983	Duggan .....	D7/368
D322,698	S *	12/1991	Cassel .....	D32/58
D417,536	S *	12/1999	Sum .....	D32/58
D423,161	S *	4/2000	Mersseman .....	D32/58
D546,013	S *	7/2007	Pong .....	D32/58
D564,165	S *	3/2008	King et al. ....	D32/58
D595,914	S *	7/2009	Housley .....	D32/55

\* cited by examiner

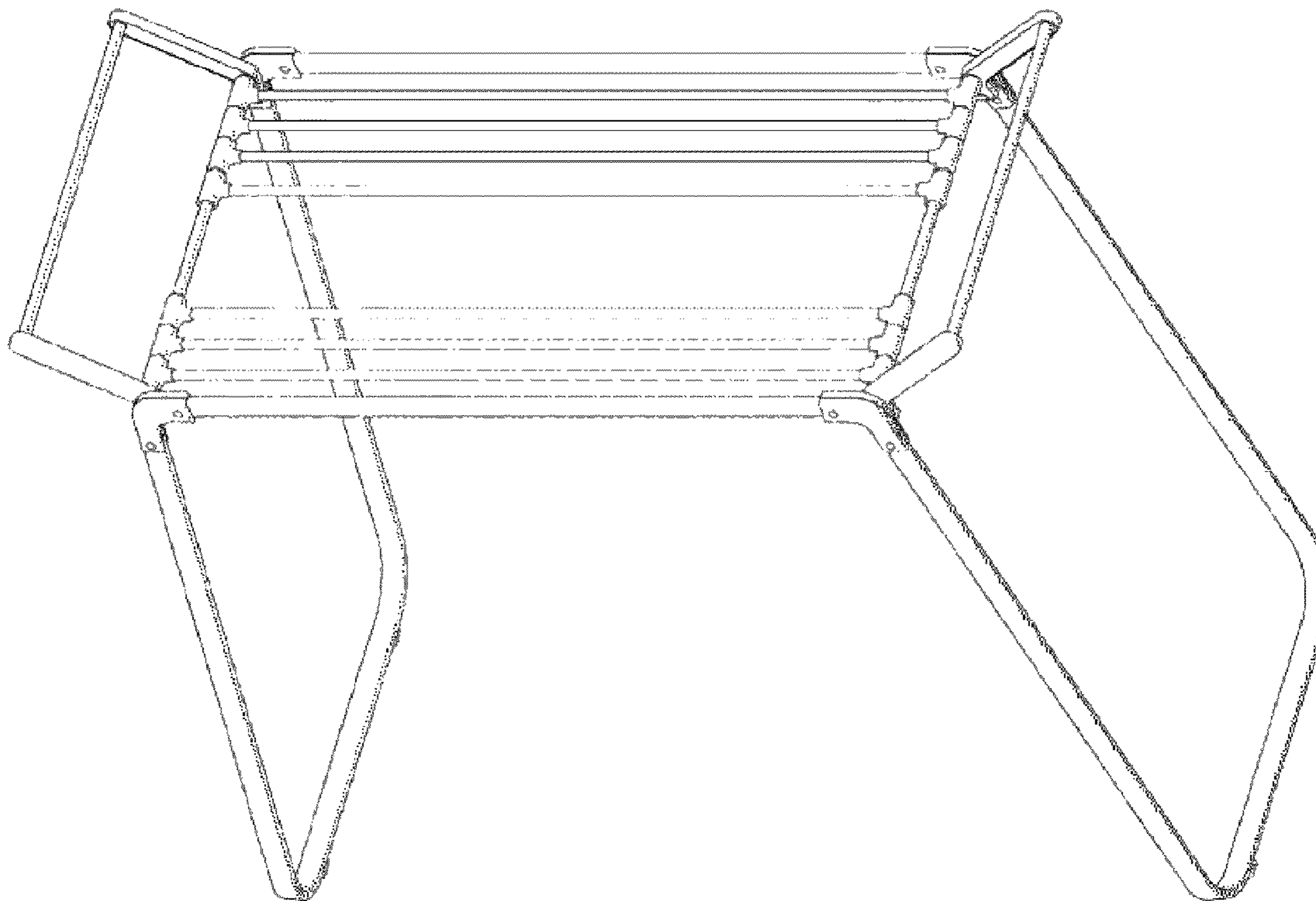
*Primary Examiner* — Austin Murphy

(57) **CLAIM**  
The ornamental design for a clothes drying rack, as shown,  
and described.

**DESCRIPTION**

FIG. 1 is a front view of the clothes drying rack;  
FIG. 2 is a side view of the clothes drying rack;  
FIG. 3 is a top view of the clothes drying rack;  
FIG. 4 is a bottom view of the clothes drying rack; and,  
FIG. 5 is a perspective view of the clothes drying rack.

**1 Claim, 5 Drawing Sheets**



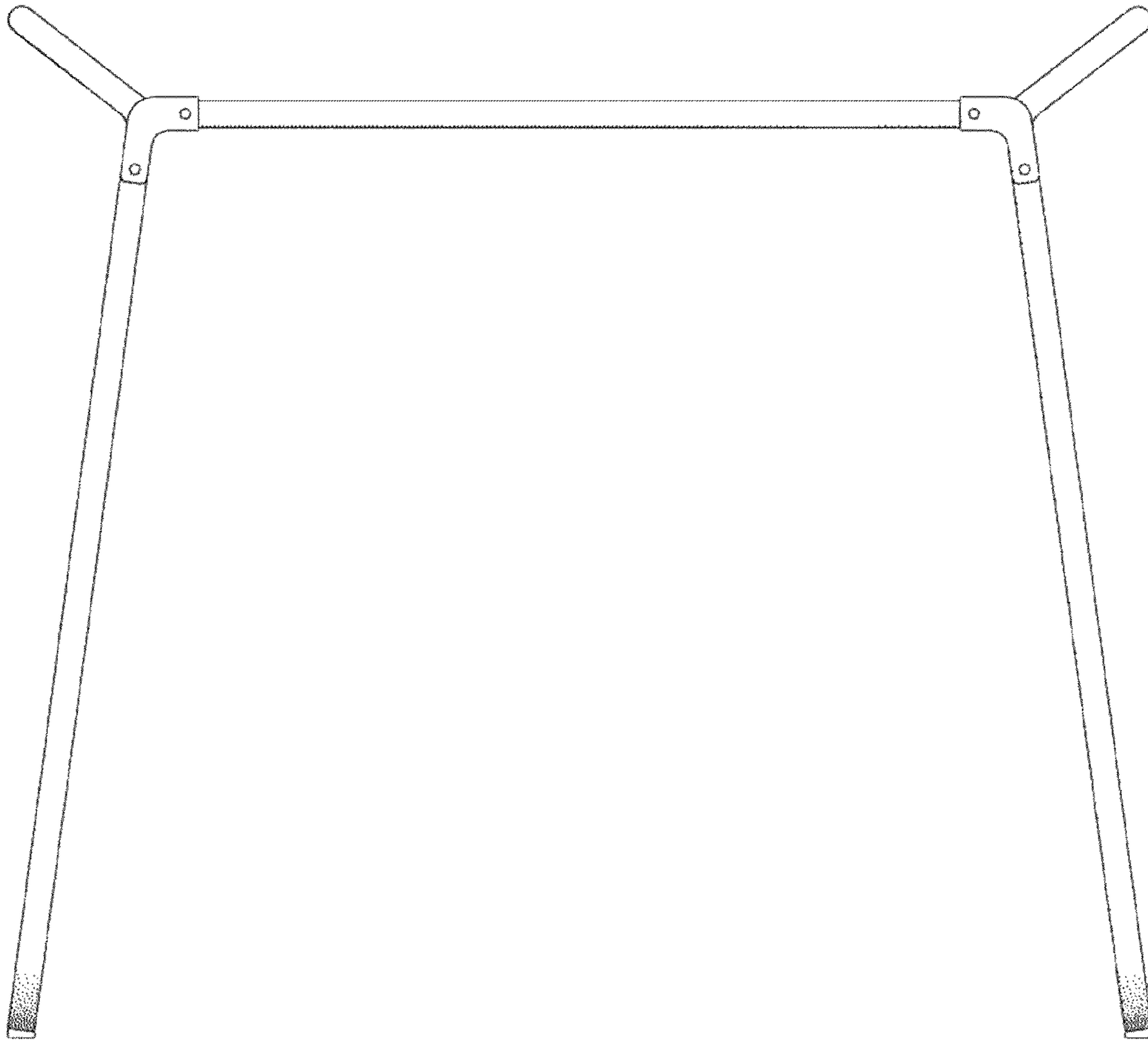


Figure 1

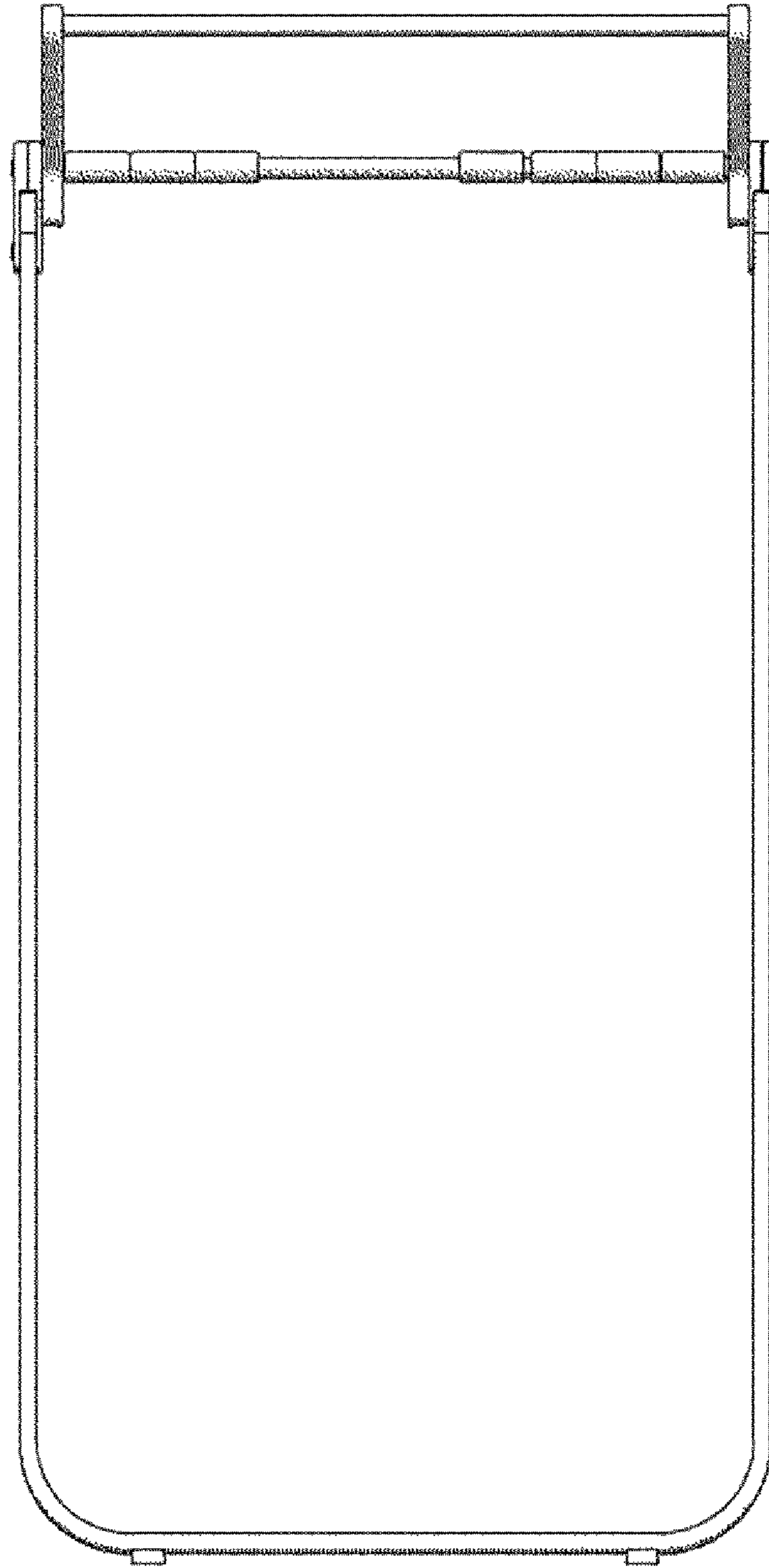


Figure 2

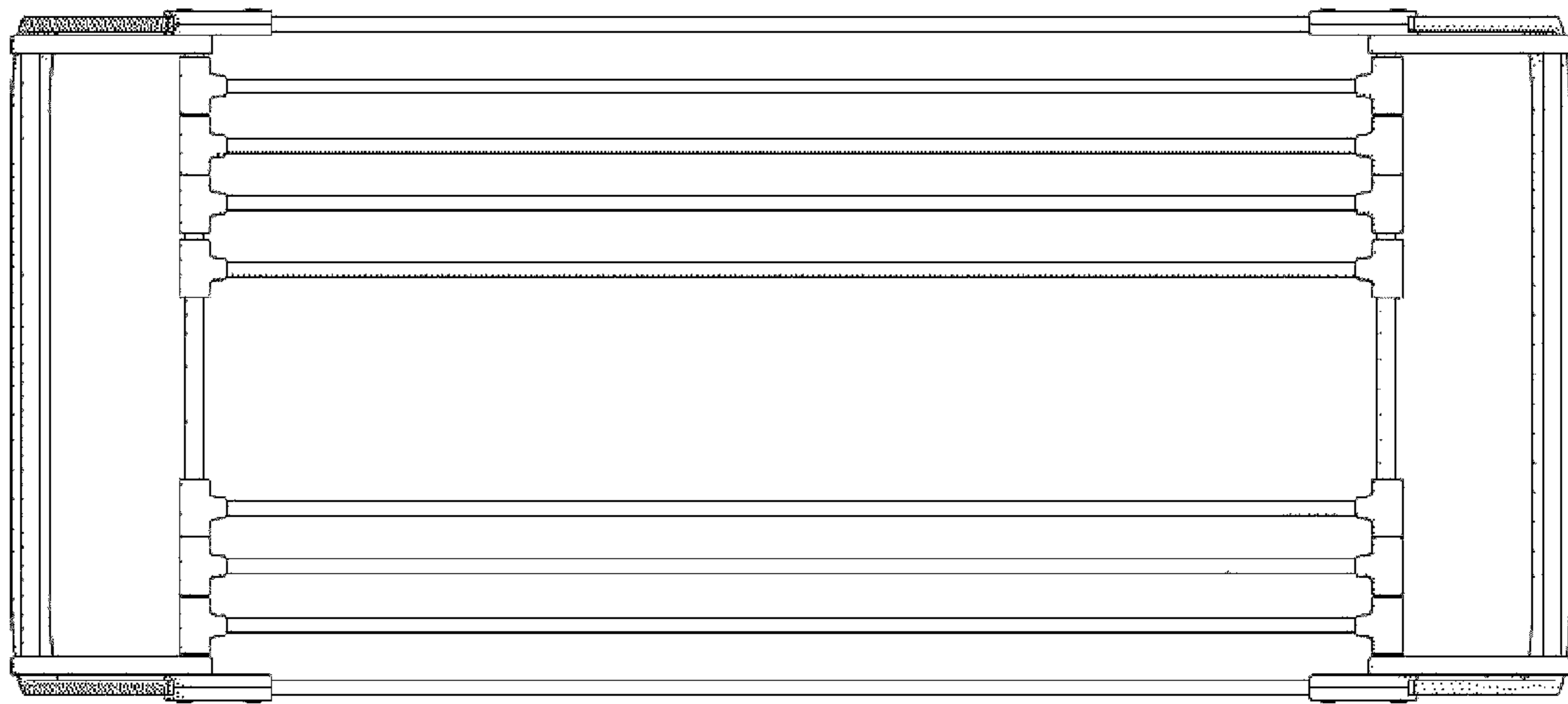


Figure 3

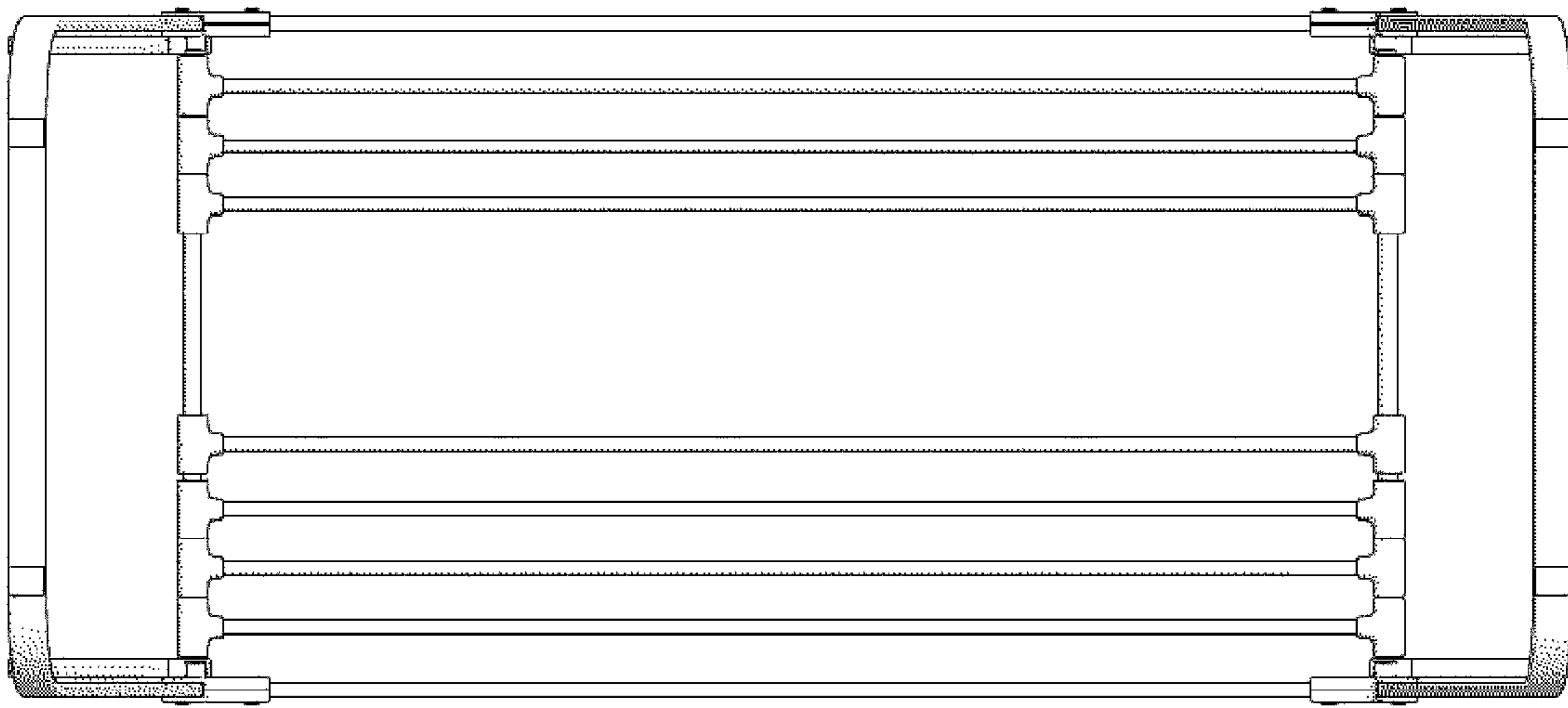


Figure 4

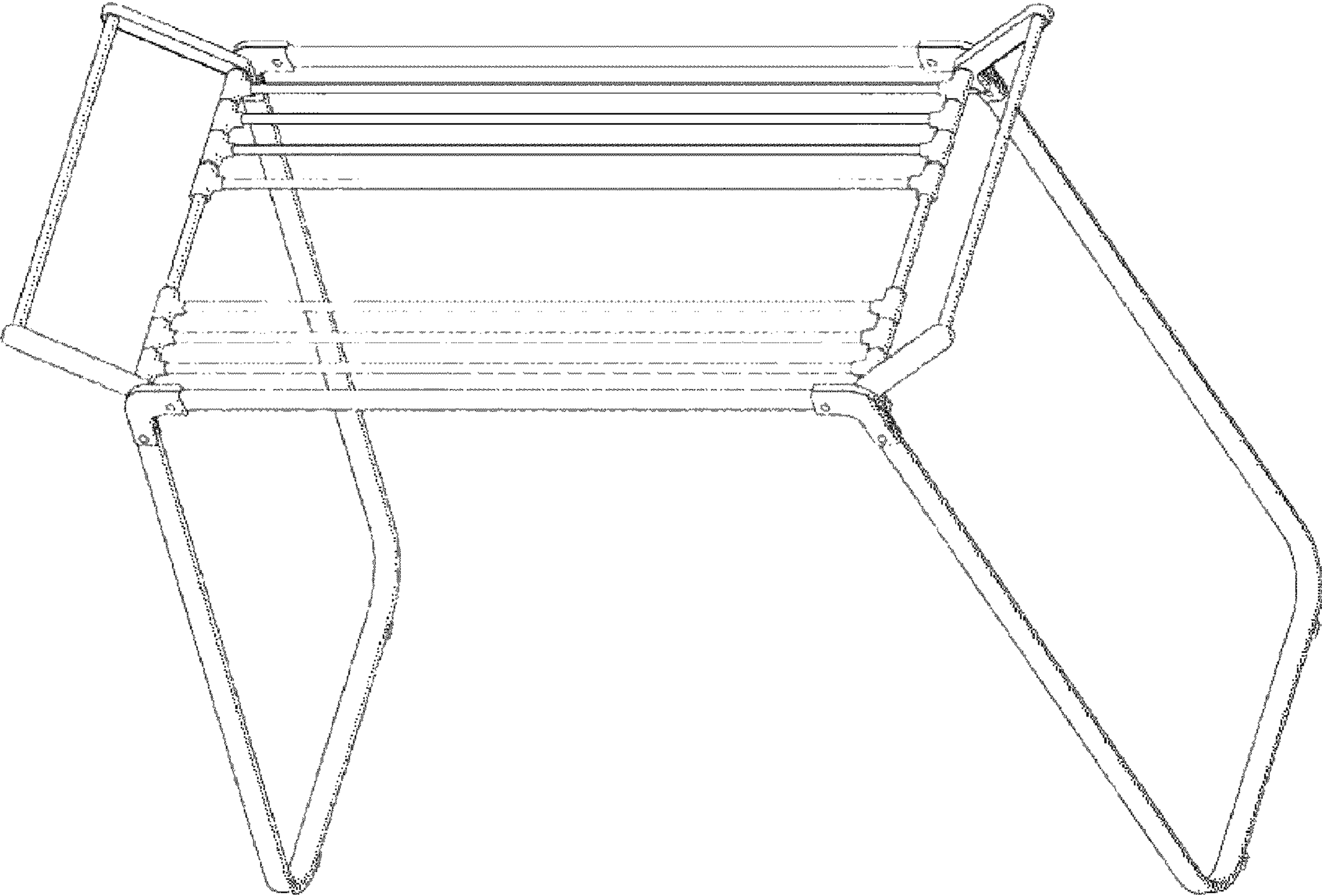


Figure 5