



US00D650531S

(12) **United States Design Patent**
Young et al.

(10) **Patent No.:** **US D650,531 S**

(45) **Date of Patent:** **** Dec. 13, 2011**

- (54) **HAND HOLDER FOR A TABLET**
 - (75) Inventors: **Dean David Young**, Denver, CO (US);
Scott Michael Murray, Denver, CO (US)
 - (73) Assignee: **IK Holders, LLC**, Denver, CO (US)
 - (**) Term: **14 Years**
 - (21) Appl. No.: **29/391,230**
 - (22) Filed: **May 5, 2011**
 - (51) **LOC (9) Cl.** **29-02**
 - (52) **U.S. Cl.** **D29/120.1**
 - (58) **Field of Classification Search** D29/120.1;
D7/393, 395, 401.2, 682, 692, 642-652, 664,
D7/688, 691, 693, 696, 381, 601, 602, 701,
D7/705, 708, 619.1, 622; D8/83, 101, 107,
D8/307; D22/118; 30/340-344, 147-149;
16/430, 431, 110.1; 294/29; D3/202, 327;
206/142, 143, 427, 428; 220/694, 752-755,
220/758; 402/4, 80; 281/43, 45-49, 462,
281/446, 447, 460, 464; 251/42-45; 248/451,
248/441.1, 448
- See application file for complete search history.

4,988,229	A *	1/1991	Ramsey, III	402/4
5,054,816	A *	10/1991	Rosengarten	281/42
5,586,707	A *	12/1996	Haskell	224/684
5,636,868	A *	6/1997	Ross, Jr.	281/42
6,672,621	B1 *	1/2004	Moss	281/36
7,237,756	B2 *	7/2007	Isenberg	248/451

* cited by examiner

Primary Examiner — Raphael Barkai
Assistant Examiner — Randall Gholson

(74) *Attorney, Agent, or Firm* — Margaret Polson; Oppedahl Patent Law Firm LLC

(57) **CLAIM**

The ornamental design for a hand holder for a tablet, as shown and described.

DESCRIPTION

FIG. 1 is a right side elevation view of our new ornamental design for a hand holder for a tablet.
FIG. 2 is a left side elevation view of FIG. 1.
FIG. 3 is a back side elevation view of FIG. 1.
FIG. 4 is a front side elevation view of FIG. 1.
FIG. 5 is a top side plan view of FIG. 1.
FIG. 6 is bottom side plan view of FIG. 1; and,
FIG. 7 is a top perspective of the hand holder for a tablet in use.

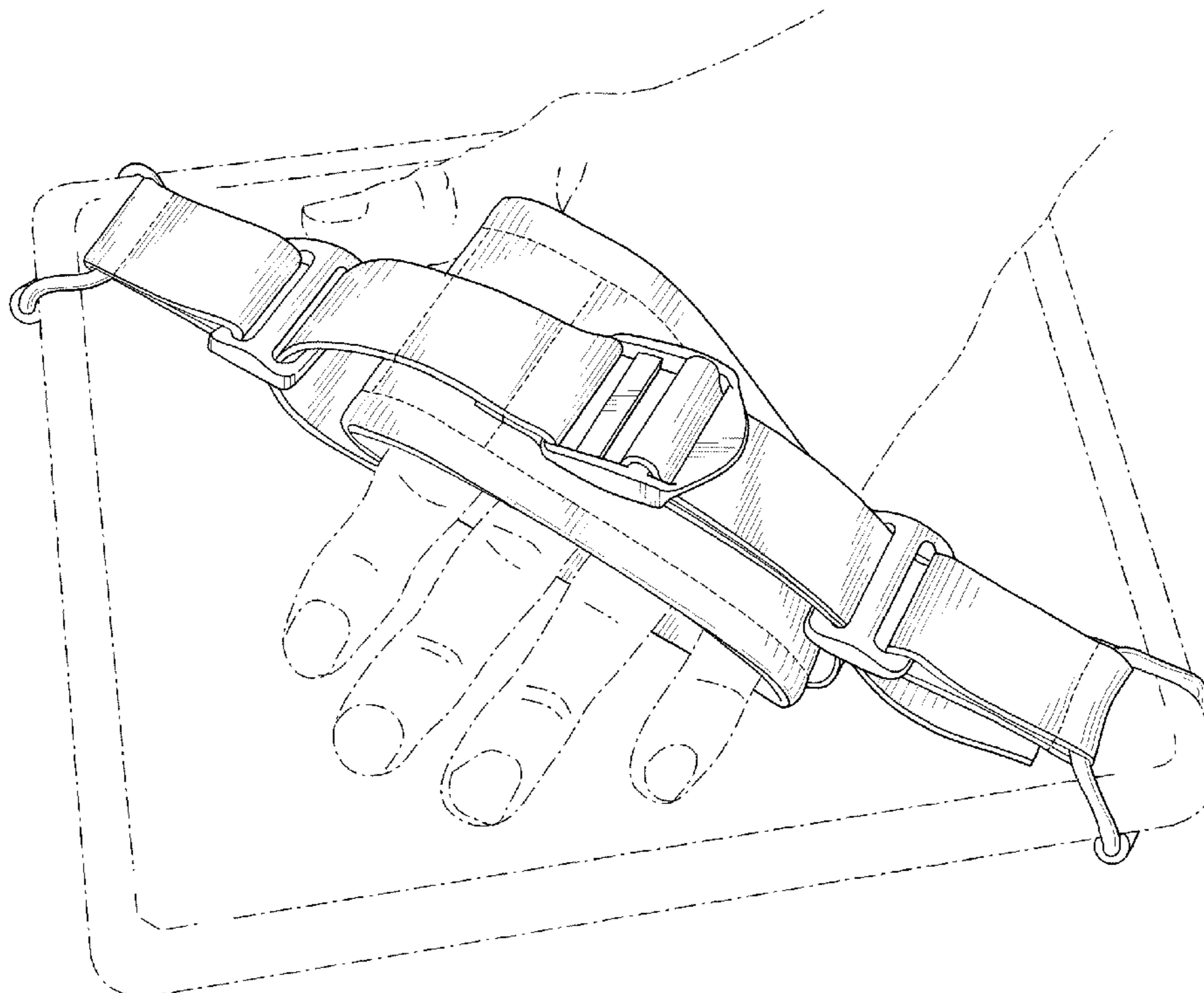
The dashed lines illustrate stitching and are part of the claimed design. The dot and dashed lines of the tablet and a user's hand is for the purpose of illustrating environmental matter and forms no part of the claimed design

1 Claim, 3 Drawing Sheets

(56) **References Cited**

U.S. PATENT DOCUMENTS

3,543,977	A *	12/1970	Lockridge	224/222
4,133,080	A *	1/1979	Kuk	24/301
4,162,800	A *	7/1979	Gonot et al.	281/42
4,903,932	A *	2/1990	Stewart, Jr.	248/444



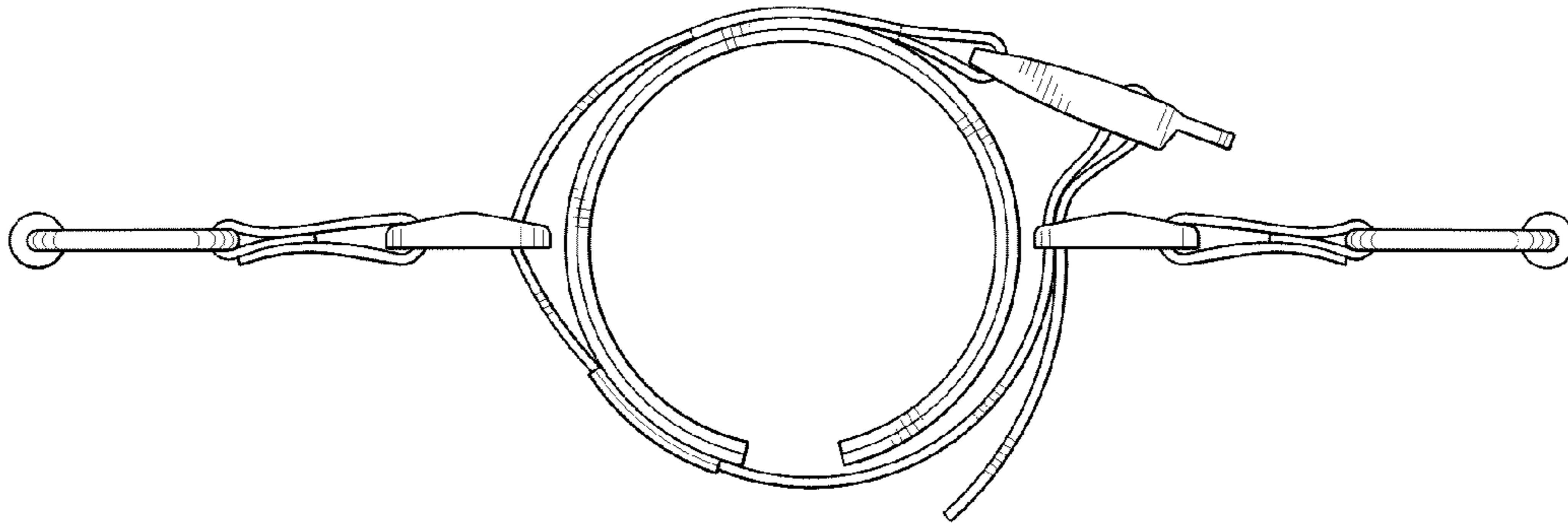


FIG. 1

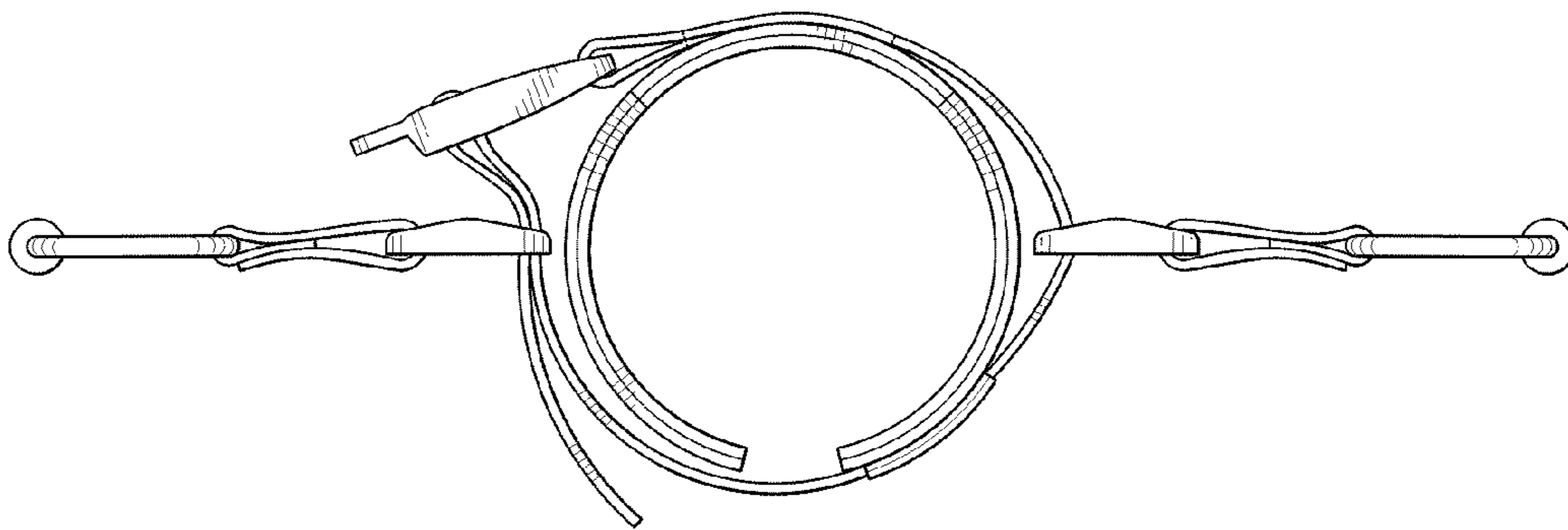


FIG. 2

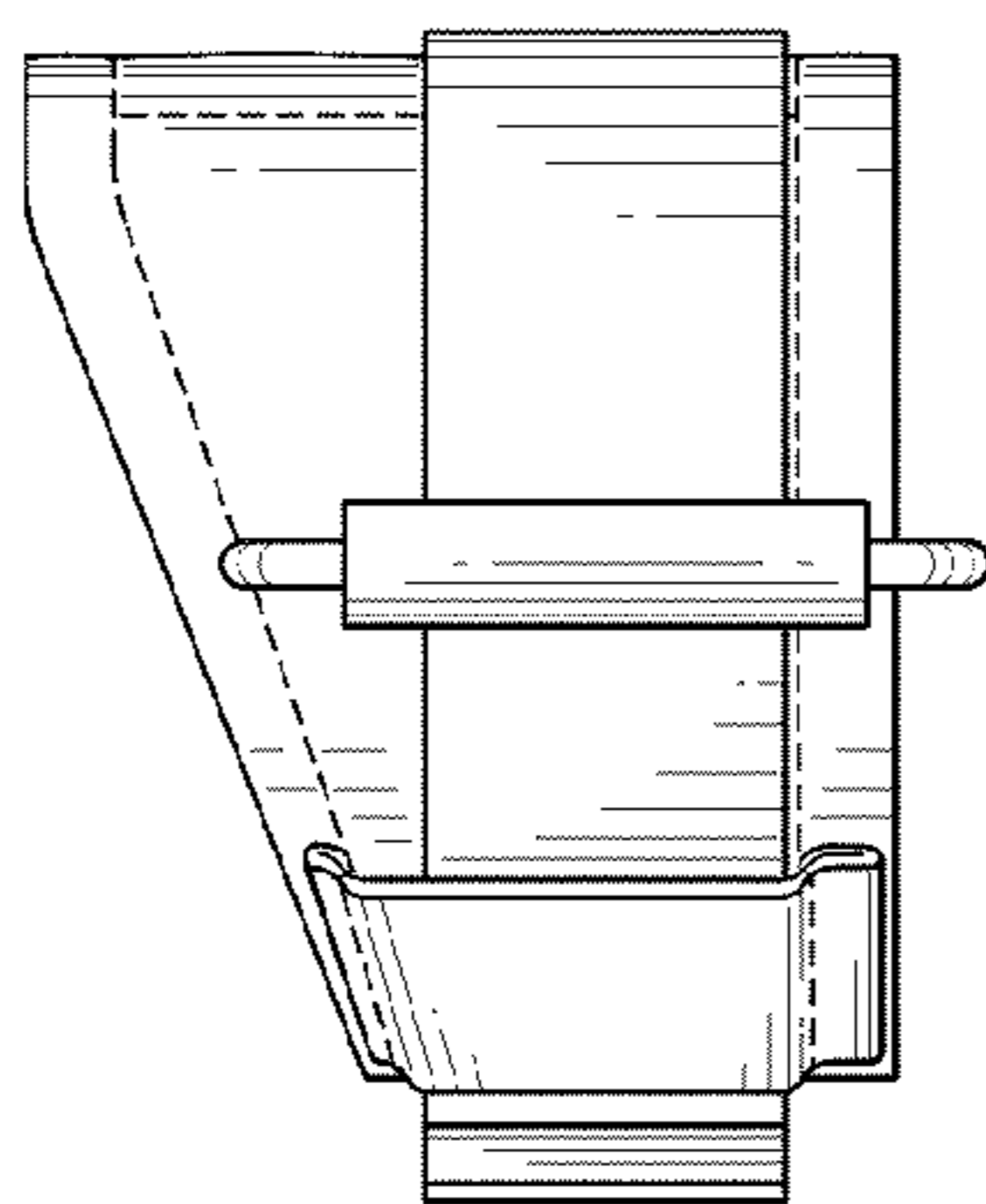


FIG. 3

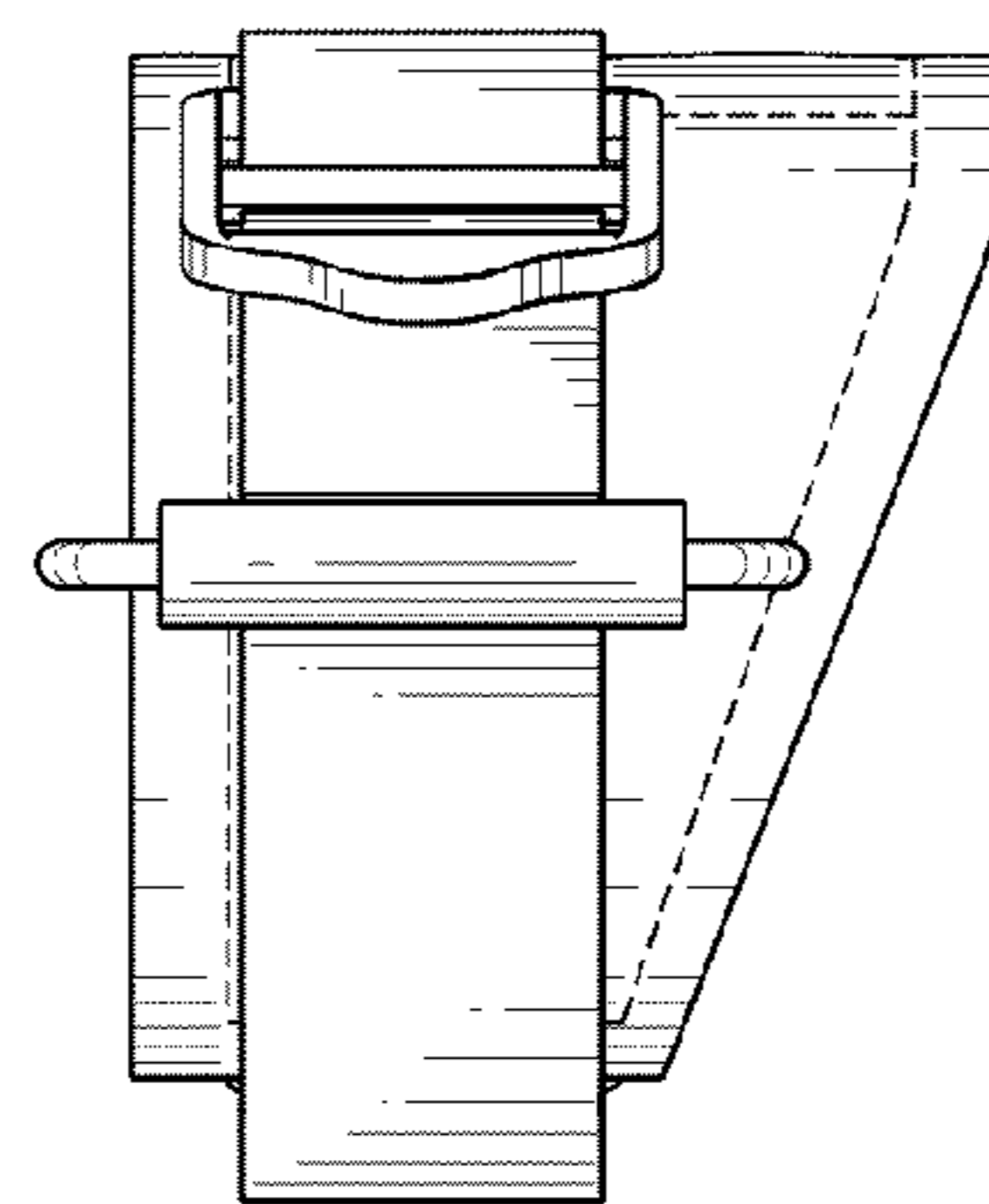


FIG. 4

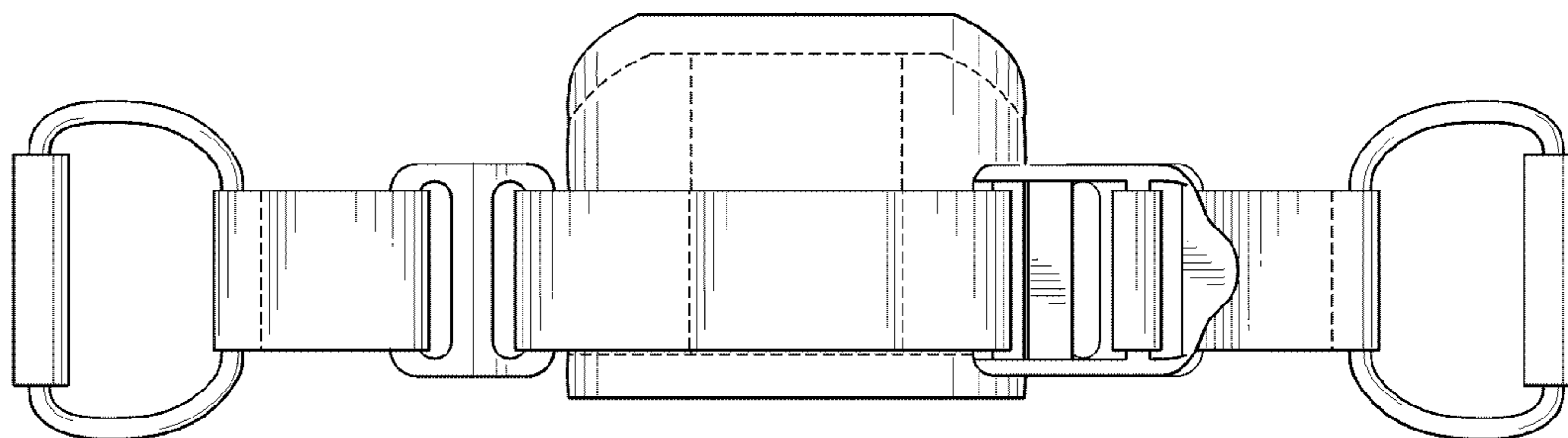


FIG.5

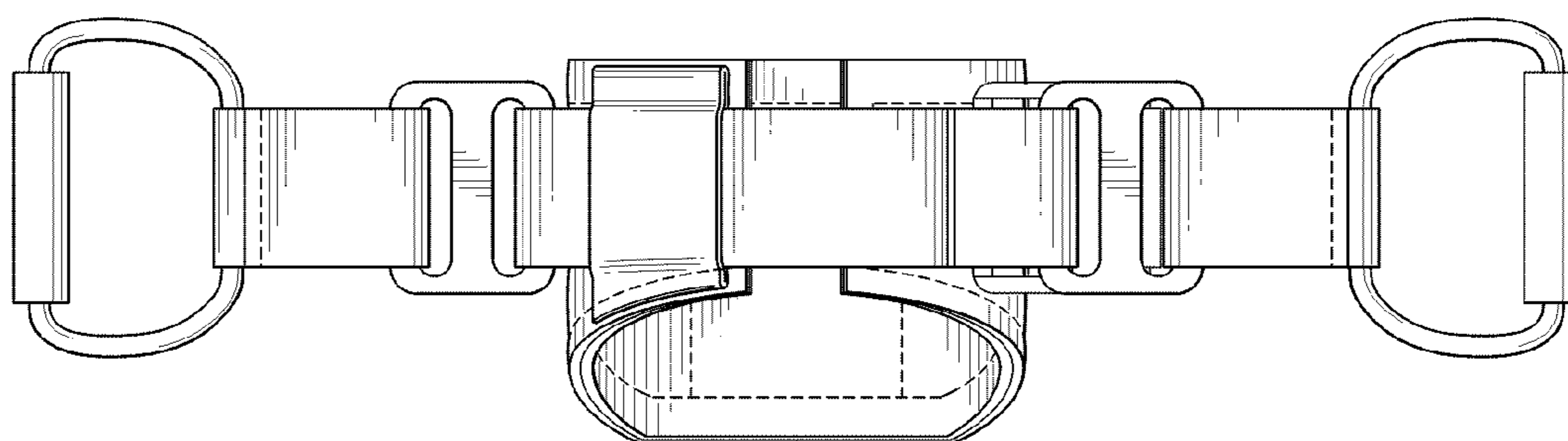


FIG.6

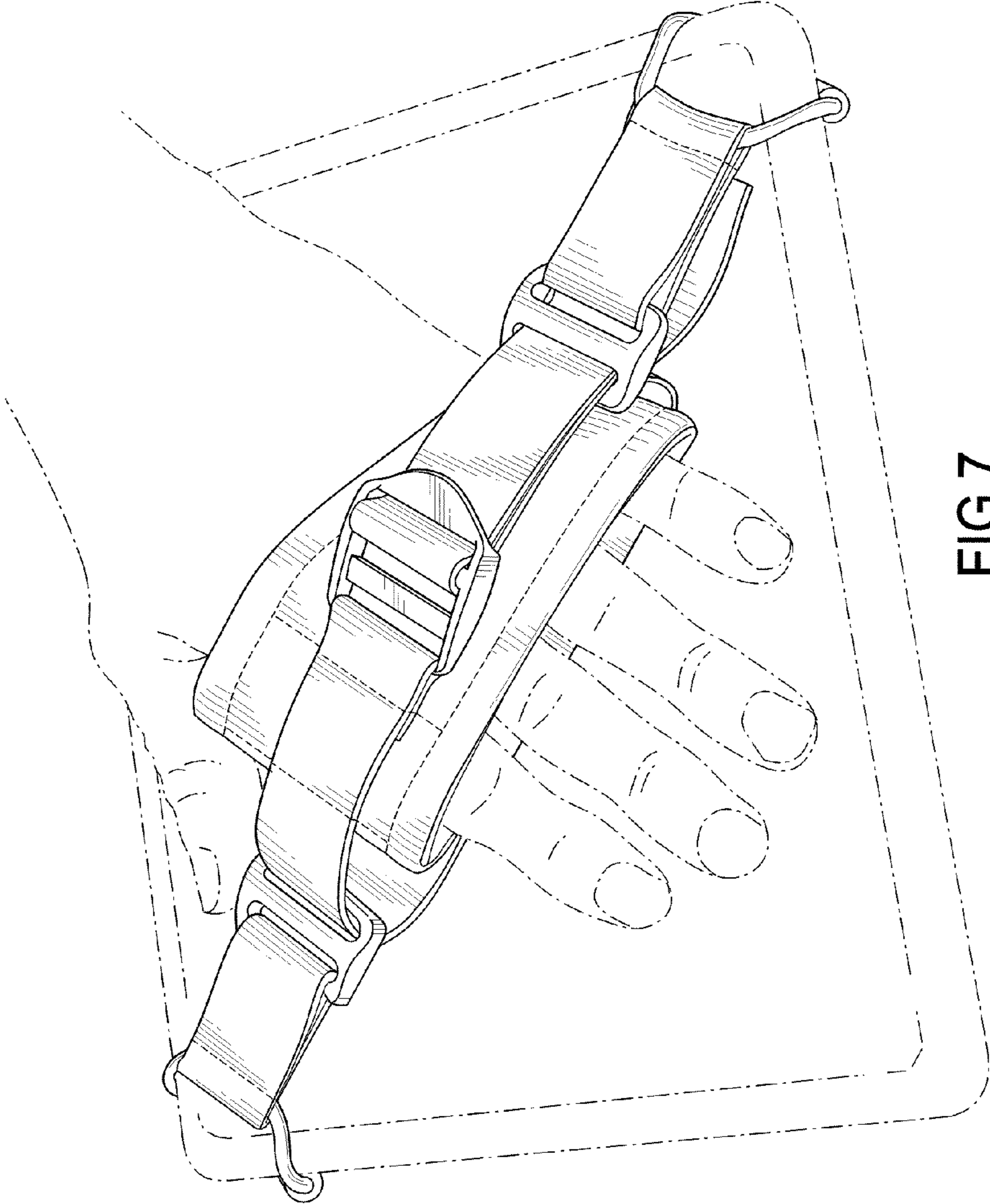


FIG. 7