



US00D650527S

(12) **United States Design Patent**
Andersen et al.

(10) **Patent No.:** **US D650,527 S**

(45) **Date of Patent:** **** Dec. 13, 2011**

(54) **SAFETY RAZOR**

(75) Inventors: **Michael L Andersen**, Montclair, NJ (US); **Christopher M Barrow**, Queens Village, NY (US); **David C Stowers**, Morristown, NJ (US); **Jeffrey W Wonderley**, Fort Defiance, VA (US)

(73) Assignee: **Eveready Battery Company, Inc.**, St. Louis, MO (US)

(**) Term: **14 Years**

(21) Appl. No.: **29/390,092**

(22) Filed: **Apr. 20, 2011**

(51) **LOC (9) Cl.** **28-03**

(52) **U.S. Cl.** **D28/46**

(58) **Field of Classification Search** D28/44,
D28/44.1-48; 30/32, 34.05, 34.1, 34.2, 43,
30/42, 44-61, 77-84, 526-538

See application file for complete search history.

(56) **References Cited**

U.S. PATENT DOCUMENTS

D598,606 S 8/2009 Watson
D602,635 S 10/2009 Watson

D605,362 S * 12/2009 Andersen D28/48
D615,704 S 5/2010 Wonderley et al.
D625,882 S 10/2010 Wonderley et al.
D633,252 S * 2/2011 Wonderley D28/46
D636,531 S * 4/2011 Wilson D28/46
D640,414 S * 6/2011 Wonderley et al. D28/46

* cited by examiner

Primary Examiner — Jennifer Rivard

(74) *Attorney, Agent, or Firm* — Energizer Personal Care, LLC

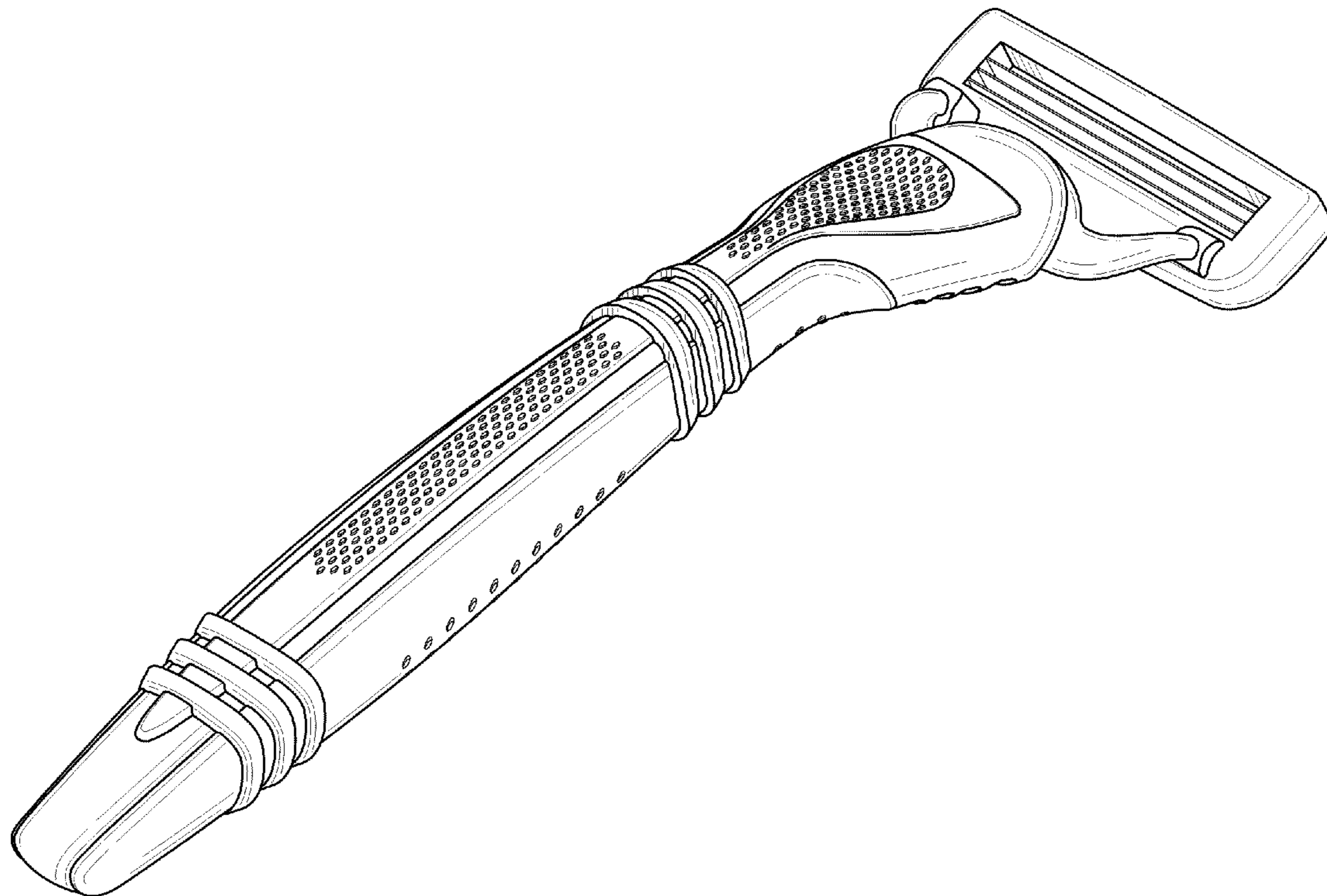
(57) **CLAIM**

We claim the ornamental design for the safety razor, as shown and described.

DESCRIPTION

FIG. 1 is an upper perspective view of the safety razor.
FIG. 2 is a lower perspective view thereof
FIG. 3 is a rear view thereof.
FIG. 4 is a front view thereof.
FIG. 5 is a left side view of FIG. 3.
FIG. 6 is a right side view of FIG. 3.
FIG. 7 is a top view thereof; and,
FIG. 8 is a bottom view thereof.

1 Claim, 6 Drawing Sheets



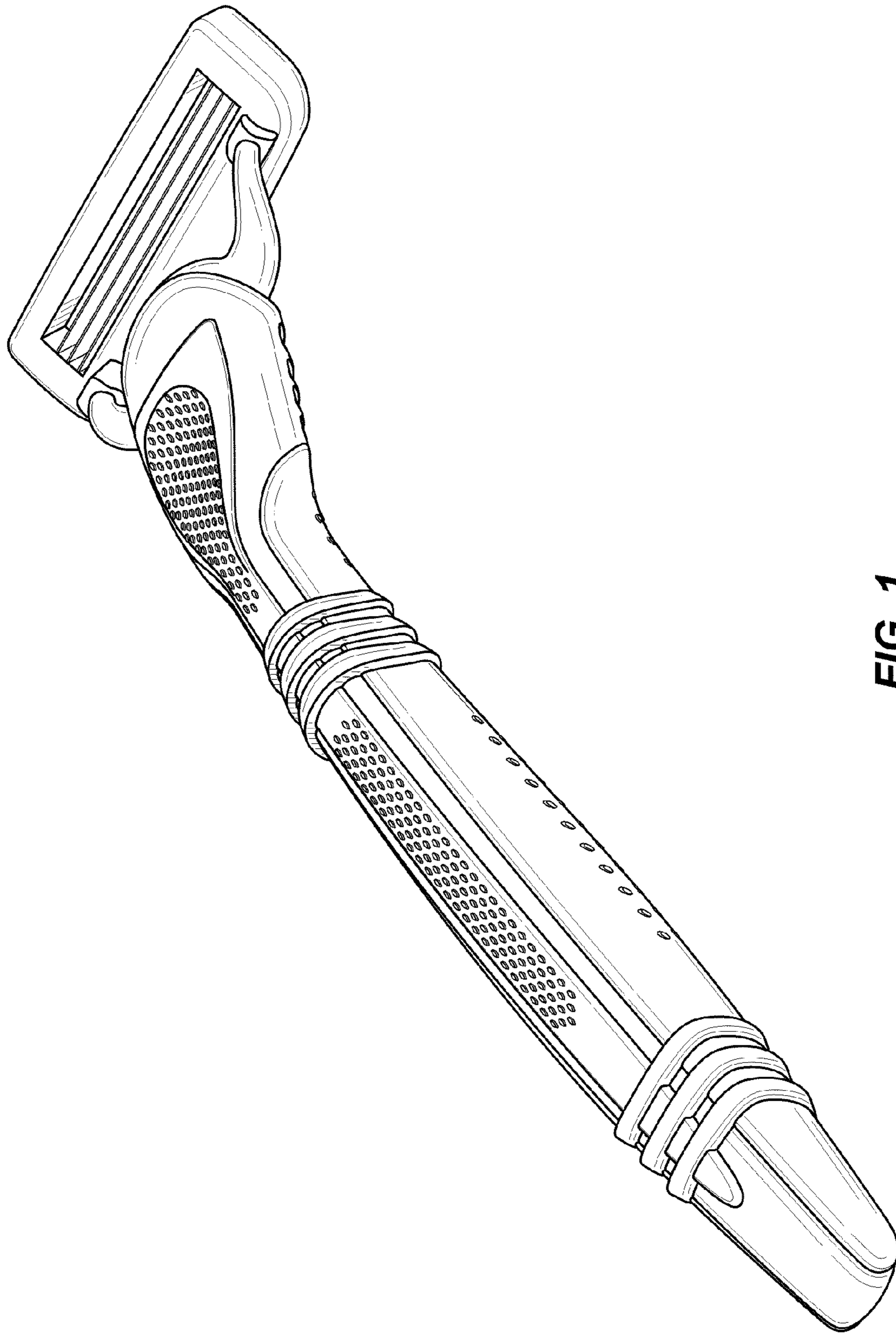


FIG. 1

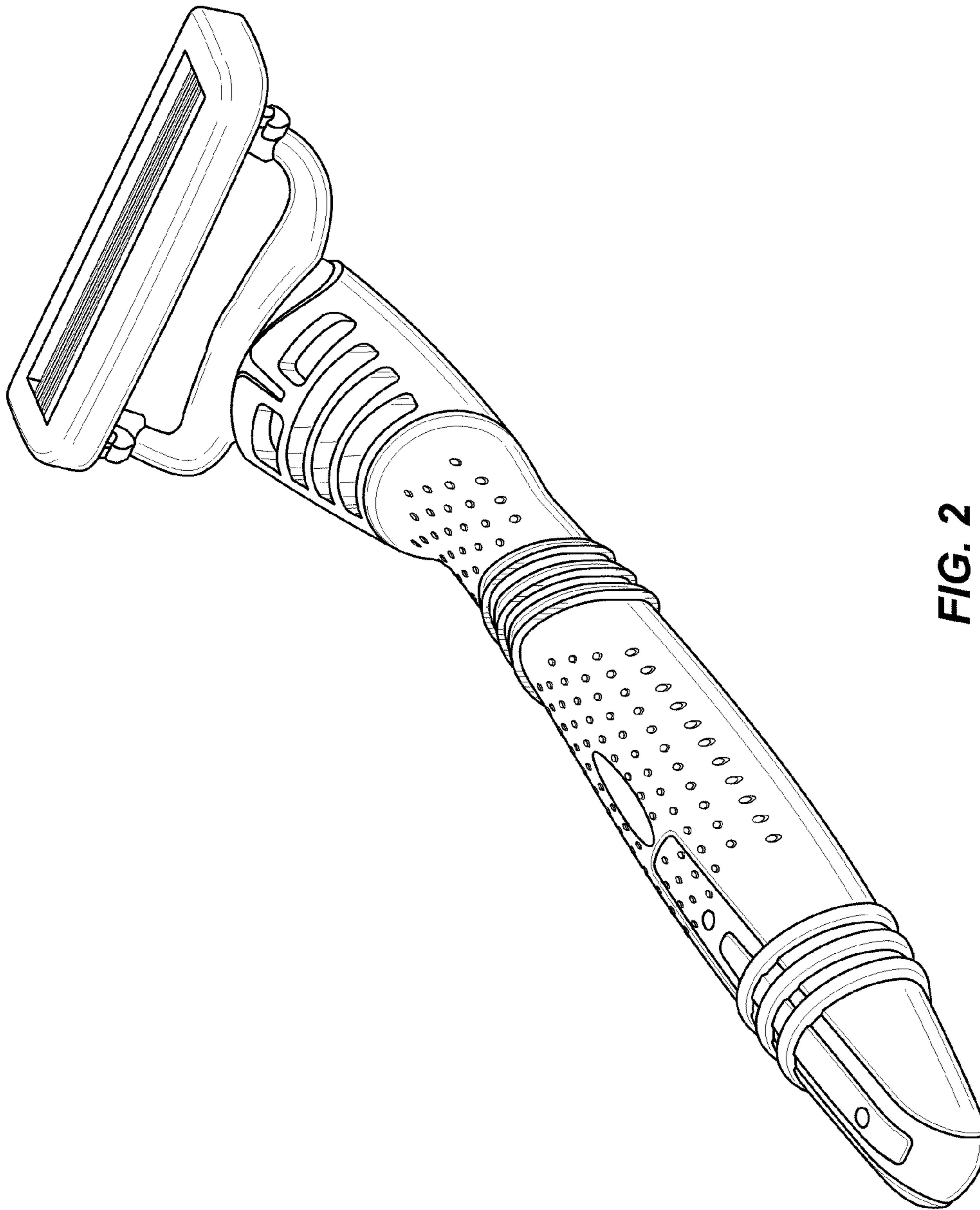


FIG. 2

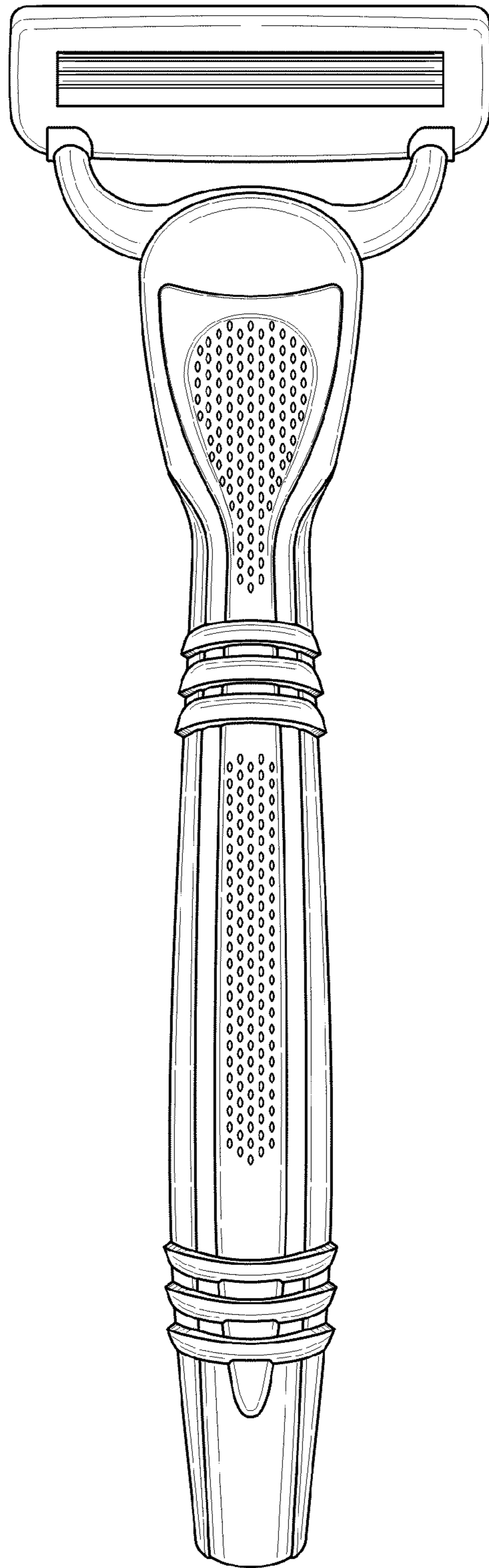


FIG. 3

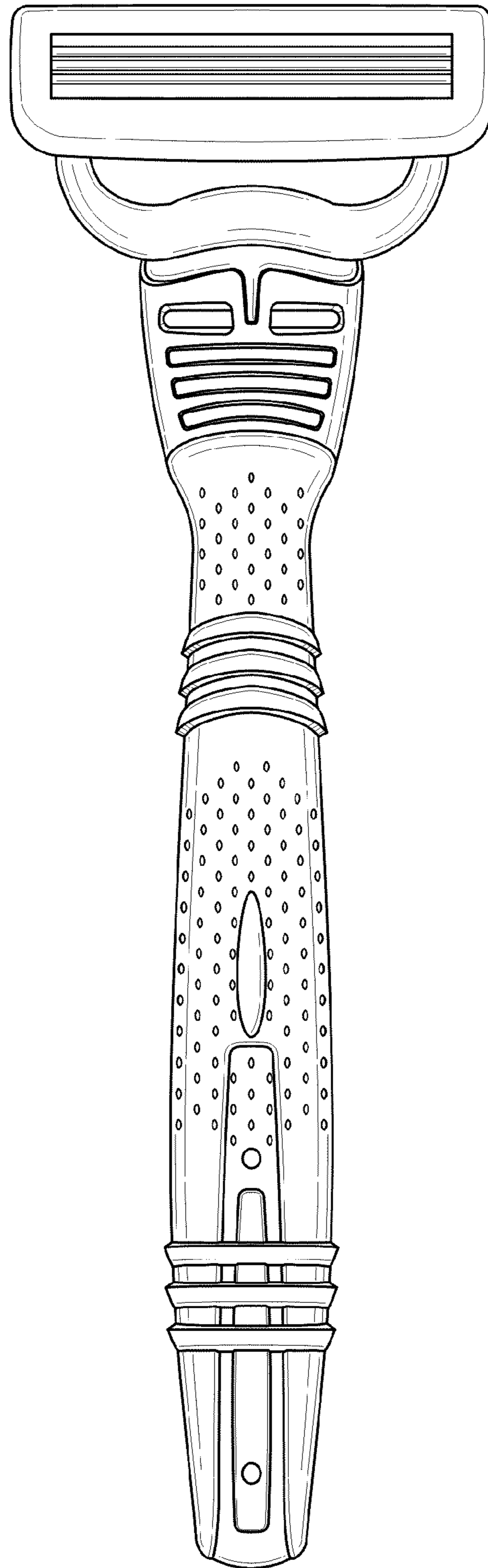


FIG. 4

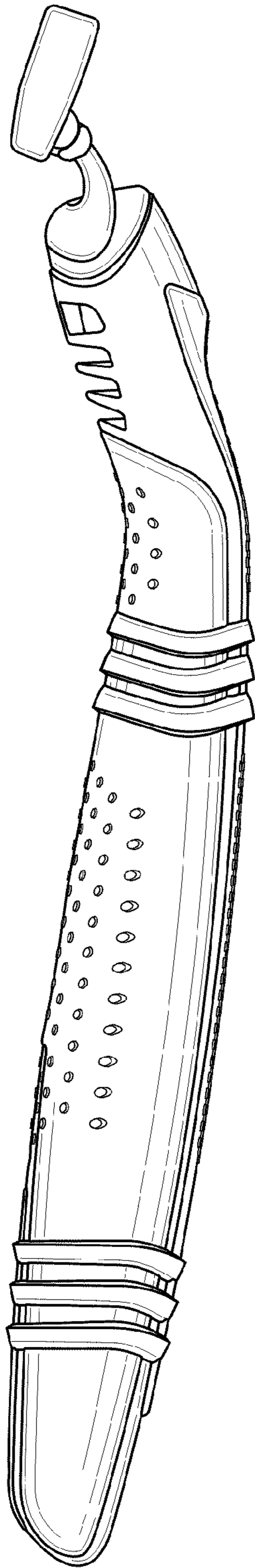


FIG. 5

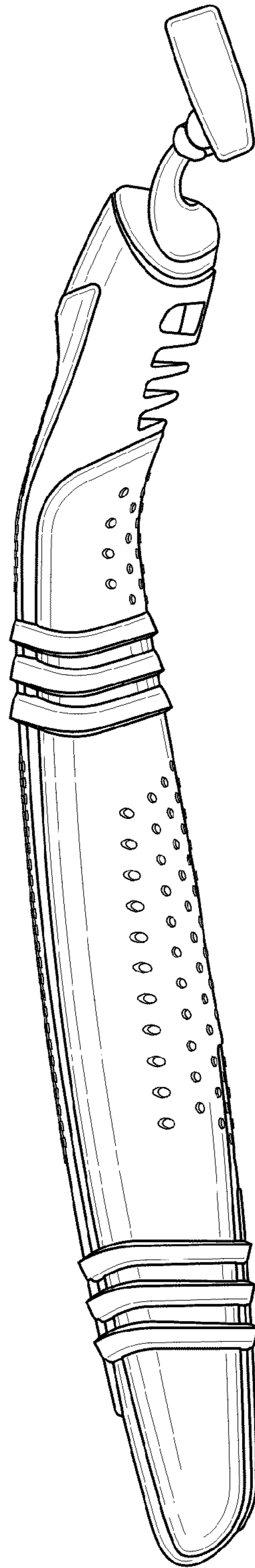


FIG. 6

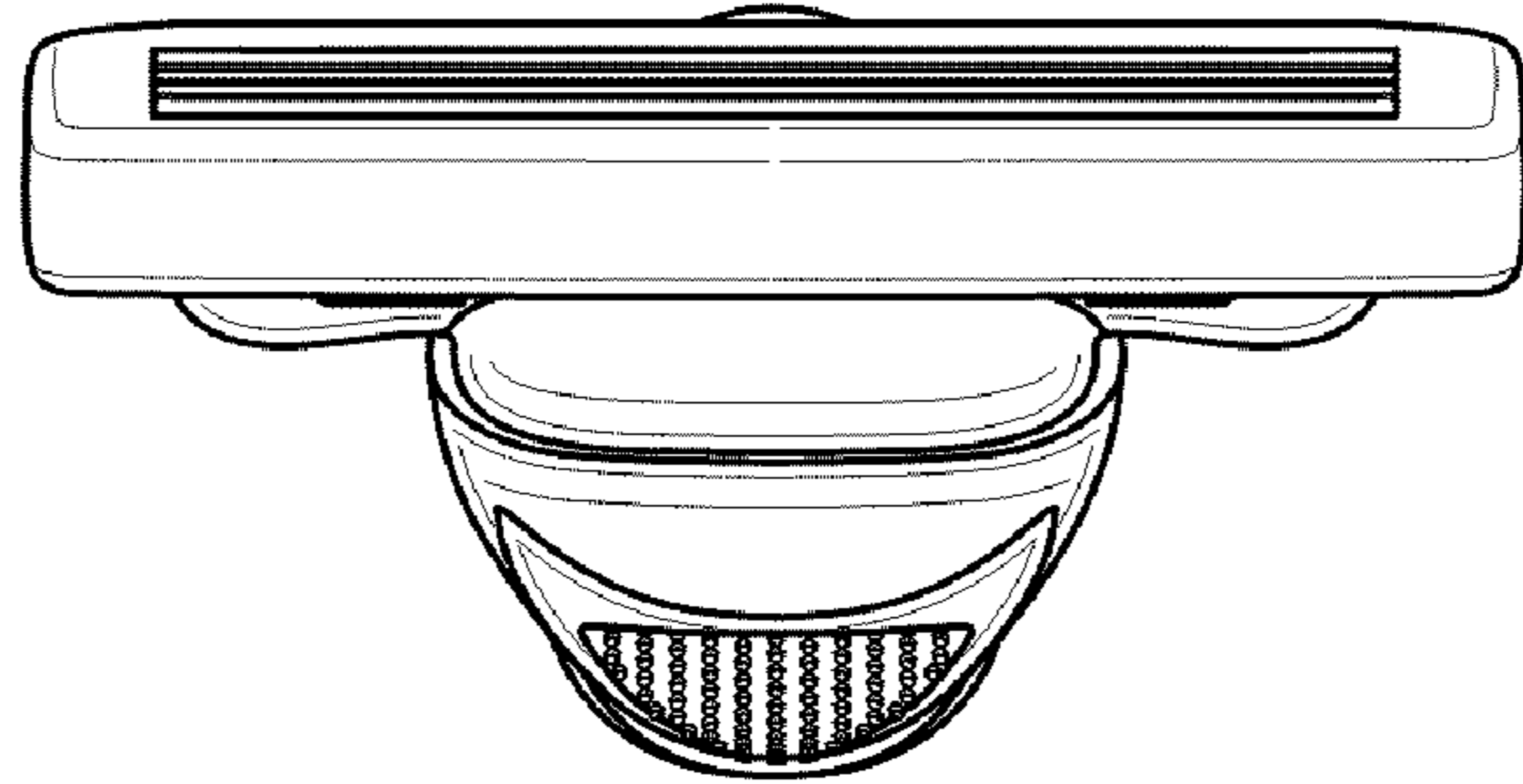


FIG. 7

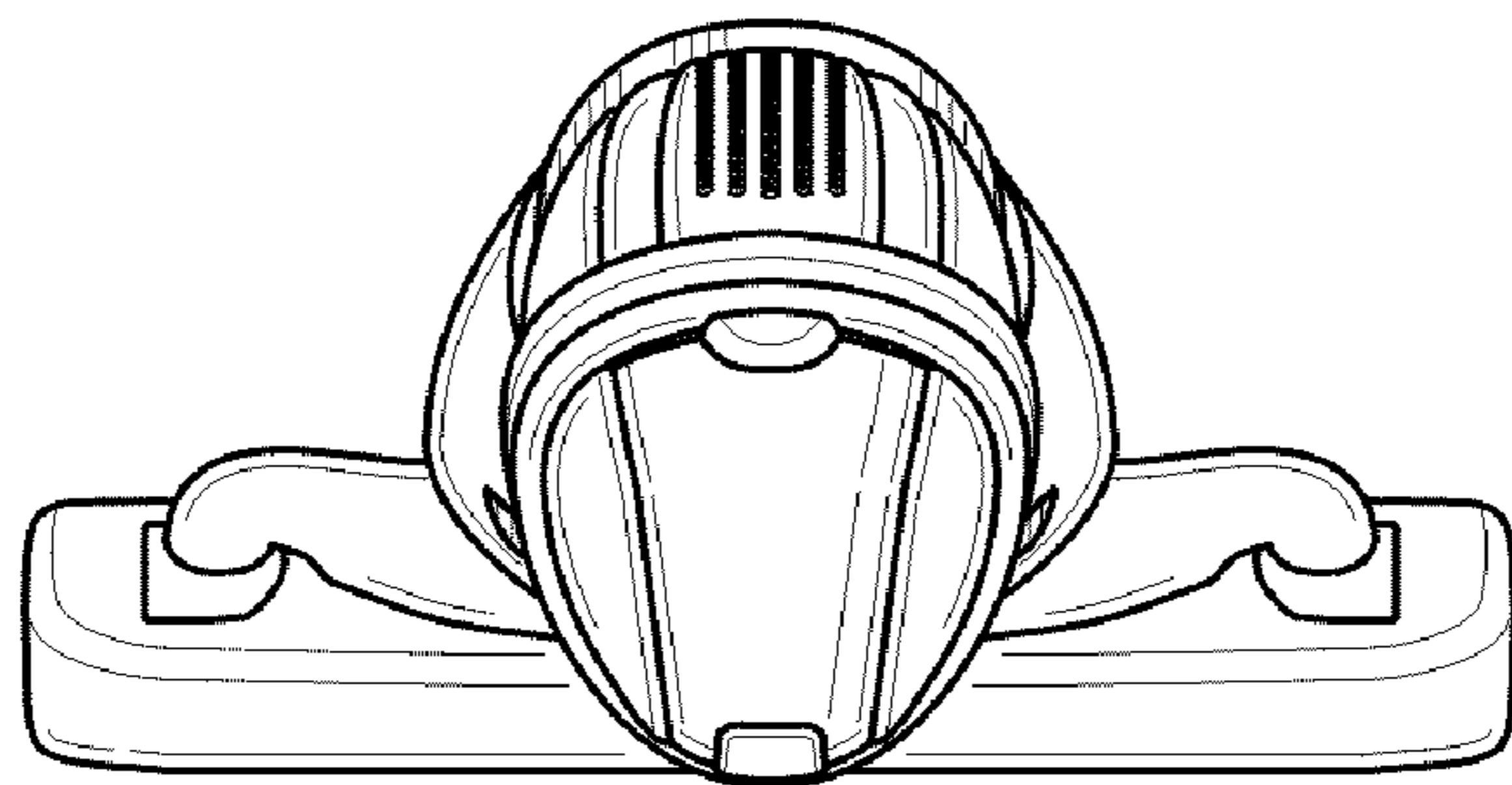


FIG. 8