

US00D650518S

(12) **United States Design Patent**  
**Fletcher et al.**

(10) **Patent No.:** **US D650,518 S**

(45) **Date of Patent:** **\*\* Dec. 13, 2011**

(54) **LED REPLACEMENT MODULE**

(75) Inventors: **Robert Kenneth Yasuji Fletcher**,  
Racine, WI (US); **Jeffrey L. Spenner**,  
Milwaukee, WI (US)

(73) Assignee: **Phoenix Products Company, Inc.**,  
Milwaukee, WI (US)

(\*\*) Term: **14 Years**

(21) Appl. No.: **29/384,292**

(22) Filed: **Jan. 28, 2011**

(51) **LOC (9) Cl.** ..... **26-99**

(52) **U.S. Cl.** ..... **D26/138**

(58) **Field of Classification Search** ..... D26/118,  
D26/120, 138, 76, 78, 86, 2, 72, 67, 89, 60,  
D26/74, 81, 85, 113, 119, 122, 128, 129,  
D26/140, 142, 145, 152, 132, 93, 94, 3, 154,  
D26/87, 42, 37; D34/29; 315/194, 51; 362/612,  
362/307, 294, 545, 555, 146, 145, 396, 362,  
362/260; 165/185, 121, 80.3; D12/162;  
D8/354, 355, 356, 363, 373, 349, 376; 16/340;  
D13/179, 180, 134; D25/163, 157, 158

See application file for complete search history.

(56) **References Cited**

**U.S. PATENT DOCUMENTS**

|           |     |         |            |       |         |
|-----------|-----|---------|------------|-------|---------|
| 613,647   | A * | 11/1898 | Brown      | ..... | 439/551 |
| 3,331,013 | A * | 7/1967  | Cunningham | ..... | 323/239 |
| D275,948  | S * | 10/1984 | Vakil      | ..... | D13/135 |
| D304,030  | S * | 10/1989 | Vakil      | ..... | D13/135 |
| 5,731,663 | A * | 3/1998  | Davis      | ..... | 315/194 |
| D397,811  | S * | 9/1998  | Vakil      | ..... | D26/3   |
| D398,902  | S * | 9/1998  | Spadafore  | ..... | D13/135 |

|              |      |         |                  |       |         |
|--------------|------|---------|------------------|-------|---------|
| D415,104     | S *  | 10/1999 | Klaus et al.     | ..... | D13/134 |
| D418,813     | S *  | 1/2000  | Smith            | ..... | D13/134 |
| D425,024     | S *  | 5/2000  | Klaus et al.     | ..... | D13/134 |
| 7,303,301    | B2 * | 12/2007 | Koren et al.     | ..... | 362/101 |
| D570,034     | S *  | 5/2008  | Westerheide      | ..... | D26/118 |
| D627,727     | S *  | 11/2010 | Alexander et al. | ..... | D13/134 |
| 2009/0034283 | A1 * | 2/2009  | Albright et al.  | ..... | 362/545 |
| 2009/0237891 | A1 * | 9/2009  | Liu et al.       | ..... | 361/714 |

**OTHER PUBLICATIONS**

U.S. Appl. No. 13/016,654, filed Jan. 28, 2011.  
U.S. Appl. No. 29/384,299, filed Jan. 28, 2011.  
Notice of Allowance mailed May 20, 2011 for U.S. Appl. No.  
29/384,299.

\* cited by examiner

*Primary Examiner* — Kevin Rudzinski

(74) *Attorney, Agent, or Firm* — Whyte Hirschboeck Dudek  
SC

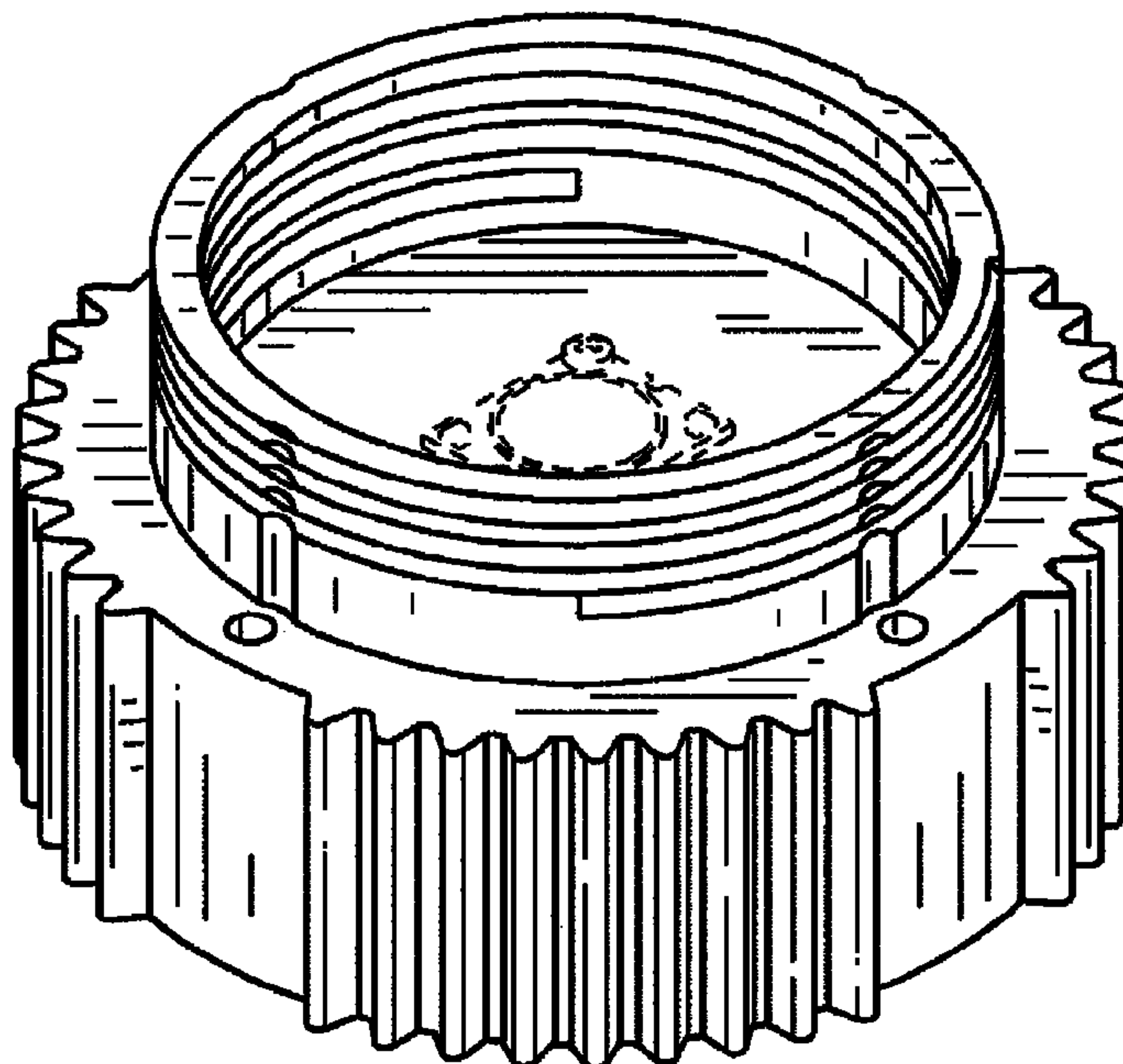
(57) **CLAIM**

The ornamental design for an LED replacement module, as  
shown and described.

**DESCRIPTION**

FIG. 1 is a perspective view of an embodiment of an LED  
replacement module;  
FIG. 2 is a side view thereof;  
FIG. 3 is a top view thereof; and,  
FIG. 4 is a bottom view thereof.  
The broken lines shown in the drawings illustrate unclaimed  
portions of the LED replacement module and form no part of  
the claimed design.

**1 Claim, 2 Drawing Sheets**



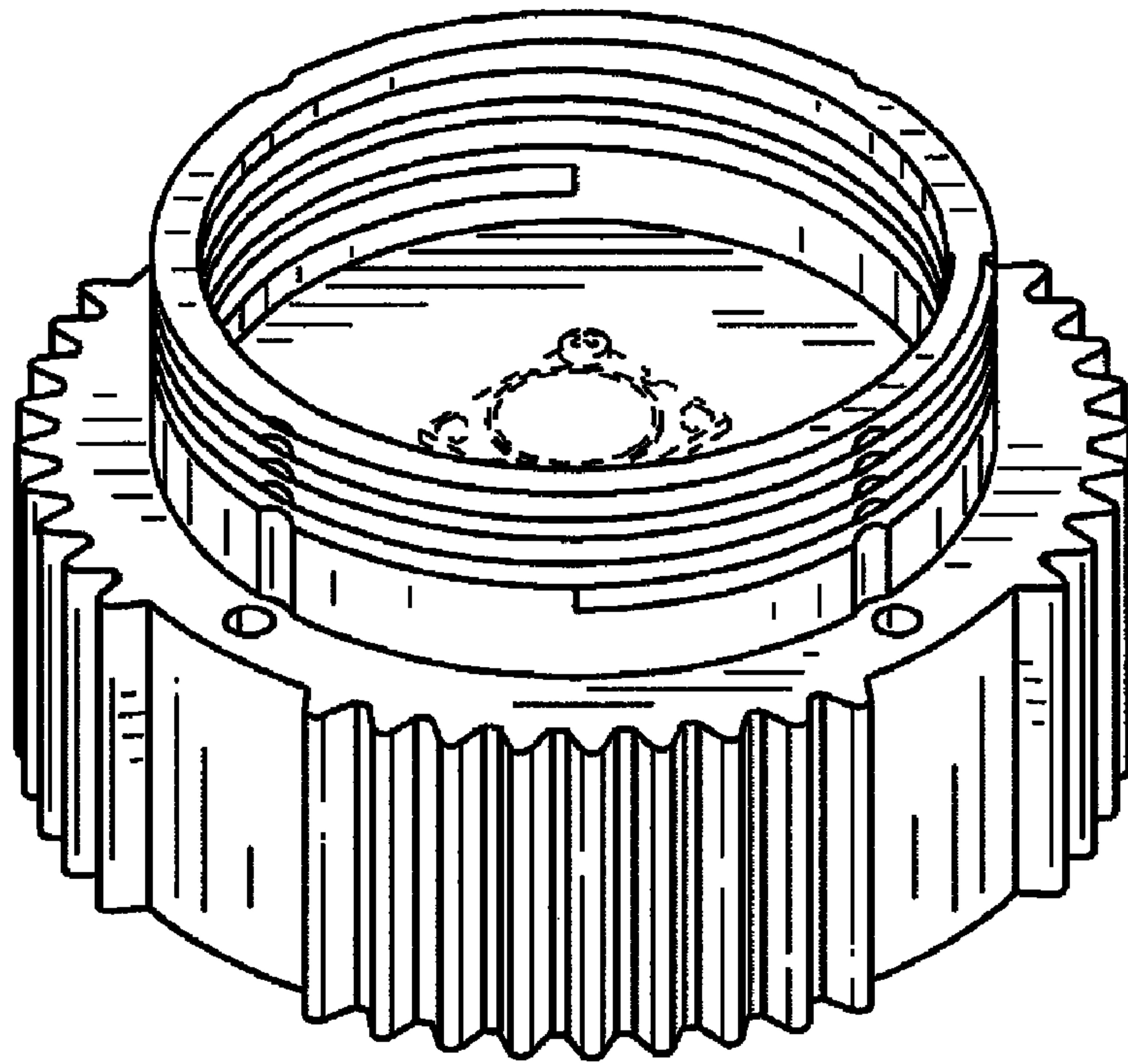


FIG. 1

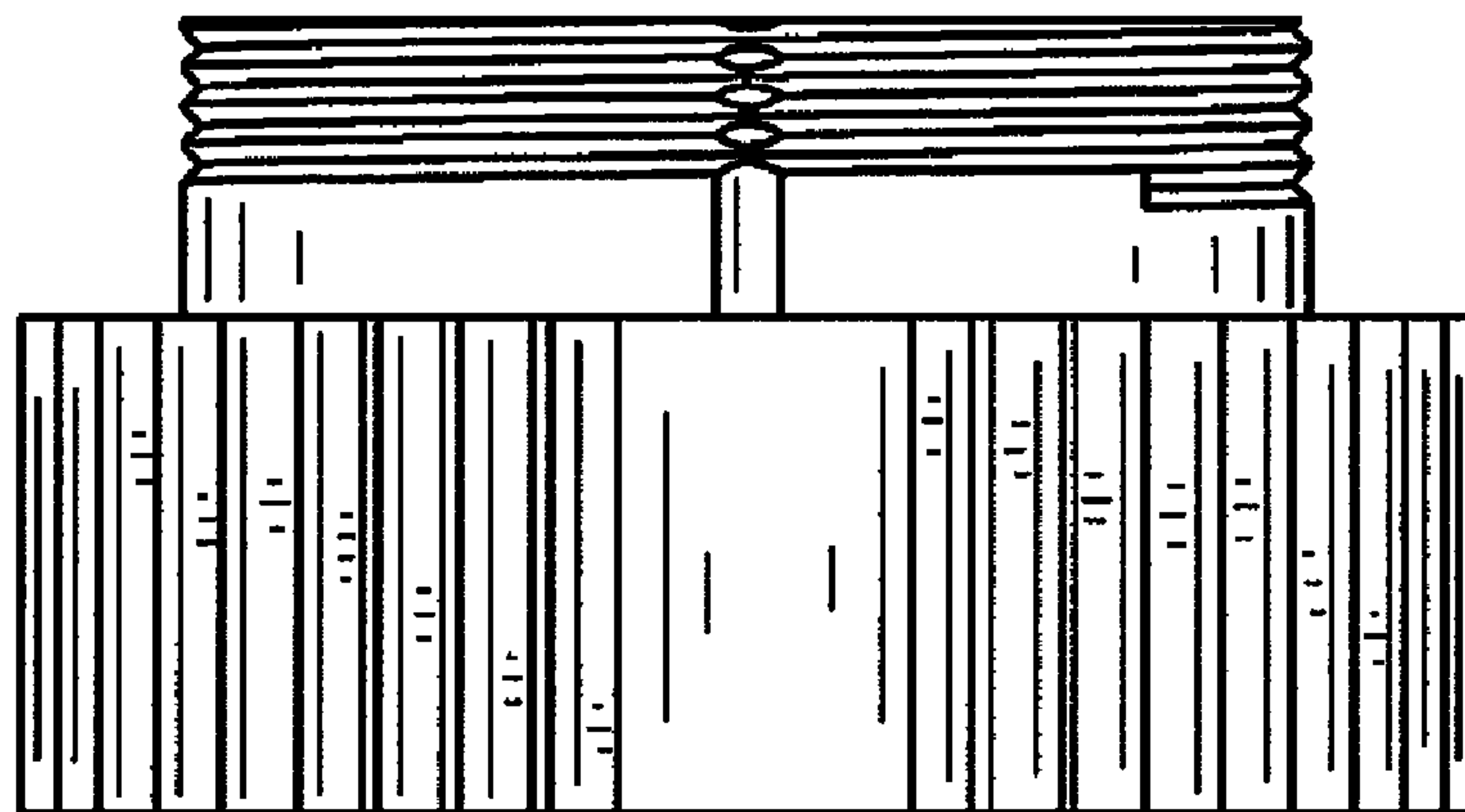


FIG. 2

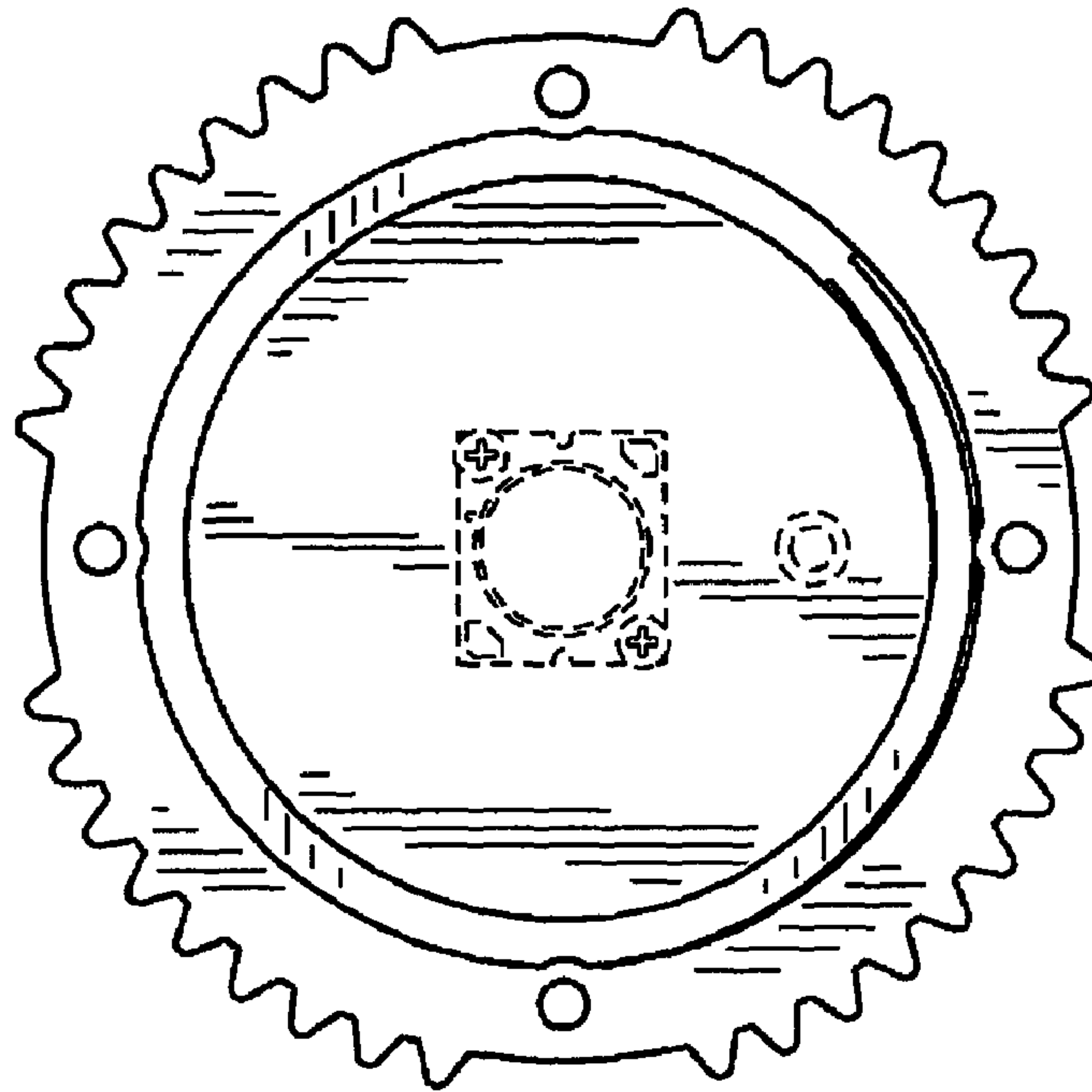


FIG. 3

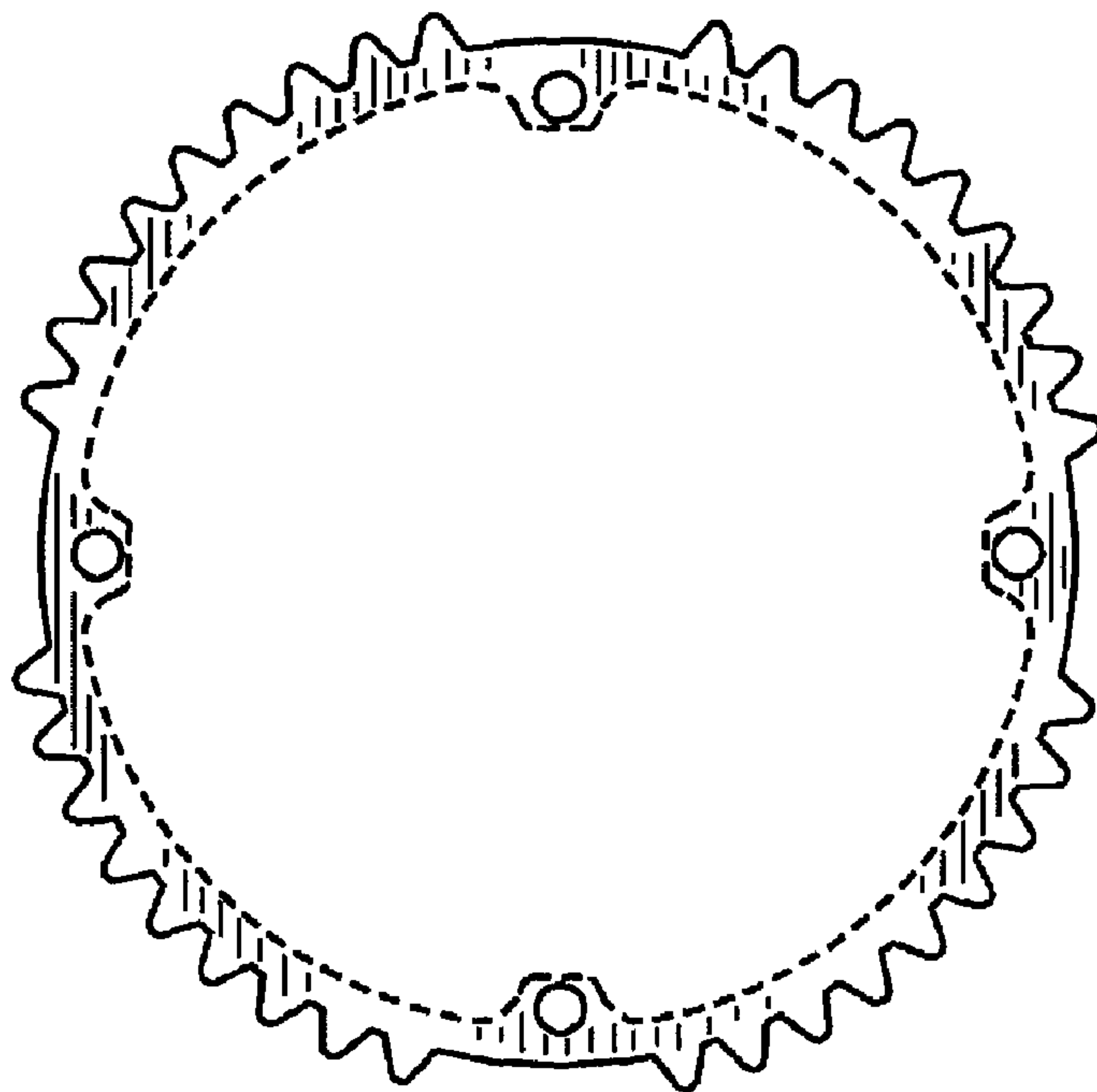


FIG. 4