



US00D650516S

(12) **United States Design Patent**
Lai et al.

(10) **Patent No.:** **US D650,516 S**

(45) **Date of Patent:** **** *Dec. 13, 2011**

(54) **OPTICAL LENS FOR LED**

(75) Inventors: **Chih-Ming Lai**, Miao-Li Hsien (TW);
Hong-Bin Yang, Miao-Li Hsien (TW)

(73) Assignee: **Foxsemicon Integrated Technology, Inc.**, Chu-Nan, Miao-Li Hsien (TW)

(*) Notice: This patent is subject to a terminal disclaimer.

(**) Term: **14 Years**

(21) Appl. No.: **29/363,308**

(22) Filed: **Jun. 8, 2010**

(30) **Foreign Application Priority Data**

Sep. 17, 2009 (CN) 2009 3 0316544

(51) **LOC (9) Cl.** **26-99**

(52) **U.S. Cl.** **D26/124**

(58) **Field of Classification Search** D26/85,
D26/133, 134, 136, 122, 138, 118, 131, 137,
D26/124, 69, 68, 67, 71, 125, 149, 147, 156,
D26/94, 73, 32, 47, 57, 152, 74, 142, 2, 52,
D26/72, 113, 140, 60, 51, 38, 135, 119, 120,
D26/121, 123; D8/71, 72, 395, 328; D19/65,
D19/90; 248/206.5, 389, 229.13, 229.15;
D32/8, 55, 58; 211/106, 119.01, 119.09,
211/85.15; 439/540.1; 362/183, 249.01-249.11,
362/356, 365, 523, 190, 191, 351, 352, 357,
362/358; D24/99, 327, 134, 227; D2/624;
24/316, 306, 339, 3.1, 3.11, 3.12; D6/557,
D6/462; 52/19, 28; 8/38; D14/511, 496

See application file for complete search history.

(56) **References Cited**

U.S. PATENT DOCUMENTS

1,797,743	A *	3/1931	Wesson	43/121
D137,085	S *	1/1944	Cressaty	D26/124
3,163,768	A *	12/1964	Bernheim	250/238
D287,107	S *	12/1986	Bergeron et al.	D10/121
4,698,730	A *	10/1987	Sakai et al.	362/311.05
D297,717	S *	9/1988	Chu	D10/104
5,704,709	A *	1/1998	Zwick et al.	362/304
5,893,633	A *	4/1999	Uchio et al.	362/244
6,402,348	B1 *	6/2002	Ouellette et al.	362/296.01
6,474,831	B1 *	11/2002	Ruuttu et al.	362/148
6,598,998	B2 *	7/2003	West et al.	362/307
6,724,543	B1 *	4/2004	Chinniah et al.	359/718
D495,822	S *	9/2004	Yoneda	D26/124
D511,787	S *	11/2005	Galli	D16/134
6,972,439	B1 *	12/2005	Kim et al.	257/98
D520,143	S *	5/2006	Yoneda	D24/209
D523,826	S *	6/2006	Kamada	D13/180
7,121,691	B2 *	10/2006	Coushaine et al.	362/298
7,142,769	B2 *	11/2006	Hsieh et al.	385/146
7,153,000	B2 *	12/2006	Park et al.	362/268
7,217,004	B2 *	5/2007	Park et al.	362/240

(Continued)

Primary Examiner — Cathron C Brooks

Assistant Examiner — Kevin K Rudzinski

(74) *Attorney, Agent, or Firm* — Altis Law Group, Inc.

(57) **CLAIM**

The ornamental design for an optical lens for LED, as shown and described.

DESCRIPTION

FIG. 1 is a perspective view of an optical lens for LED showing our new design.

FIG. 2 is a front elevational view thereof.

FIG. 3 is a rear elevational view thereof.

FIG. 4 is a left-side, elevational view thereof.

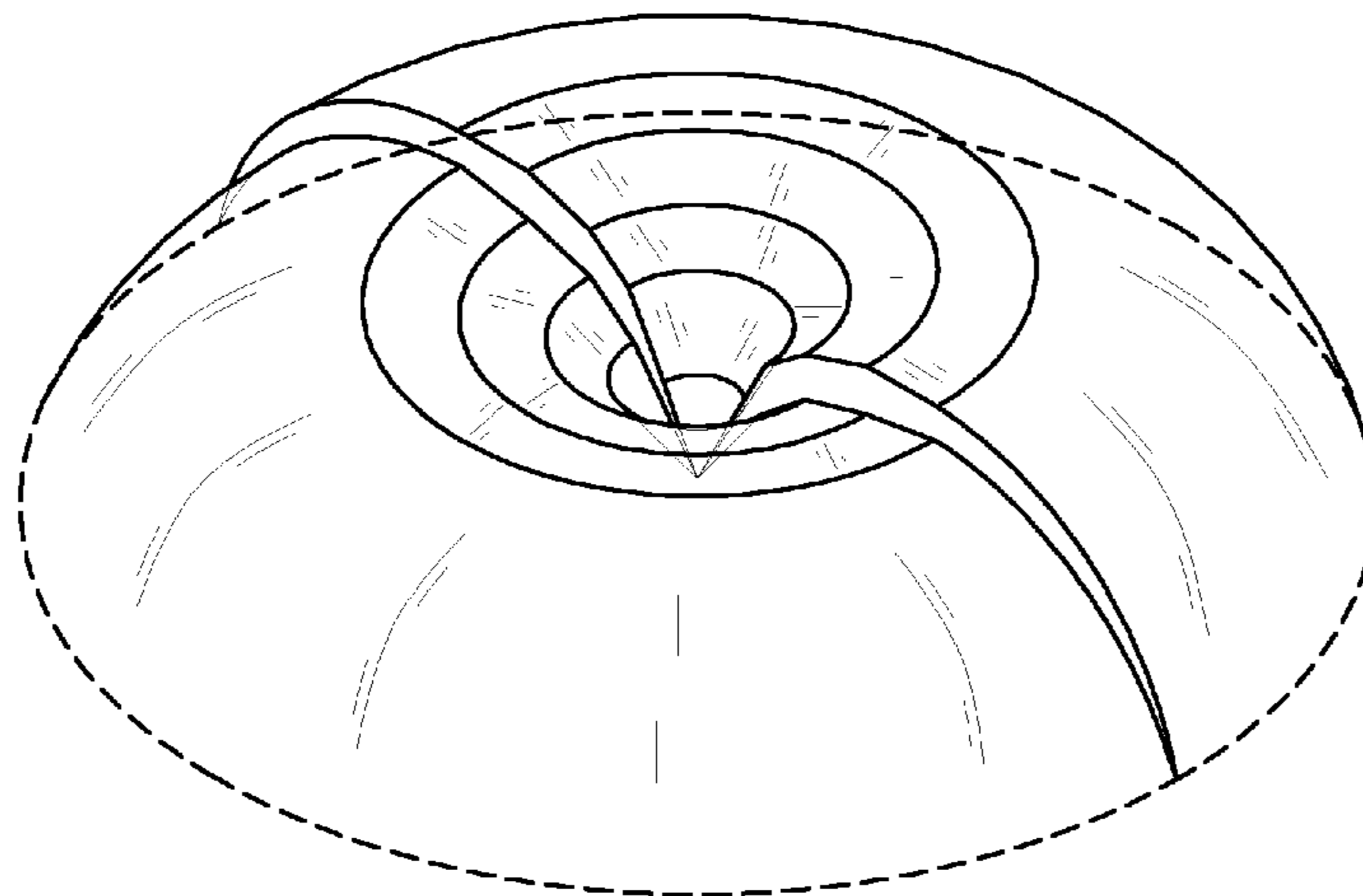
FIG. 5 is a right-side, elevational view thereof.

FIG. 6 is a top plan view thereof; and,

FIG. 7 is a bottom plan view thereof.

The broken lines shown form no part of the claimed design.

1 Claim, 7 Drawing Sheets



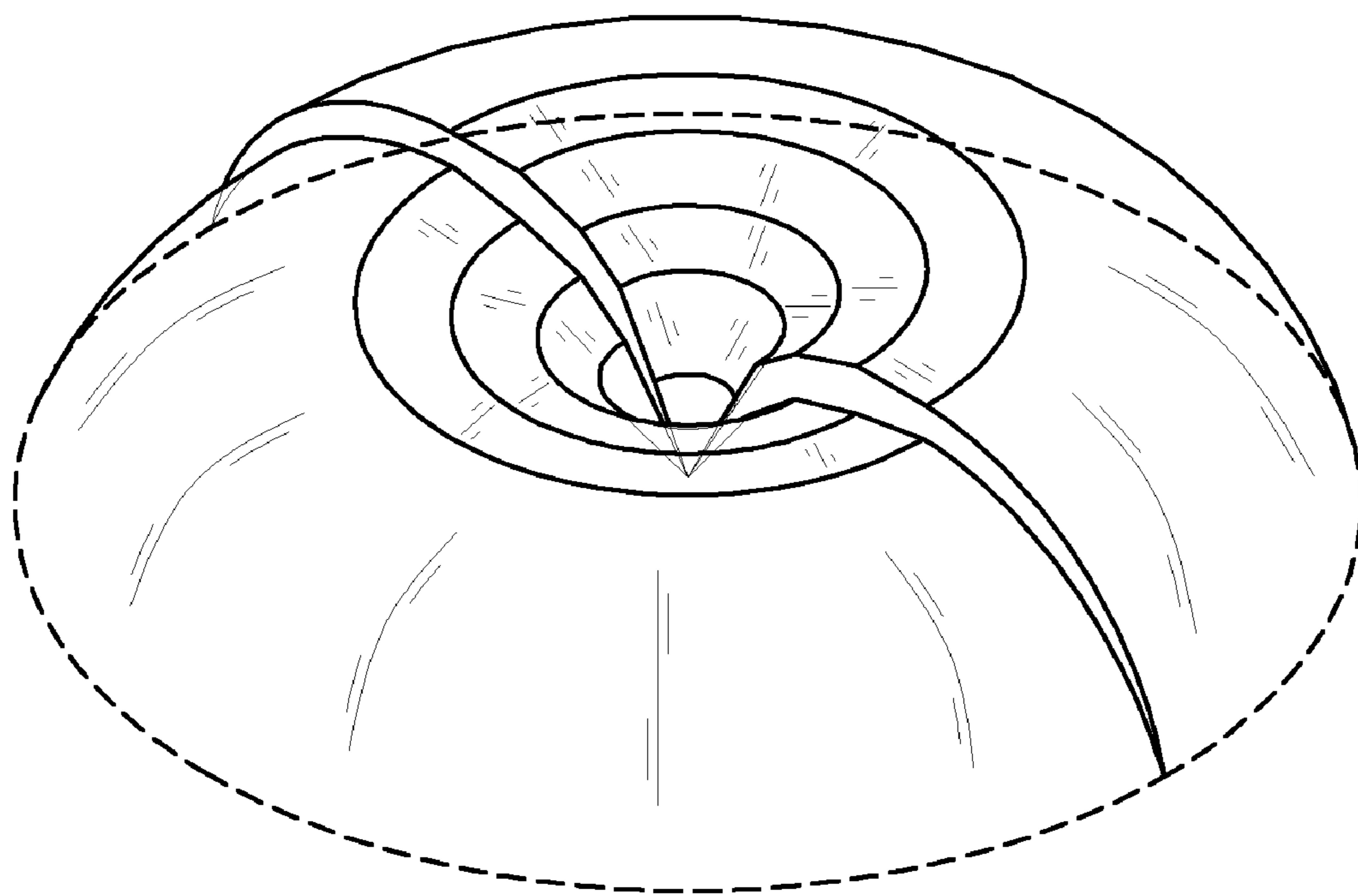


FIG. 1

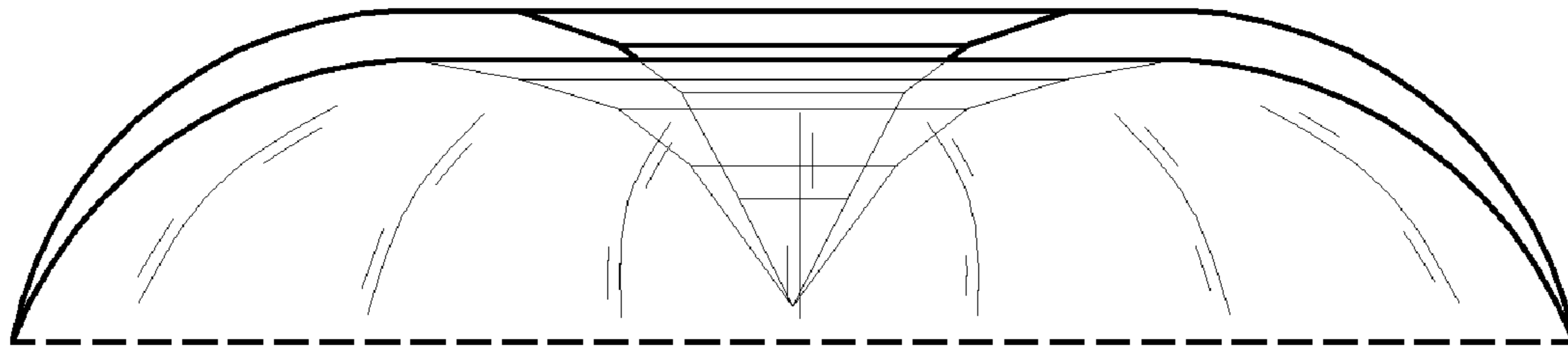


FIG. 2

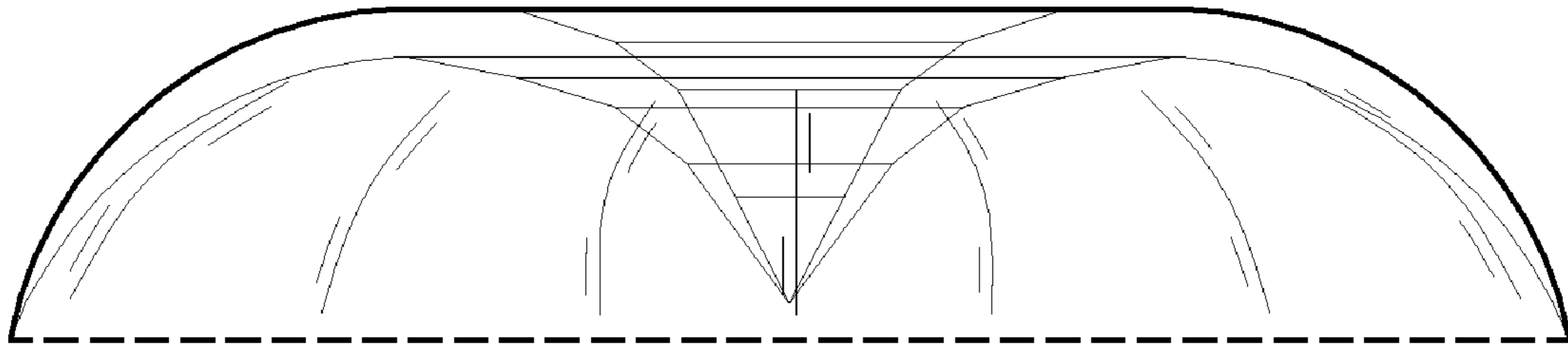


FIG. 3

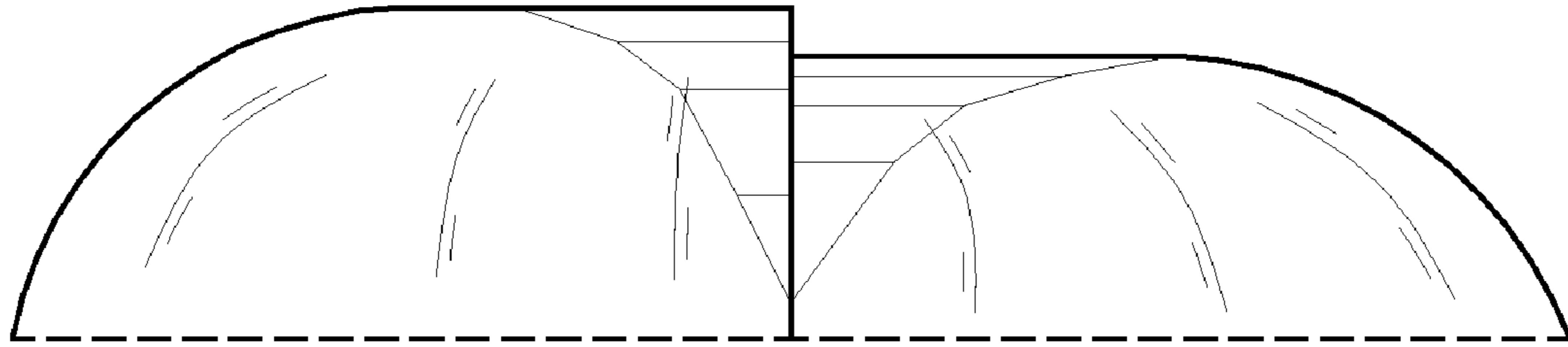


FIG. 4

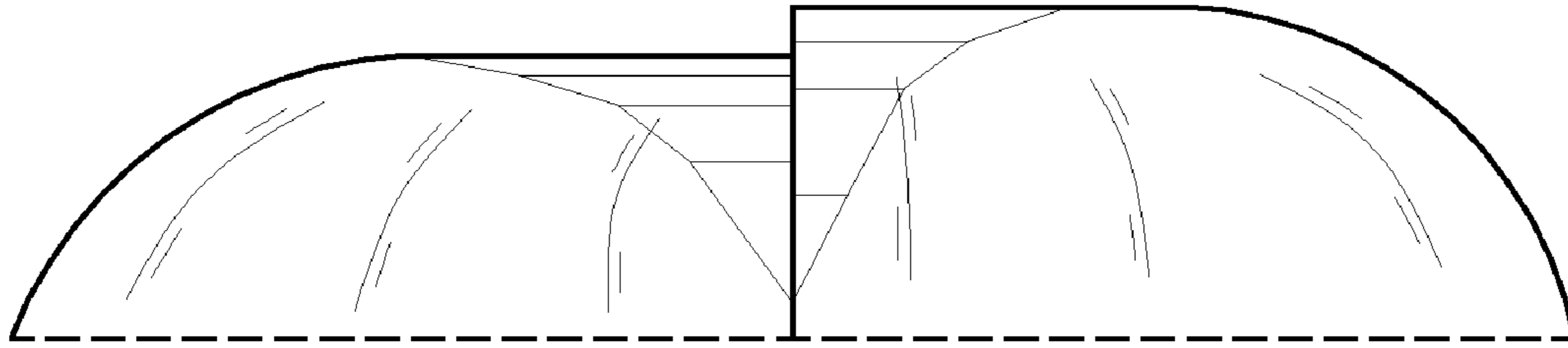


FIG. 5

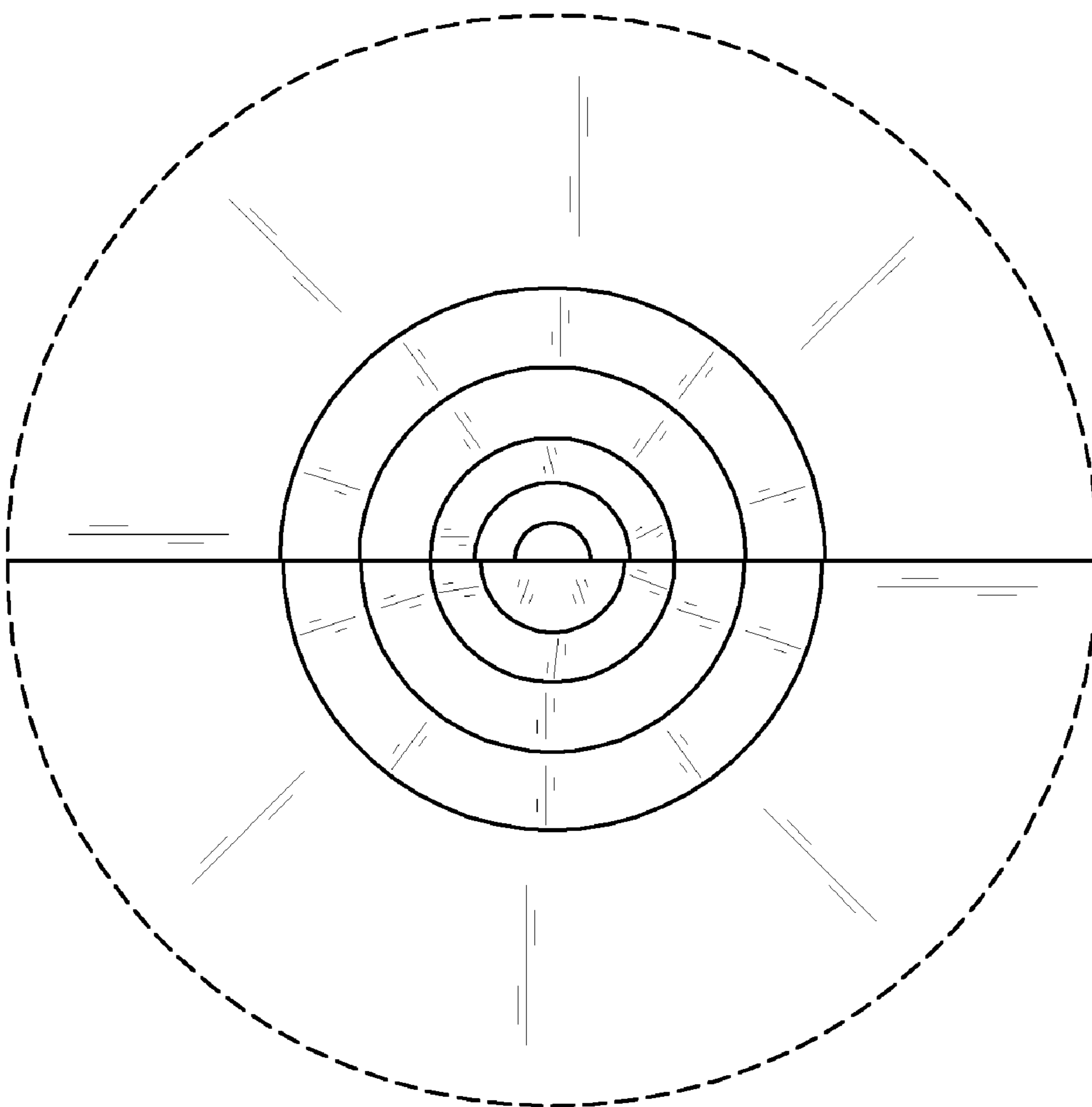


FIG. 6

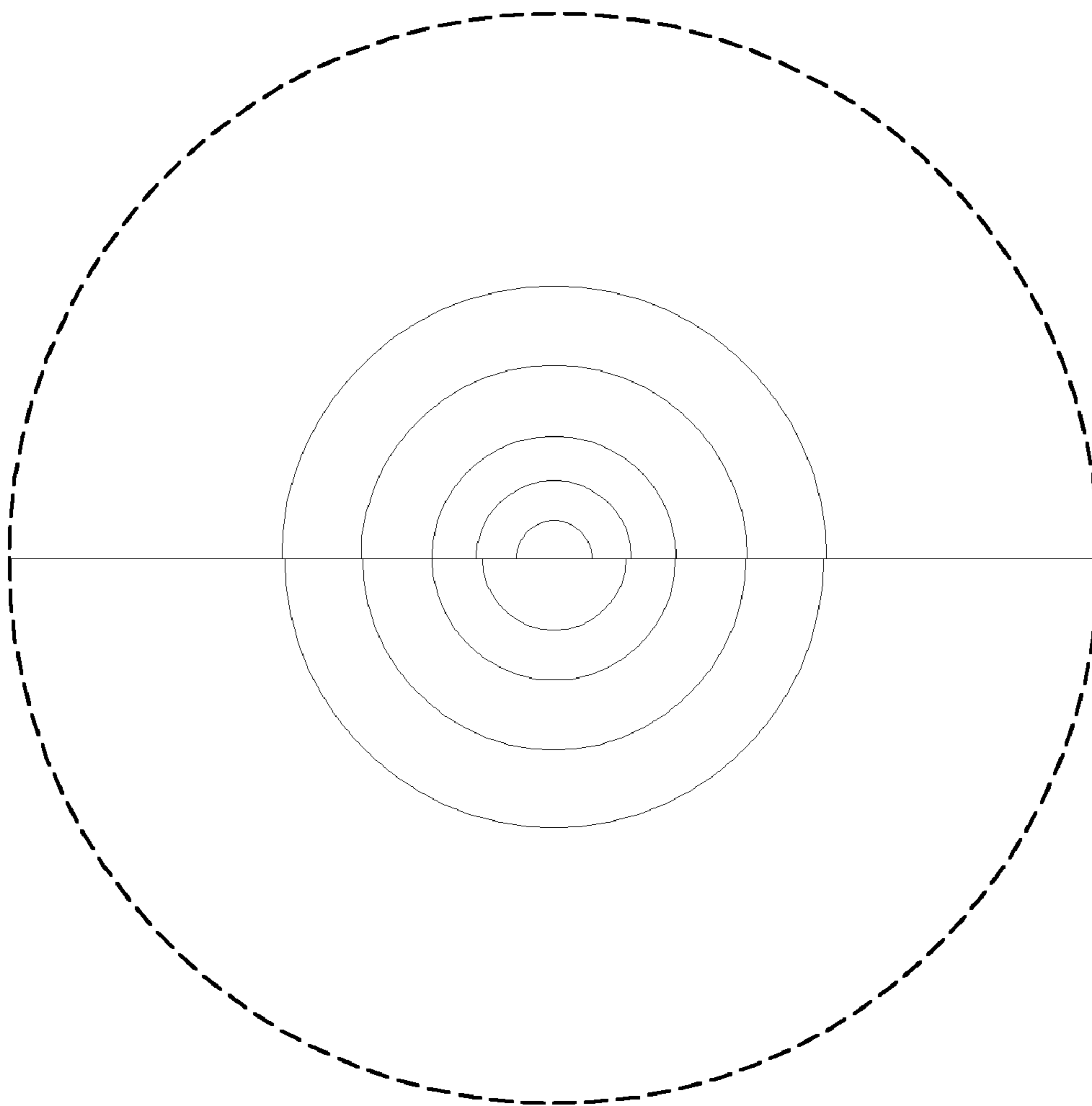


FIG. 7