



US00D650515S

(12) **United States Design Patent**  
**Bradley, Jr. et al.**

(10) **Patent No.:** **US D650,515 S**  
(45) **Date of Patent:** **\*\* Dec. 13, 2011**

(54) **LIGHT FIXTURE REFLECTOR**  
(75) Inventors: **Aubrey Ray Bradley, Jr.**, La Habra, CA (US); **Robert Gordon Andersen**, Laughlin, NV (US)  
(73) Assignee: **Growlite, Inc.**, Whittier, CA (US)  
(\*\*) Term: **14 Years**  
(21) Appl. No.: **29/391,780**  
(22) Filed: **May 12, 2011**

2,242,590 A \* 5/1941 Moreau ..... 362/341  
D174,221 S \* 3/1955 Hatch et al. .... D26/128  
3,420,995 A \* 1/1969 Dunkel ..... 362/366  
3,675,008 A \* 7/1972 Hill ..... 362/355  
3,701,898 A \* 10/1972 McNamara, Jr. .... 362/341  
4,293,901 A \* 10/1981 Hernandez ..... 362/346  
4,344,111 A \* 8/1982 Ruud et al. .... 362/33  
D276,659 S \* 12/1984 Habro ..... D26/118  
4,531,180 A \* 7/1985 Hernandez ..... 362/297  
4,575,788 A \* 3/1986 Lewin ..... 362/346  
4,616,293 A \* 10/1986 Baliozian ..... 362/7  
4,660,128 A \* 4/1987 Bergin et al. .... 362/462  
D300,877 S \* 4/1989 Cyr ..... D26/134

(Continued)

(51) **LOC (9) Cl.** ..... **26-99**  
(52) **U.S. Cl.** ..... **D26/118**  
(58) **Field of Classification Search** ..... D26/38,  
D26/36, 46, 73, 76, 81, 84, 88, 118, 138,  
D26/120, 13, 154, 155, 145, 86, 87, 85, 142,  
D26/61, 24, 93, 92, 153, 91, 89, 74, 121,  
D26/122, 71, 110, 105, 111, 131, 83, 80,  
D26/1, 2, 3, 4, 5, 26, 123, 125, 128, 63, 62,  
D26/64, 65, 41, 69, 139, 152, 150, 151, 141,  
D26/143, 144, 51, 140; 362/269, 648, 238,  
362/111, 105, 86, 373, 294, 362, 297, 346,  
362/341, 356, 352, 433, 404, 235, 240, 249.01-249.11,  
362/321, 287, 374, 427, 190, 281, 324, 272,  
362/244, 555, 147, 348, 263, 350; D10/11,  
D10/114.1; D22/108; 42/146, 117, 114,  
42/115, 116, 142, 1.01; 439/110; 403/92,  
403/97; 285/69, 78, 65; 257/89; D16/221;  
D13/110, 133, 134, 179, 180, 182; 160/332;  
D11/90, 89, 121, 125, 131; D25/119, 124,  
D25/125, 138; D23/386; D8/373, 354, 349,  
D8/389, 382, 363, 356, 377  
See application file for complete search history.

*Primary Examiner* — Kevin Rudzinski  
(74) *Attorney, Agent, or Firm* — Marc E. Hankin; Kevin Schraven; Hankin Patent Law, APC

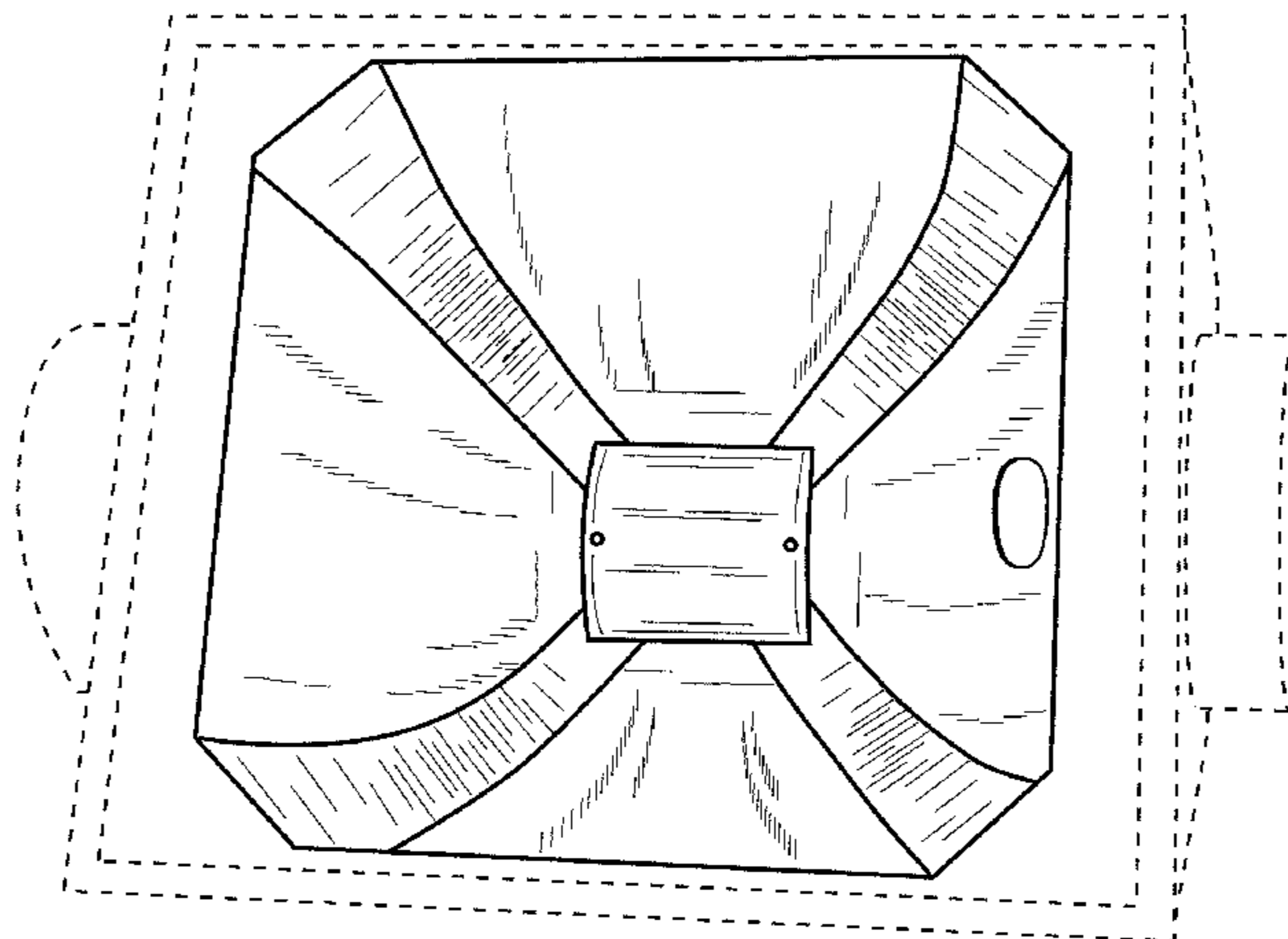
(57) **CLAIM**  
The ornamental design for a light fixture reflector, as shown and described.

**DESCRIPTION**

FIG. 1 is an illustration of a perspective view of the light fixture reflector within a preferred environment.  
FIG. 2 is an illustration of a front view of the light fixture reflector.  
FIG. 3 is an illustration of a back view of the light fixture reflector.  
FIG. 4 is an illustration of a right side view of the light fixture reflector.  
FIG. 5 is an illustration of a left side view of the light fixture reflector.  
FIG. 6 is an illustration of a top side view of the light fixture reflector; and,  
FIG. 7 is an illustration of a bottom side view of the light fixture reflector.  
The broken lines shown in the drawings illustrating unclaimed environmental structures form no part of the claimed design.

(56) **References Cited**  
**U.S. PATENT DOCUMENTS**  
32,722 A \* 7/1861 Schmidlin et al. .... 362/350  
D62,926 S \* 8/1923 Weber ..... D26/134  
1,987,705 A \* 1/1935 Pedersen ..... 362/364

**1 Claim, 7 Drawing Sheets**



# US D650,515 S

Page 2

## U.S. PATENT DOCUMENTS

D311,597	S *	10/1990	Poot	.....	D26/118
D323,037	S *	1/1992	Edwards	.....	D26/118
5,199,784	A *	4/1993	Hempleman	.....	362/294
D365,159	S *	12/1995	Tinen	.....	D25/138
5,690,422	A *	11/1997	Brass	.....	362/297
6,042,250	A *	3/2000	Stragnola	.....	362/297
D424,229	S *	5/2000	Leen	.....	D26/71
D425,652	S *	5/2000	Brok	.....	D26/118
D426,010	S *	5/2000	Compton	.....	D26/67
D428,516	S *	7/2000	Reo et al.	.....	D26/118
6,152,579	A *	11/2000	Reed et al.	.....	362/320
D437,446	S *	2/2001	Reo et al.	.....	D26/91
D439,008	S *	3/2001	Kim	.....	D26/118
D442,733	S *	5/2001	Minissi et al.	.....	D26/118
D443,949	S *	6/2001	DiMonte	.....	D26/155
D447,272	S	8/2001	Smith	.....	
D460,209	S *	7/2002	Kovach et al.	.....	D26/118
6,464,378	B1 *	10/2002	Reed et al.	.....	362/320
D469,564	S *	1/2003	Brok	.....	D26/118
D496,121	S *	9/2004	Santoro	.....	D26/74
D543,652	S *	5/2007	Hargreaves	.....	D26/76
7,213,948	B2 *	5/2007	Hein	.....	362/346
D544,984	S *	6/2007	Hargreaves	.....	D26/76
D544,987	S	6/2007	Hargreaves	.....	
D545,484	S	6/2007	Hargreaves	.....	
D545,994	S *	7/2007	Hargreaves	.....	D26/118
D553,781	S *	10/2007	Pickard et al.	.....	D26/74
7,354,177	B2 *	4/2008	Wilcox et al.	.....	362/297
D569,024	S *	5/2008	Redfern	.....	D26/74
7,445,363	B2 *	11/2008	Vanden Eynden	.....	362/346
7,524,090	B2	4/2009	Hargreaves	.....	
7,534,011	B2 *	5/2009	Townsley	.....	362/294
7,591,567	B2 *	9/2009	Wilcox et al.	.....	362/297
D601,741	S *	10/2009	Trott et al.	.....	D26/74
D604,450	S *	11/2009	Blumer	.....	D26/118
7,641,367	B2	1/2010	Hargreaves et al.	.....	
D614,338	S *	4/2010	Sieczkowski et al.	.....	D26/74
D614,801	S *	4/2010	Collins et al.	.....	D26/118
7,722,208	B1 *	5/2010	Dupre et al.	.....	362/147
D628,335	S *	11/2010	Hyland	.....	D26/74
D629,959	S *	12/2010	Boissevain	.....	D26/120
D634,060	S *	3/2011	Wardenburg	.....	D26/118
D634,468	S	3/2011	Hargreaves	.....	
D634,469	S	3/2011	Hargreaves	.....	
D637,341	S *	5/2011	Wardenburg	.....	D26/118
D637,752	S *	5/2011	Mekhtarian	.....	D26/72
D641,918	S *	7/2011	Reo et al.	.....	D26/118
7,972,044	B2 *	7/2011	Burkhauser	.....	362/373
2002/0141195	A1 *	10/2002	Peter	.....	362/362
2008/0117617	A1	5/2008	Hargreaves et al.	.....	
2008/0205030	A1 *	8/2008	Hargreaves	.....	362/1
2008/0278950	A1 *	11/2008	Pickard et al.	.....	362/294
2009/0262540	A1 *	10/2009	Hargreaves et al.	.....	362/362
2010/0277929	A1	11/2010	Hargreaves et al.	.....	

\* cited by examiner

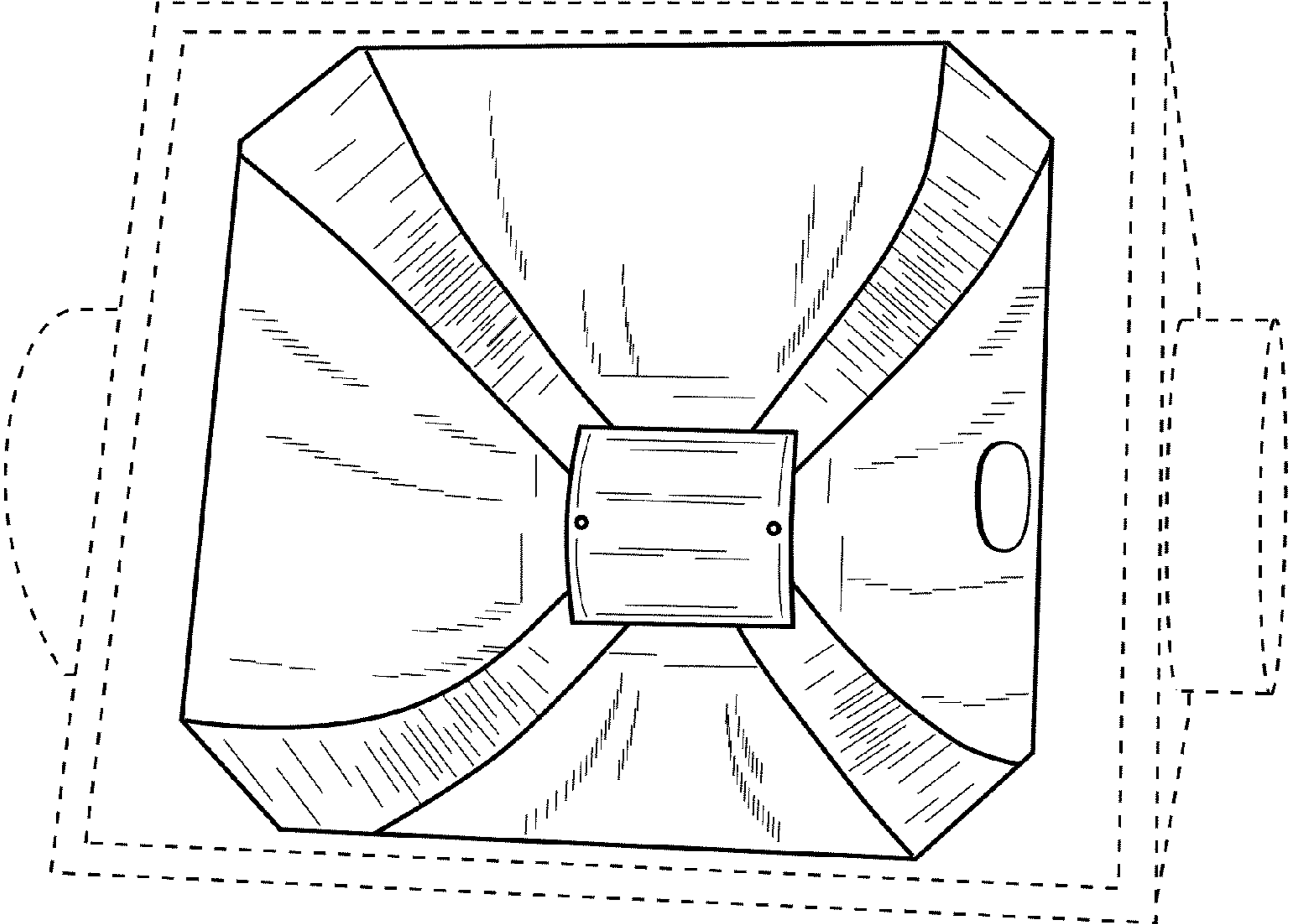


FIG. 1



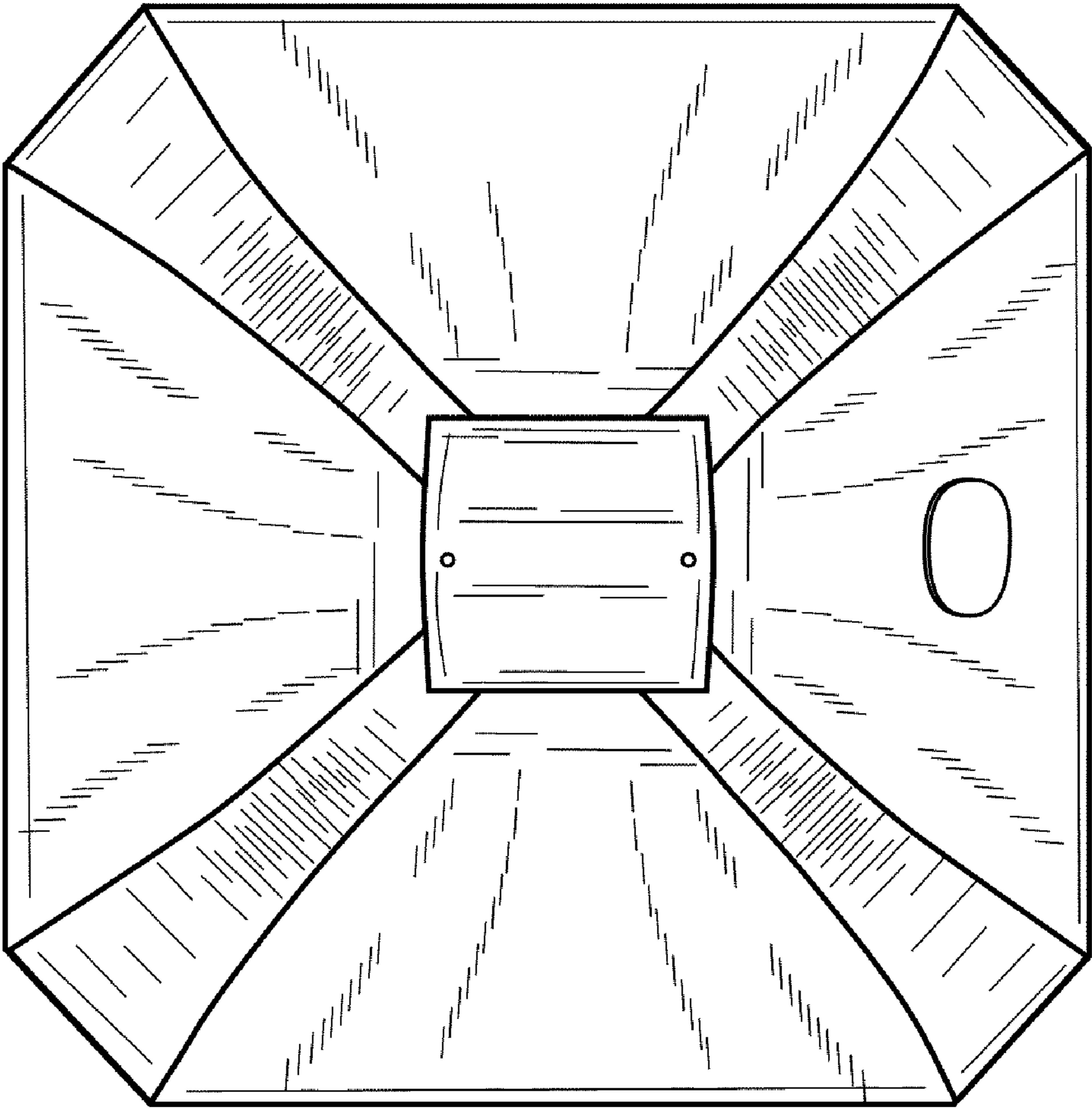


FIG. 2

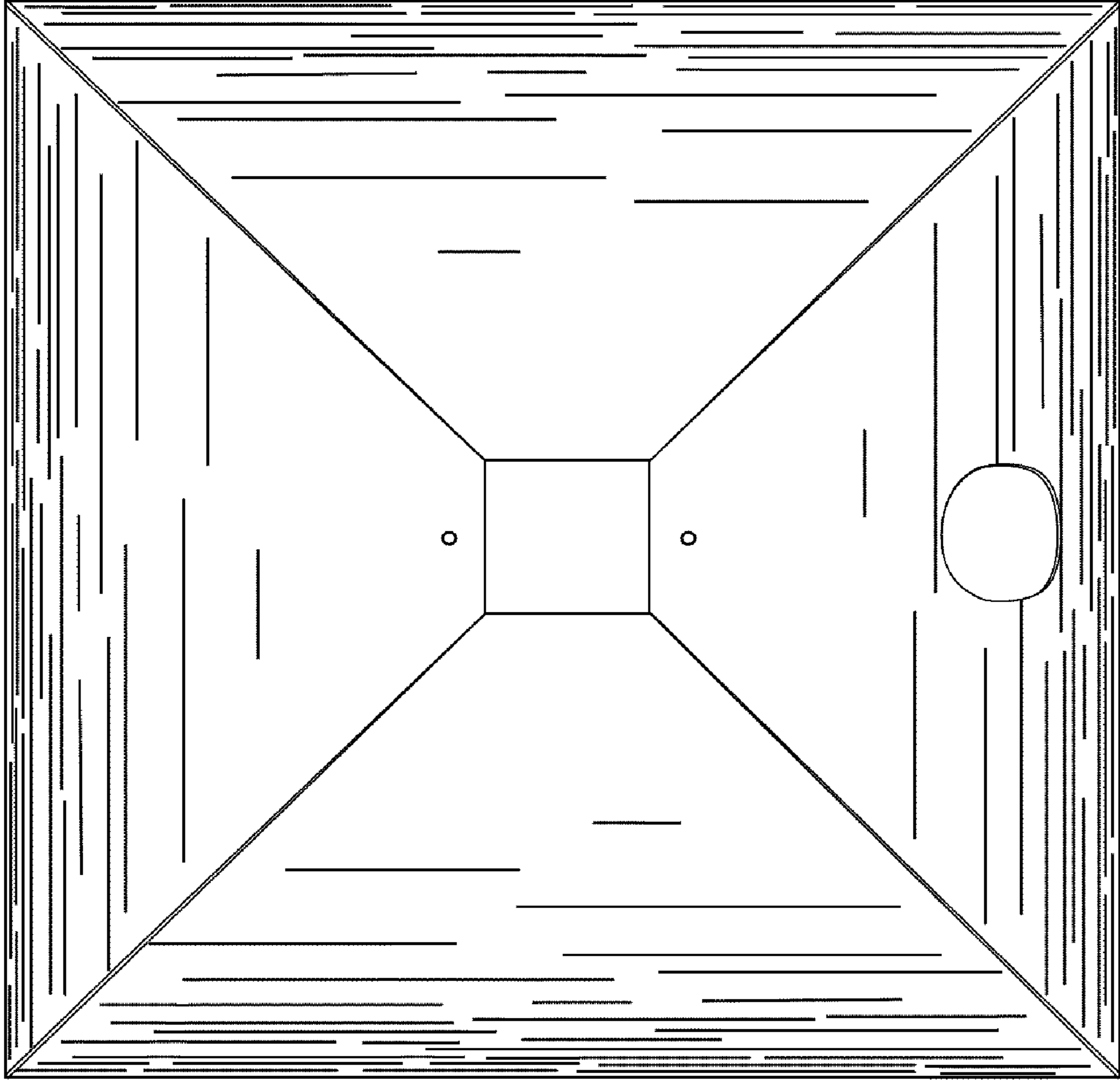
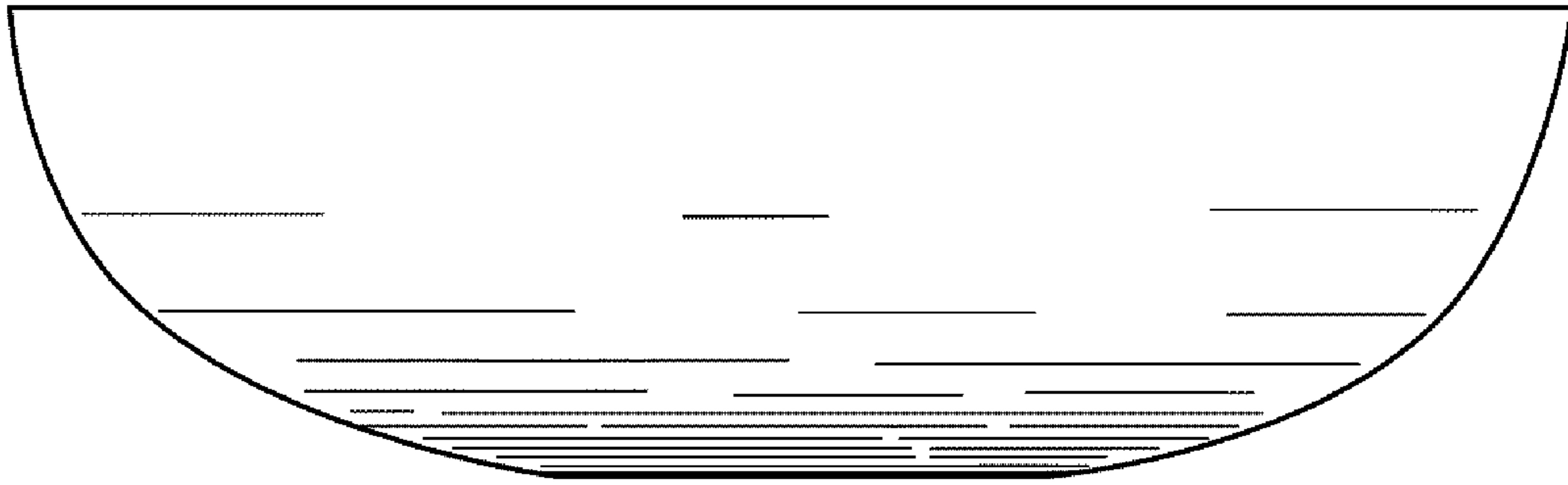
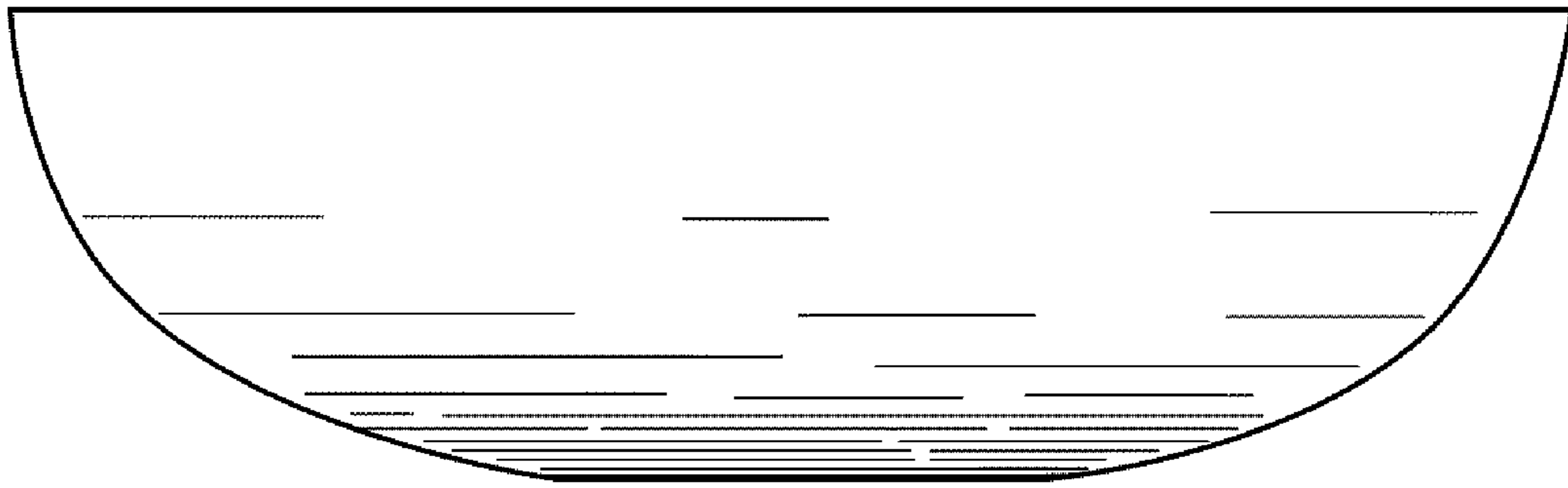


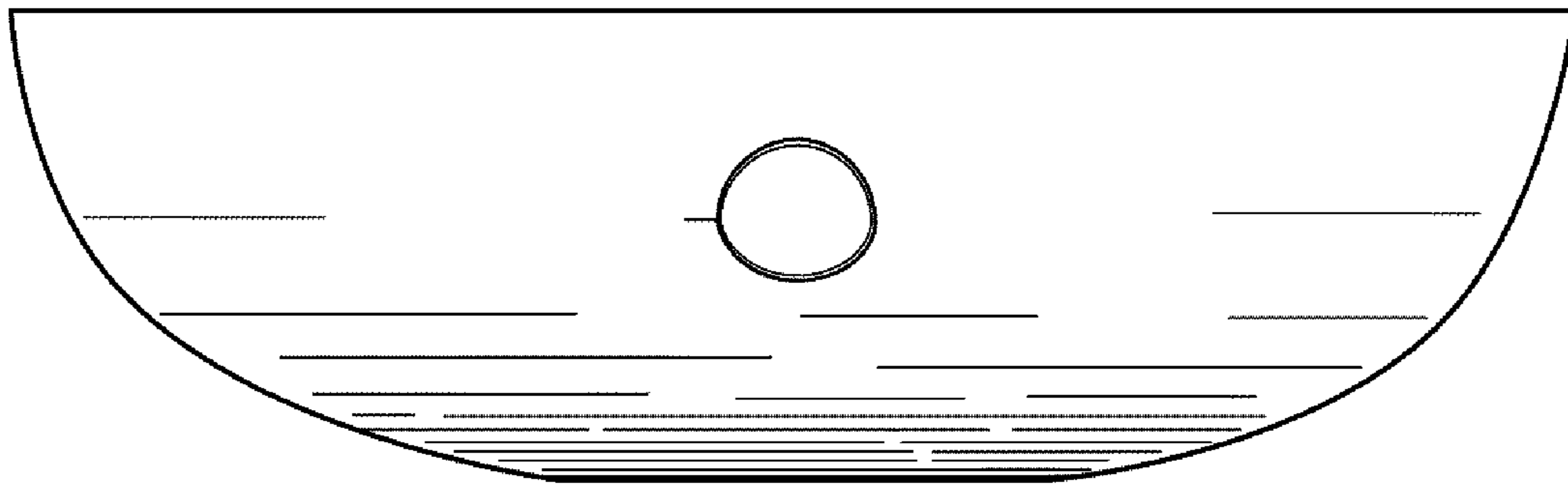
FIG. 3



**FIG. 4**

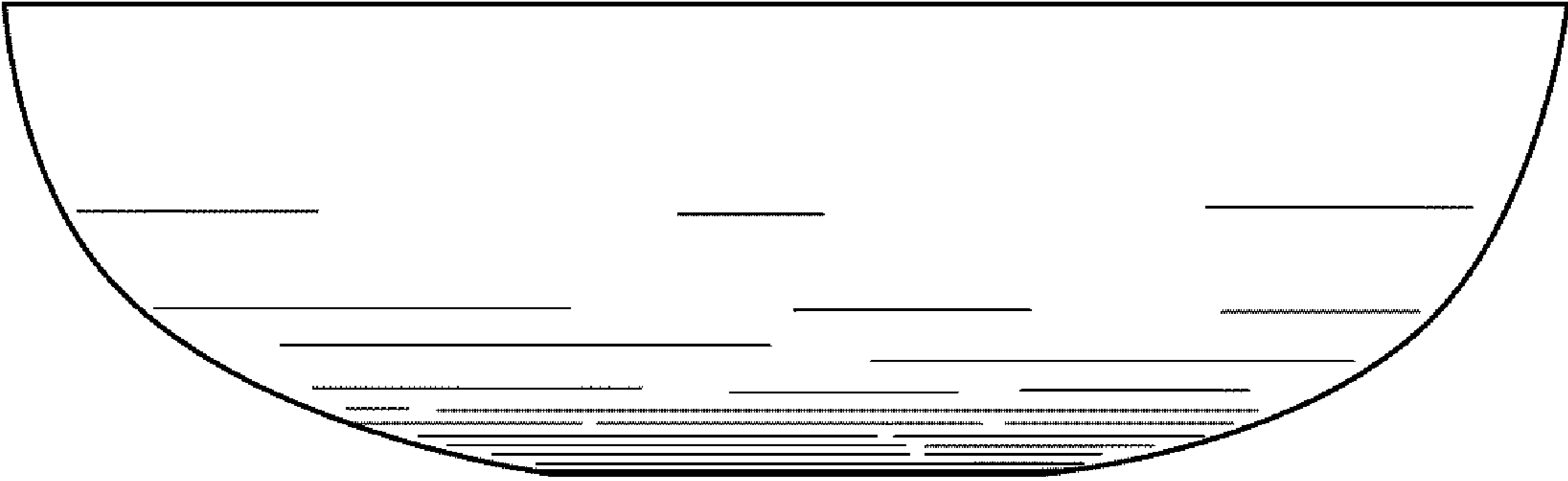


**FIG. 5**



**FIG. 6**





**FIG. 7**