



US00D650514S

(12) **United States Design Patent**  
**Lin et al.**

(10) **Patent No.:** **US D650,514 S**

(45) **Date of Patent:** **\*\* Dec. 13, 2011**

(54) **FLOWER-SHAPED PROJECTION LAMP**

(75) Inventors: **Chih-Chen Lin**, New Taipei (TW);  
**Wen-Chin Lin**, Taoyuan County (TW);  
**Shuh-Hwar Yahn**, New Taipei (TW)

(73) Assignee: **GD Lighting Technology Co., Ltd.**,  
New Taipei (TW)

(\*\*) Term: **14 Years**

(21) Appl. No.: **29/387,543**

(22) Filed: **Mar. 15, 2011**

(30) **Foreign Application Priority Data**

Sep. 17, 2010 (TW) ..... 99304711

(51) **LOC (9) Cl.** ..... **26-99**

(52) **U.S. Cl.** ..... **D26/118**

(58) **Field of Classification Search** ..... D26/122,  
D26/138, 118, 120, 76, 80, 63, 62, 68, 121,  
D26/155, 152, 2, 24, 25, 26, 28, 46, 47, 49,  
D26/60, 67, 71, 72, 73, 78, 79, 81, 83, 88,  
D26/85, 93, 101, 102, 103, 104, 105, 110,  
D26/113, 119, 123, 124, 128, 127, 129, 130,  
D26/135, 137, 154, 59, 90, 140, 142, 145;  
362/362, 363, 326, 329, 330, 342, 351, 356,  
362/357, 296, 297, 299, 300, 301, 302, 317,  
362/325, 377, 121, 147, 148, 151, 171, 186,  
362/218, 219, 648, 650, 257, 279, 280, 290,  
362/292, 293; D13/179, 180

See application file for complete search history.

(56) **References Cited**

**U.S. PATENT DOCUMENTS**

D38,264 S \* 10/1906 Lewis ..... D26/127  
D62,916 S \* 8/1923 Peck ..... D26/24  
D149,729 S \* 5/1948 Aronek ..... D26/101

D365,411 S \* 12/1995 Yan ..... D26/125  
D372,325 S \* 7/1996 Hackworth ..... D26/128  
D392,763 S \* 3/1998 Denison et al. .... D26/68  
5,749,648 A \* 5/1998 Lin ..... 362/353  
5,816,686 A \* 10/1998 Wang et al. .... 362/653  
D443,711 S \* 6/2001 Lindsay ..... D26/68  
D459,824 S \* 7/2002 Leen ..... D26/73  
D470,621 S \* 2/2003 Cheng ..... D26/127  
6,776,511 B1 \* 8/2004 Lindsay ..... 362/377  
D628,731 S \* 12/2010 Chen ..... D26/68  
D629,137 S \* 12/2010 Chen ..... D26/68  
D629,138 S \* 12/2010 Chen ..... D26/68  
D634,456 S \* 3/2011 Jones ..... D26/24  
2008/0130273 A1 \* 6/2008 Norton et al. .... 362/122

\* cited by examiner

*Primary Examiner* — Kevin Rudzinski

(74) *Attorney, Agent, or Firm* — Rosenberg, Klein & Lee

(57) **CLAIM**

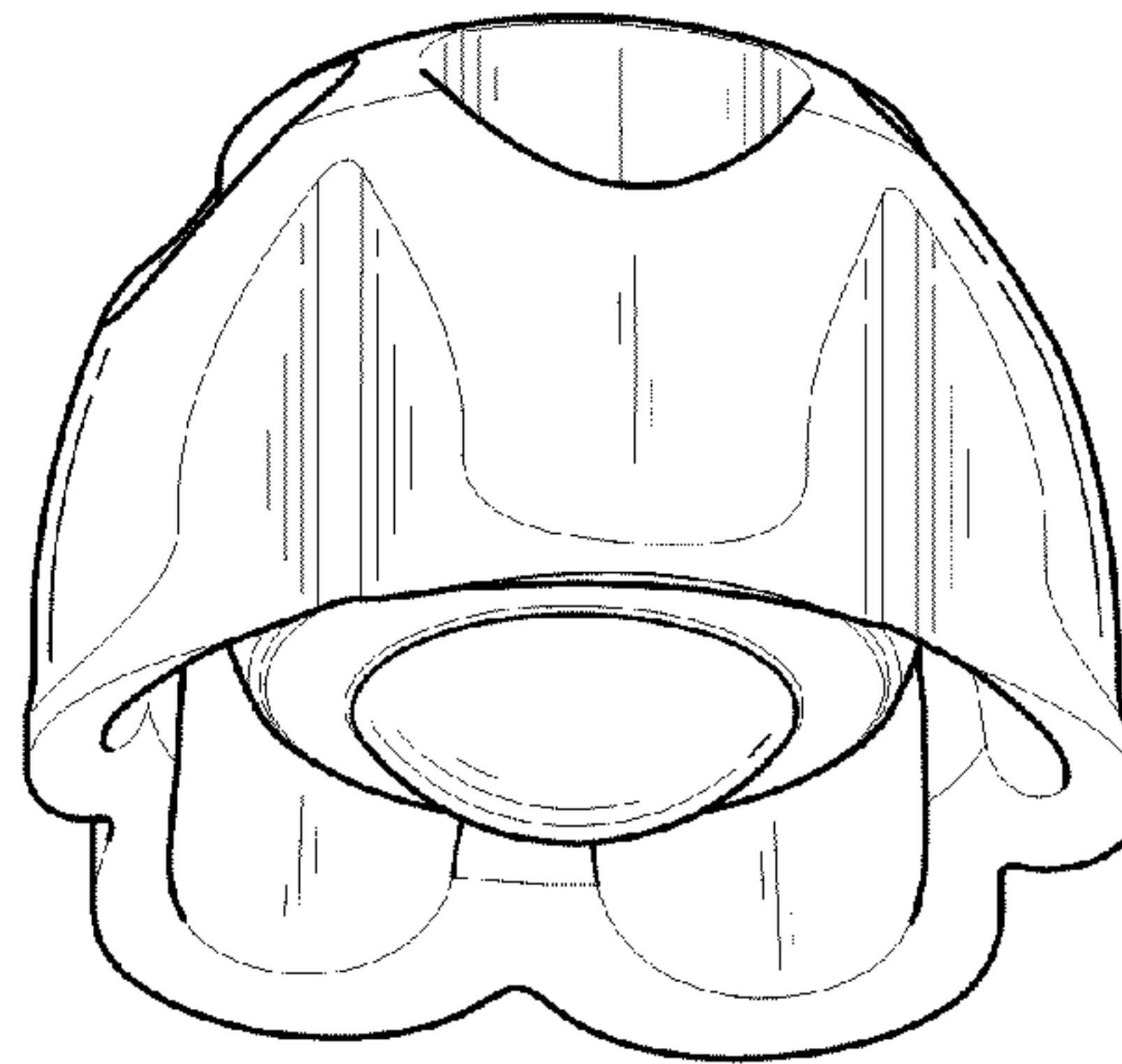
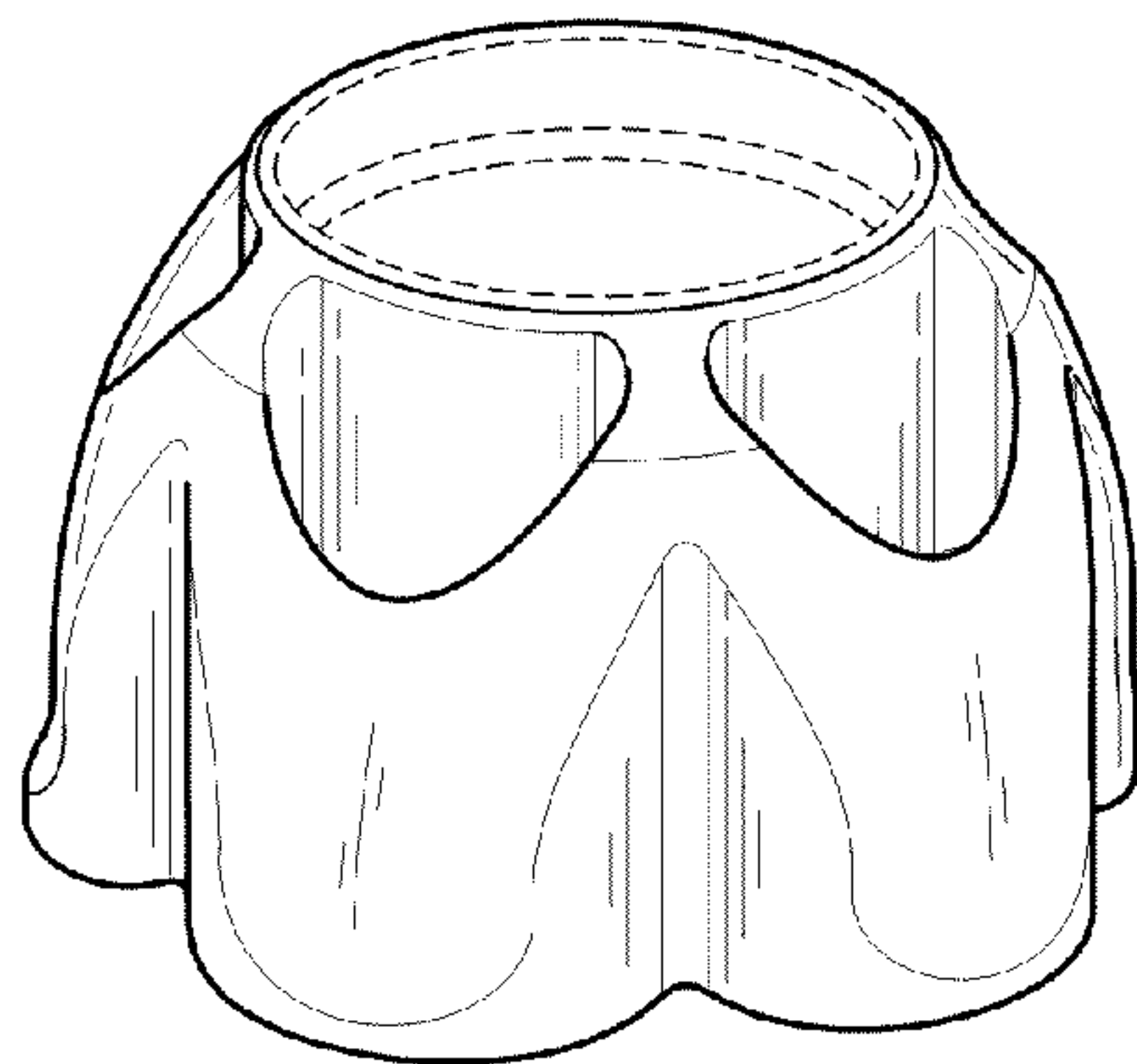
The ornamental design for a flower-shaped projection lamp, as shown and described.

**DESCRIPTION**

FIG. 1 is a perspective view of a flower-shaped projection lamp showing my new design;  
FIG. 2 is a bottom left perspective view thereof;  
FIG. 3 is a front elevational view thereof;  
FIG. 4 is a rear elevational view thereof;  
FIG. 5 is a right side elevational view thereof;  
FIG. 6 is a left side elevational view thereof;  
FIG. 7 is a top plan view thereof;  
FIG. 8 is a bottom plan view thereof.  
FIG. 9 shows an application of use of my new design;  
FIG. 10 shows another application of use thereof; and,  
FIG. 11 shows a further application of use thereof.

The broken lines shown are included for the purpose of illustrating unclaimed environmental structures and form no part of the claimed design.

**1 Claim, 5 Drawing Sheets**



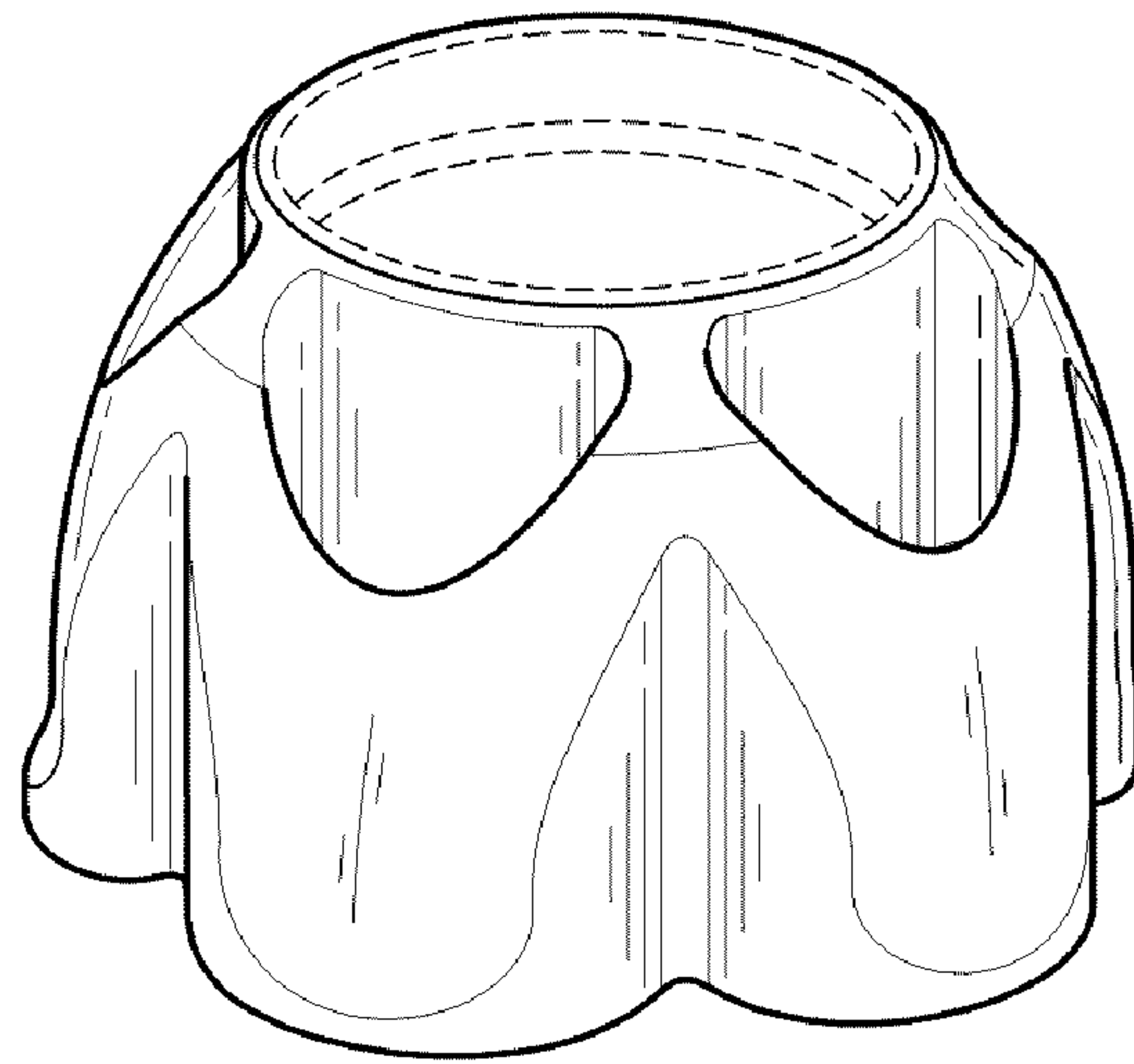


FIG.1

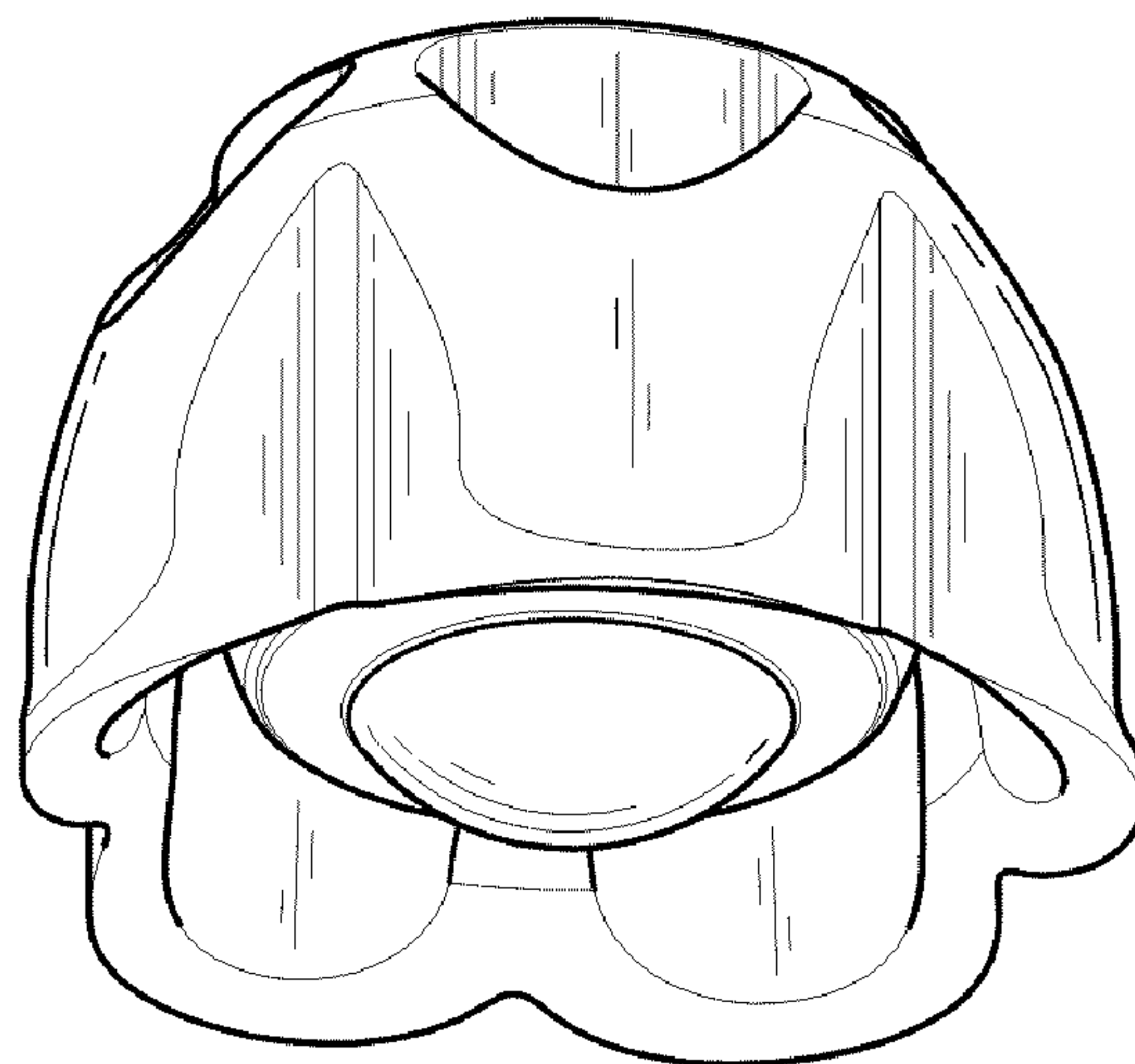


FIG.2

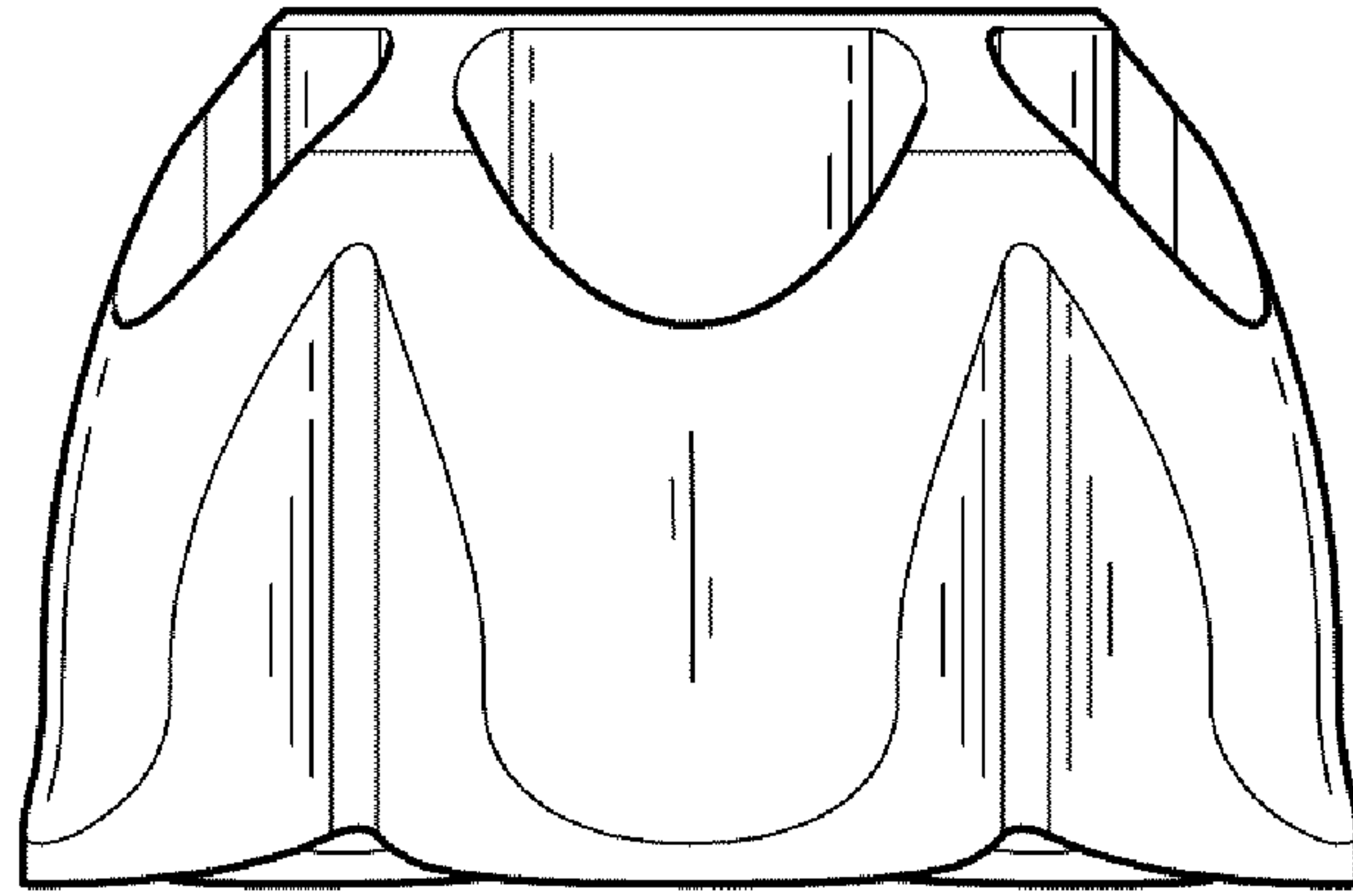


FIG. 3

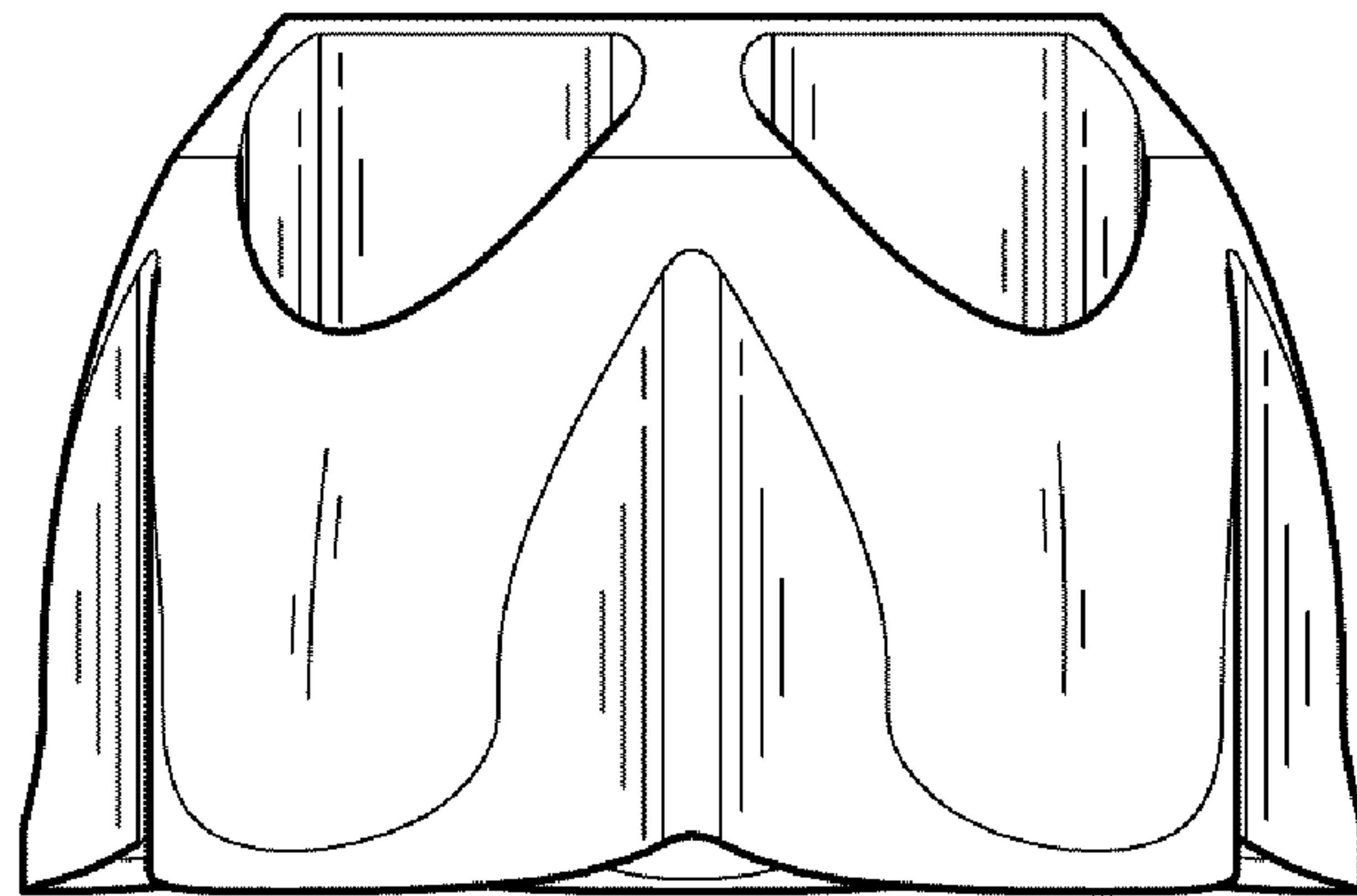


FIG. 4

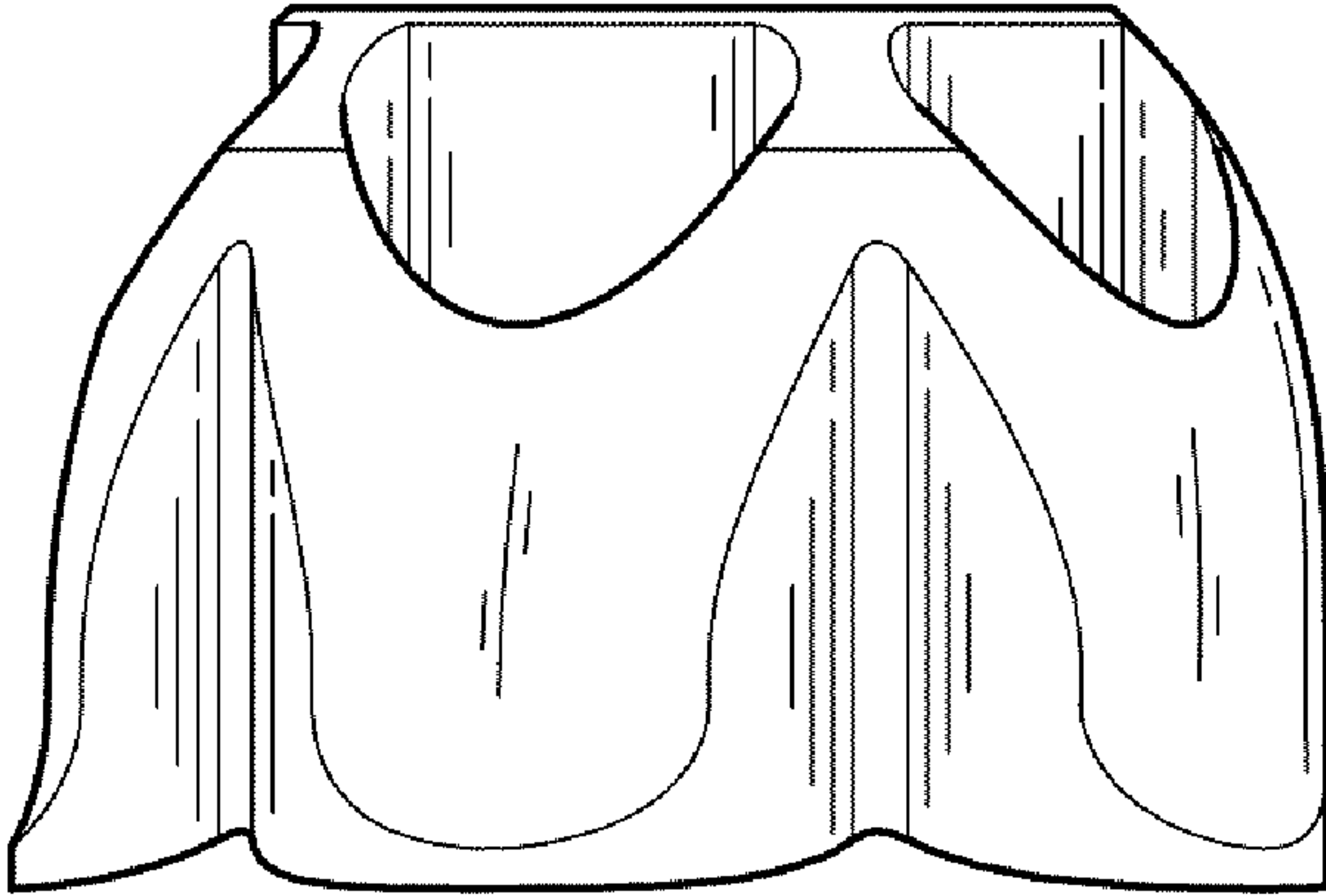


FIG. 5

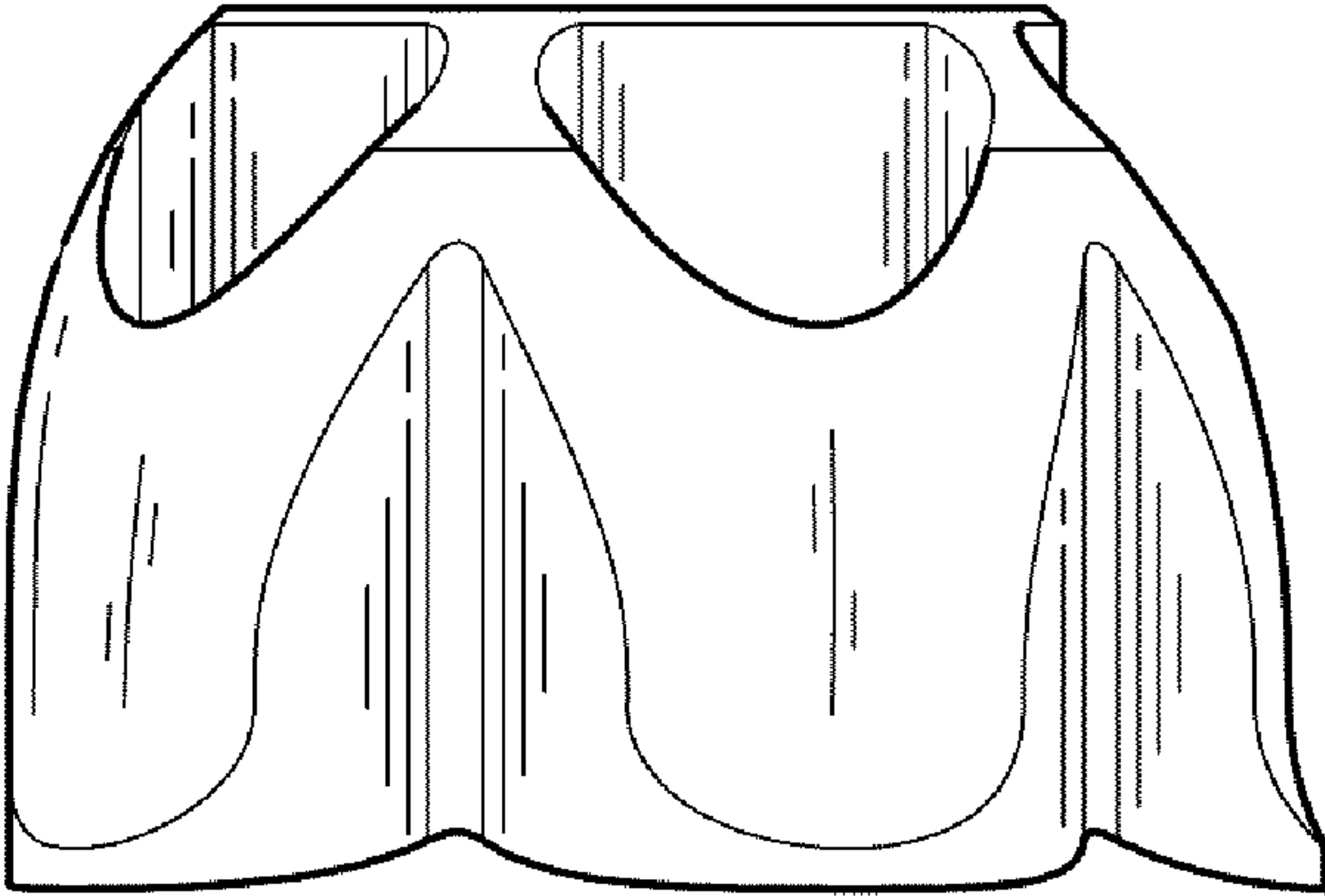


FIG. 6

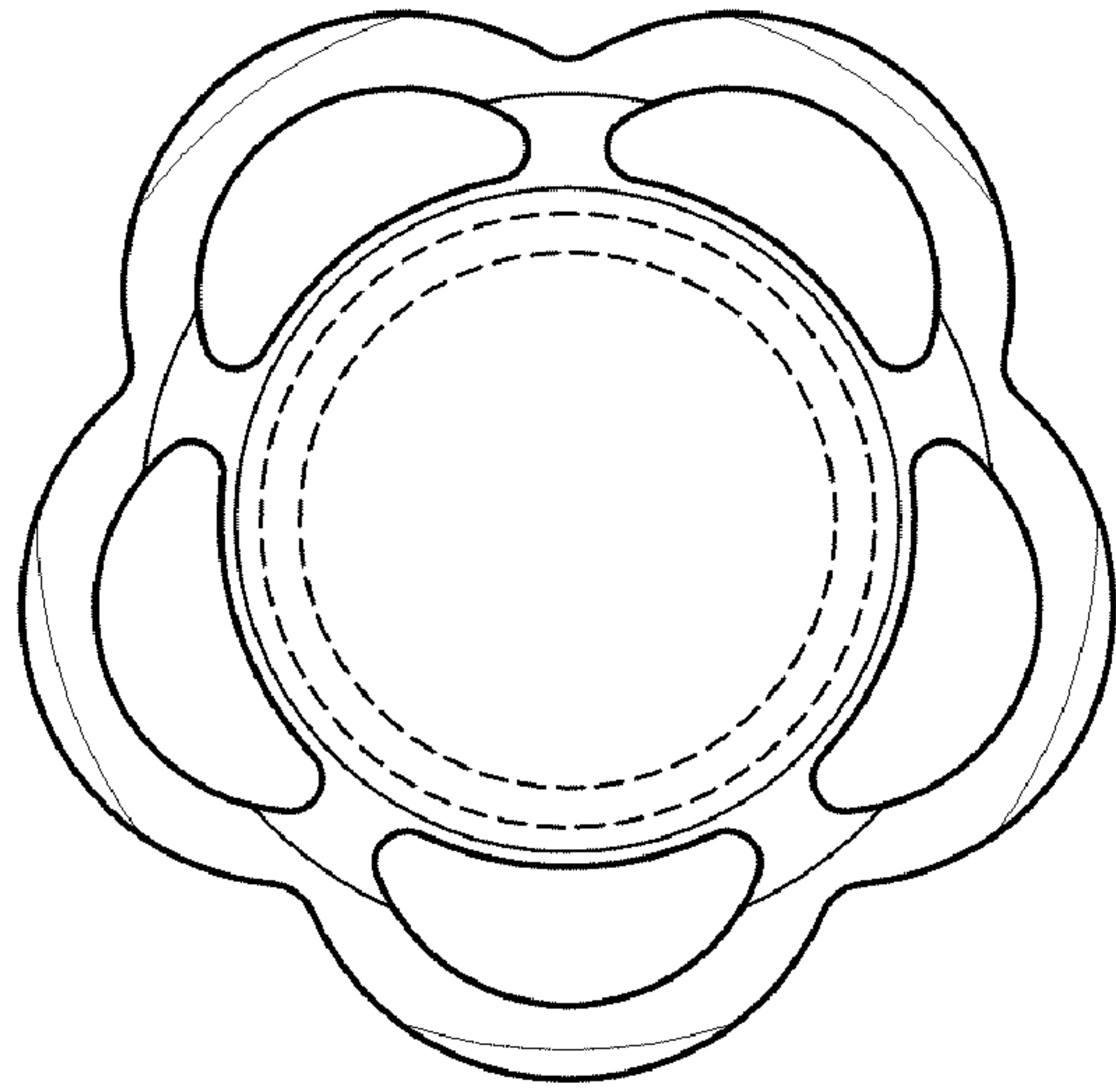


FIG.7

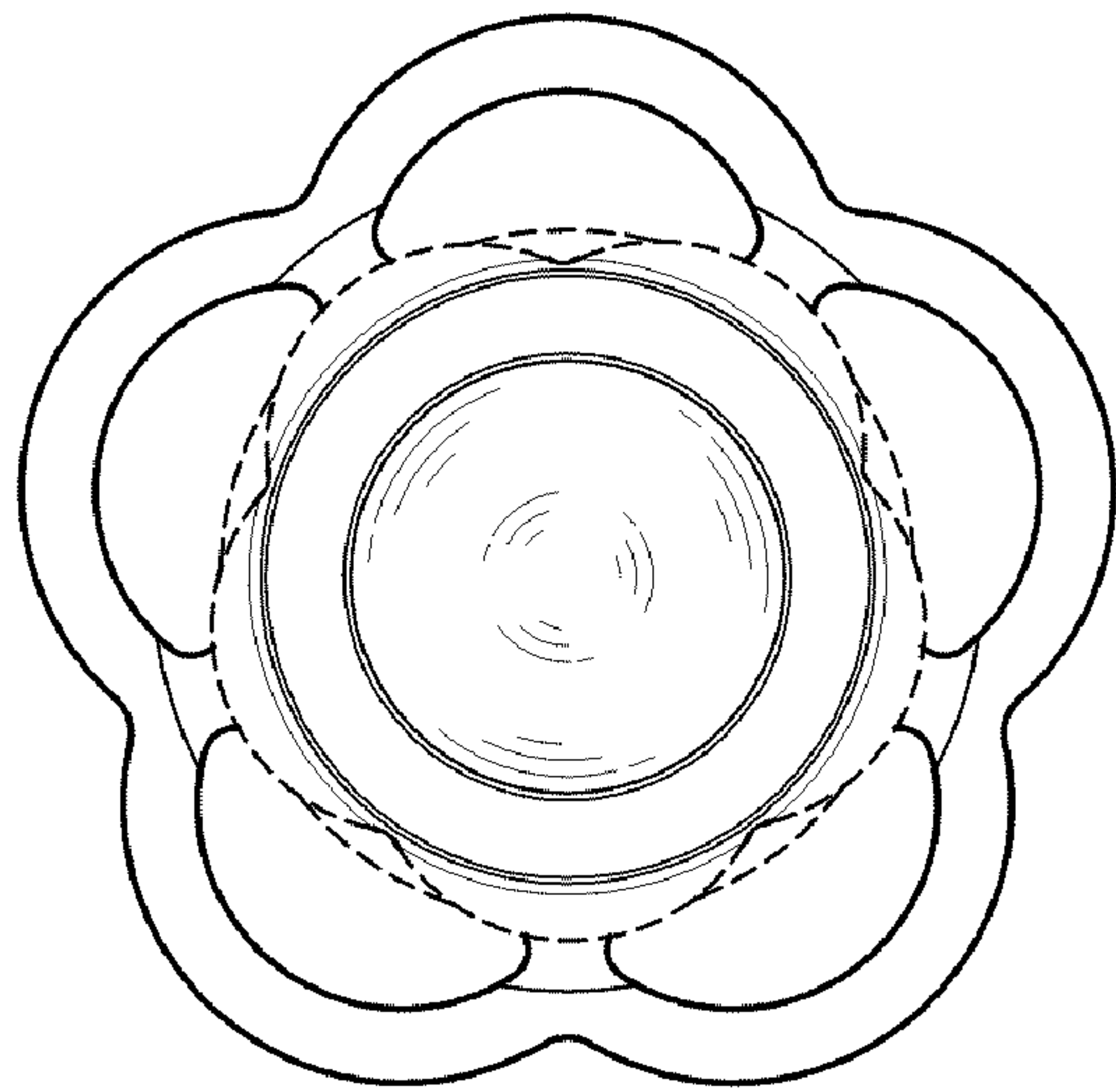


FIG.8



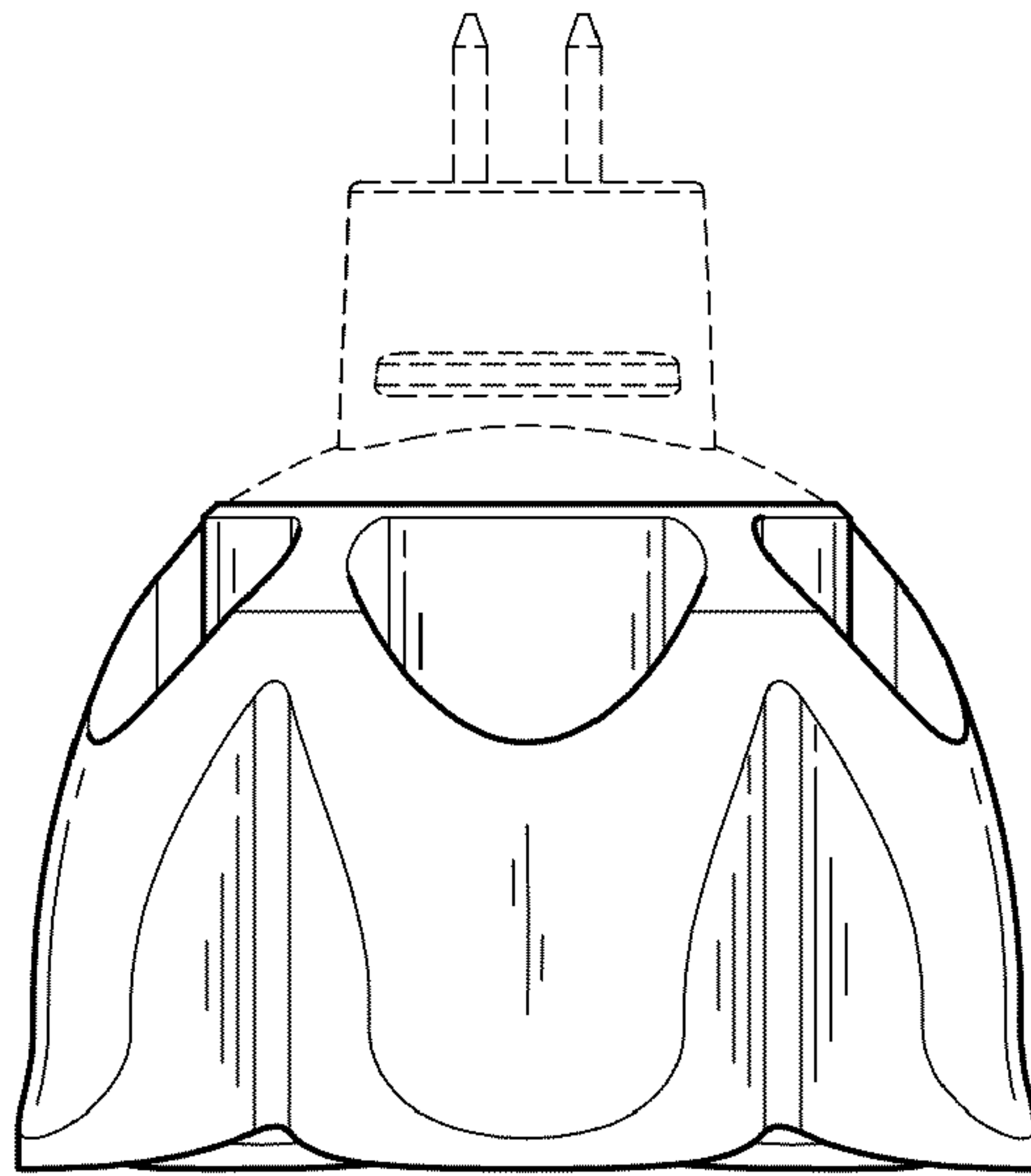


FIG. 9

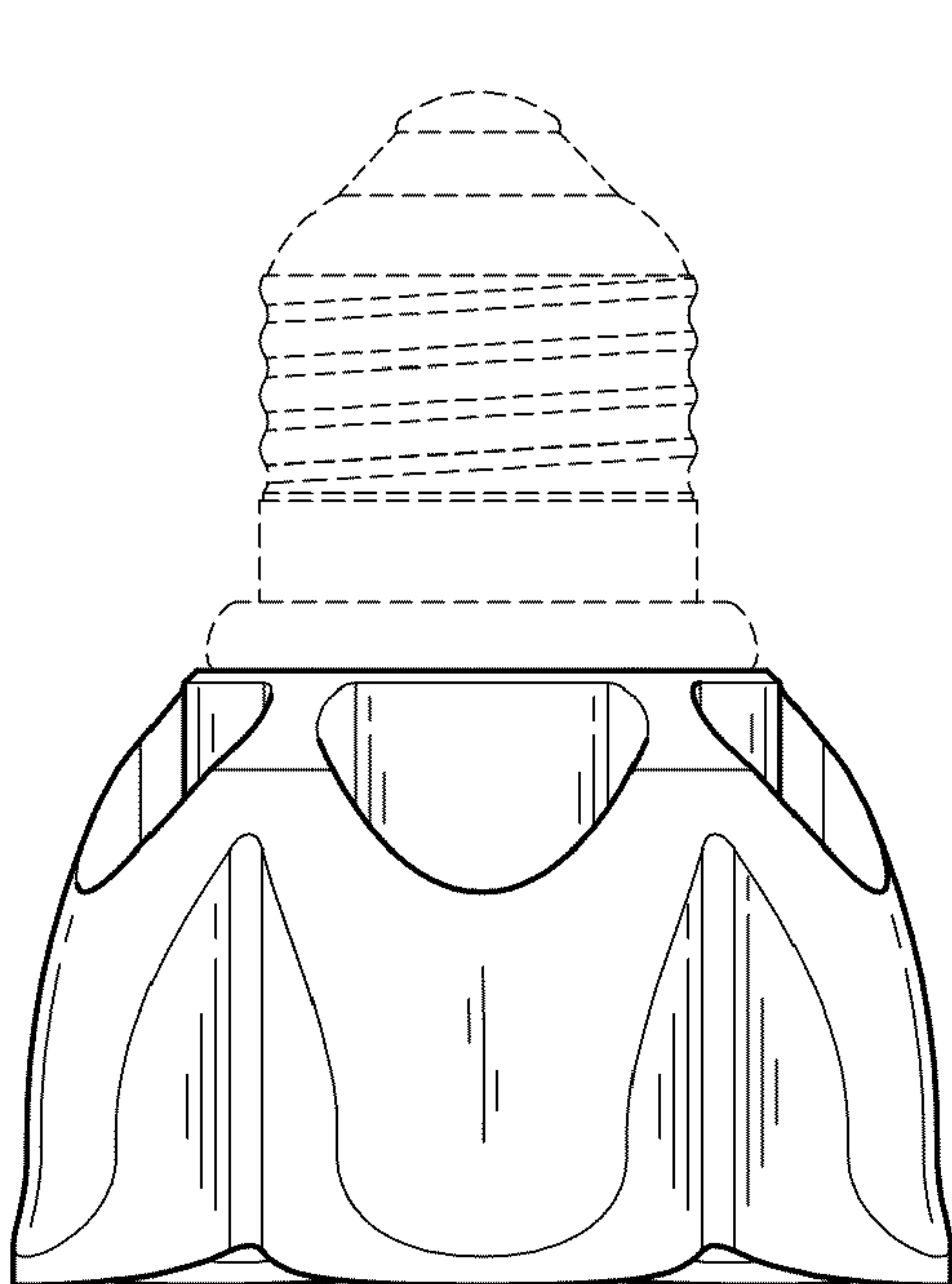


FIG. 10

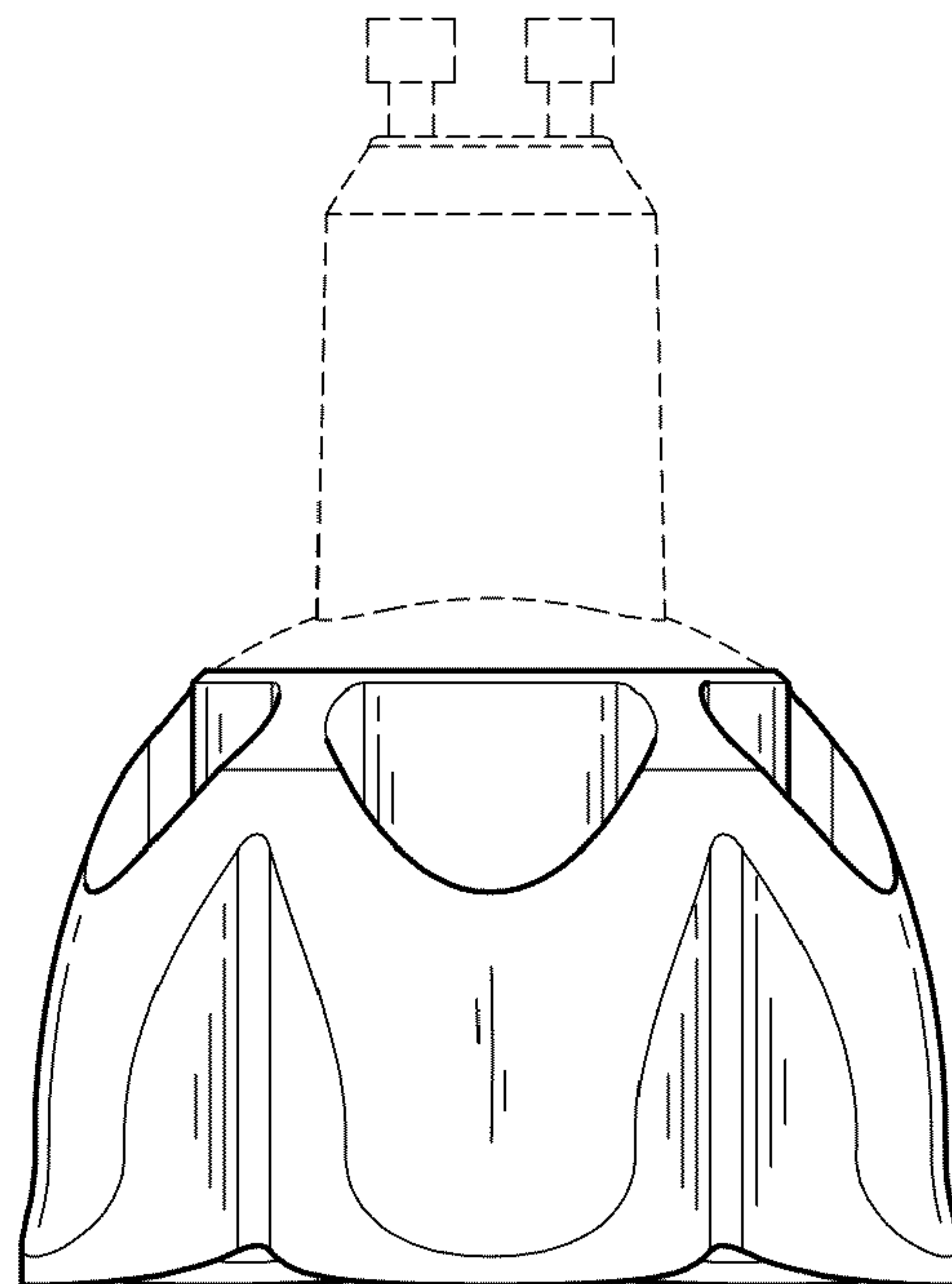


FIG. 11