



US00D650513S

(12) **United States Design Patent**
Blincoe et al.

(10) **Patent No.:** **US D650,513 S**

(45) **Date of Patent:** **** Dec. 13, 2011**

(54) **LIGHTING FIXTURE**

(75) Inventors: **Patrick Stephen Blincoe**, Kirkville, NY (US); **Kantesh Vittal Agnihotri**, Syracuse, NY (US)

(73) Assignee: **Cooper Technologies Company**, Houston, TX (US)

(**) Term: **14 Years**

(21) Appl. No.: **29/386,547**

(22) Filed: **Mar. 2, 2011**

(51) **LOC (9) Cl.** **26-99**

(52) **U.S. Cl.** **D26/118**

(58) **Field of Classification Search** D26/118, D26/120, 138, 76, 78, 86, 2, 72, 67, 89, 60, D26/74, 81, 85, 113, 119, 122, 128, 129, D26/140, 142, 145, 152, 132, 93, 94, 3, 154, D26/87, 42, 37; D34/29; 315/194, 51; 362/612, 362/307, 294, 545, 555, 146, 145, 396, 362, 362/260; 165/185, 121, 80.3; D12/162; D8/354, 355, 356, 363, 373, 349, 376; 16/340; D13/179, 180, 134; D25/163, 157, 158
See application file for complete search history.

(56) **References Cited**

U.S. PATENT DOCUMENTS

D573,288	S	*	7/2008	Xu et al.	D26/67
D582,579	S	*	12/2008	Tsai et al.	D26/2
7,458,706	B1	*	12/2008	Liu et al.	362/373
7,682,049	B2	*	3/2010	Zheng et al.	362/294
D623,338	S	*	9/2010	Mo	D26/72
D623,775	S	*	9/2010	Foo	D26/2
D623,777	S	*	9/2010	Moon et al.	D26/2
D624,686	S	*	9/2010	Toney et al.	D26/72
D625,038	S	*	10/2010	Yoo	D26/85
D627,911	S	*	11/2010	Mo et al.	D26/72
D627,912	S	*	11/2010	Mo	D26/72
2007/0253202	A1	*	11/2007	Wu et al.	362/294
2009/0237934	A1	*	9/2009	Zeng et al.	362/249.03

* cited by examiner

Primary Examiner — Kevin Rudzinski

(74) *Attorney, Agent, or Firm* — King & Spalding LLP

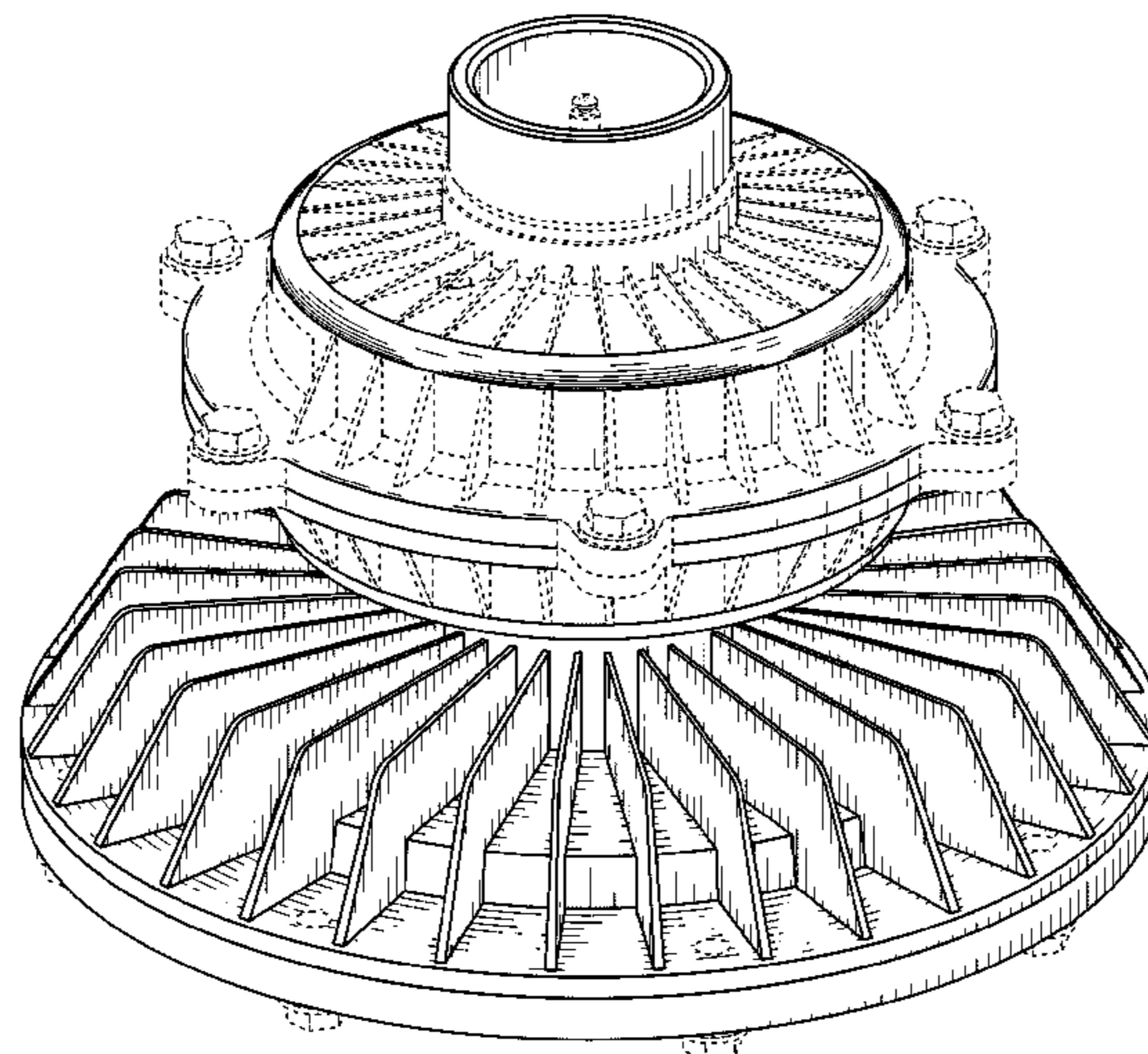
(57) **CLAIM**

The ornamental design for a lighting fixture, as shown and described.

DESCRIPTION

FIG. 1 is a perspective view of a first embodiment of a lighting fixture in accordance with our design;
 FIG. 2 is a top plan view of the first embodiment;
 FIG. 3 is a bottom plan view of the first embodiment;
 FIG. 4 is a right side view of the first embodiment;
 FIG. 5 is a front side view of the first embodiment;
 FIG. 6 is a left side view of the first embodiment;
 FIG. 7 is a back side view of the first embodiment; and
 FIG. 8 is a cross-sectional side view of the first embodiment.
 FIG. 9 is a perspective view of a second embodiment of a lighting fixture in accordance with our design;
 FIG. 10 is a top plan view of the second embodiment;
 FIG. 11 is a bottom plan view of the second embodiment;
 FIG. 12 is a right side view of the second embodiment;
 FIG. 13 is front side view of the second embodiment;
 FIG. 14 is a left side view of the second embodiment;
 FIG. 15 is a back side view of the second embodiment; and
 FIG. 16 is a cross-sectional side view of the second embodiment.
 FIG. 17 is a perspective view of a third embodiment of a lighting fixture in accordance with our design;
 FIG. 18 is a top plan view of the third embodiment;
 FIG. 19 is a bottom plan view of the third embodiment;
 FIG. 20 is a right side view of the third embodiment;
 FIG. 21 is front side view of the third embodiment;
 FIG. 22 is a left side view of the third embodiment;
 FIG. 23 is a back side view of the third embodiment; and,
 FIG. 24 is a cross-sectional side view of the third embodiment.
 The broken lines shown in the drawings illustrate unclaimed environmental structure and form no part of the claimed design.

1 Claim, 15 Drawing Sheets



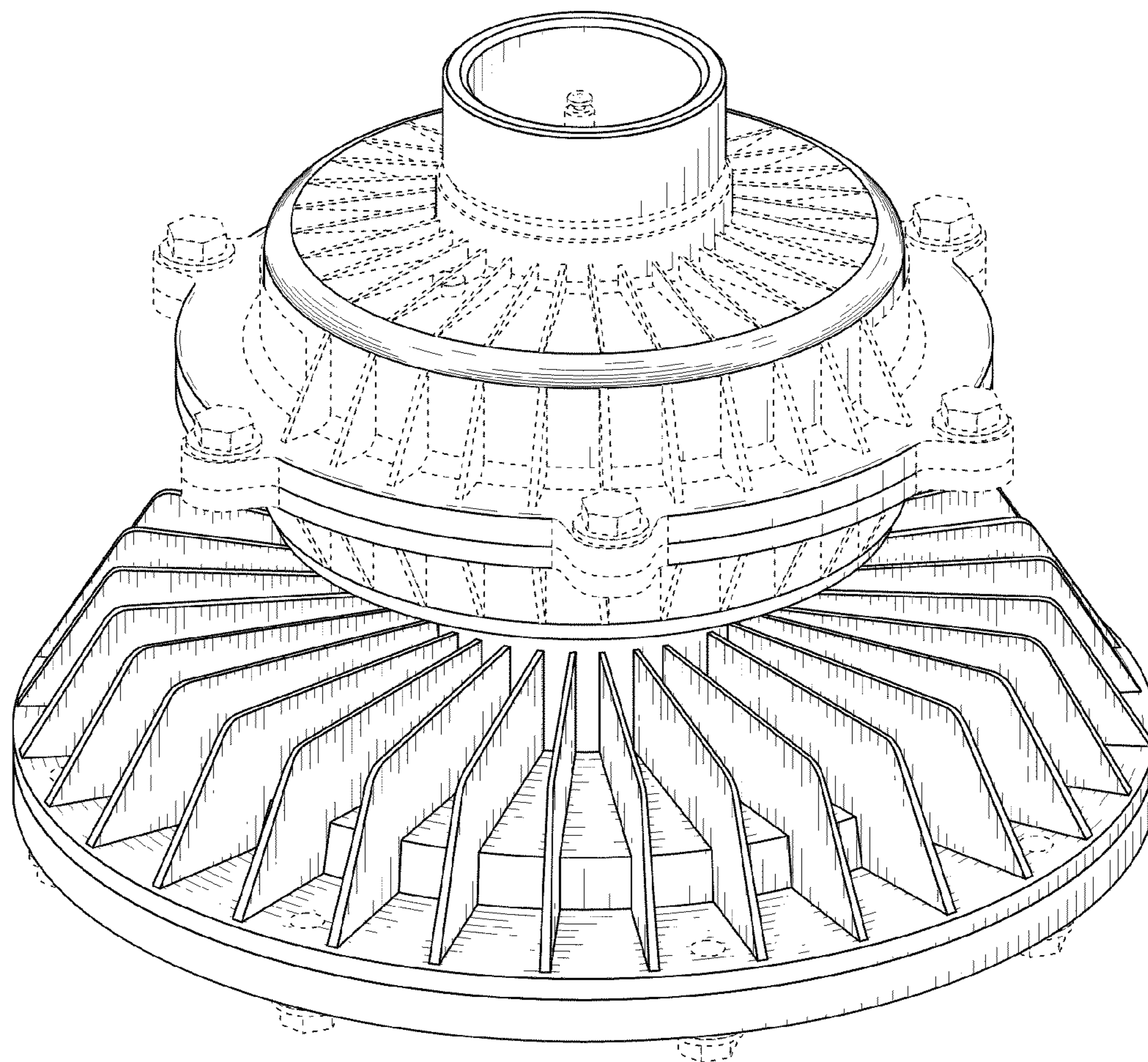


FIG. 1

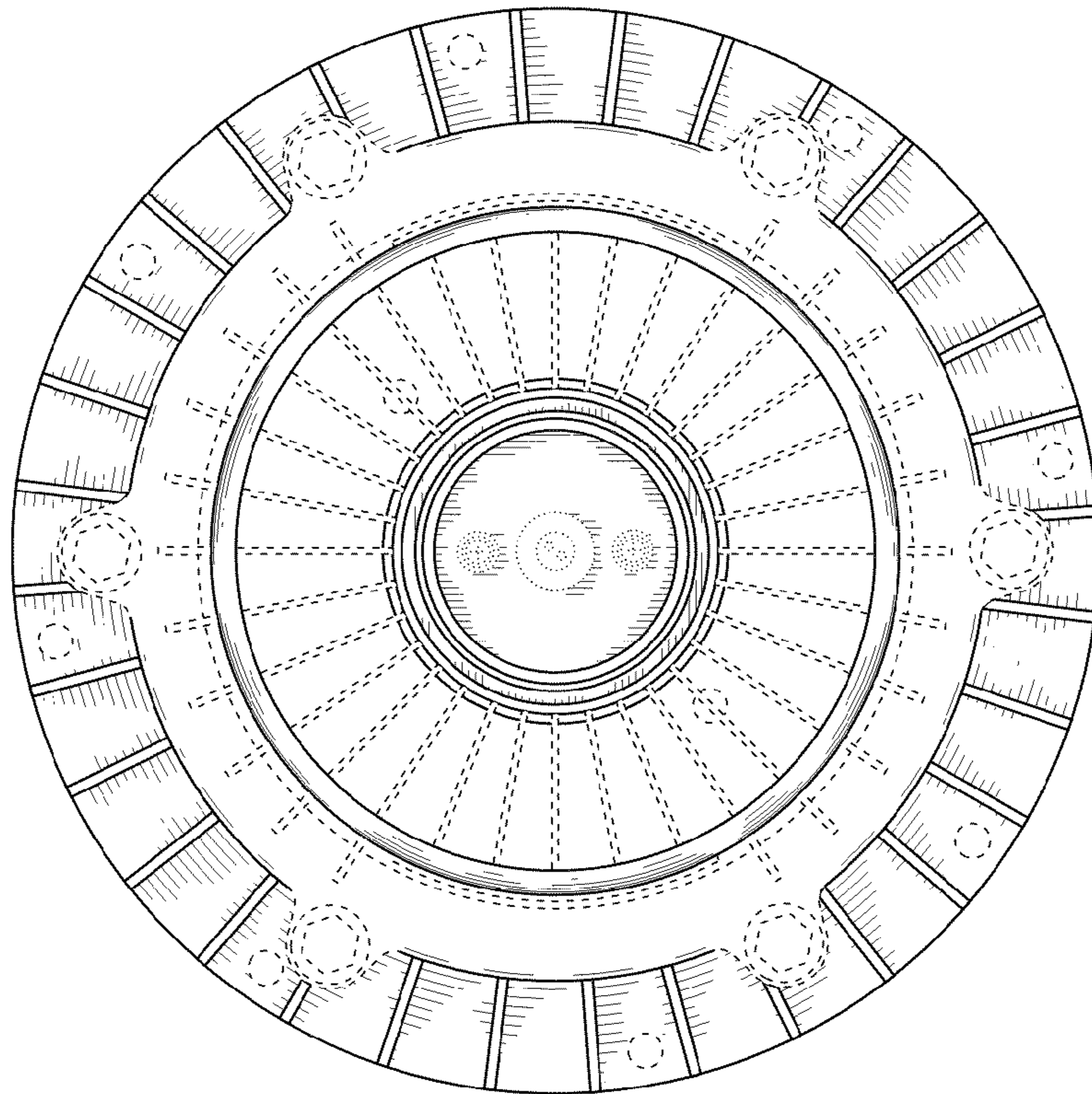


FIG. 2

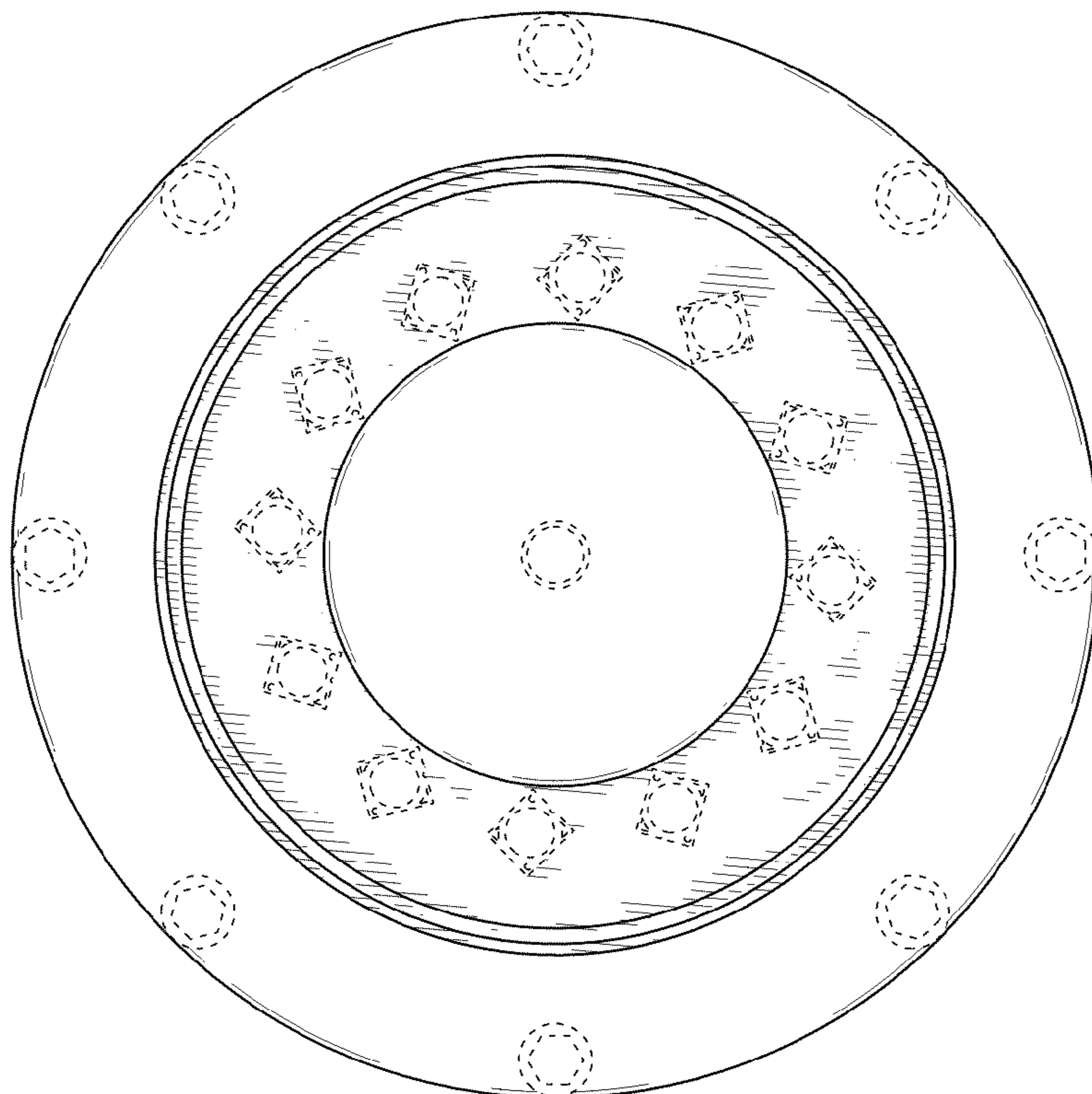


FIG. 3

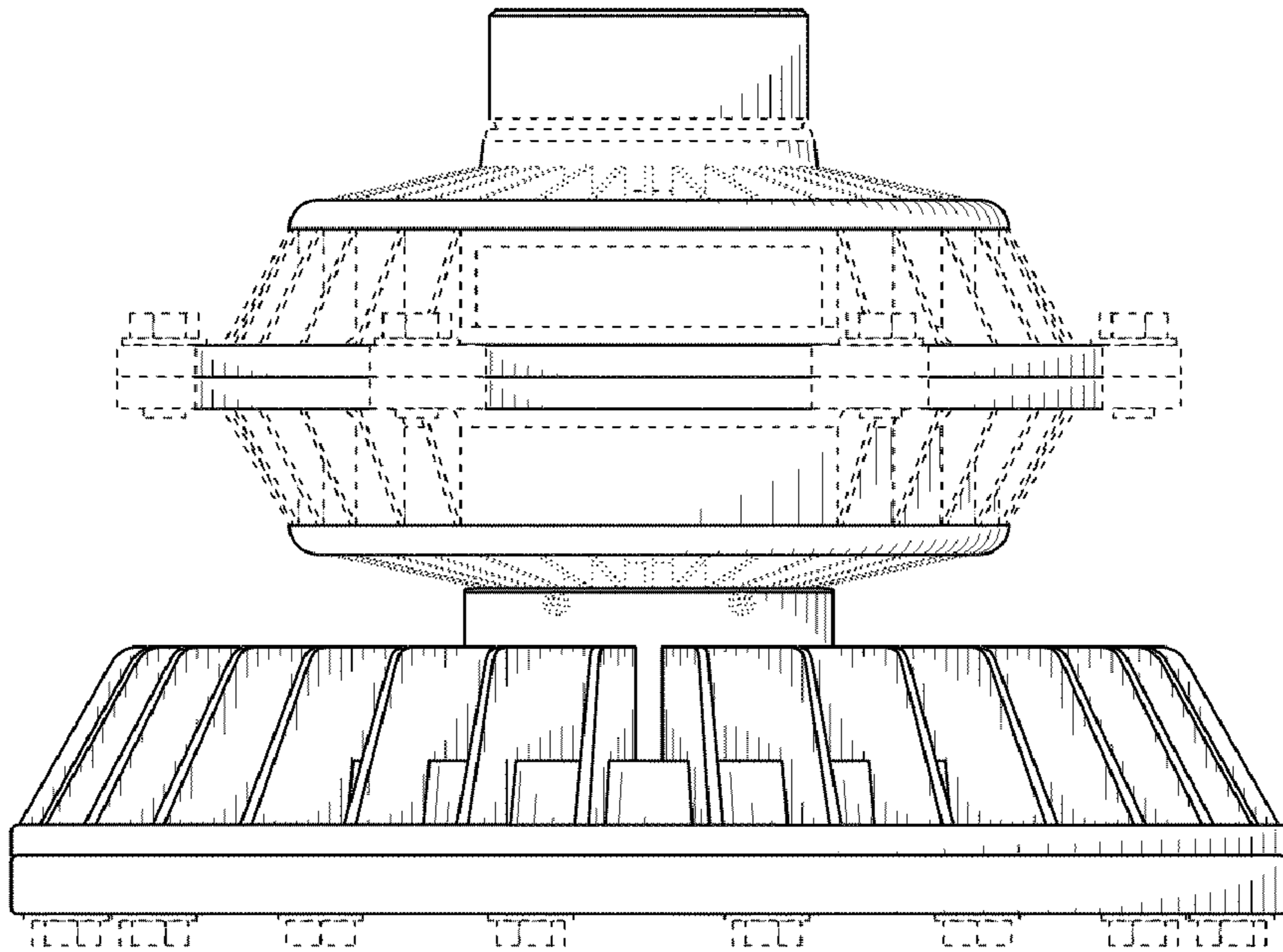


FIG. 4

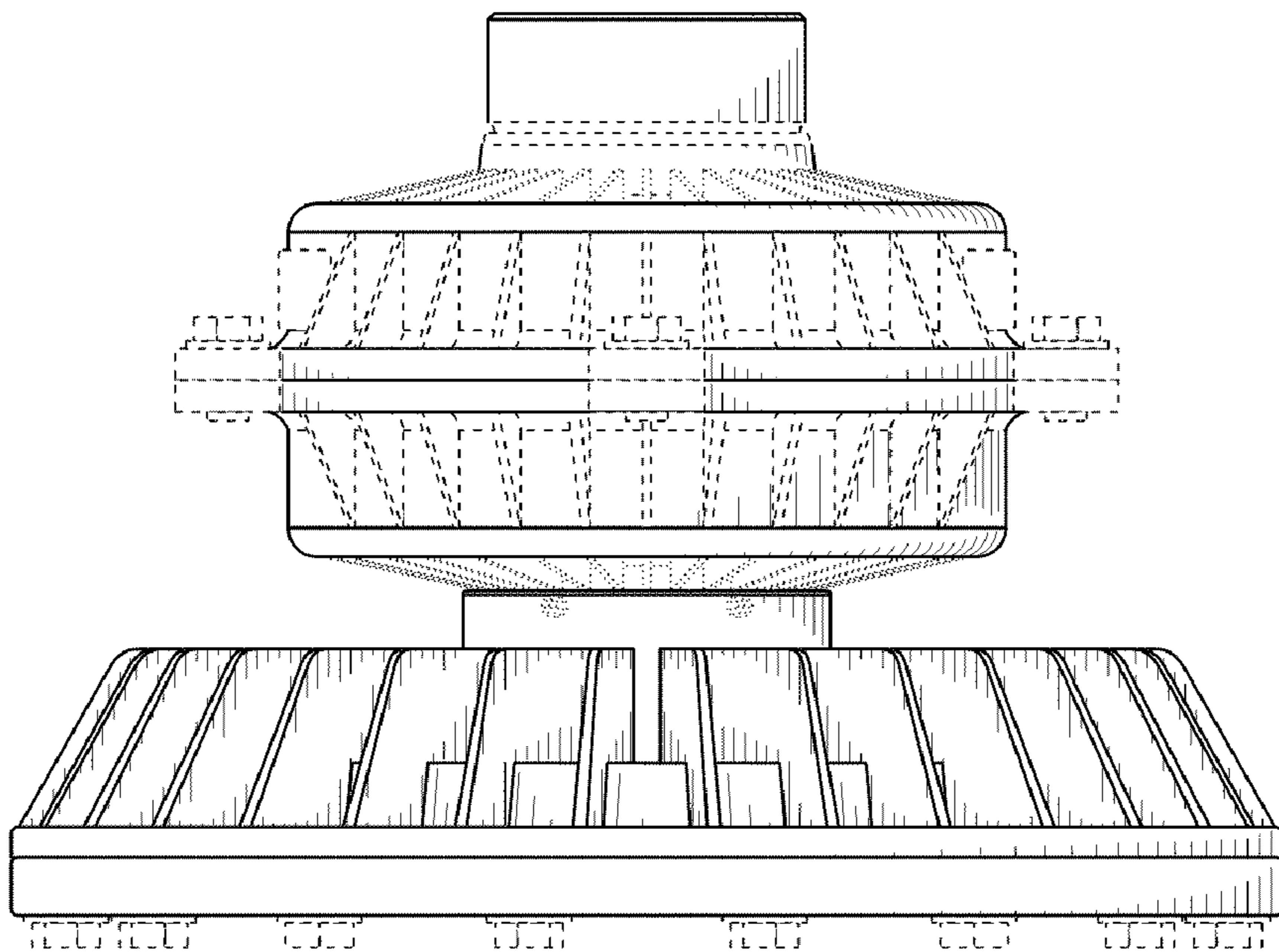


FIG. 5

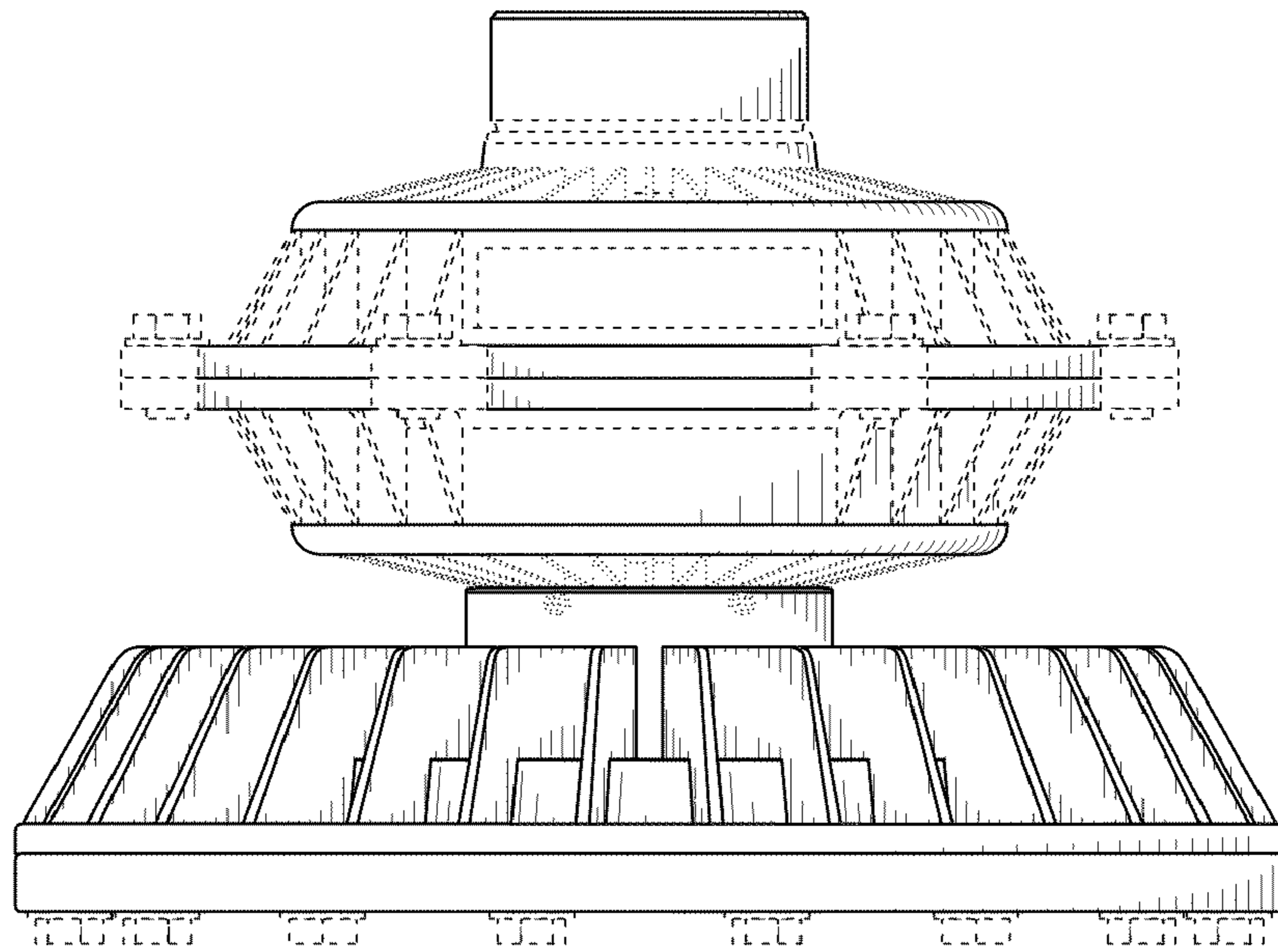


FIG. 6

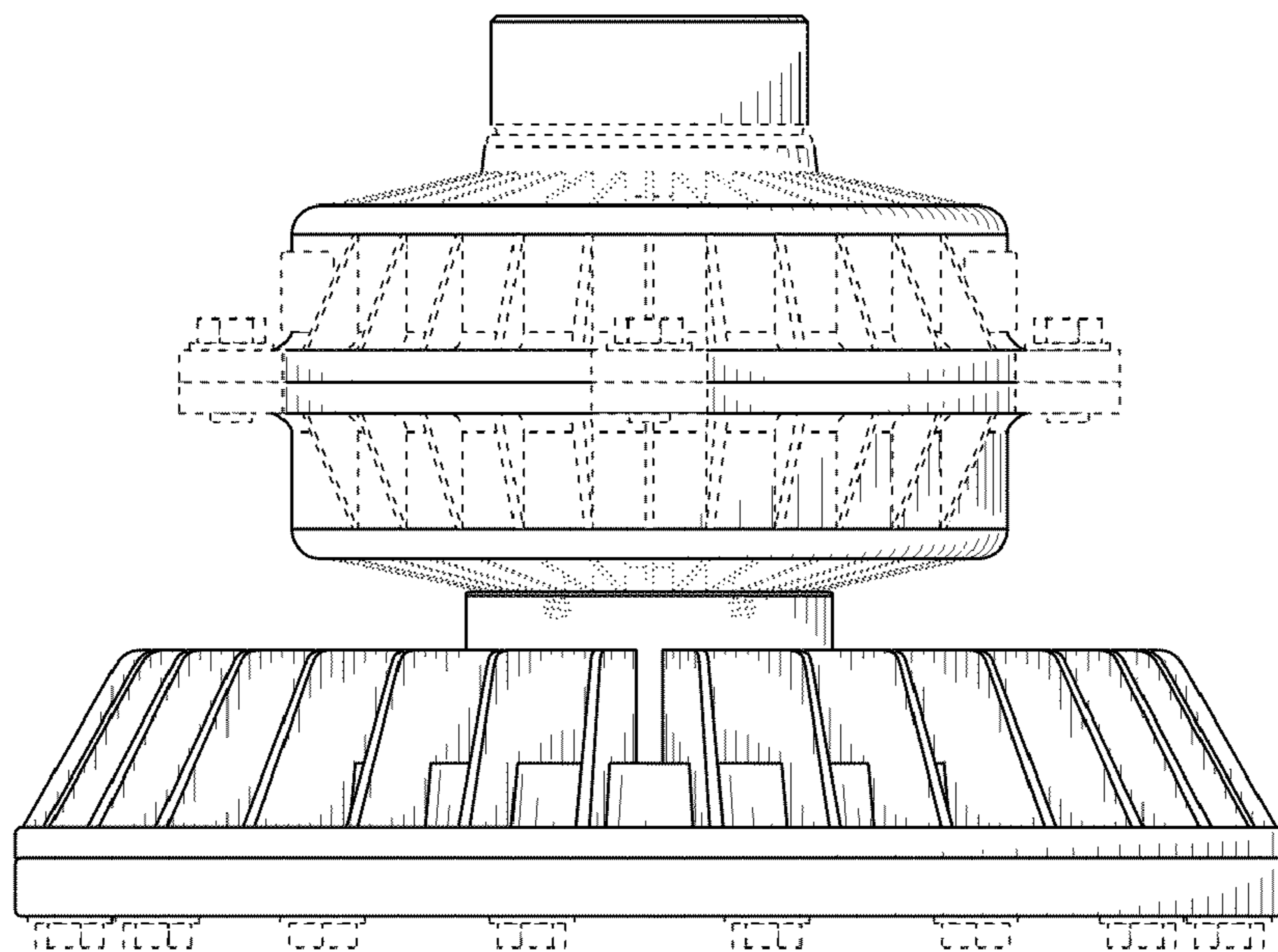


FIG. 7

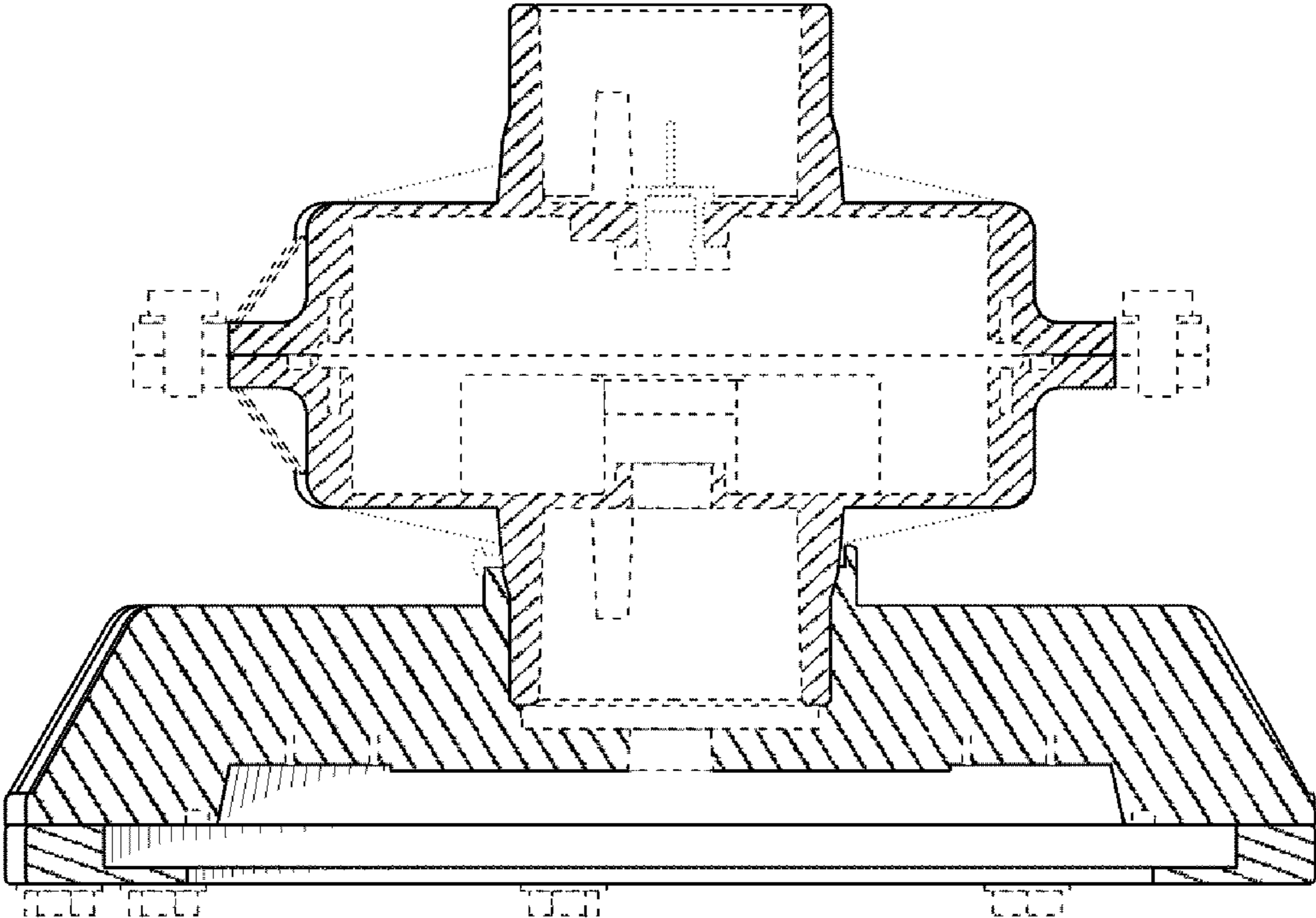


FIG. 8

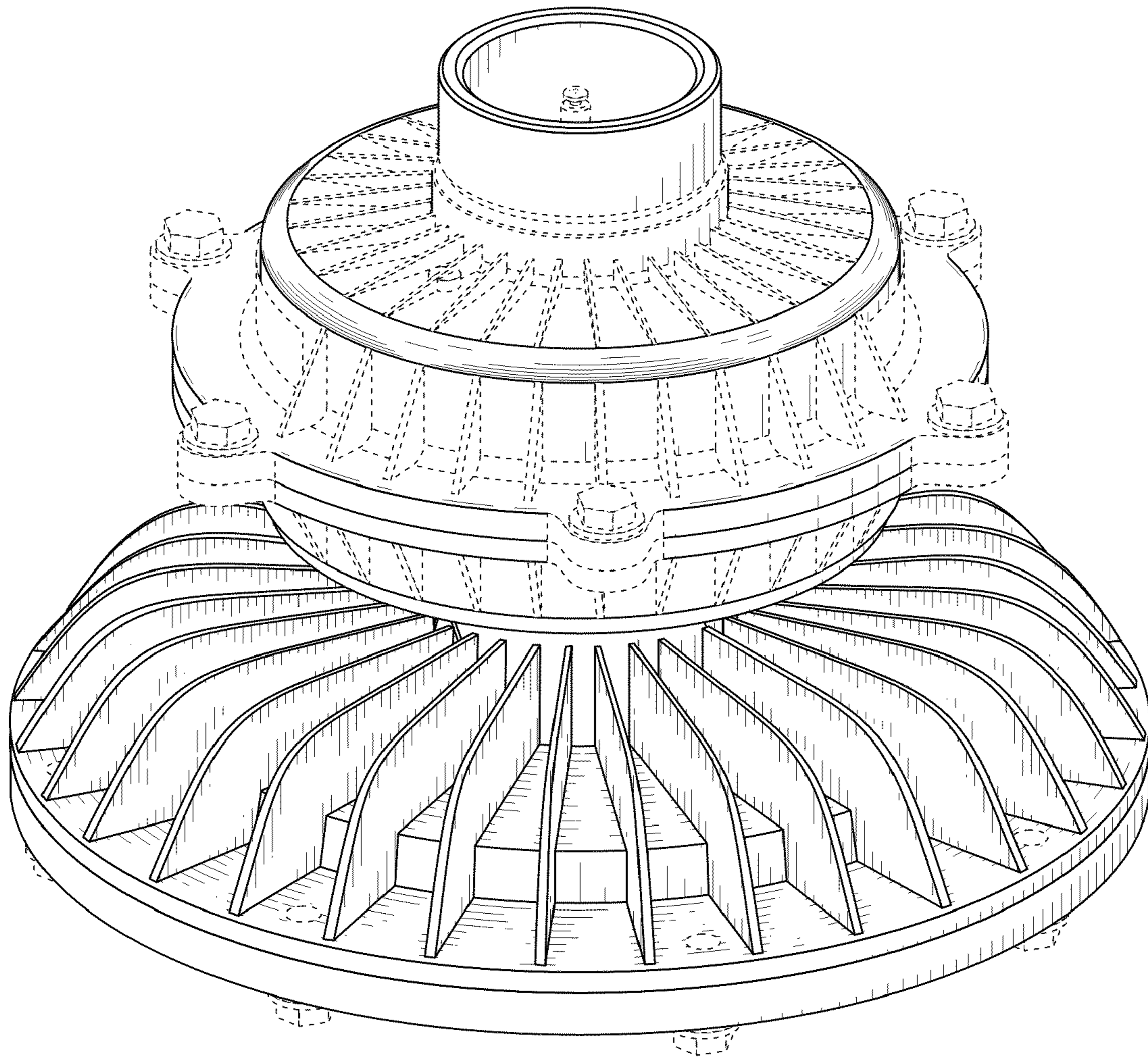


FIG. 9

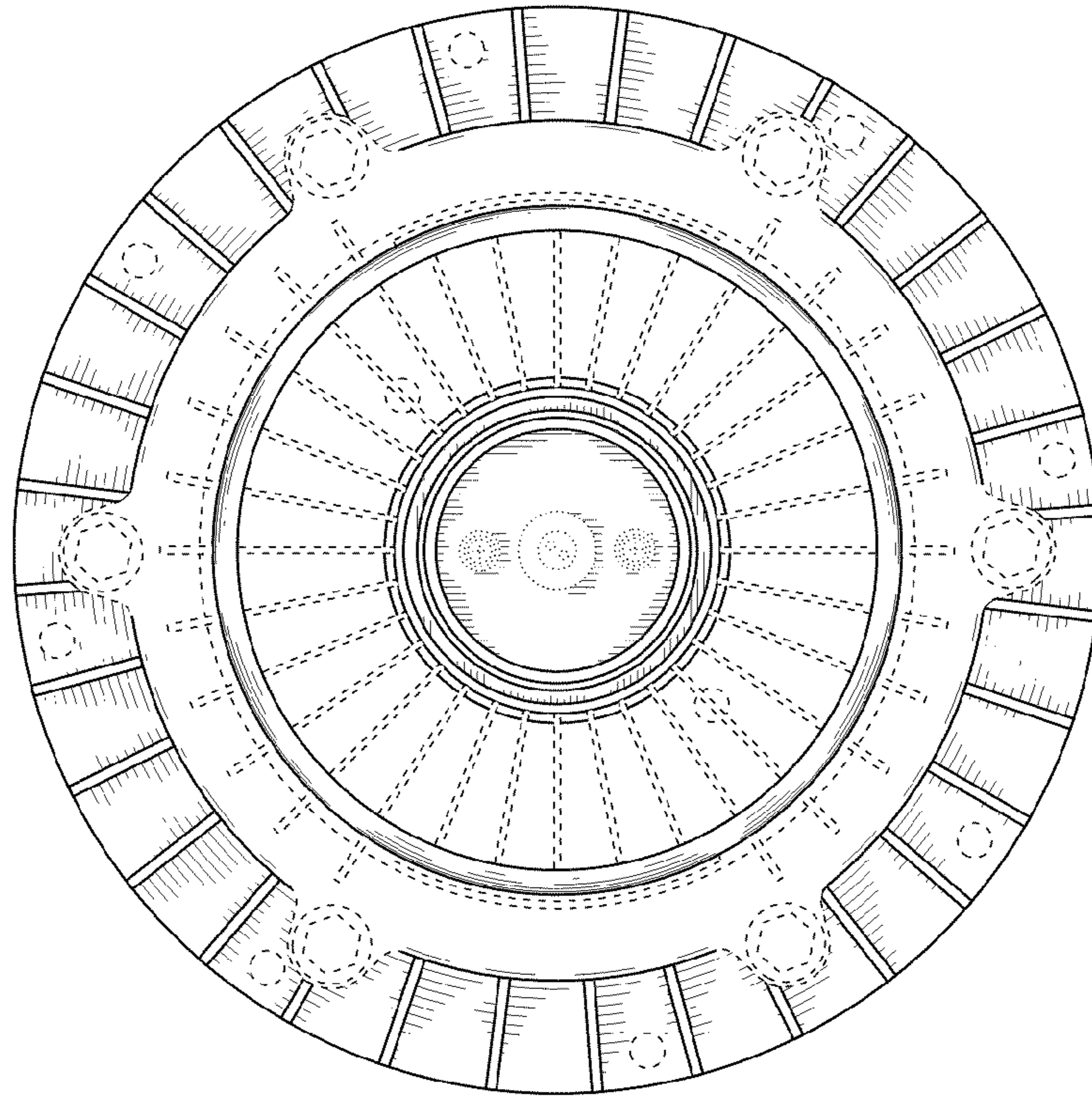


FIG. 10

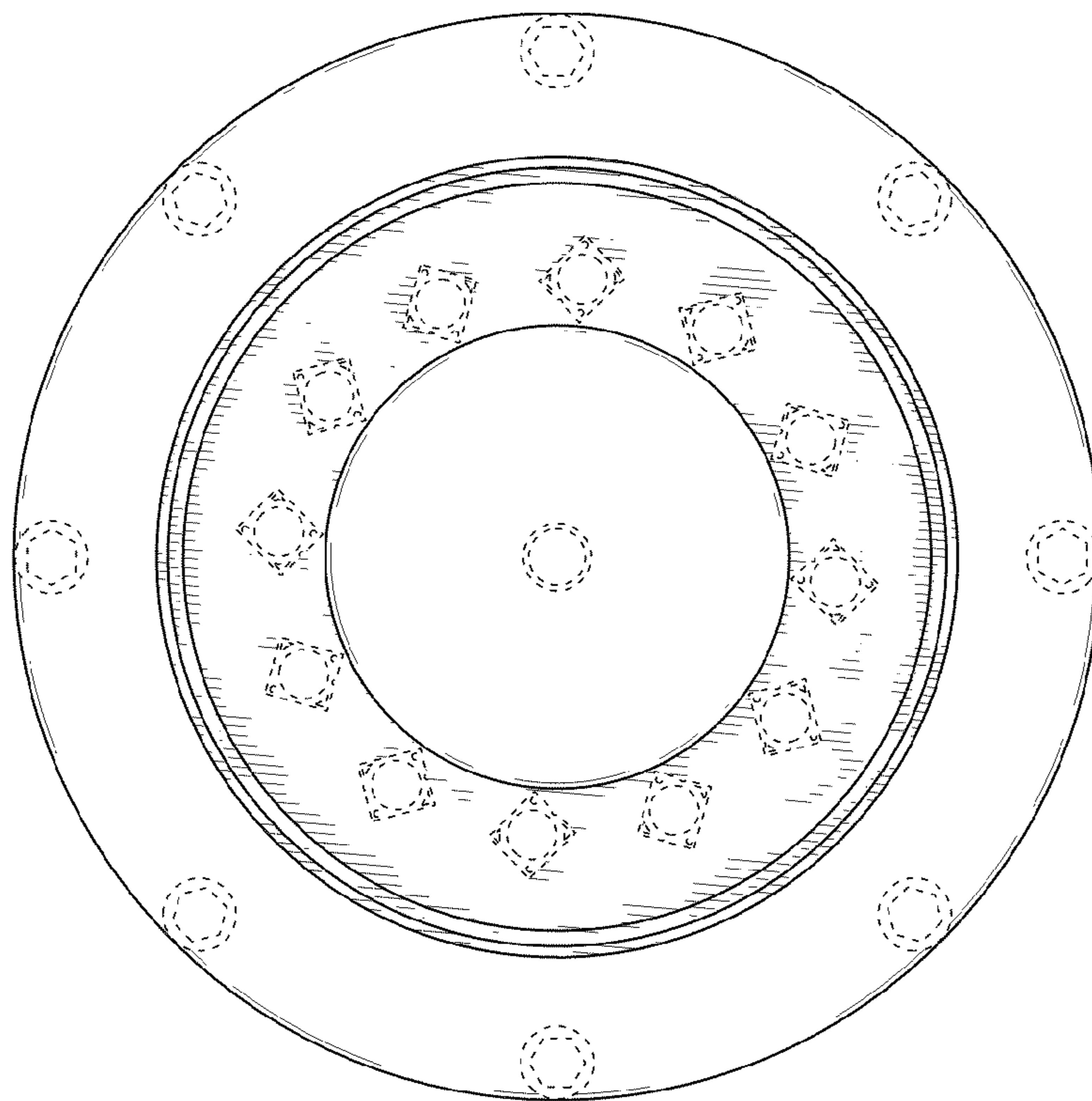


FIG. 11

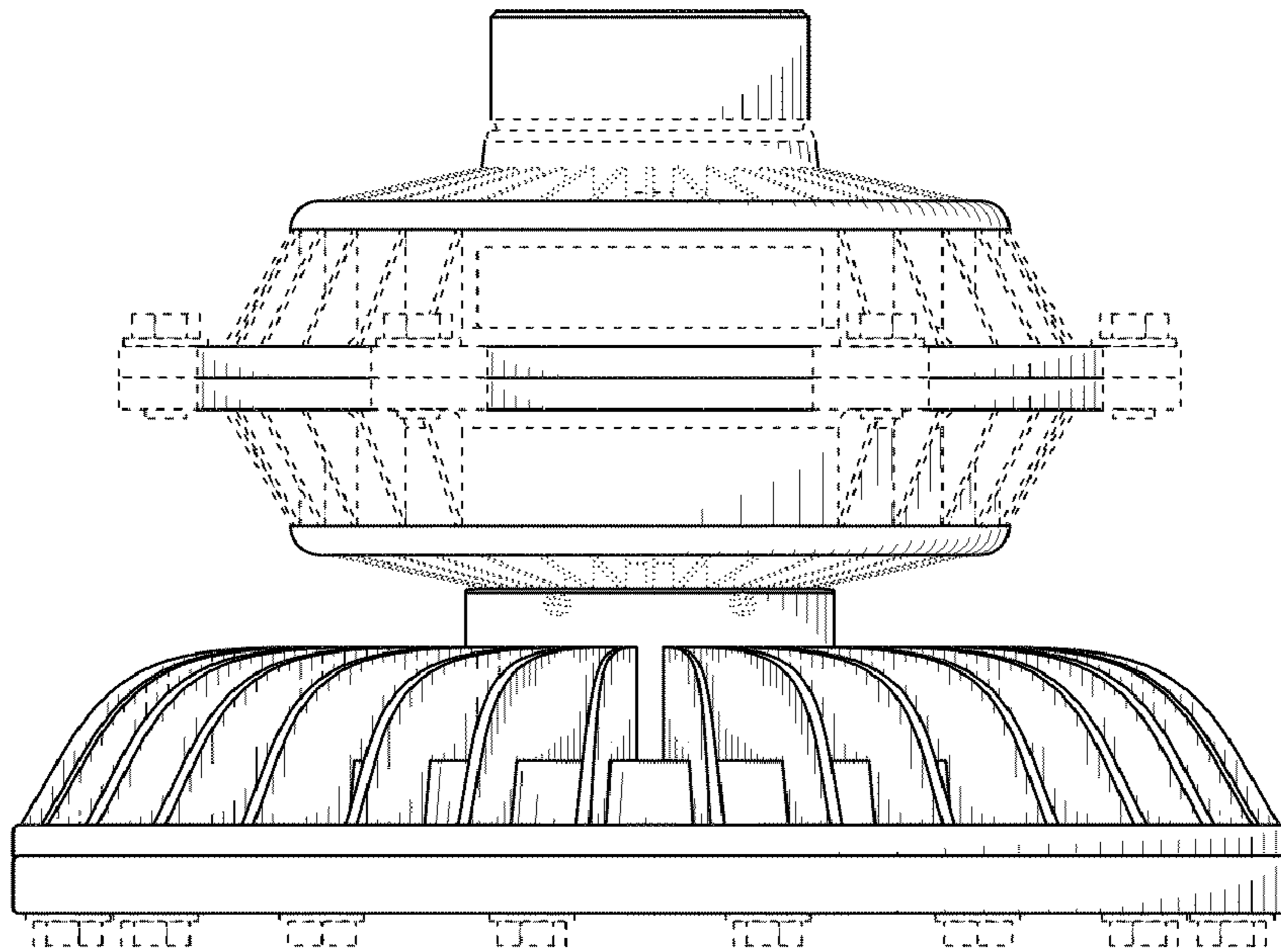


FIG. 12

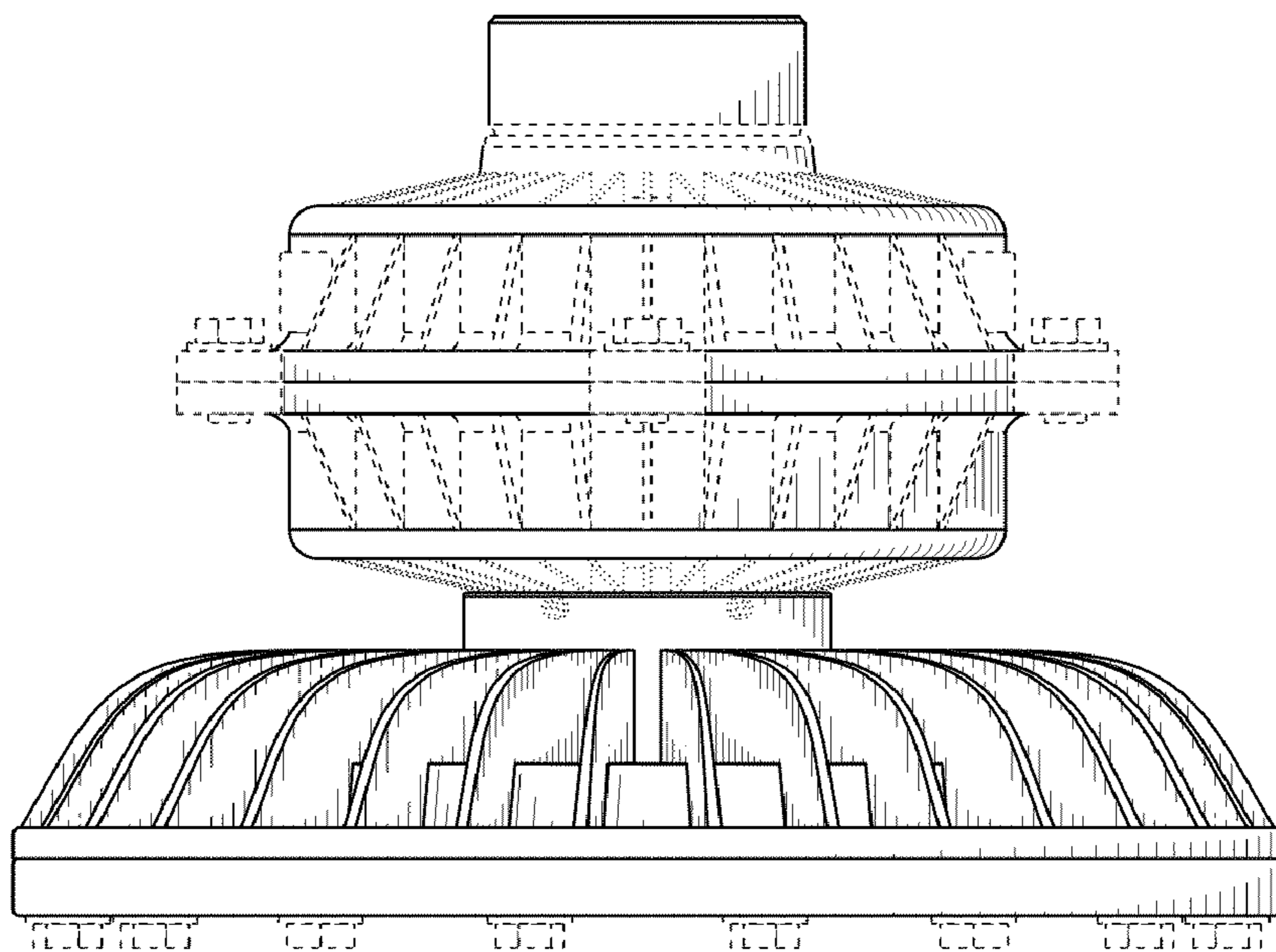


FIG. 13

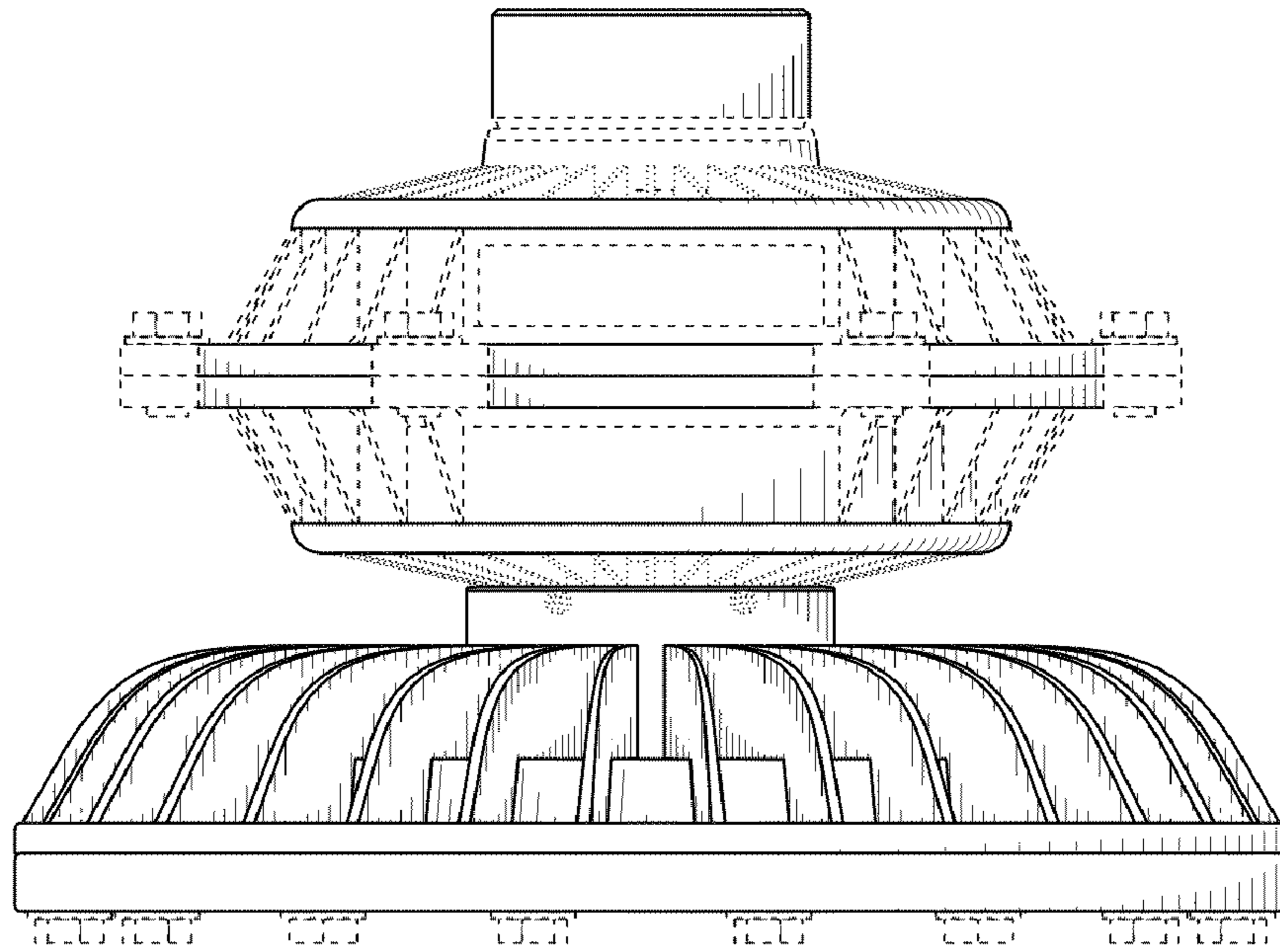


FIG. 14

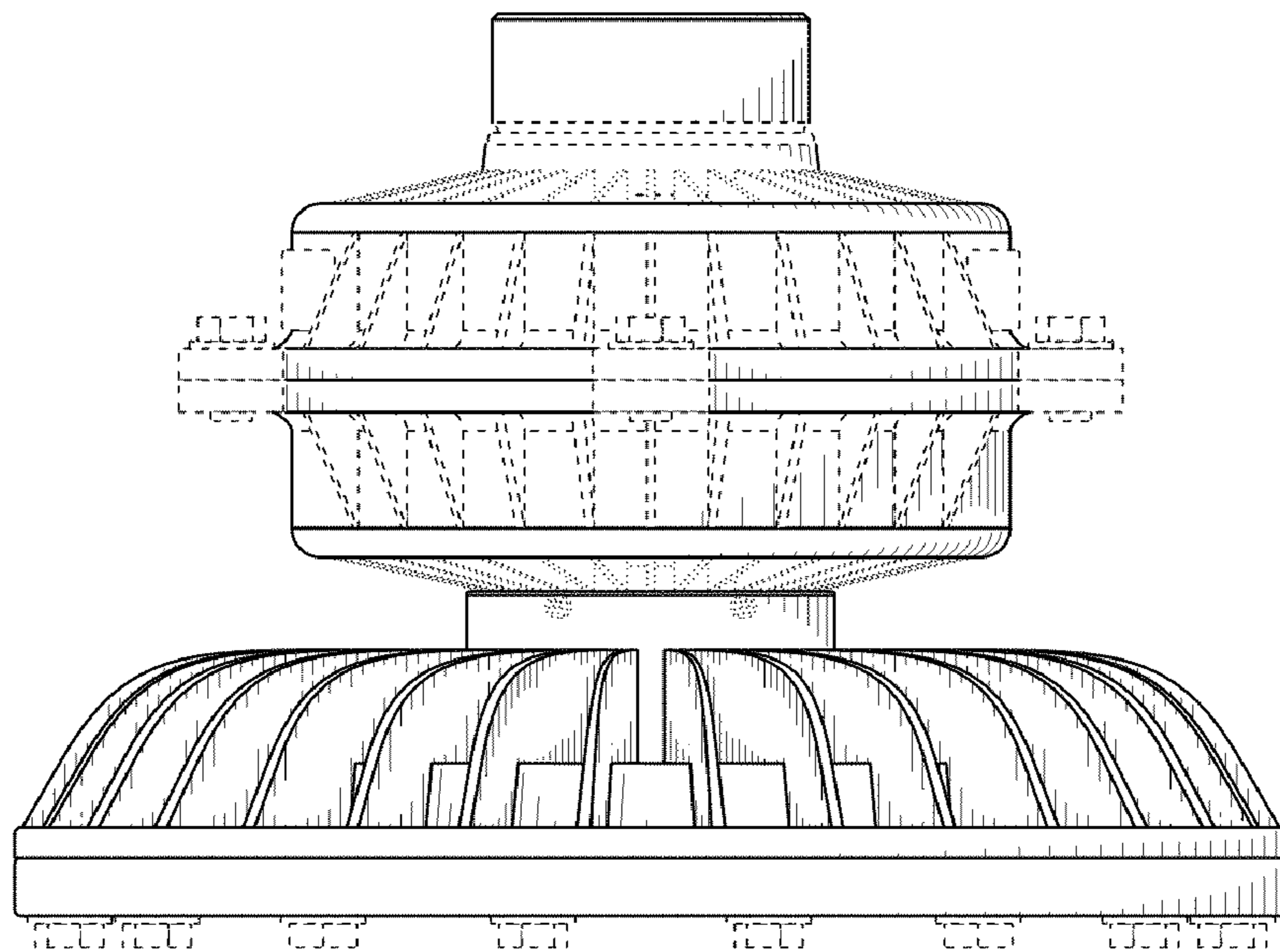


FIG. 15

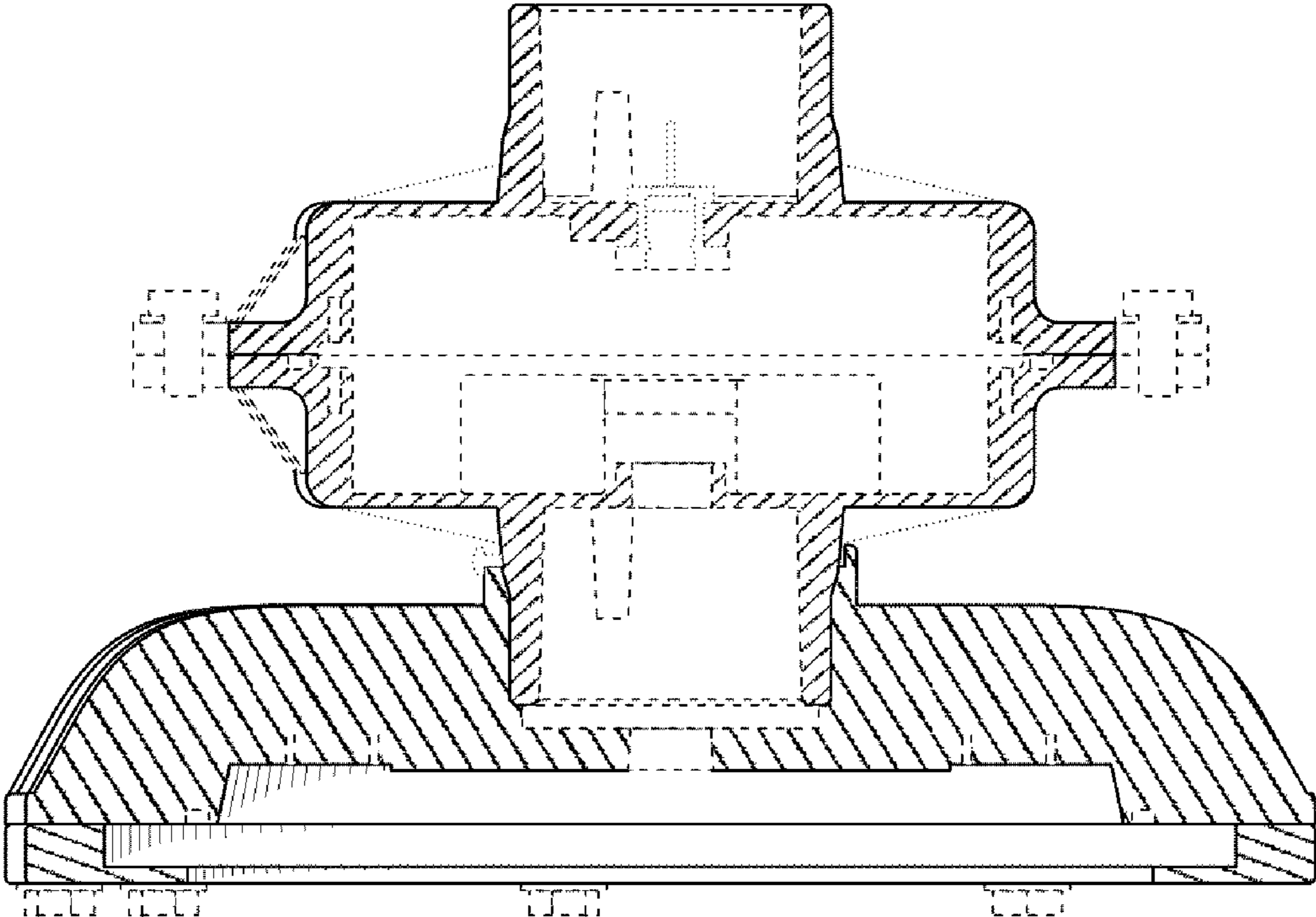


FIG. 16

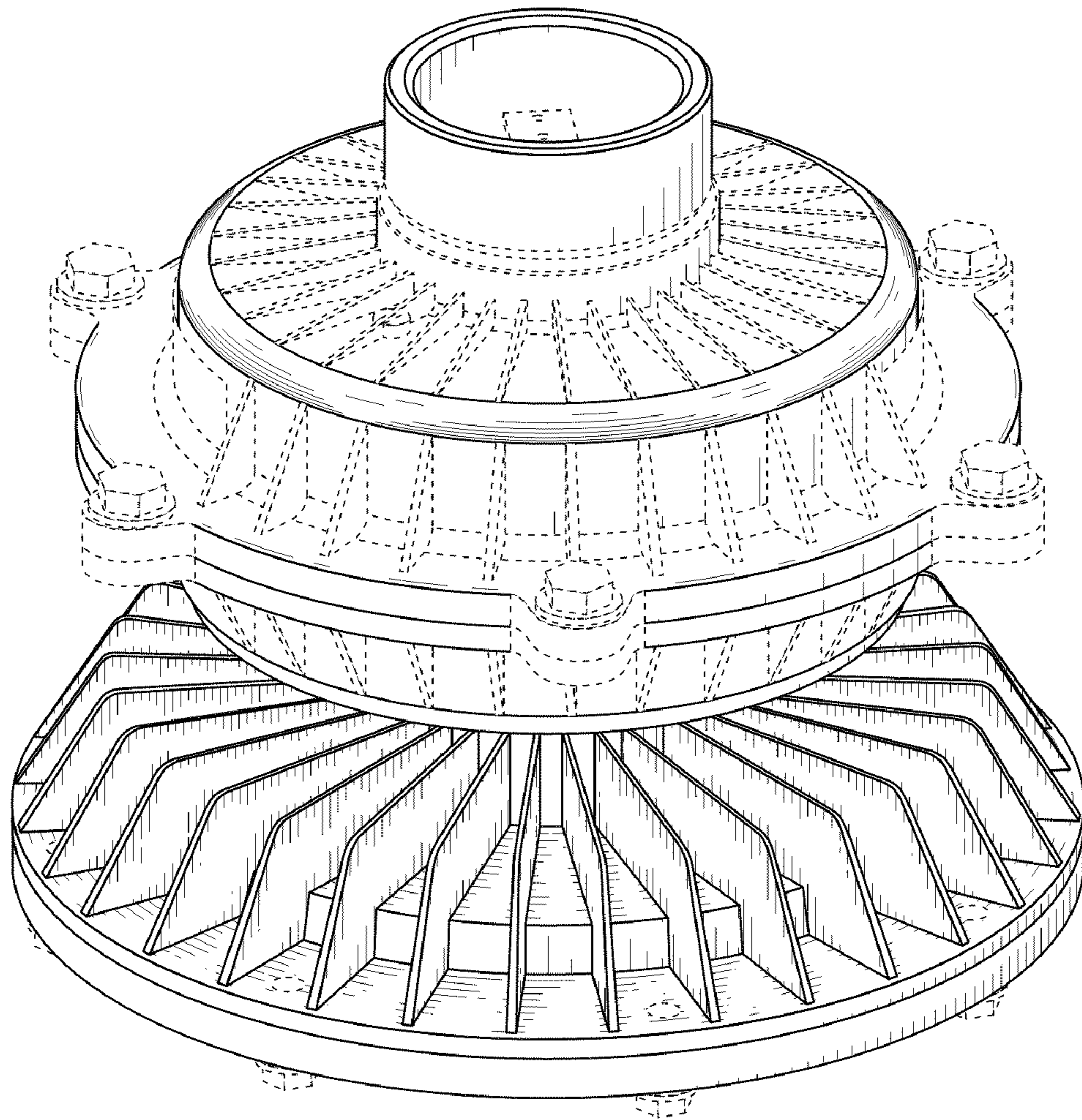


FIG. 17

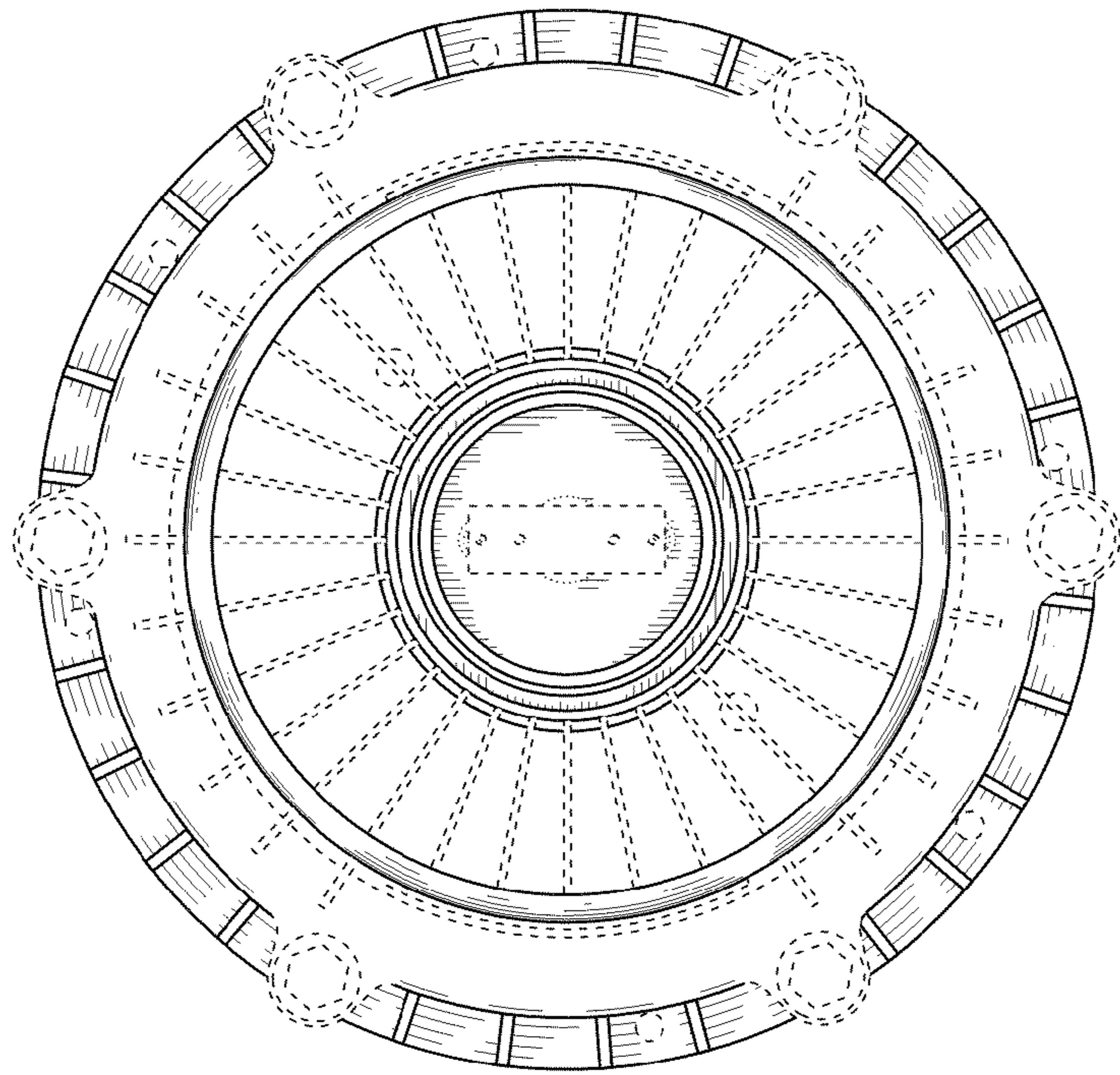


FIG. 18

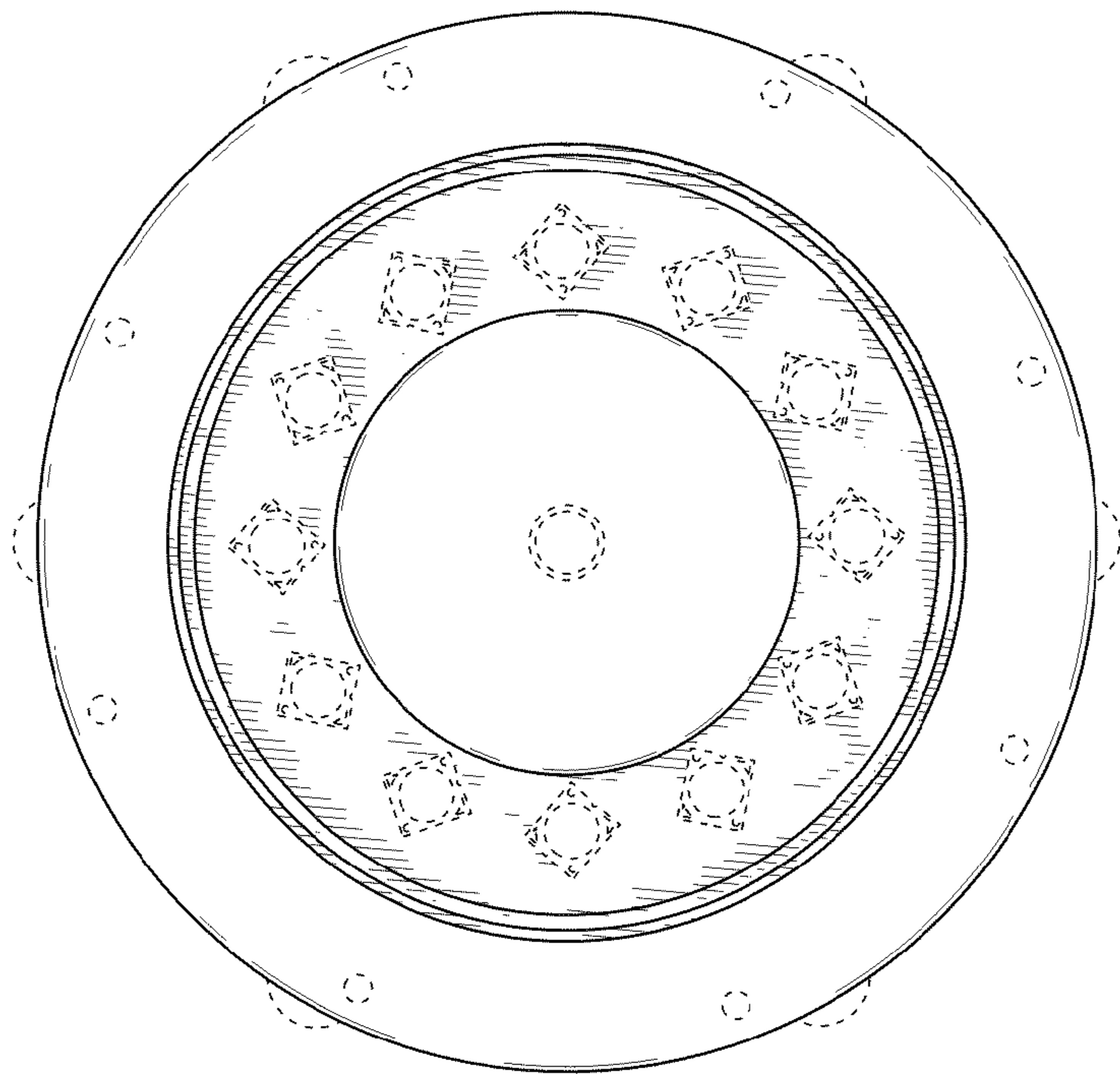


FIG. 19

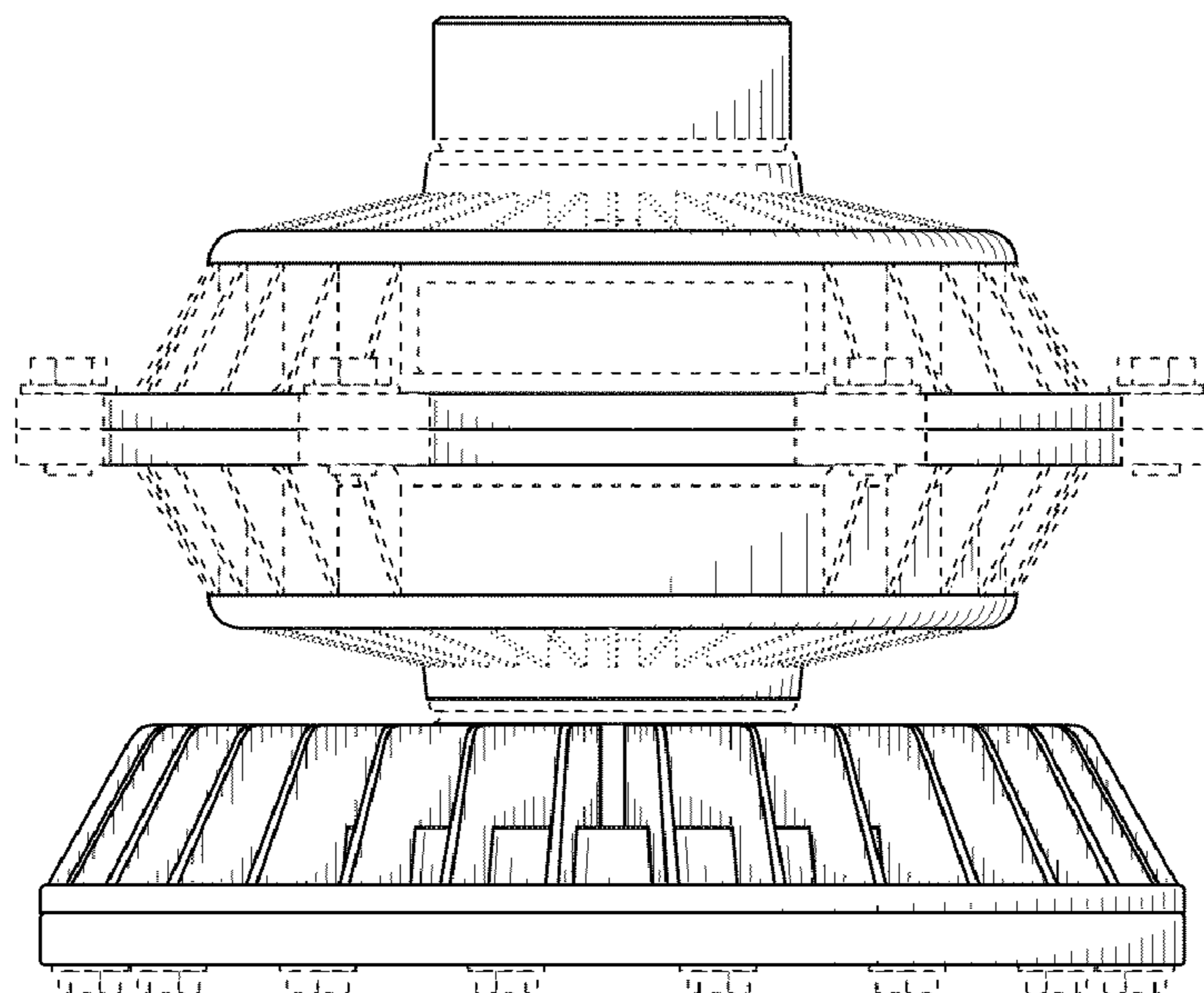


FIG. 20

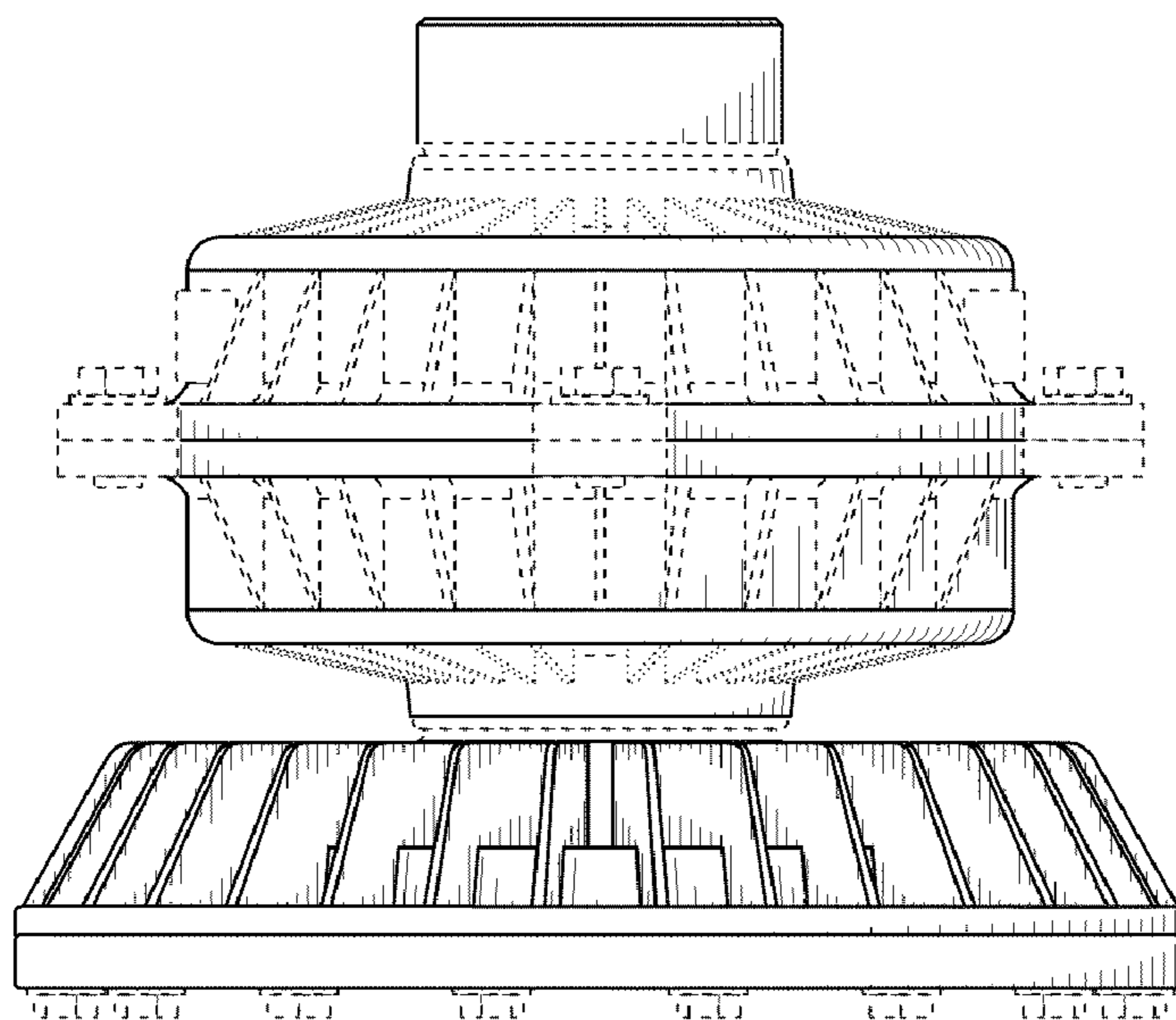


FIG. 21

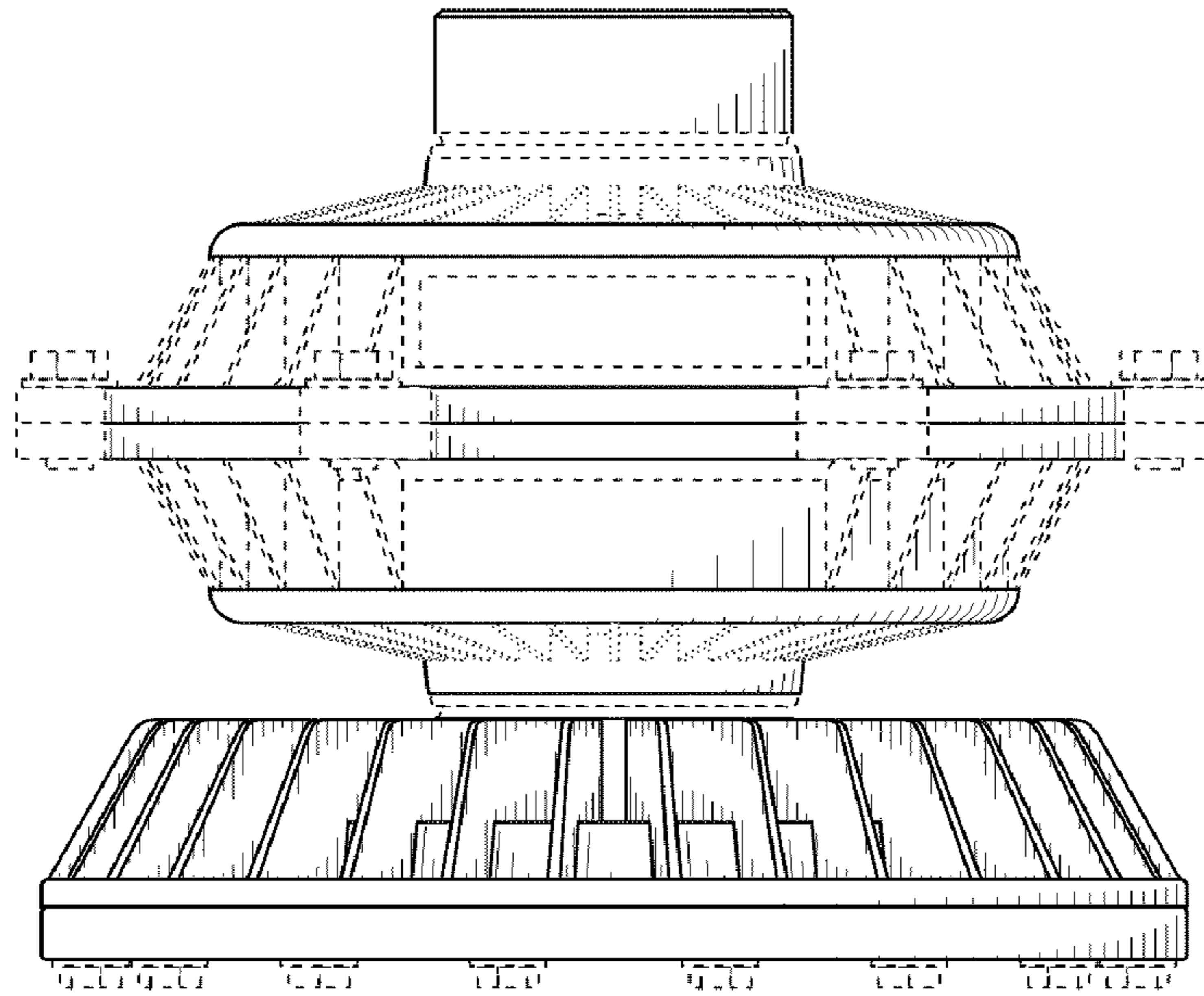


FIG. 22

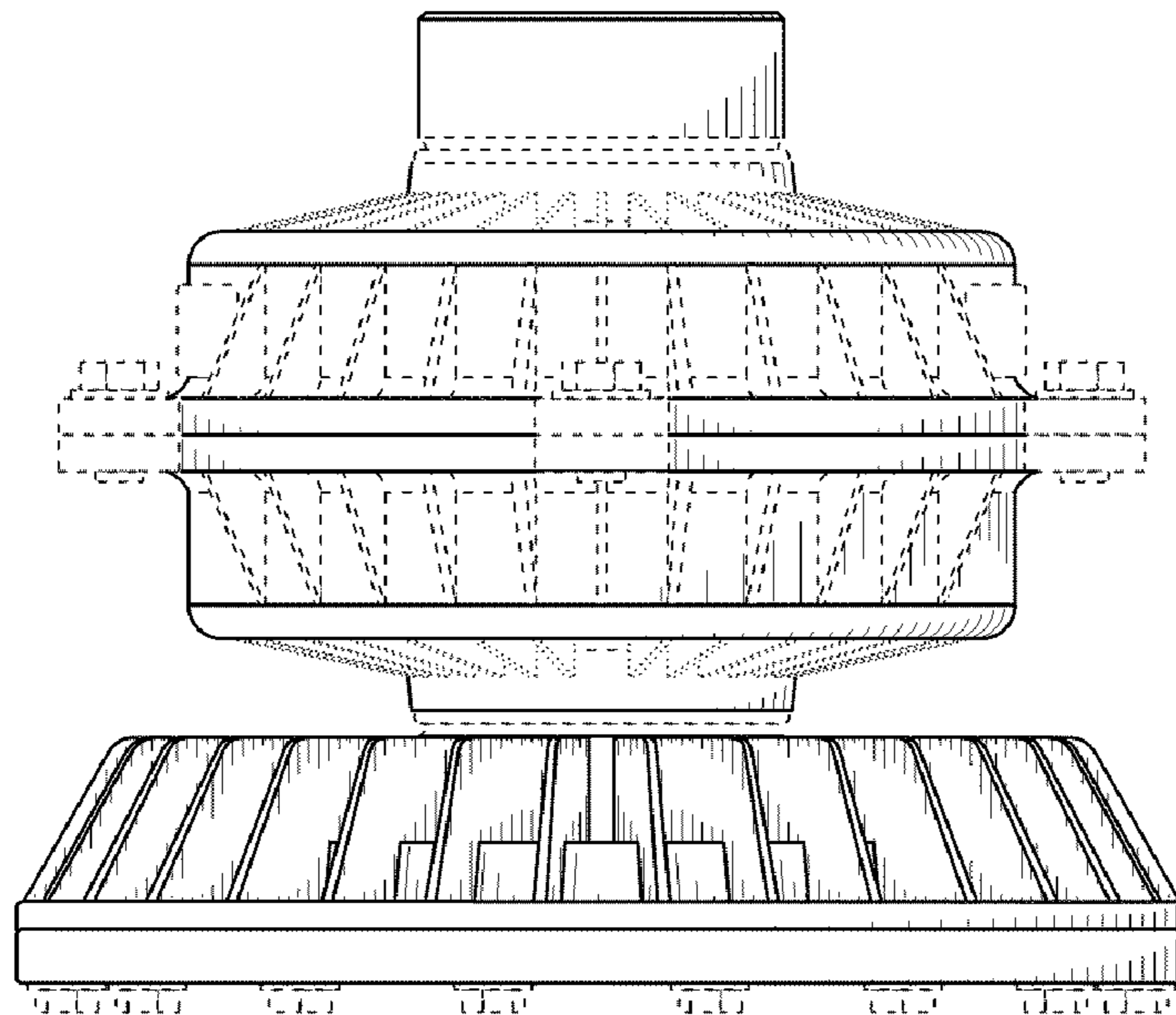


FIG. 23

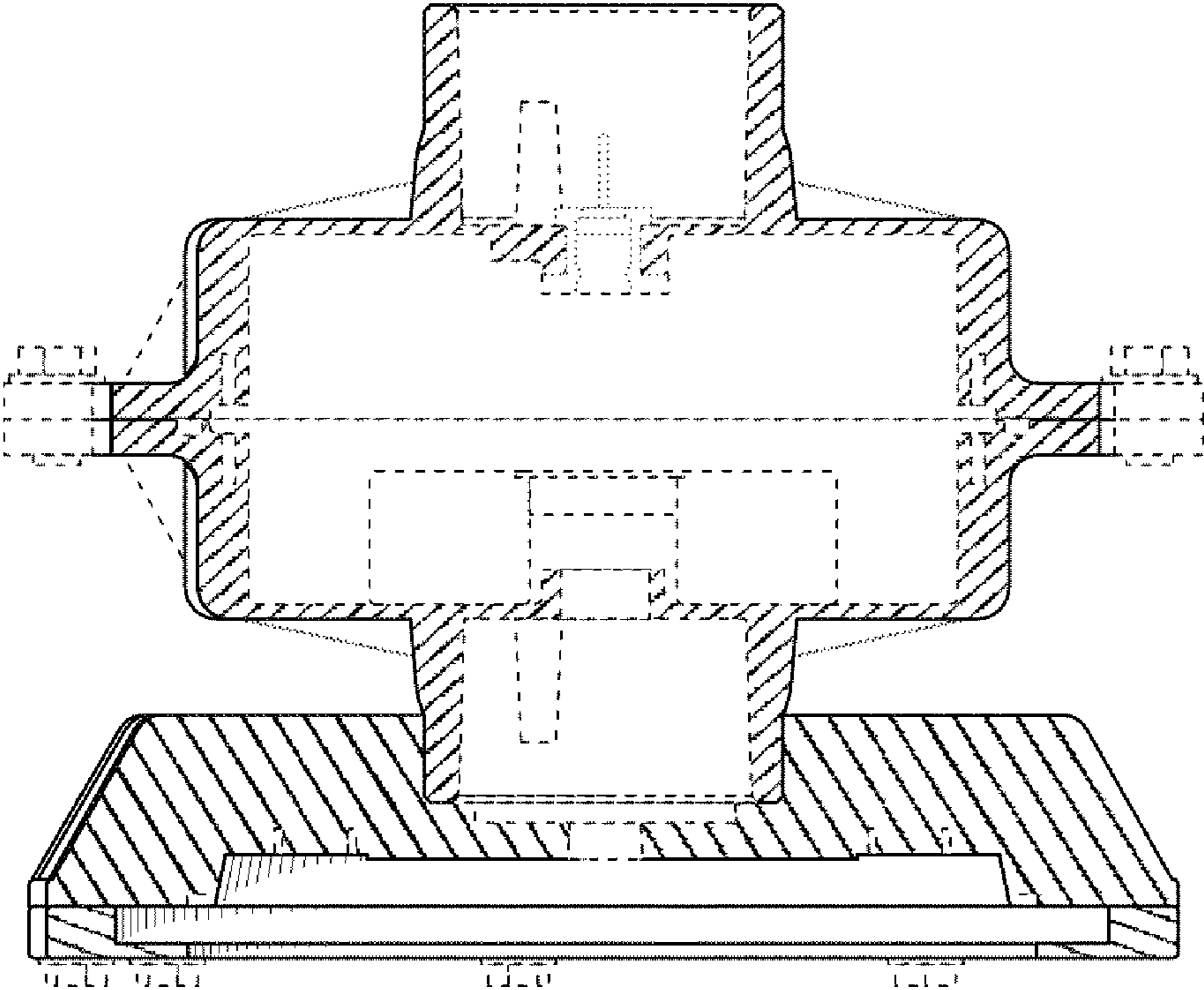


FIG. 24