

US00D650510S

(12) **United States Design Patent**
Jensen

(10) **Patent No.:** **US D650,510 S**

(45) **Date of Patent:** **** Dec. 13, 2011**

(54) **LAMP**

(75) Inventor: **Ole Jensen**, Frederiksberg (DK)

(73) Assignee: **Louis Poulsen Lighting A/S**,
Copenhagen (DK)

(**) Term: **14 Years**

(21) Appl. No.: **29/378,099**

(22) Filed: **Oct. 29, 2010**

(30) **Foreign Application Priority Data**

Apr. 29, 2010 (EM) 001701954

(51) **LOC (9) Cl.** **26-03**

(52) **U.S. Cl.** **D26/93**

(58) **Field of Classification Search** D26/1,
D26/24, 67-6, 93-94, 101, 104-110, 113;
362/3, 153, 186, 217, 255, 257, 277, 317,
362/351, 353, 362, 363, 382, 431, 433, 458,
362/806

See application file for complete search history.

(56) **References Cited**

U.S. PATENT DOCUMENTS

D589,646 S * 3/2009 Sabernig D26/110
D590,092 S * 4/2009 Starck D26/93
D610,739 S * 2/2010 Jourdan D26/93
D625,039 S * 10/2010 Citterio D26/93

* cited by examiner

Primary Examiner — Brian N Vinson

(74) *Attorney, Agent, or Firm* — Ladas & Parry LLP

(57) **CLAIM**

The ornamental design for a lamp, as shown and described.

DESCRIPTION

FIG. 1 is a top plan view of the lamp embodying our new design;

FIG. 2 is a right side elevational view thereof, the left side elevational view being a mirror image thereof;

FIG. 3 is a front elevational view thereof, the rear elevational view being a mirror image thereof;

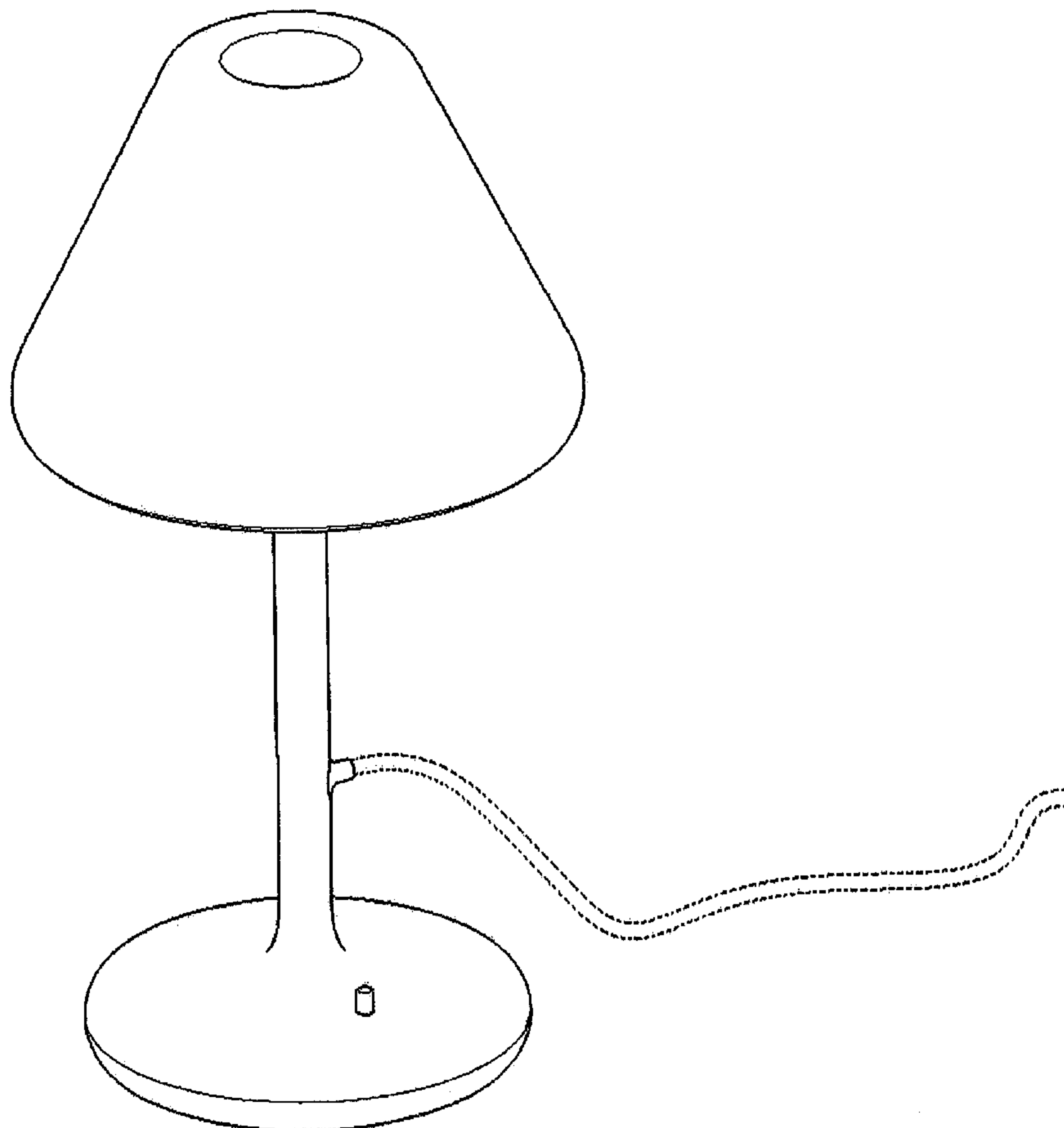
FIG. 4 is a front elevational view without the lamp shade in place;

FIG. 5 is a perspective view thereof; and,

FIG. 6 is a bottom plan view thereof.

The broken lines in the drawings depict environmental subject matter only and form no part of the claimed design.

1 Claim, 6 Drawing Sheets



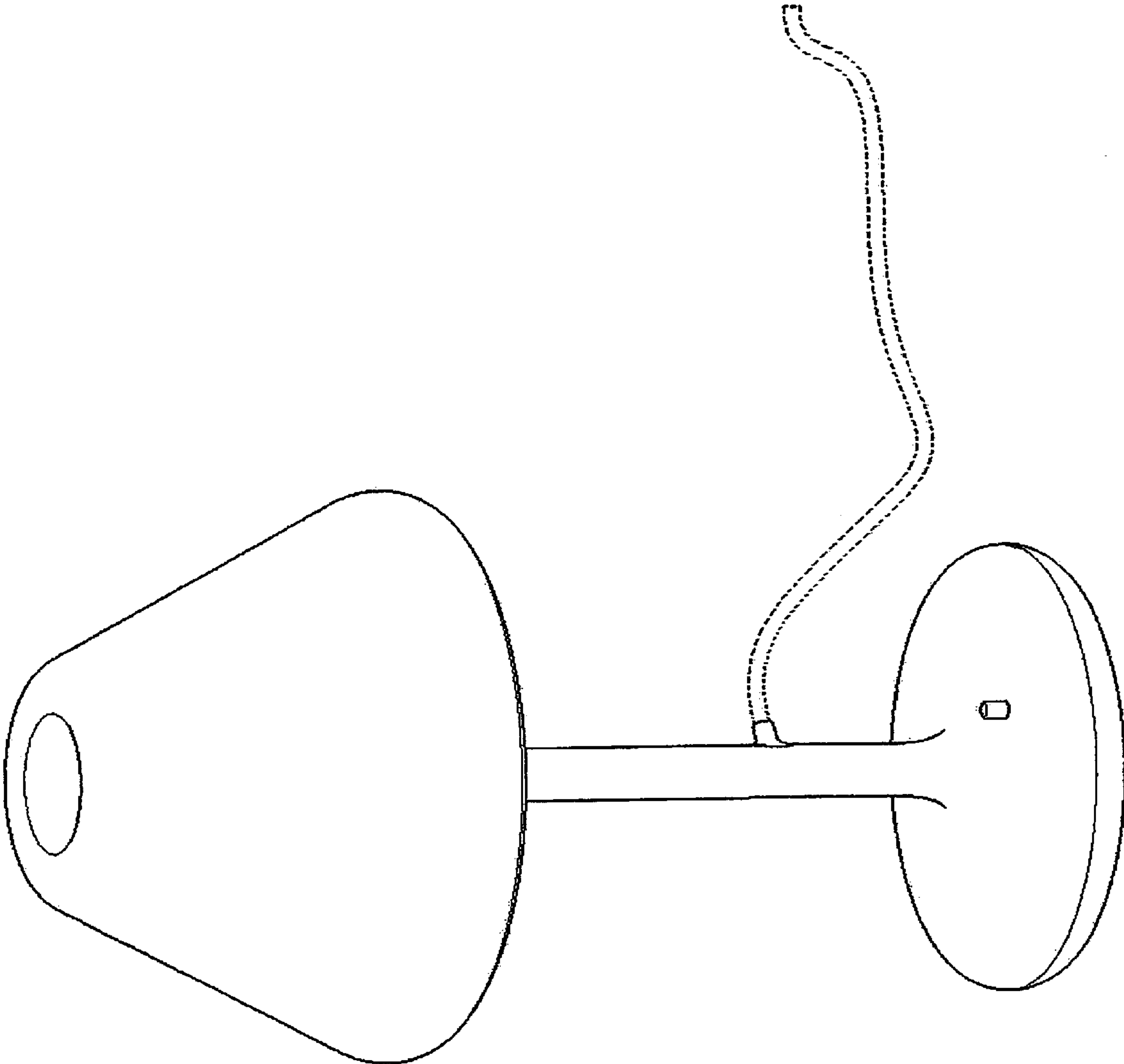


FIG. 1

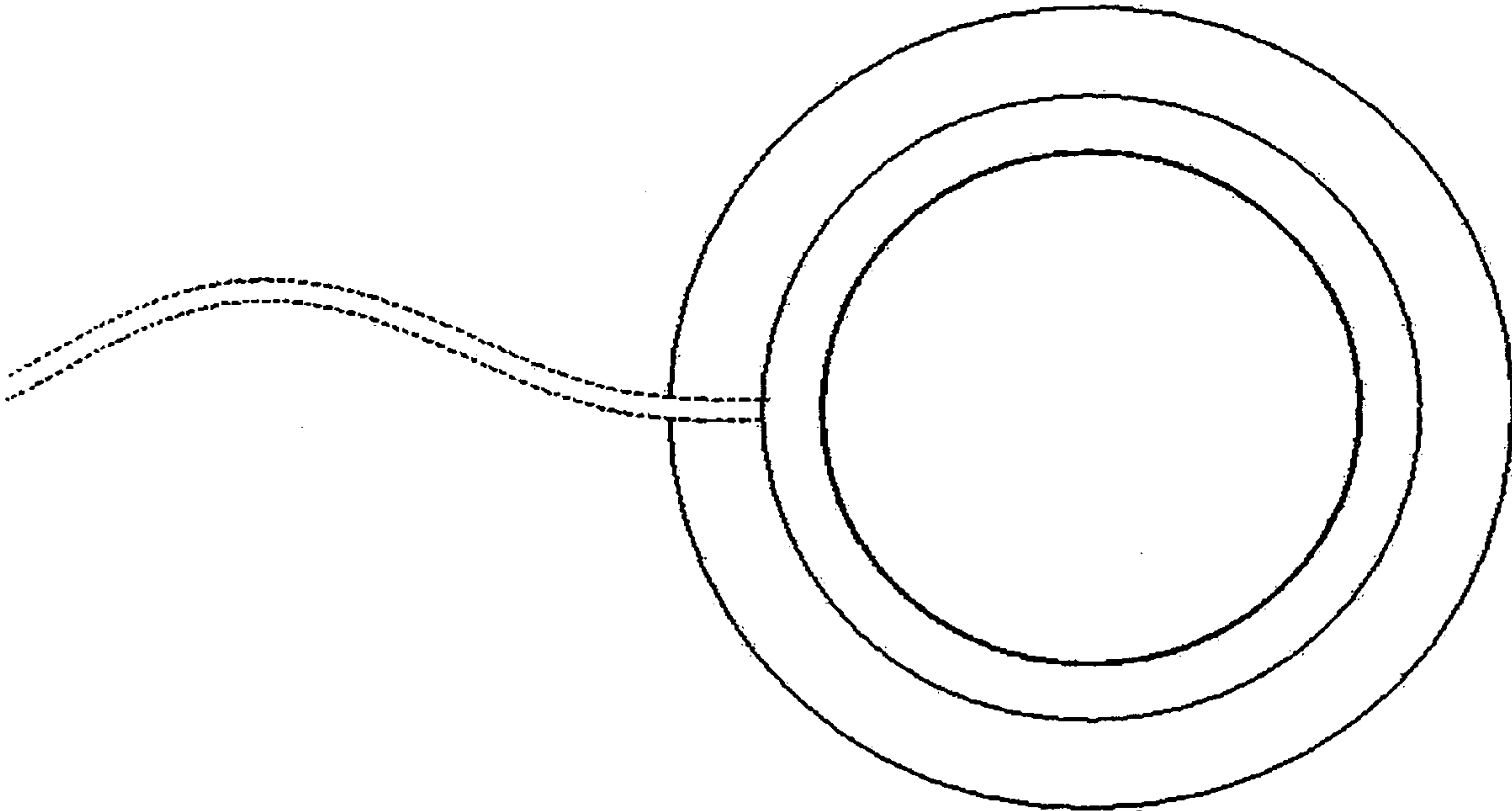


FIG. 2

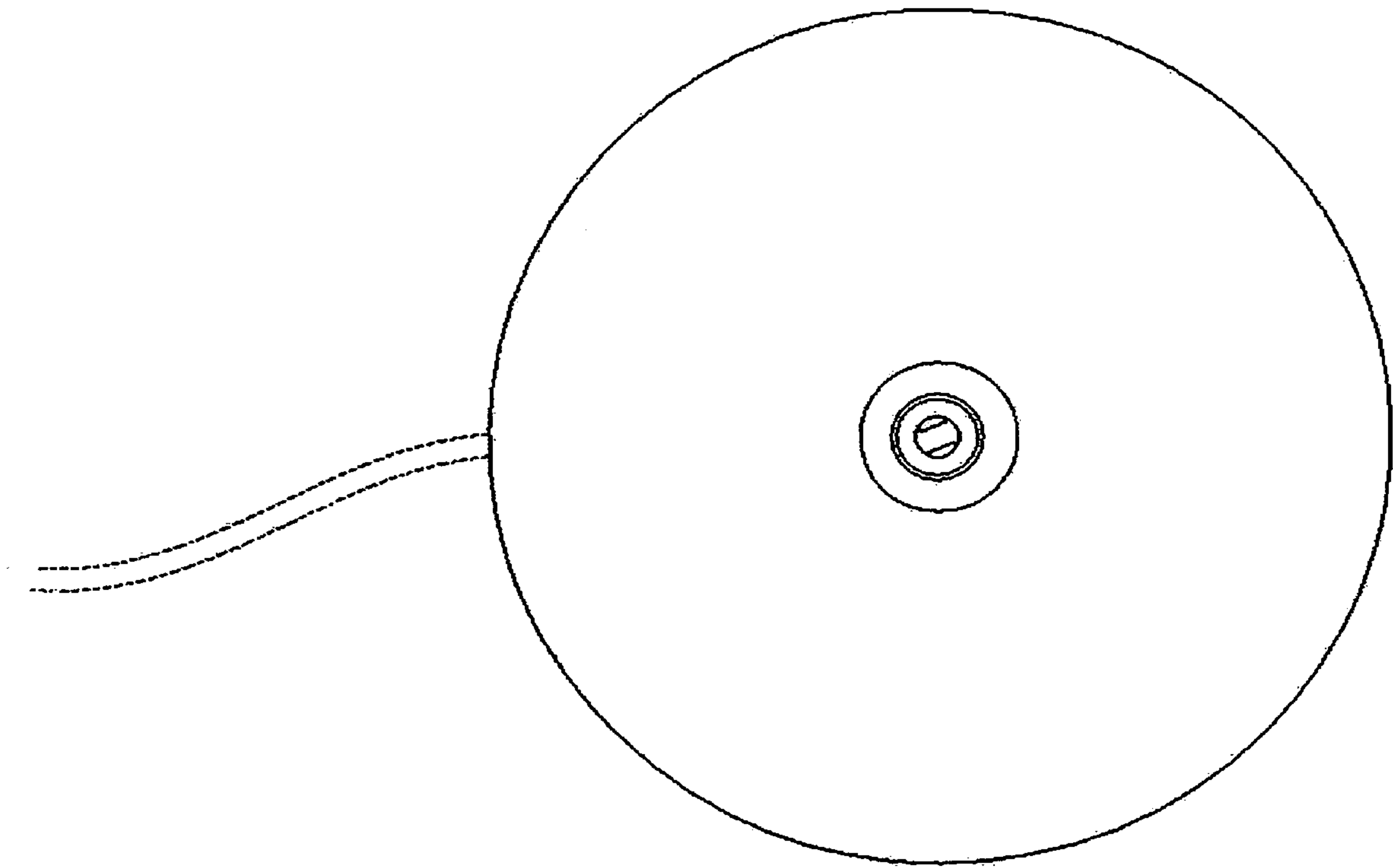


FIG. 3

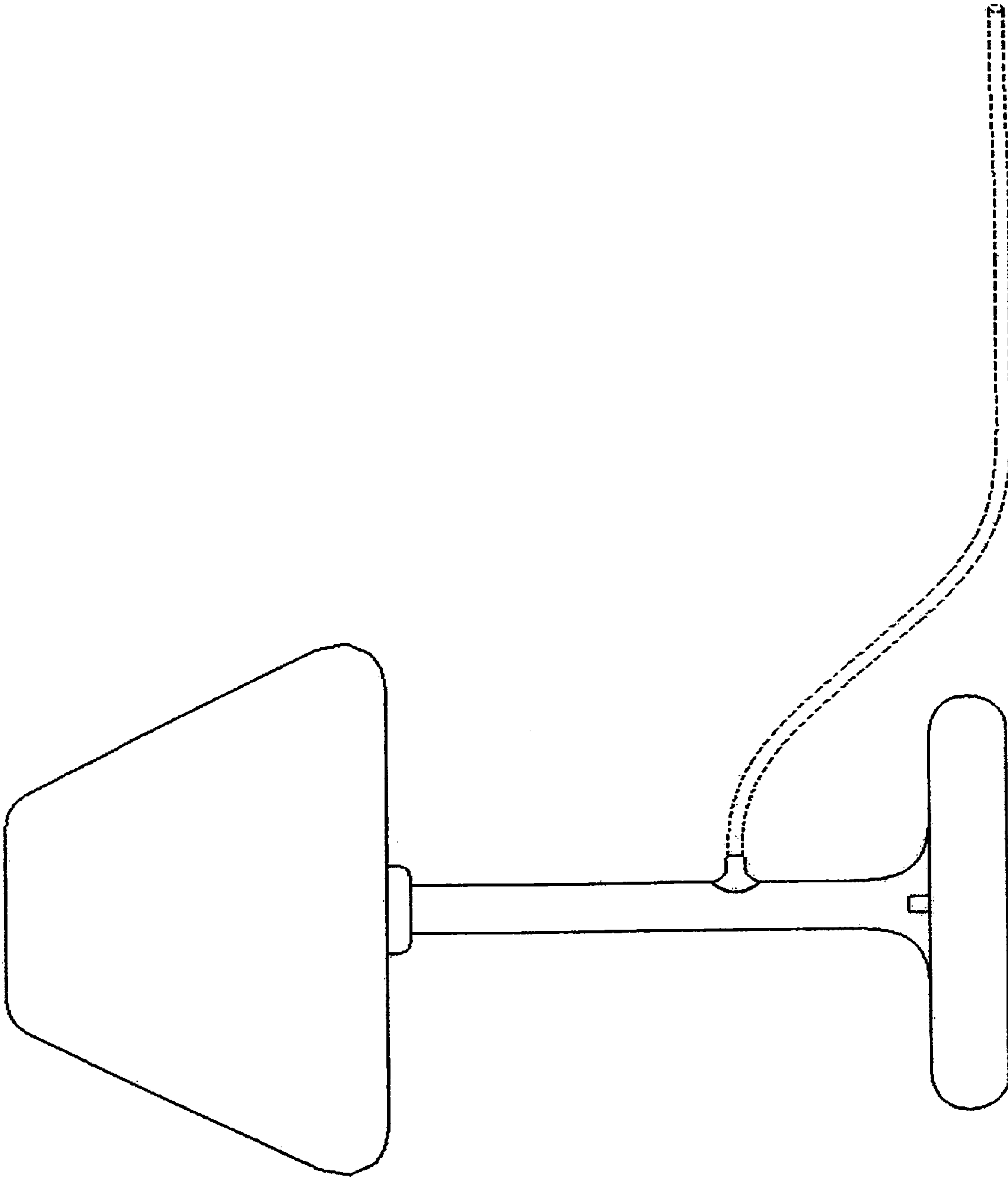


FIG. 4

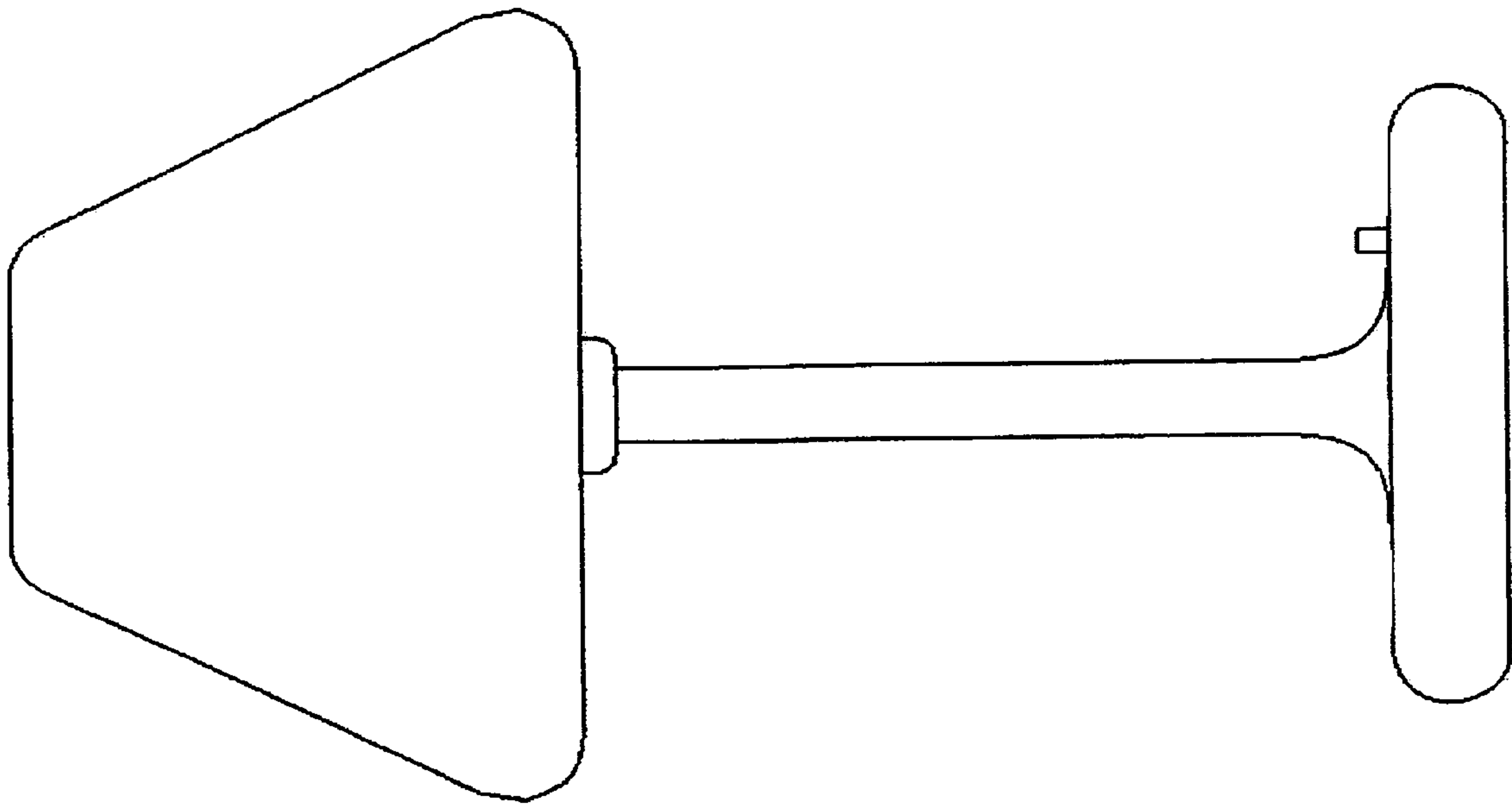


FIG. 5

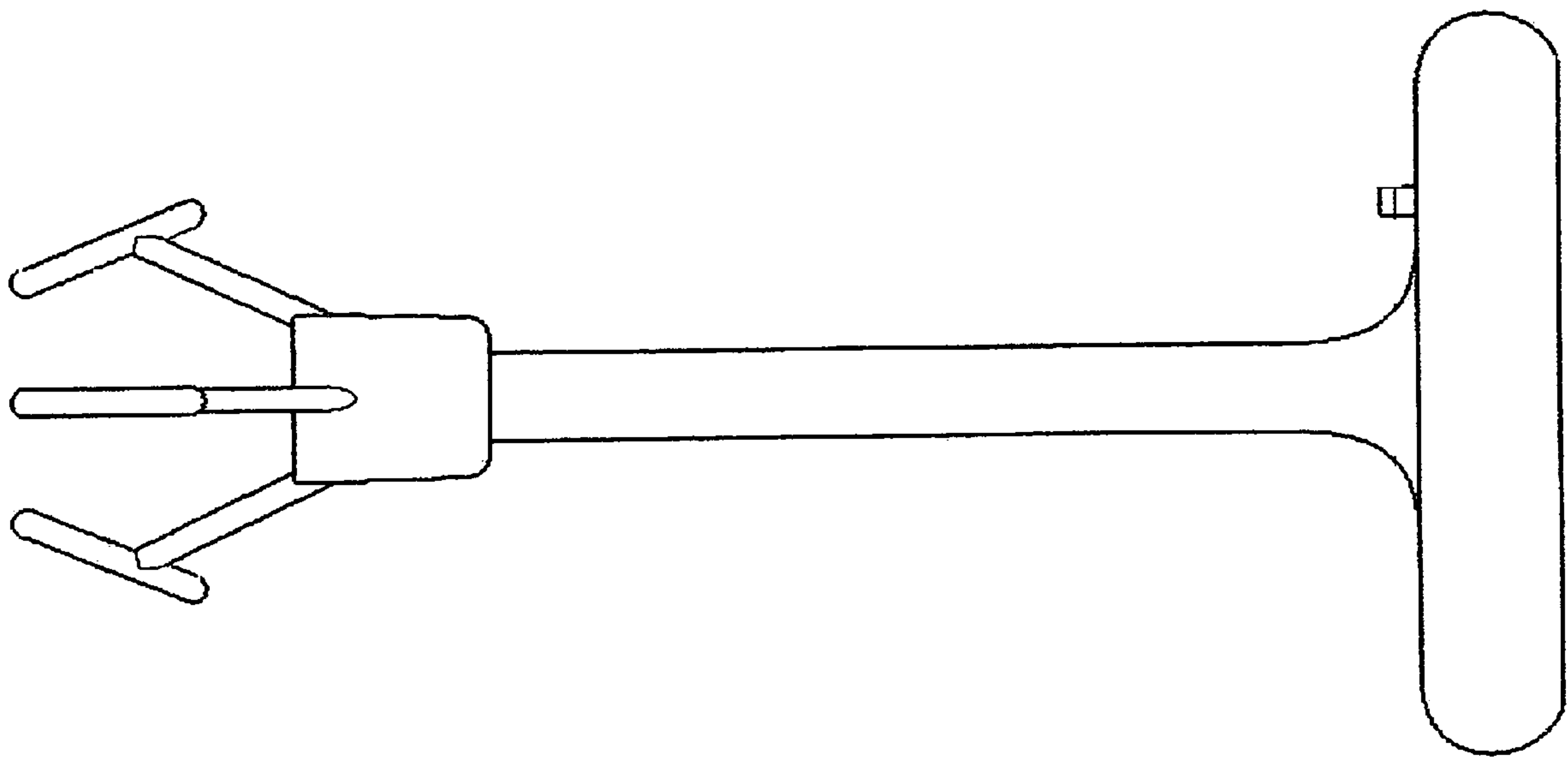


FIG. 6