



US00D650509S

(12) **United States Design Patent**
Wegger et al.

(10) **Patent No.:** **US D650,509 S**

(45) **Date of Patent:** **** Dec. 13, 2011**

(54) **RECTANGULAR FLOATING LIGHT**

(75) Inventors: **Emil Wegger**, Viby J (DK); **Markus J. Mayer**, Munich (DE); **Fabio Reyes**, Silkeborg (DK); **Claus Jepsen**, Horsens (DK); **Nick Ross**, San Francisco, CA (US)

(73) Assignee: **GE Lighting Solutions, LLC**, Cleveland, OH (US)

(**) Term: **14 Years**

(21) Appl. No.: **29/389,294**

(22) Filed: **Apr. 8, 2011**

(51) **LOC (9) Cl.** **26-03**

(52) **U.S. Cl.** **D26/90**

(58) **Field of Classification Search** D26/75,
D26/76, 80-91; 362/147, 404-408, 217.01
See application file for complete search history.

(56) **References Cited**

U.S. PATENT DOCUMENTS

| | | | |
|--------------|---------|-----------------|--------|
| D421,146 S * | 2/2000 | Poulton | D26/76 |
| D437,446 S * | 2/2001 | Reo et al. | D26/91 |
| D468,474 S * | 1/2003 | Poulton | D26/90 |
| D481,149 S * | 10/2003 | Engel | D26/76 |
| D511,852 S * | 11/2005 | Benensohn | D26/76 |
| D512,173 S * | 11/2005 | Benensohn | D26/76 |
| D514,731 S * | 2/2006 | Engel | D26/88 |
| D537,187 S * | 2/2007 | Lucatello | D26/84 |

| | | | |
|--------------|---------|---------------------|--------|
| D570,026 S * | 5/2008 | Waldmann | D26/76 |
| D580,583 S * | 11/2008 | Pfund | D26/76 |
| D584,848 S * | 1/2009 | Menke | D26/88 |
| D591,443 S * | 4/2009 | Beno et al. | D26/88 |
| D595,890 S * | 7/2009 | Sabernig | D26/88 |
| D602,626 S * | 10/2009 | Santoro et al. | D26/76 |
| D608,930 S * | 1/2010 | Castelli | D26/76 |
| D632,004 S * | 2/2011 | Waldmann | D26/88 |

* cited by examiner

Primary Examiner — Clare E Heflin

(74) *Attorney, Agent, or Firm* — Fay Sharpe LLP

(57) **CLAIM**

The ornamental design for a rectangular floating light, as shown and described.

DESCRIPTION

FIG. 1 is a side elevation view of a luminaire (it is noted that each side elevation view is essentially identical and therefore only one is provided);

FIG. 2 is an end view thereof (it is noted that each end view is essentially identical and therefore only one is provided);

FIG. 3 is a top plan view thereof;

FIG. 4 is a bottom plan view thereof;

FIG. 5 is a top perspective view thereof; and,

FIG. 6 is a bottom perspective view thereof.

1 Claim, 2 Drawing Sheets

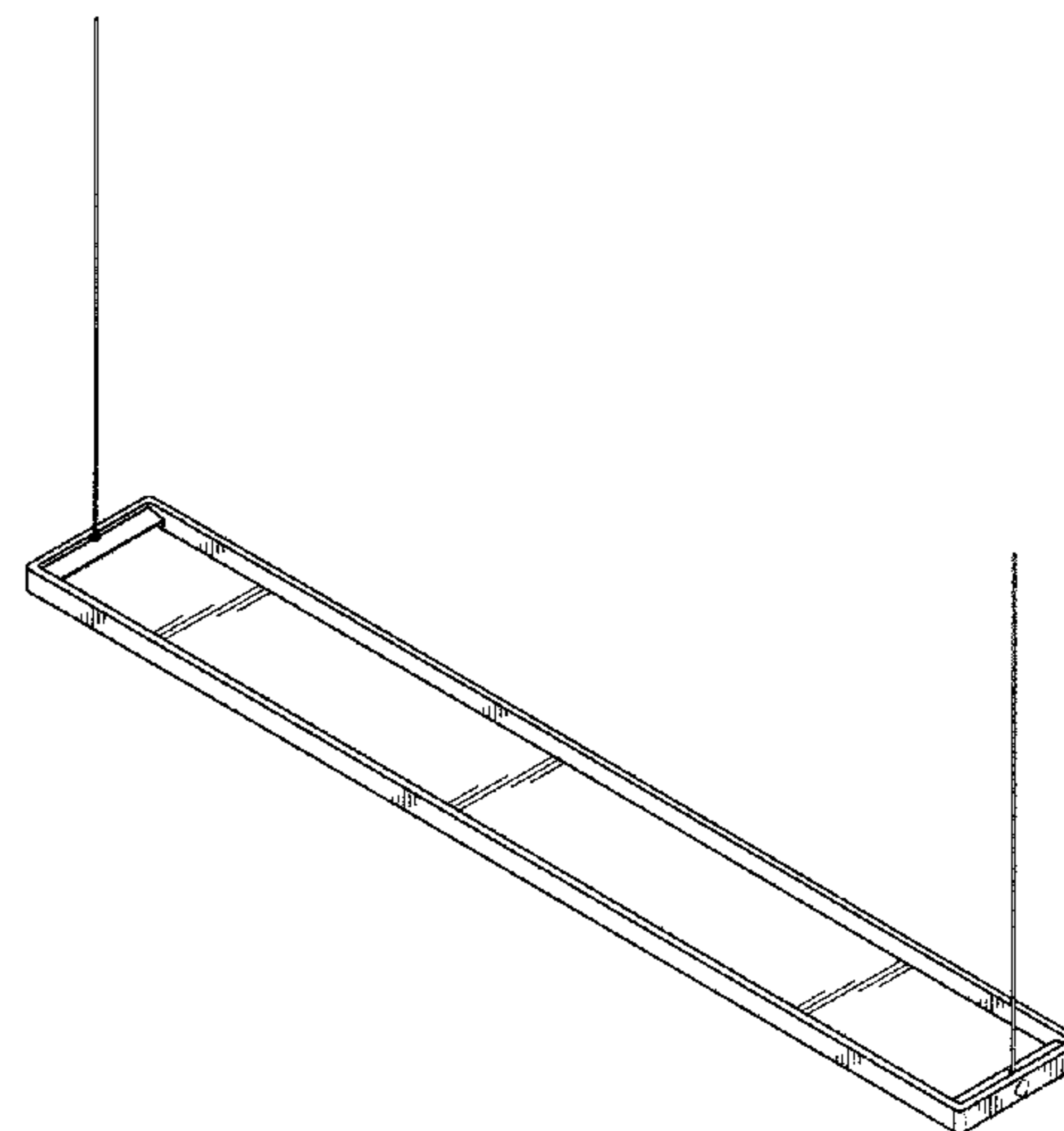
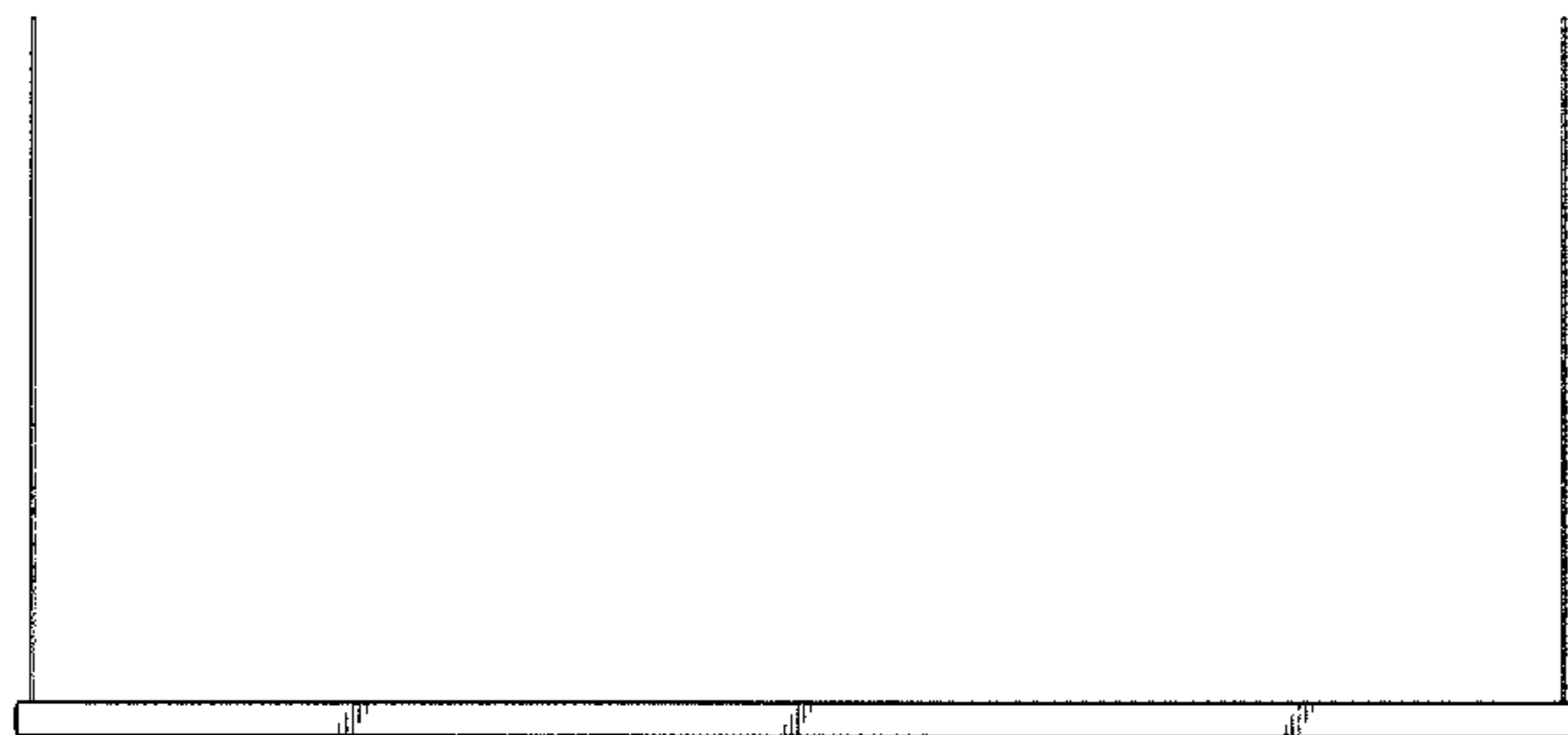




FIG. 3



FIG. 1

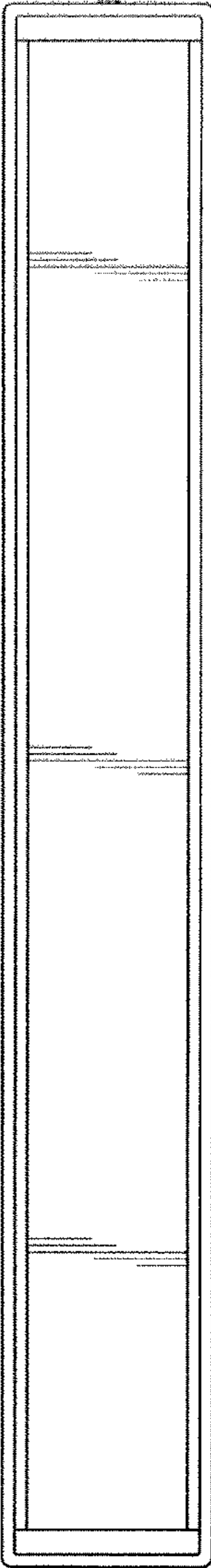


FIG. 4

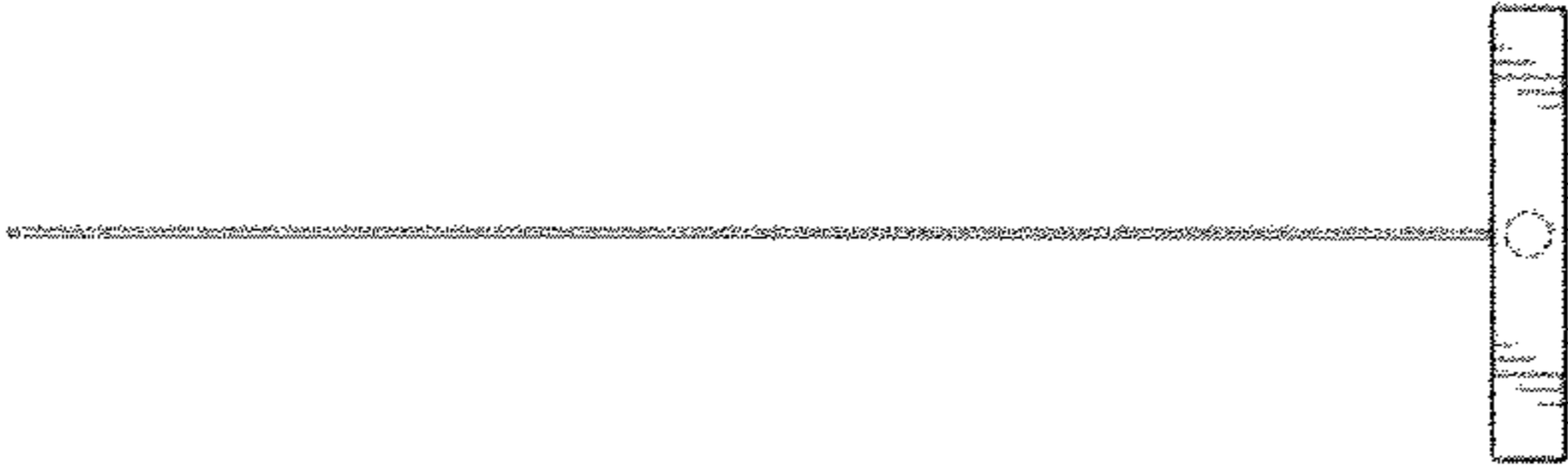


FIG. 2

