

US00D650508S

(12) **United States Design Patent**  
**Wassel et al.**

(10) **Patent No.:** **US D650,508 S**  
(45) **Date of Patent:** **\*\* Dec. 13, 2011**

(54) **FACETED ARC LIGHT**

(75) Inventors: **James J. Wassel**, Fombell, PA (US); **R. Douglas Falk**, Fombell, PA (US)

(73) Assignee: **Appalachian Lighting Systems, Inc.**, Ellwood City, PA (US)

(\*\*) Term: **14 Years**

(21) Appl. No.: **29/342,286**

(22) Filed: **Aug. 21, 2009**

(51) **LOC (9) Cl.** ..... **26-03**

(52) **U.S. Cl.** ..... **D26/76**

(58) **Field of Classification Search** ..... D26/75-85,  
D26/88, 89, 72, 25, 3; 362/555, 14, 148,  
362/150, 217.01, 217.05, 217.06, 217.07,  
362/217.08, 217.09, 217.1, 217.12, 217.13,  
362/260, 296.01, 404

See application file for complete search history.

(56) **References Cited**

**U.S. PATENT DOCUMENTS**

D364,478 S *	11/1995	Pesau .....	D26/76
D397,819 S *	9/1998	Thorton, Jr. ....	D26/77
D463,601 S *	9/2002	Ludwig .....	D26/76
D465,049 S *	10/2002	Ludwig .....	D26/78
D483,510 S *	12/2003	Fritze et al. ....	D26/75
D513,439 S *	1/2006	Hetfield .....	D26/76

D543,652 S *	5/2007	Hargreaves .....	D26/76
D569,026 S *	5/2008	Silver .....	D26/76
D608,929 S *	1/2010	Castelli .....	D26/76
D608,932 S *	1/2010	Castelli .....	D26/76
D611,183 S *	3/2010	Duarte .....	D26/76
D612,088 S *	3/2010	Wassel et al. ....	D26/76
D616,138 S *	5/2010	Lasthein et al. ....	D26/76
2010/0254132 A1 *	10/2010	Wassel et al. ....	362/235

\* cited by examiner

*Primary Examiner* — Angela J Lee

(74) *Attorney, Agent, or Firm* — Arent Fox LLP

(57) **CLAIM**

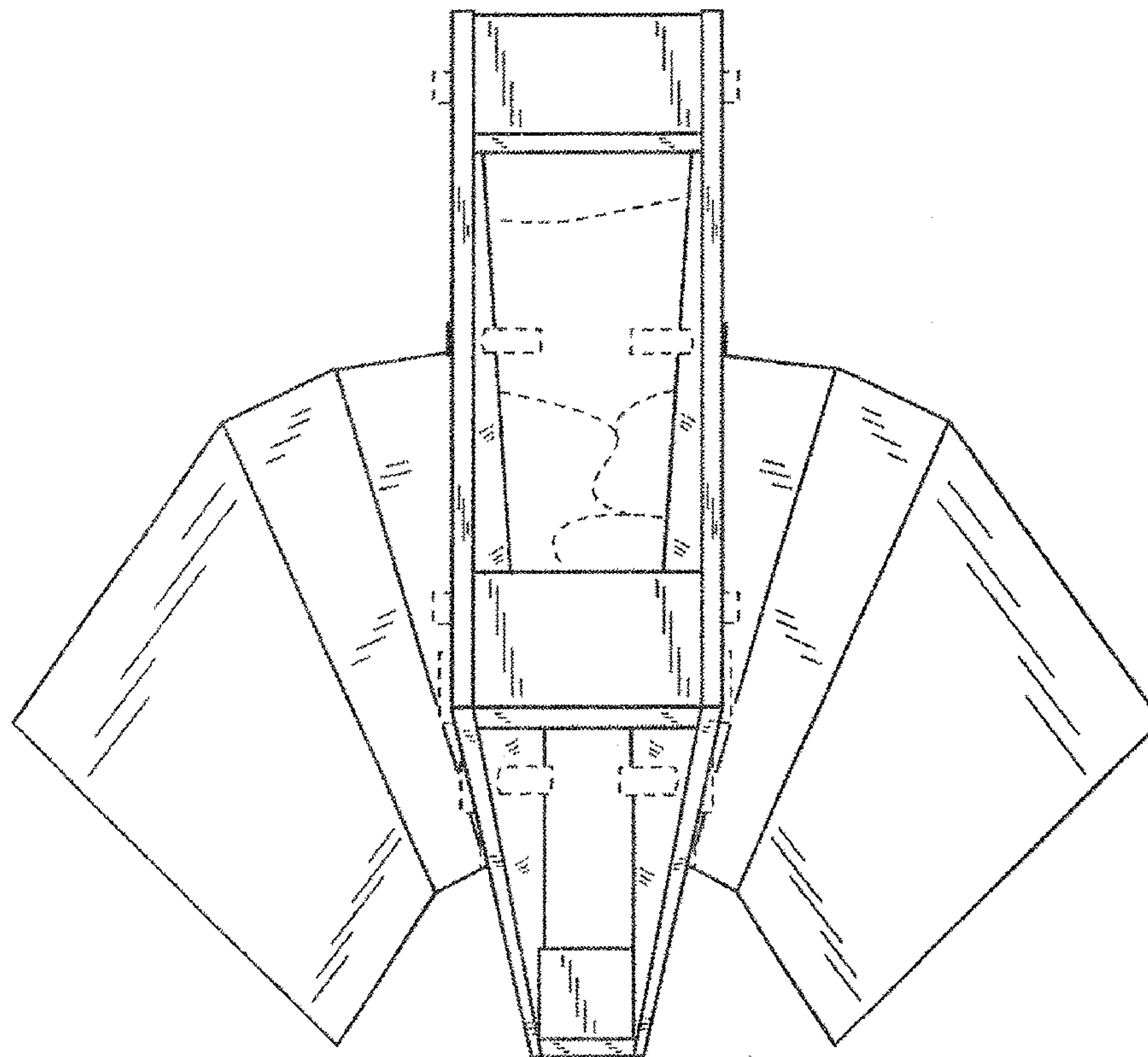
The ornamental design for a faceted ARC light, as shown and described.

**DESCRIPTION**

FIG. 1 is a perspective view of a faced ARC light in accordance with the present invention; FIG. 2 is a bottom view of the faceted ARC light of FIG. 1; FIG. 3 is a top view of the faceted ARC light of FIG. 1; FIG. 4 is a side view of the faceted ARC light of FIG. 1; and, FIG. 5 is a partial side-bottom perspective view of the faceted ARC light of FIG. 1.

The portions of the faceted ARC light shown in broken lines form no part of the claimed design.

**1 Claim, 5 Drawing Sheets**



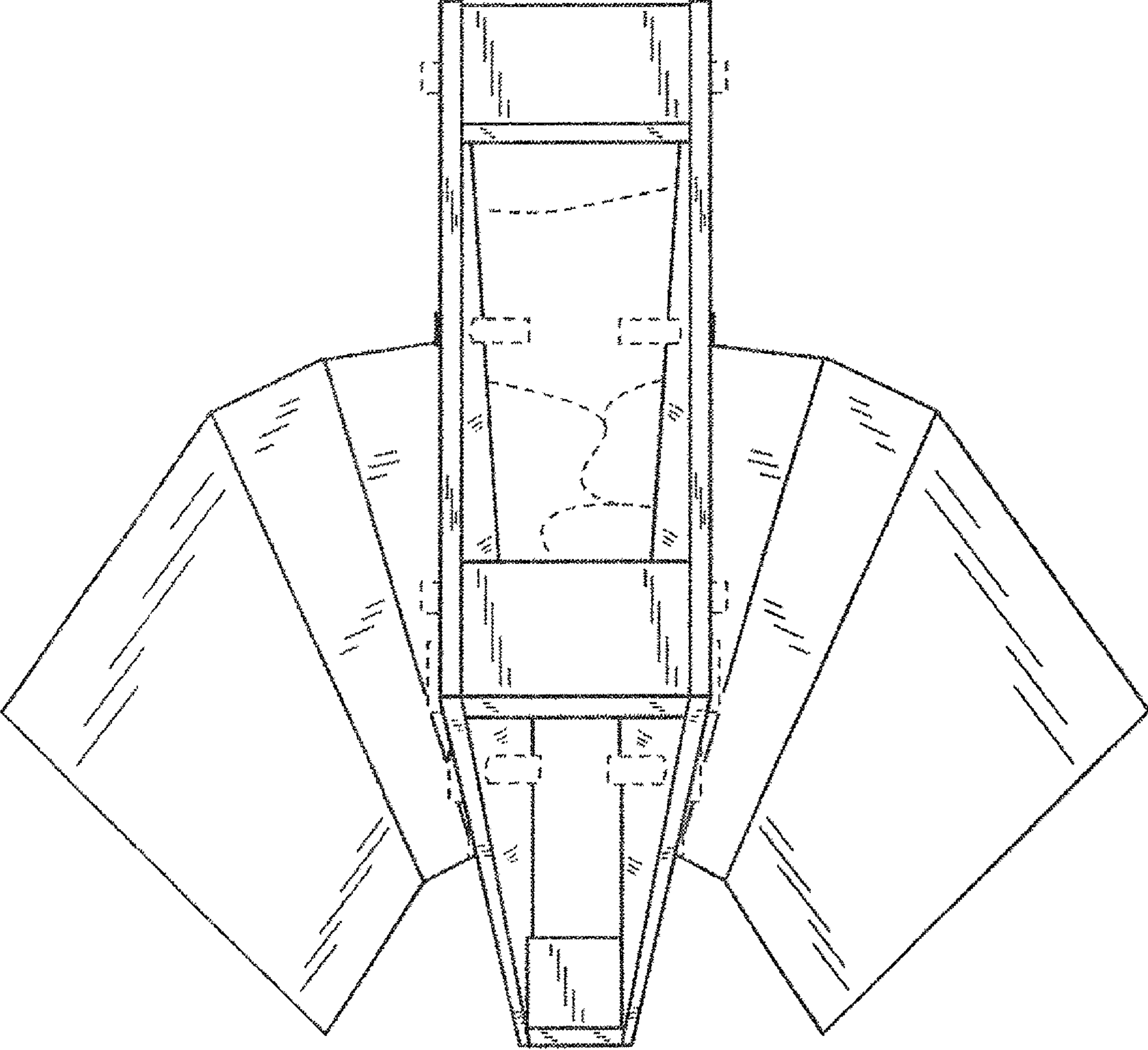


FIG. 1

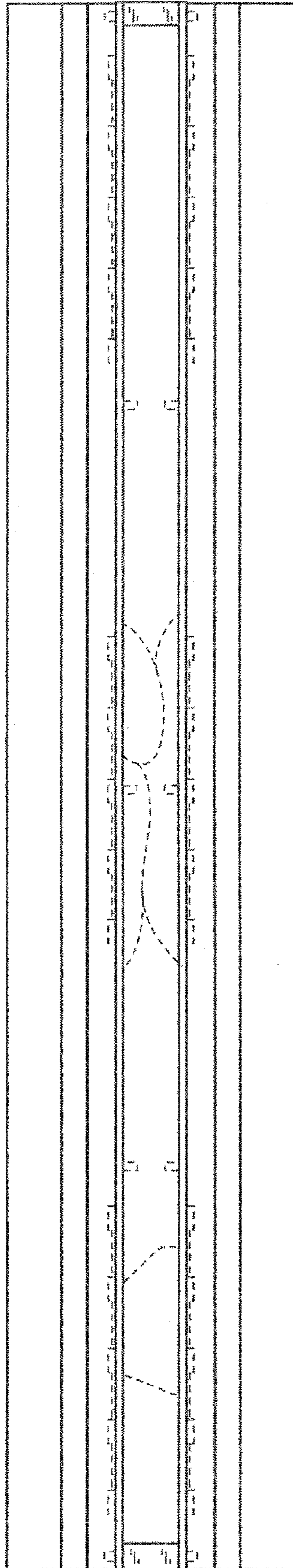


FIG.2



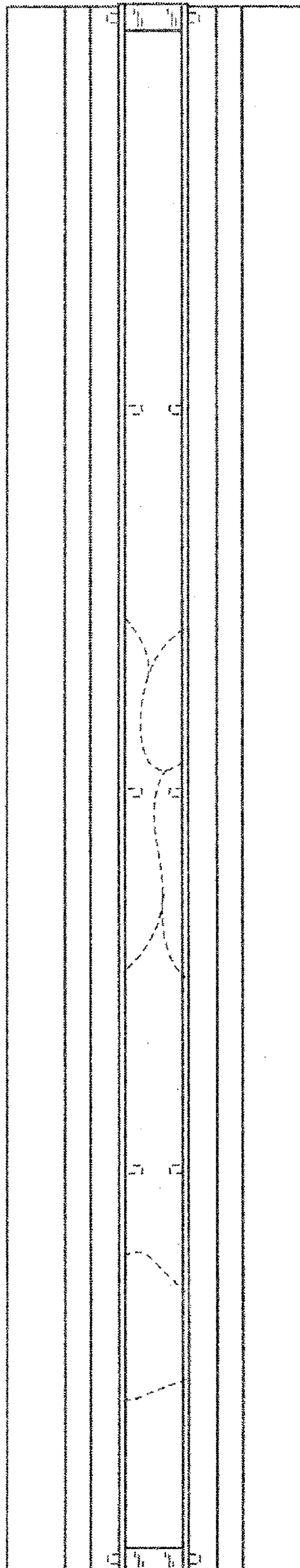


FIG.3

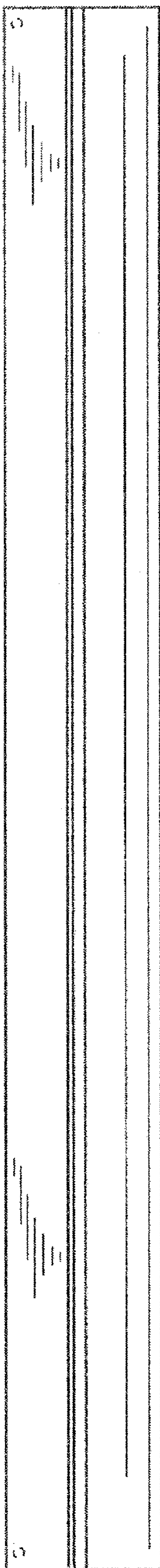


FIG.4

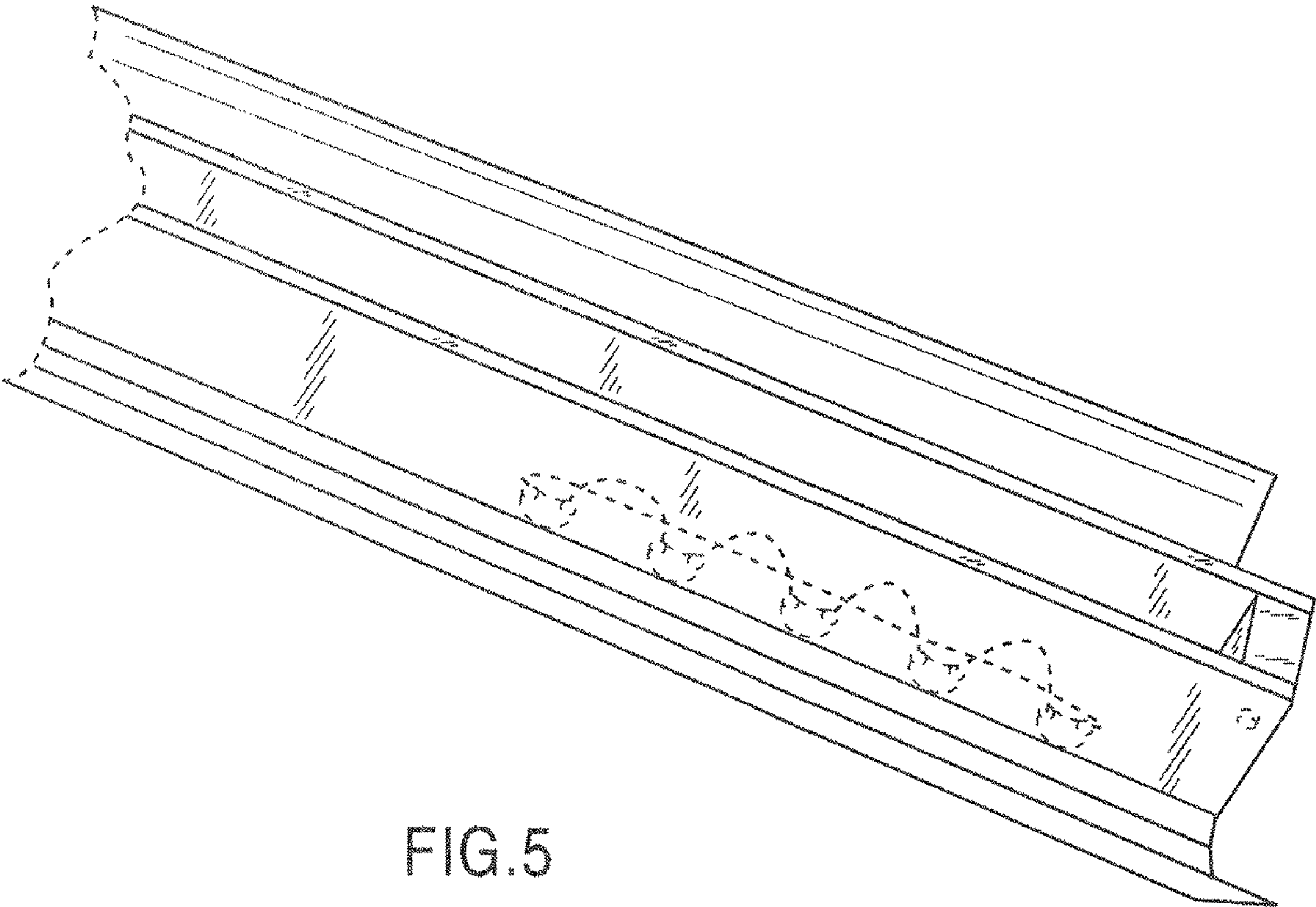


FIG.5