



US00D650507S

(12) **United States Design Patent**  
**Osiecki et al.**

(10) **Patent No.:** **US D650,507 S**

(45) **Date of Patent:** **\*\* Dec. 13, 2011**

(54) **LIGHTING DEVICE**

(75) Inventors: **Scott W. Osiecki**, Skaneateles, NY (US);  
**David J. Hine**, Syracuse, NY (US)

(73) Assignee: **Eveready Battery Company, Inc.**, St.  
Louis, MO (US)

(\*\*) Term: **14 Years**

(21) Appl. No.: **29/390,504**

(22) Filed: **Apr. 26, 2011**

(51) **LOC (9) Cl.** ..... **26-05**

(52) **U.S. Cl.** ..... **D26/72; D26/85**

(58) **Field of Classification Search** ..... D26/75,  
D26/76, 80, 85-92, 128, 130; 362/133, 147,  
362/240, 404-408, 431, 432  
See application file for complete search history.

(56) **References Cited**

**U.S. PATENT DOCUMENTS**

2,149,635	A *	3/1939	Shepard et al.	.....	362/355
D132,982	S *	7/1942	Beck	.....	D26/77
D135,375	S *	3/1943	Biller	.....	D26/76
2,474,308	A *	6/1949	Franck et al.	.....	362/224
D443,096	S *	5/2001	Echito	.....	D26/76
D483,511	S *	12/2003	Lay et al.	.....	D26/80

D498,018	S *	11/2004	Sieczkowski	.....	D26/118
D563,003	S *	2/2008	Aleksjew	.....	D26/37
D567,425	S *	4/2008	Yates	.....	D26/76
D586,029	S *	2/2009	Copeland	.....	D26/83
D608,043	S *	1/2010	Ko	.....	D26/76
D612,973	S *	3/2010	Munstermann	.....	D26/80
D642,726	S *	8/2011	Khubani	.....	D26/80

\* cited by examiner

*Primary Examiner* — Clare E Heflin

(74) *Attorney, Agent, or Firm* — Michael C. Pophal

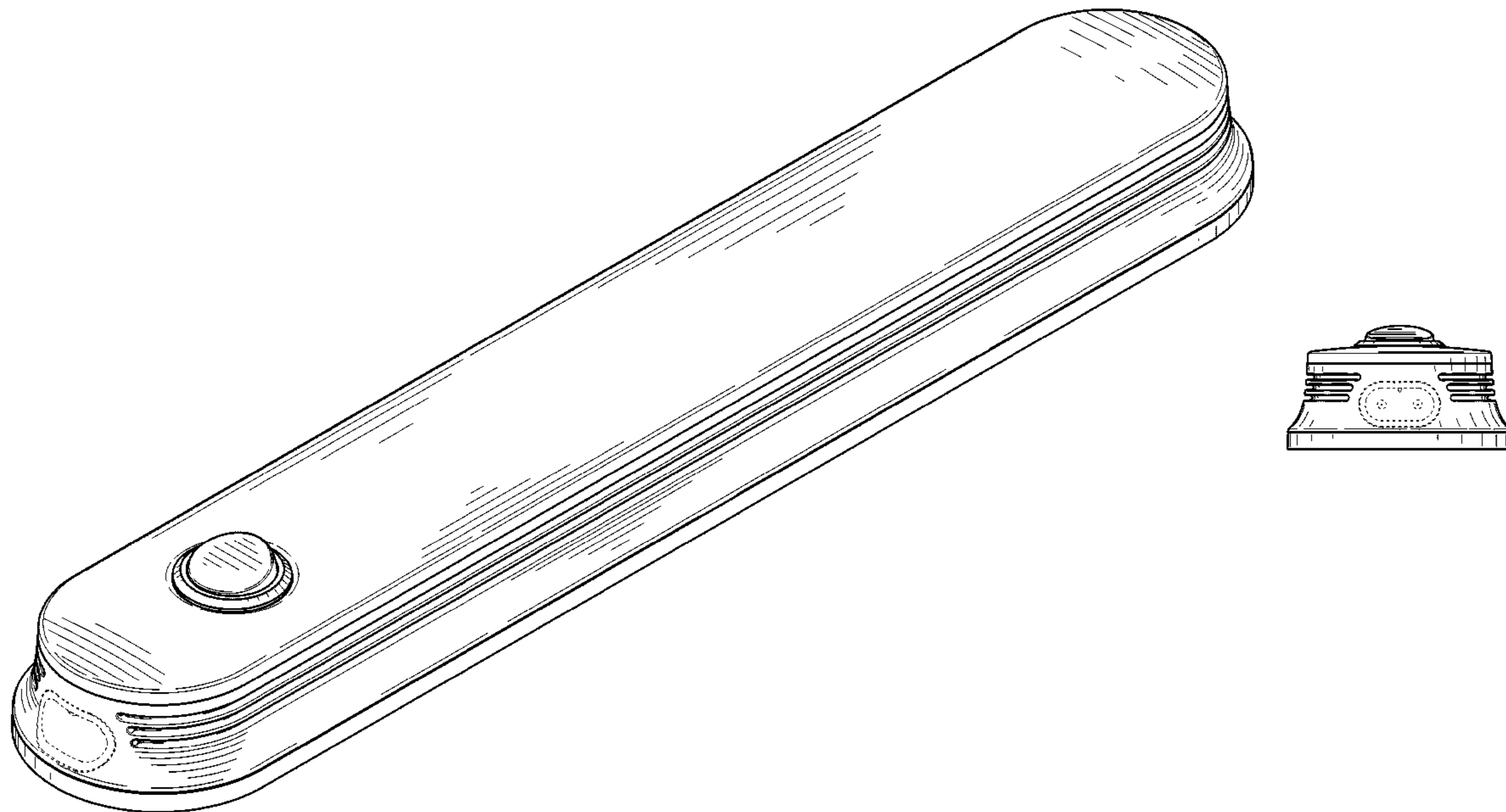
(57) **CLAIM**

We claim the ornamental design for a lighting device, as shown and described.

**DESCRIPTION**

FIG. 1 is a front perspective view of the design.  
FIG. 2 is a rear perspective view of the design.  
FIG. 3 is a right side view of the design. The left side view is a mirror image of the right side view.  
FIG. 4 is a front view of the design.  
FIG. 5 is a rear view of the design.  
FIG. 6 is a top view of the design; and,  
FIG. 7 is a bottom view of the design.  
Any broken line(s) shown are for illustrative purposes only and form no part of the claimed design.

**1 Claim, 4 Drawing Sheets**



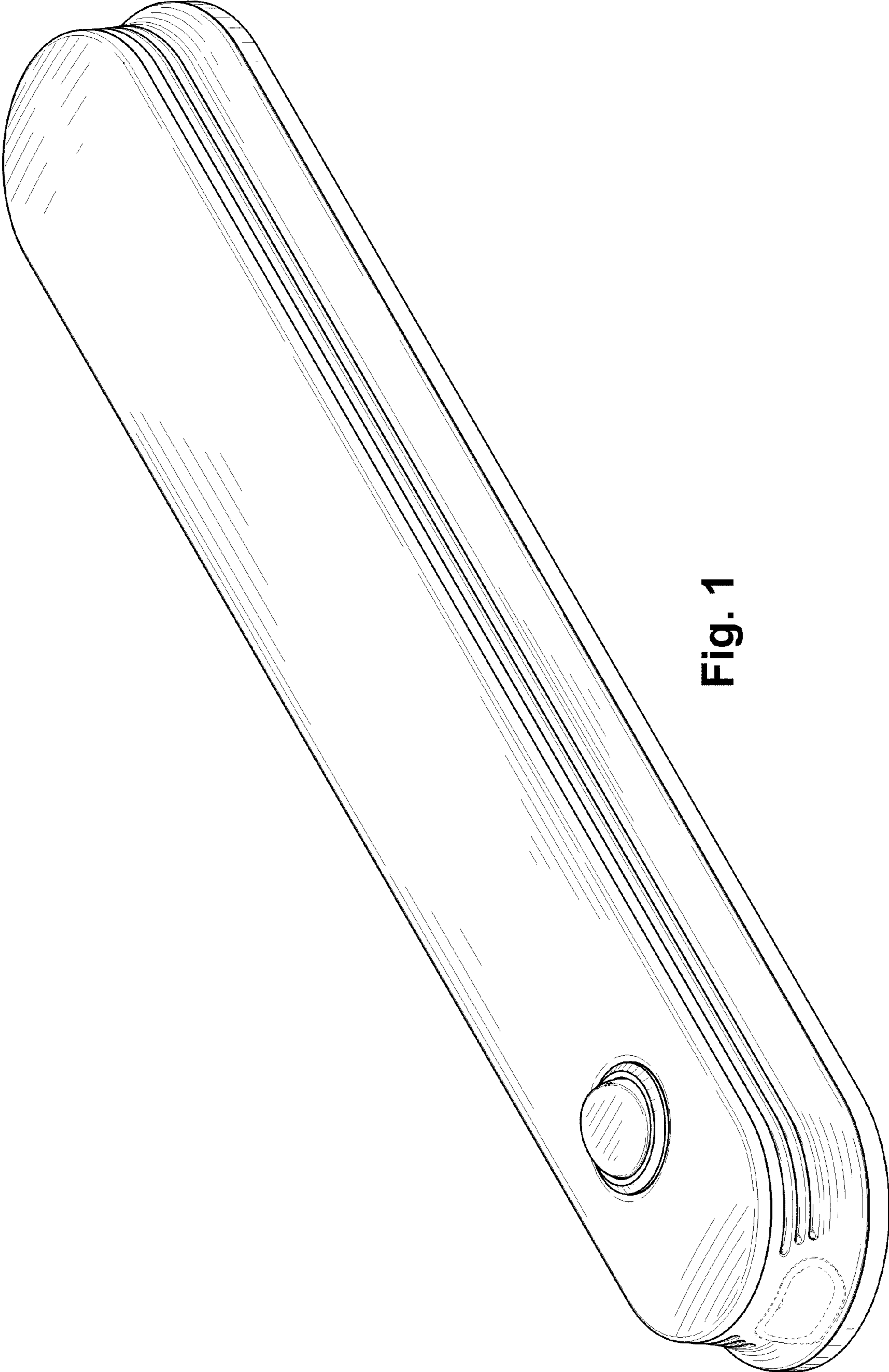


Fig. 1

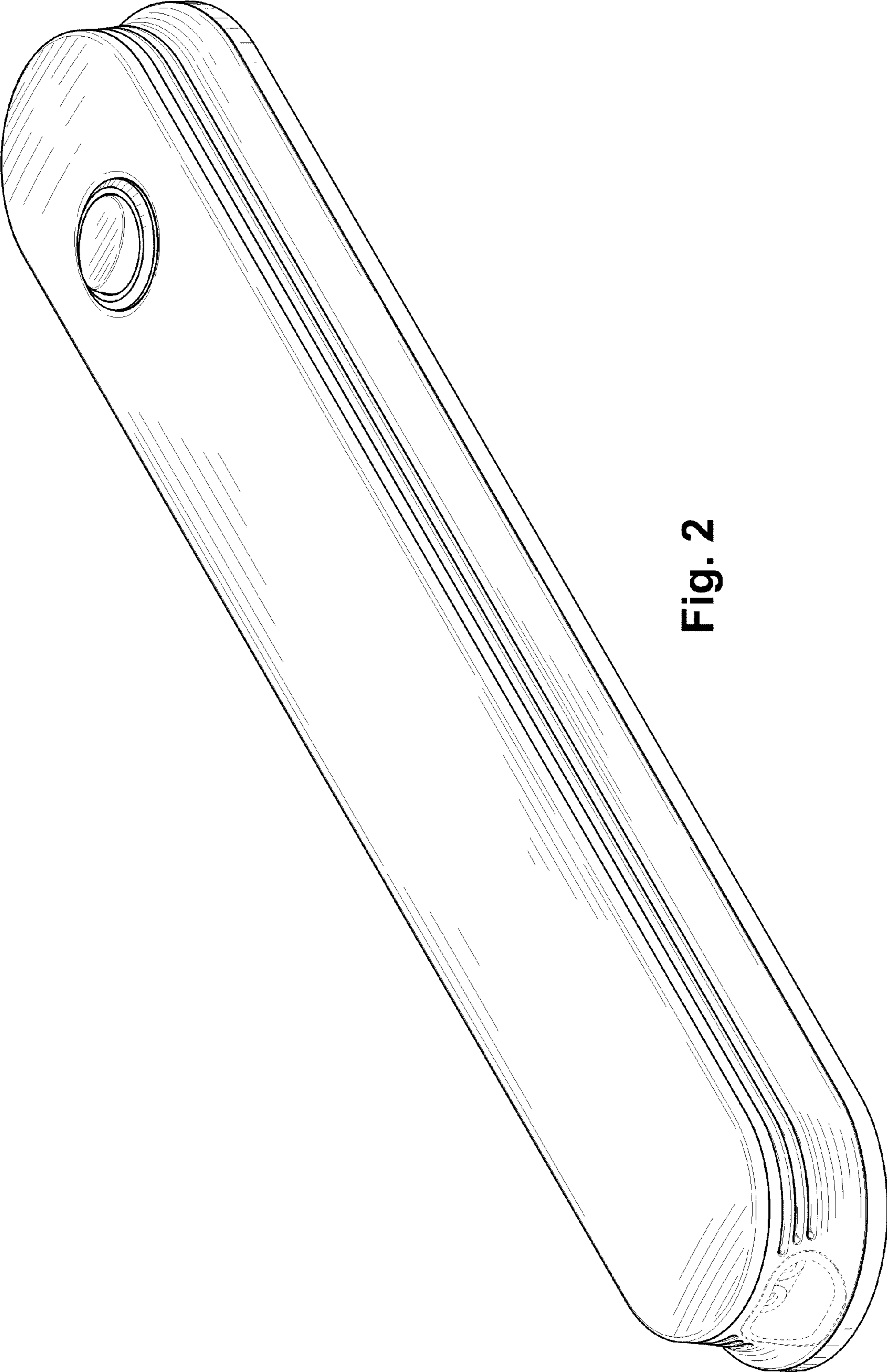


Fig. 2

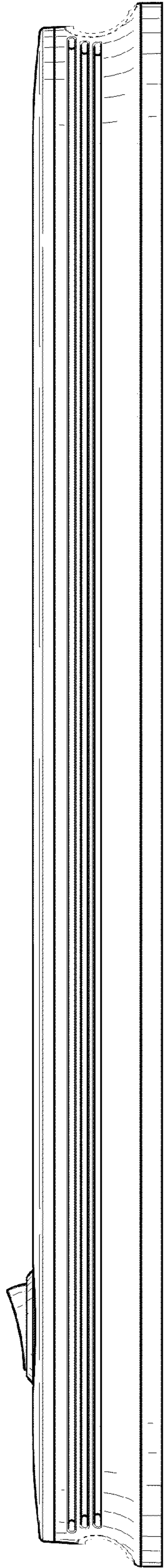


Fig. 3

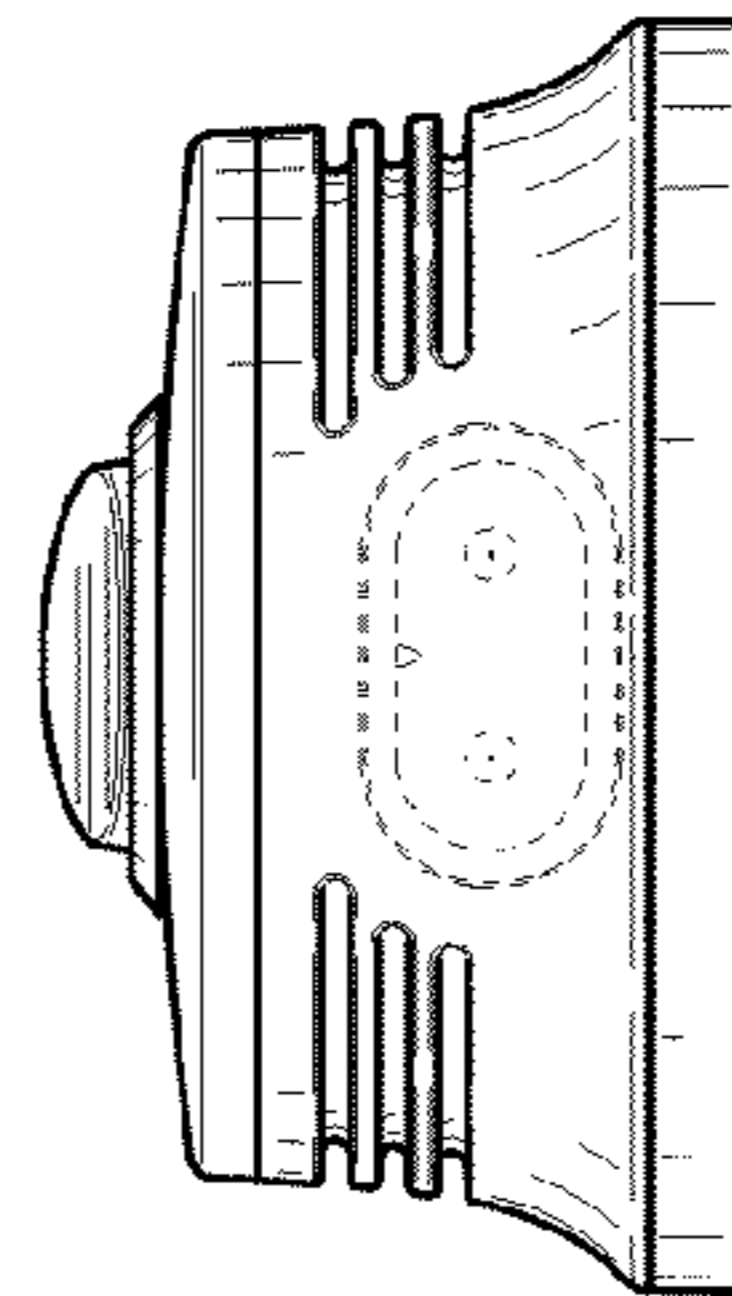


Fig. 4

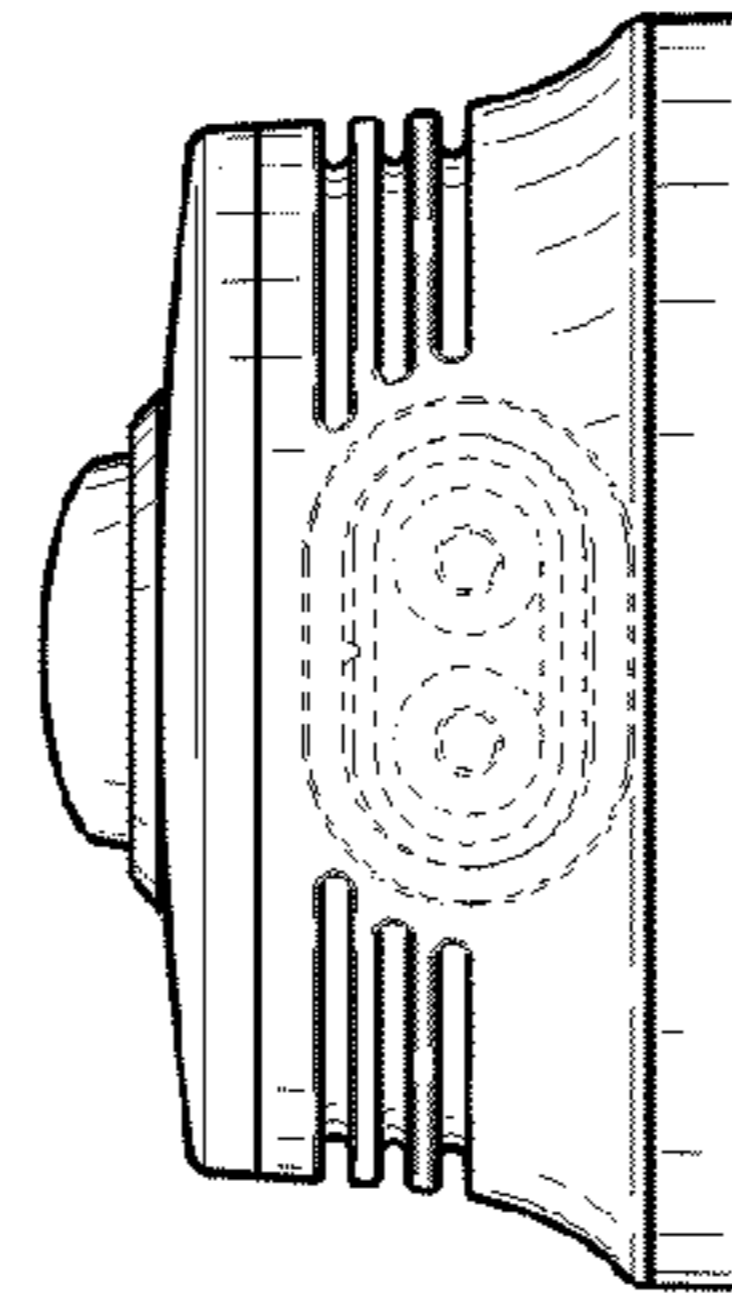


Fig. 5

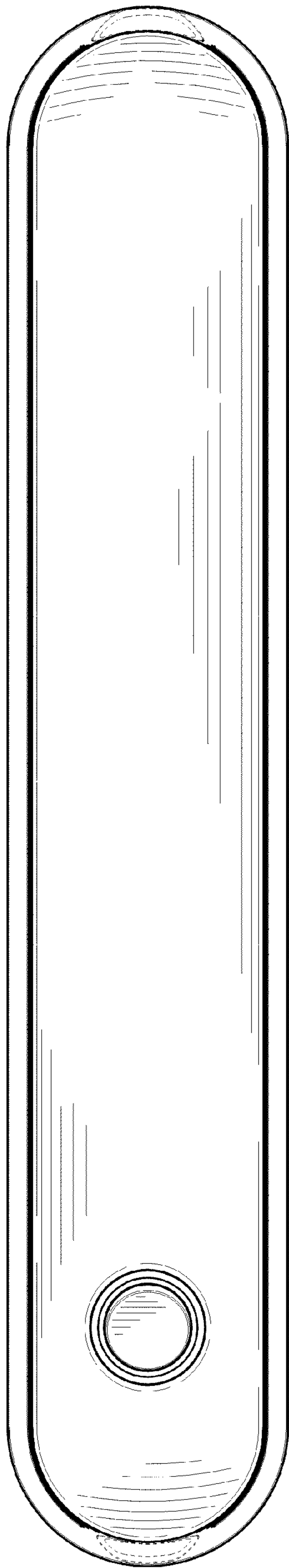


Fig. 6

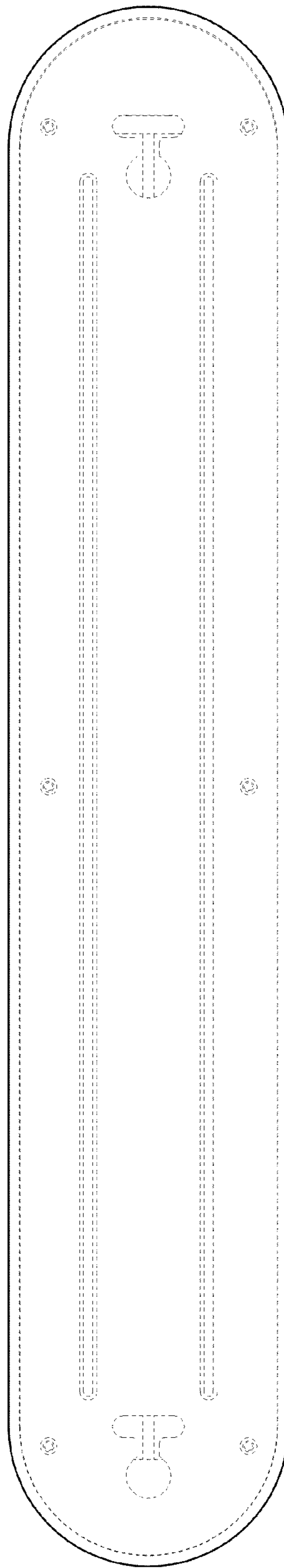


Fig. 7