



US00D650503S

(12) **United States Design Patent**  
**Wang**

(10) **Patent No.:** **US D650,503 S**

(45) **Date of Patent:** **\*\* Dec. 13, 2011**

(54) **FLASHLIGHT**

(75) **Inventor:** **Ching-Hsiang Wang**, Tainan (TW)

(73) **Assignee:** **Day Sun Industrial Corp.**, Tainan (TW)

(\*\*) **Term:** **14 Years**

(21) **Appl. No.:** **29/392,374**

(22) **Filed:** **May 20, 2011**

(51) **LOC (9) Cl.** ..... **26-02**

(52) **U.S. Cl.** ..... **D26/46**

(58) **Field of Classification Search** ..... D26/37,  
D26/38, 39, 46, 49; 362/157, 158, 183, 184,  
362/194-208

See application file for complete search history.

(56) **References Cited**

**U.S. PATENT DOCUMENTS**

D481,816 S	*	11/2003	Sharra et al.	.....	D26/49
D484,627 S	*	12/2003	Mah	.....	D26/49
D601,284 S	*	9/2009	Schonenbach	.....	D26/46
D603,989 S	*	11/2009	Gardner et al.	.....	D26/49
D641,509 S	*	7/2011	Wang	.....	D26/46

D641,510 S	*	7/2011	Wang	.....	D26/46
D641,512 S	*	7/2011	Wang	.....	D26/46
D644,365 S	*	8/2011	Yuen	.....	D26/49

\* cited by examiner

*Primary Examiner* — Ian Simmons

*Assistant Examiner* — Carissa C Fitts

(74) *Attorney, Agent, or Firm* — Alan Kamrath; Kamrath & Associates PA

(57) **CLAIM**

The ornamental design for a flashlight, as shown and described.

**DESCRIPTION**

FIG. 1 is a perspective view of a flashlight showing my new design;

FIG. 2 is a front side elevational view thereof;

FIG. 3 is a rear side elevational view thereof;

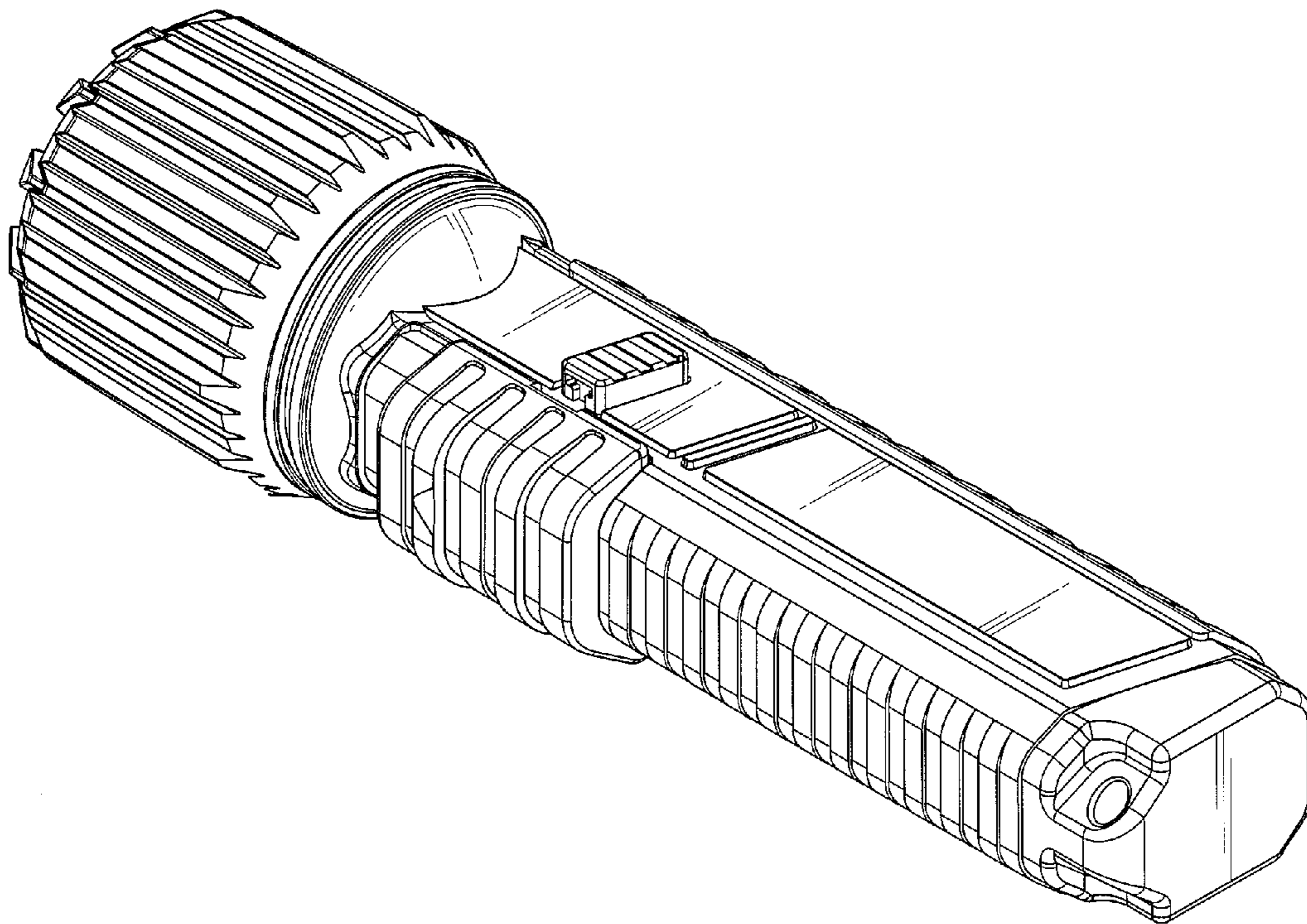
FIG. 4 is a left side elevational view thereof;

FIG. 5 is a right side elevational view thereof;

FIG. 6 is a top plan view thereof; and,

FIG. 7 is a bottom plan view thereof.

**1 Claim, 4 Drawing Sheets**



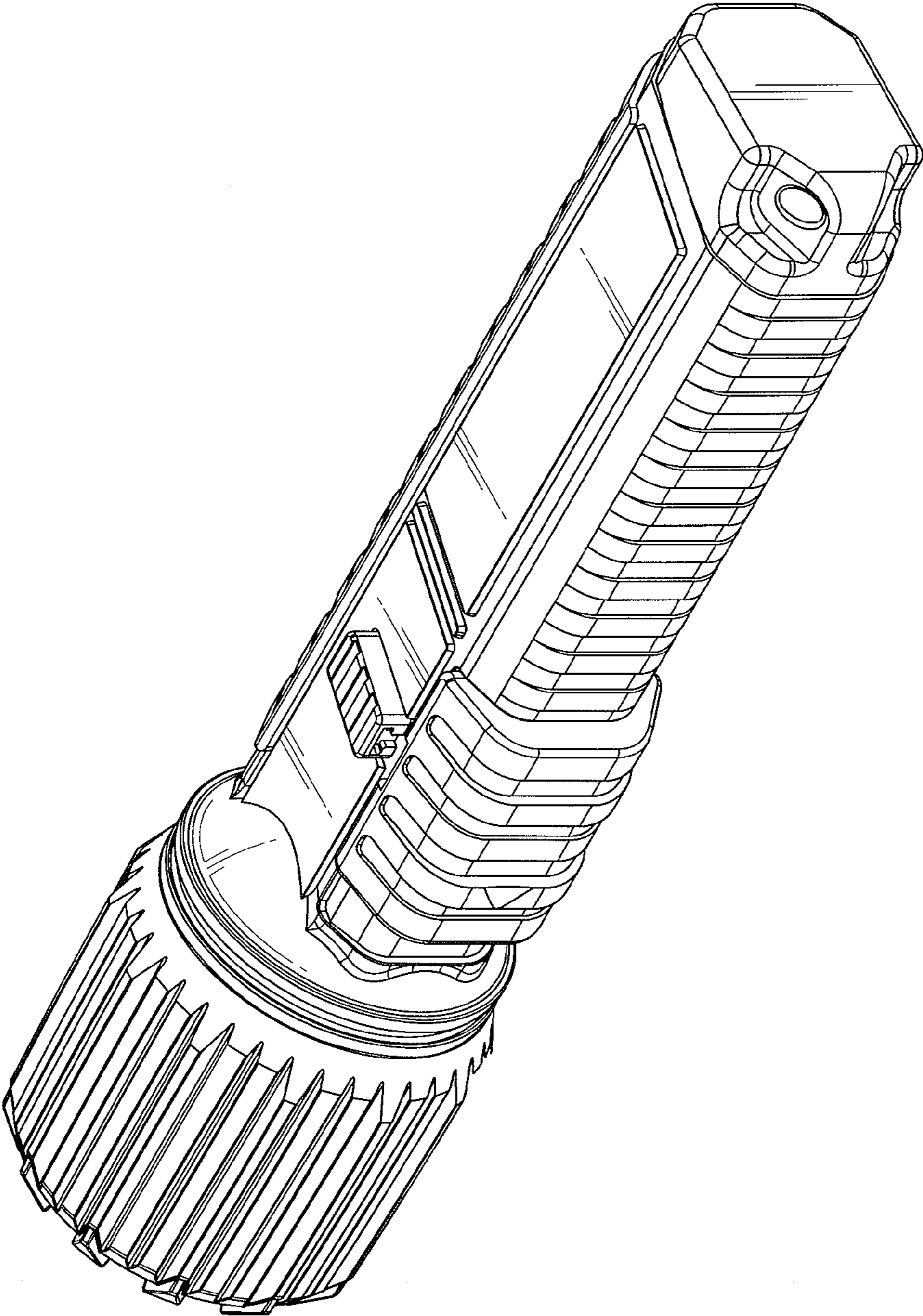


FIG. 1

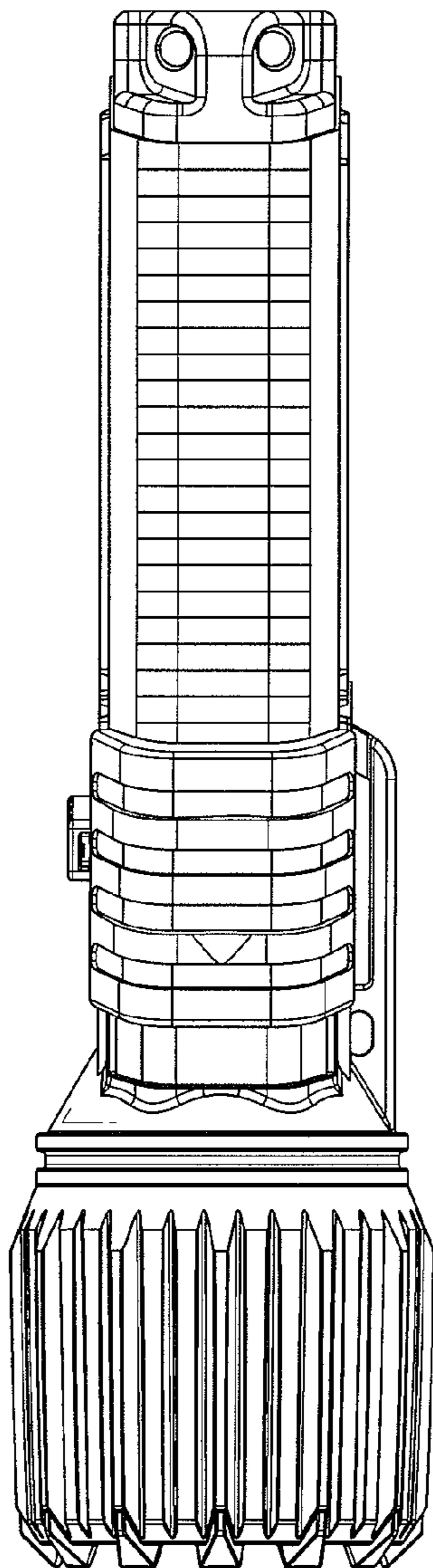


FIG. 2

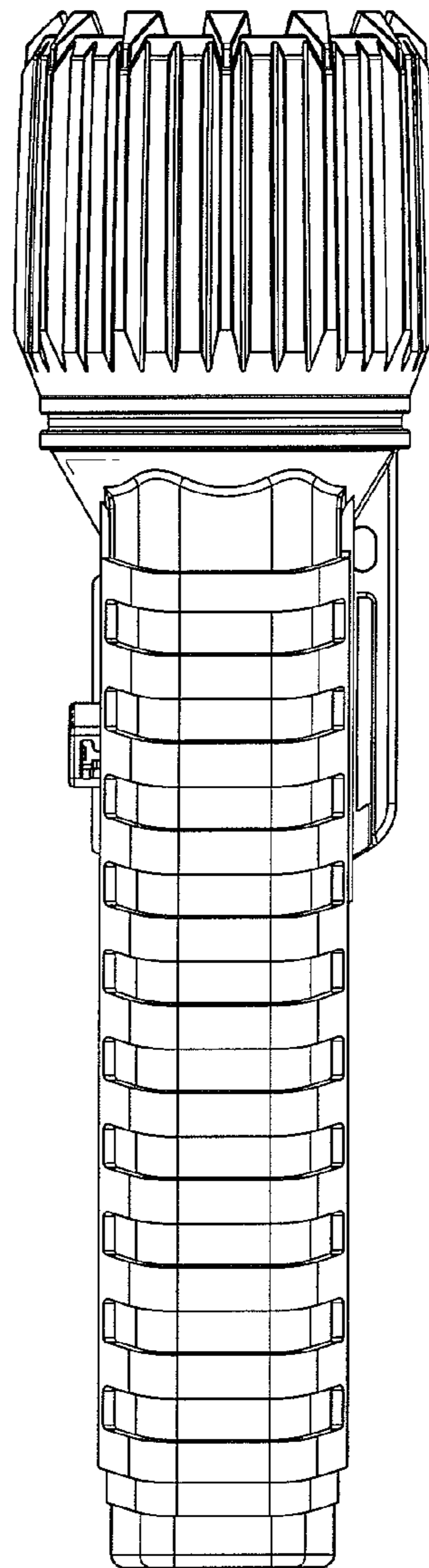


FIG. 3

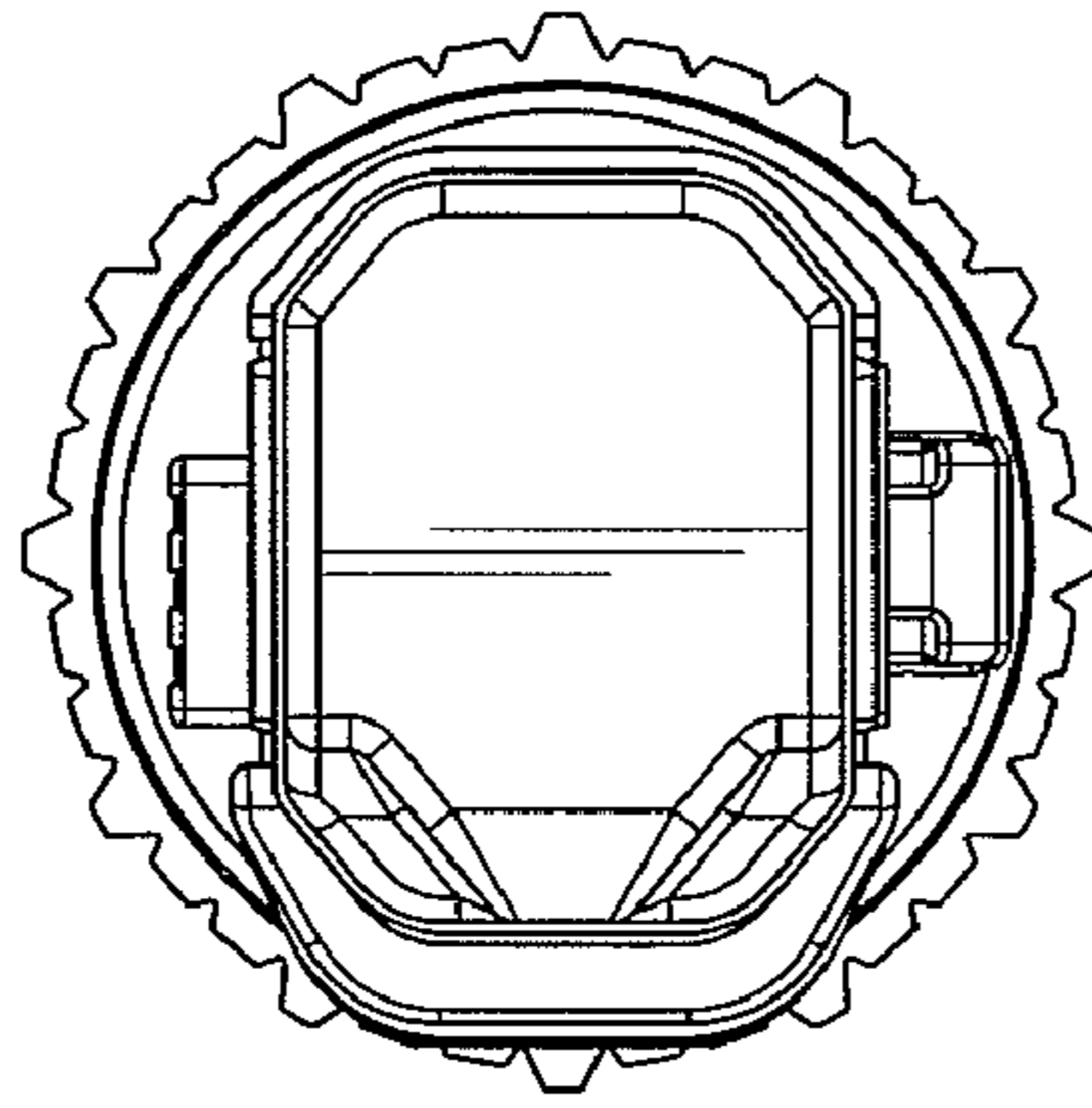


FIG. 5

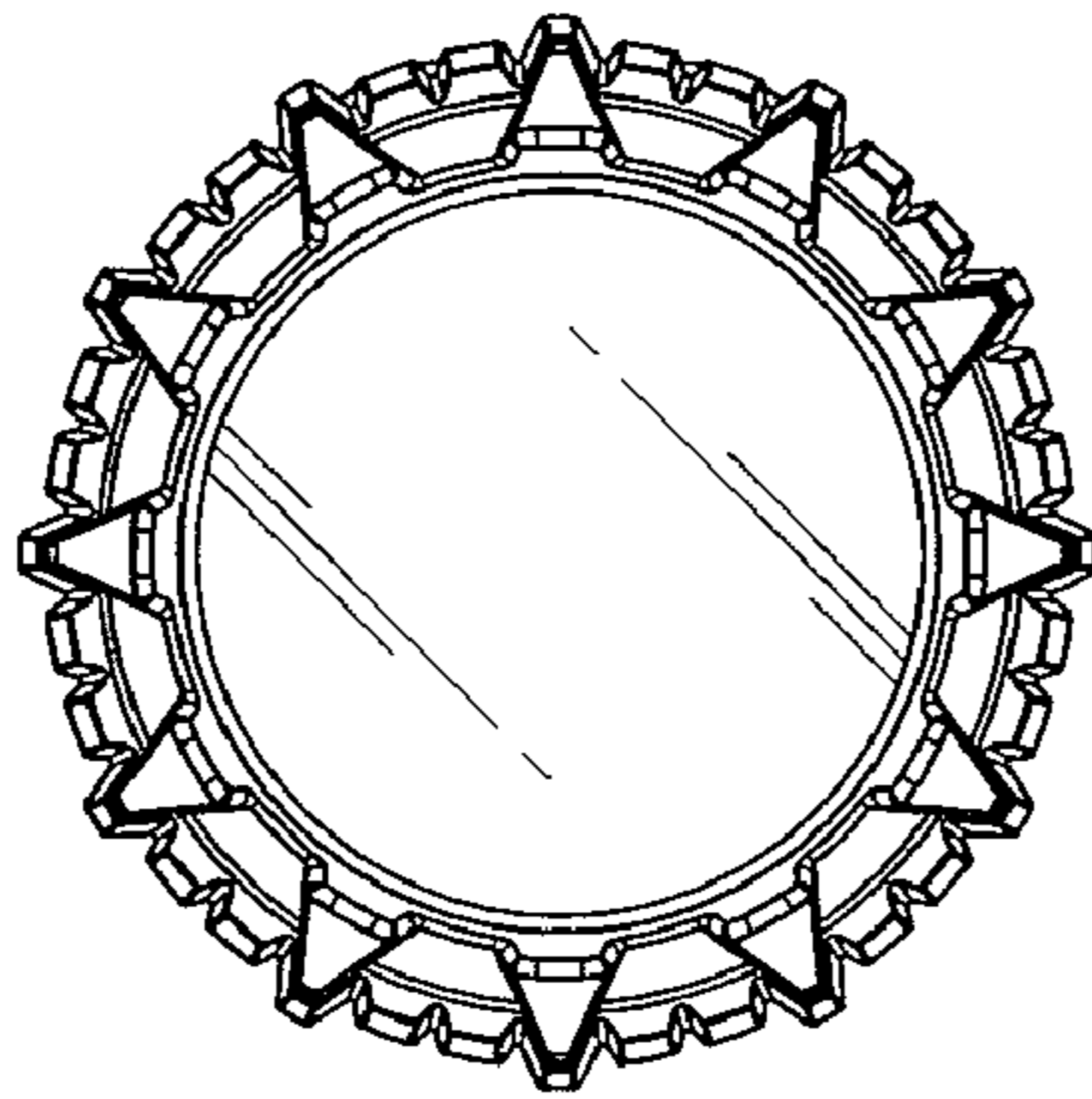


FIG. 4

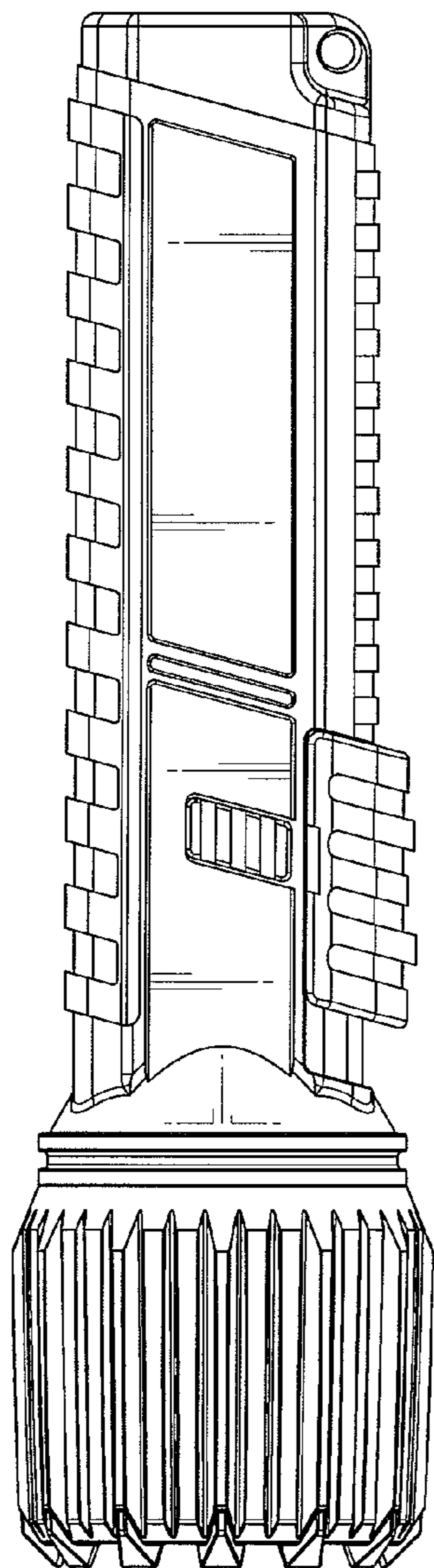


FIG. 6

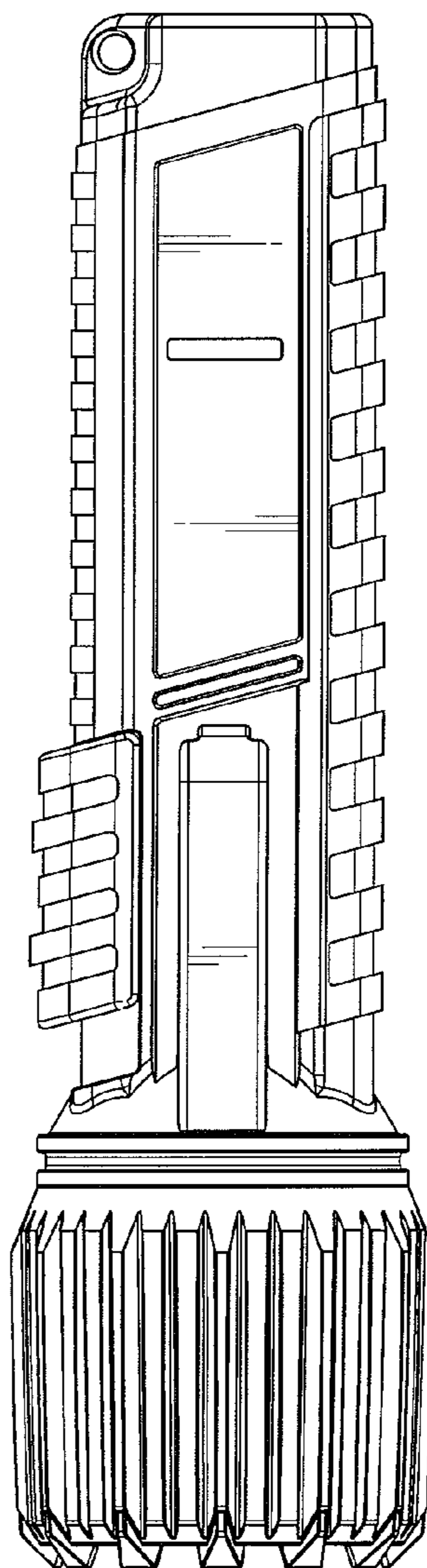


FIG. 7