



US00D650502S

(12) **United States Design Patent**  
**Pfeiffer et al.**

(10) **Patent No.:** **US D650,502 S**

(45) **Date of Patent:** **\*\* Dec. 13, 2011**

(54) **HEADLIGHT FOR A VEHICLE**

(75) Inventors: **Peter Pfeiffer**, Boeblingen (DE);  
**Karlheinz Bauer**, Esslingen (DE);  
**Juergen Bollmann**, Schoenberg (DE);  
**Gorden Wagener**, Irvine, CA (US)

(73) Assignee: **Daimler AG**, Stuttgart (DE)

(\*\*) Term: **14 Years**

(21) Appl. No.: **29/396,995**

(22) Filed: **Jul. 11, 2011**

**Related U.S. Application Data**

(62) Division of application No. 29/324,437, filed on Sep. 12, 2008, now Pat. No. Des. 645,178.

(51) **LOC (9) Cl.** ..... **26-06**

(52) **U.S. Cl.** ..... **D26/28**

(58) **Field of Classification Search** ..... D26/28-36;  
362/459-468, 475-478, 485-487  
See application file for complete search history.

(56) **References Cited**

**U.S. PATENT DOCUMENTS**

D550,383 S 9/2007 Asai  
D556,349 S 11/2007 Golden et al.  
D560,291 S \* 1/2008 Koyama ..... D26/28

D560,832 S \* 1/2008 Hsu ..... D26/28  
D561,358 S \* 2/2008 Tachibana ..... D26/28  
D563,576 S \* 3/2008 Hanaoka ..... D26/28  
D592,769 S \* 5/2009 Bauer et al. .... D26/28  
D596,078 S 7/2009 Pfeiffer et al.

\* cited by examiner

*Primary Examiner* — Marcus Jackson

(74) *Attorney, Agent, or Firm* — Crowell & Moring LLP

(57) **CLAIM**

The ornamental design for a headlight for a vehicle, as shown and described.

**DESCRIPTION**

FIG. 1 is a perspective view of a first embodiment of a headlight for a vehicle according to our design;

FIG. 2 is a front view thereof;

FIG. 3 is a side view thereof; and

FIG. 4 is a top view thereof.

FIG. 5 is a perspective view of a second embodiment of the headlight for a vehicle according to our design, with the headlight for a vehicle for the opposite side of the vehicle being depicted in the first embodiment;

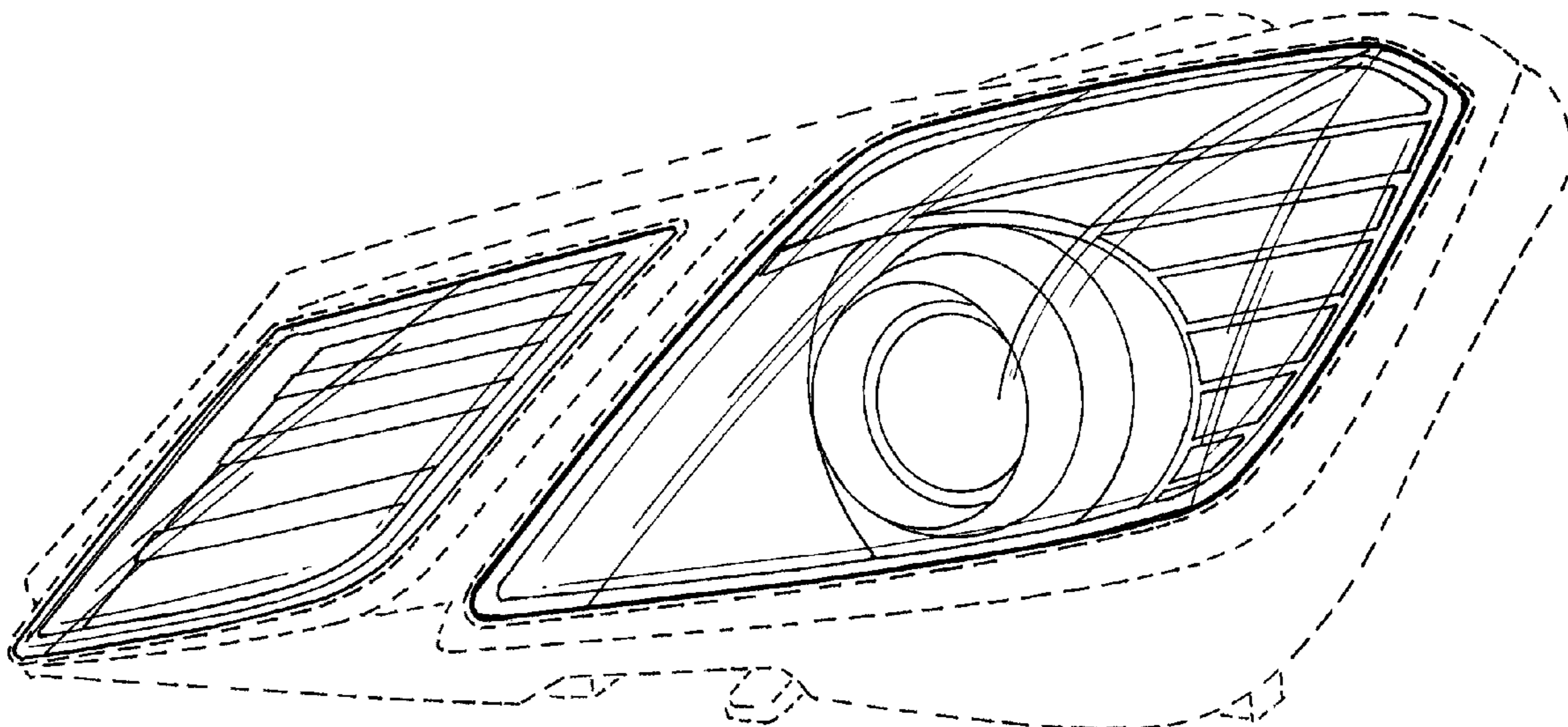
FIG. 6 is a front view thereof;

FIG. 7 is a side view thereof; and,

FIG. 8 is a top view thereof.

The broken lines are for illustrative purposes only and form no part of the claimed design.

**1 Claim, 8 Drawing Sheets**



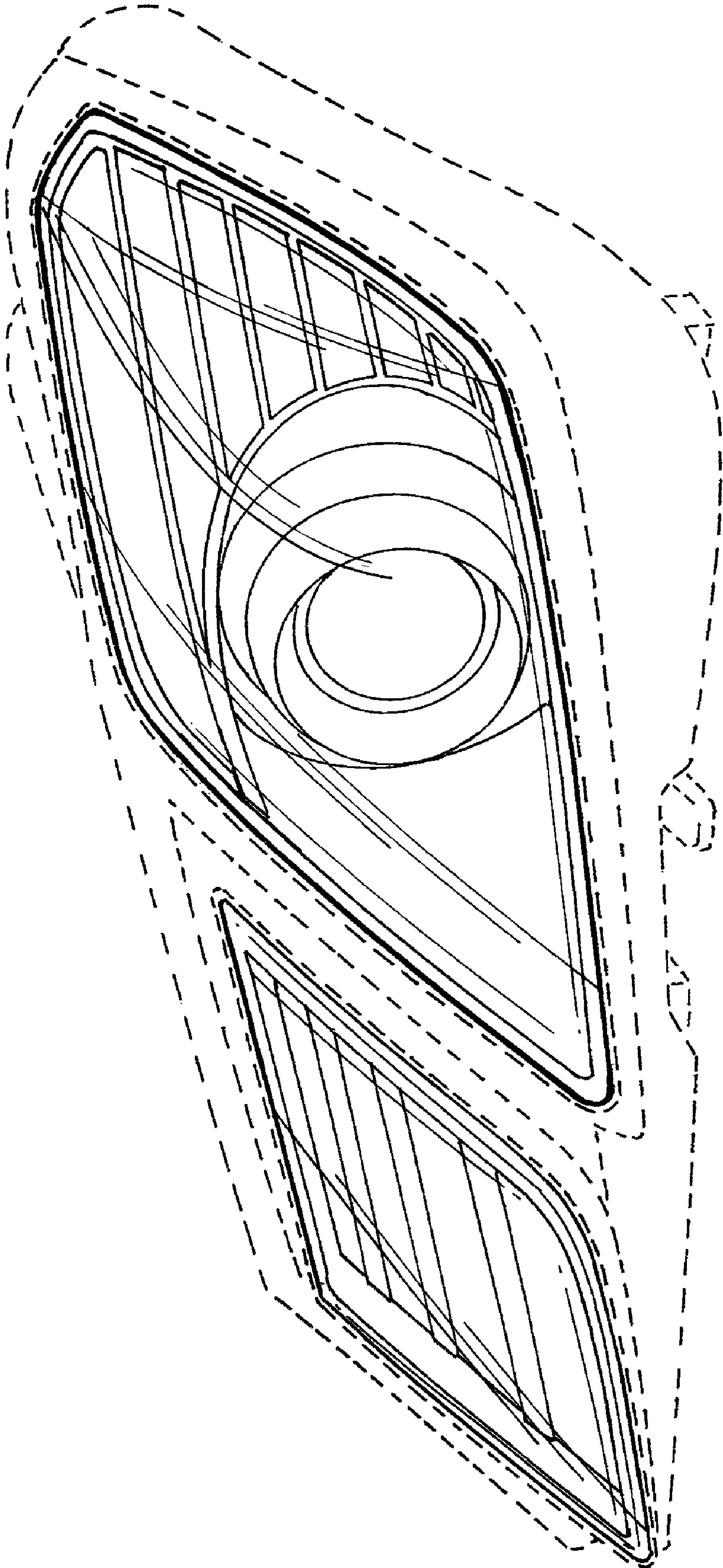


FIG. 1

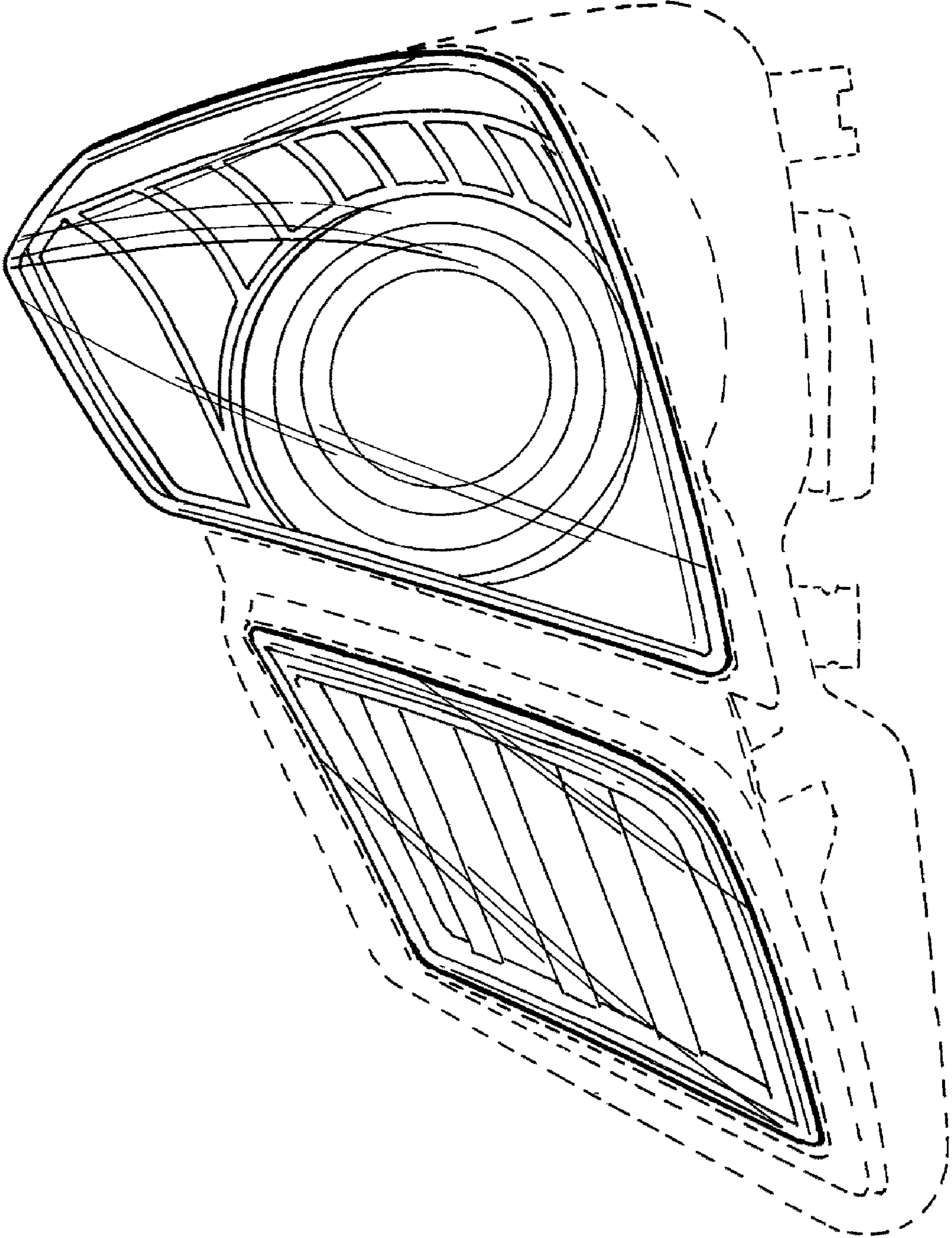
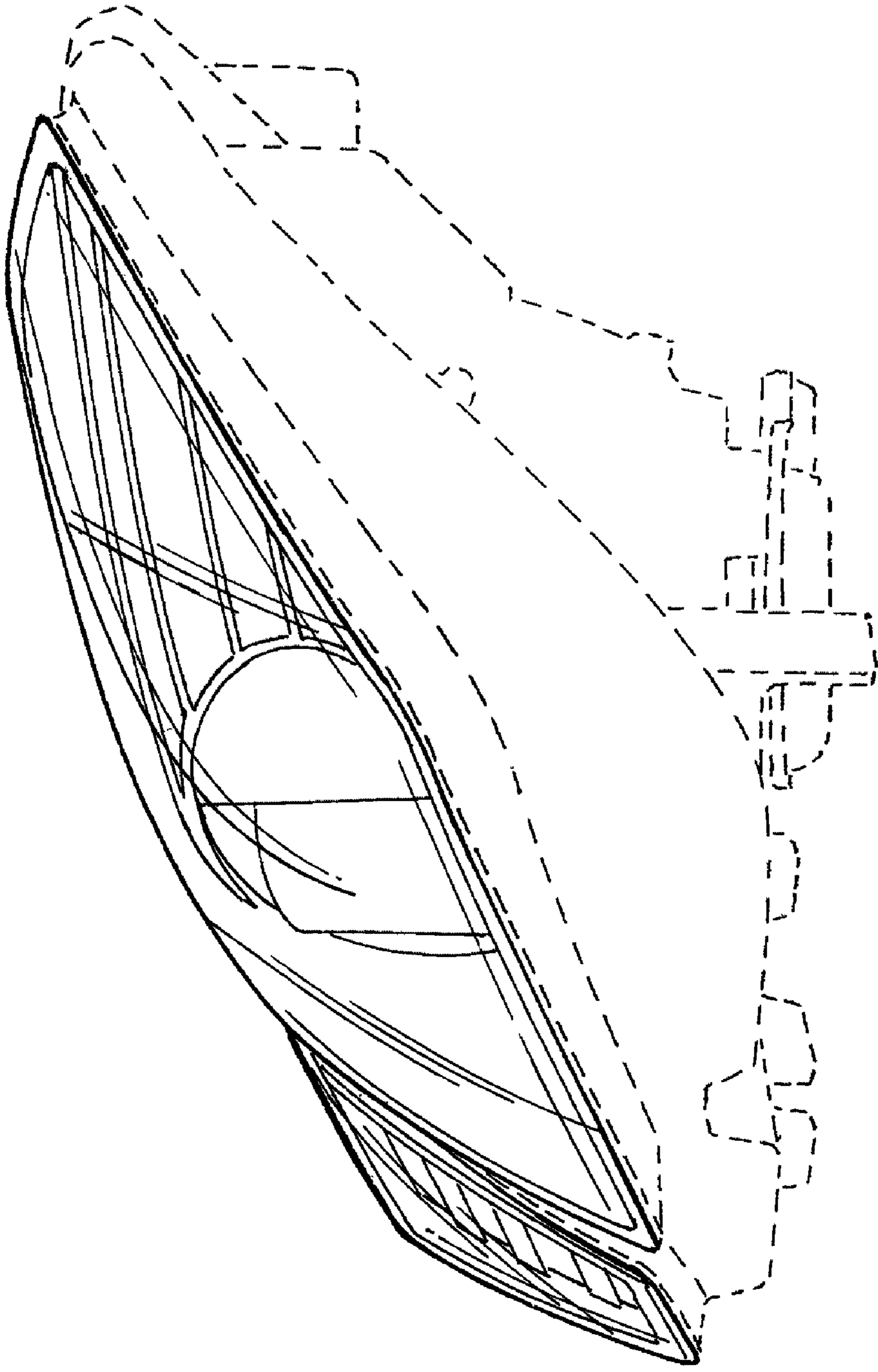


FIG. 2





**FIG. 3**

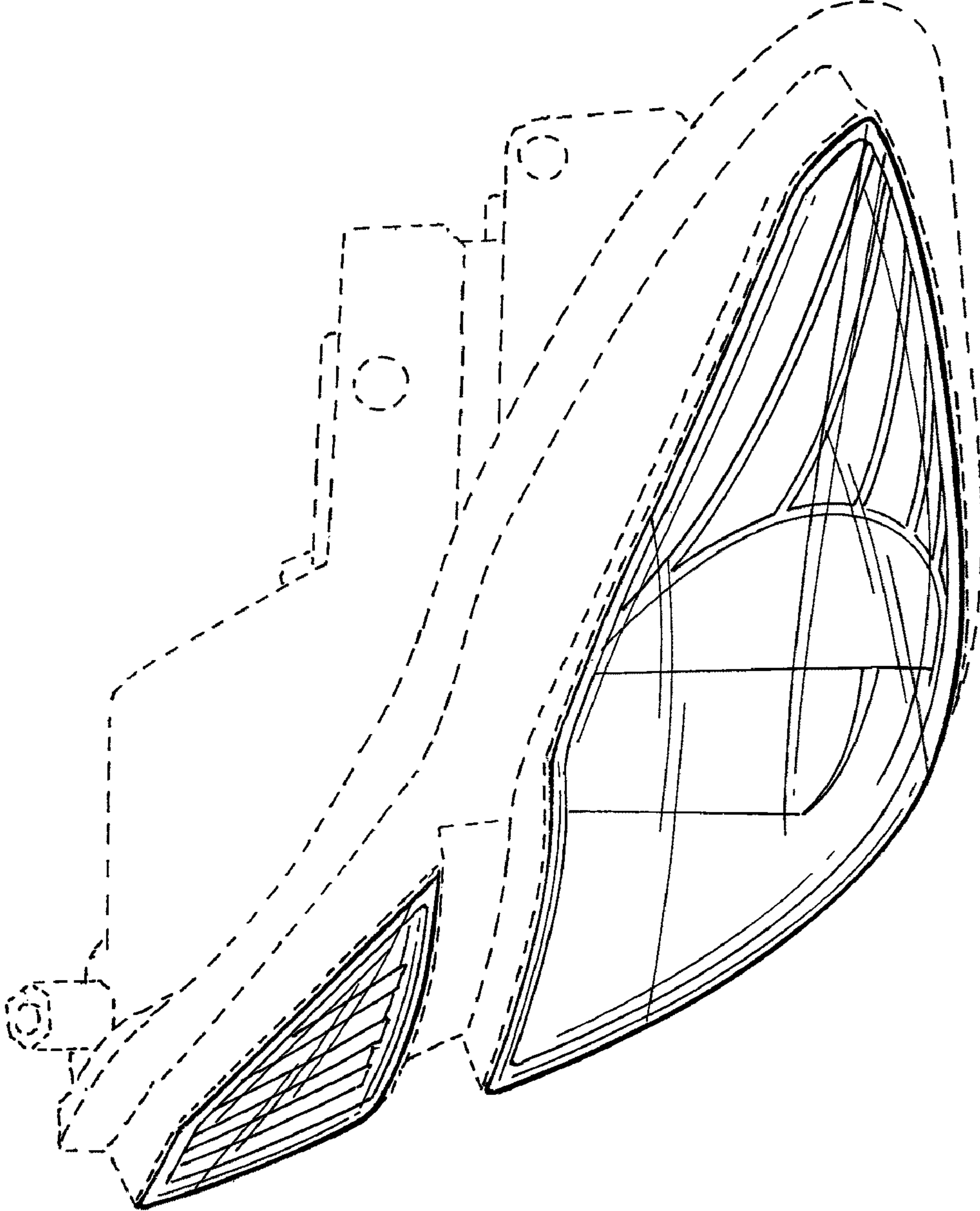


FIG. 4

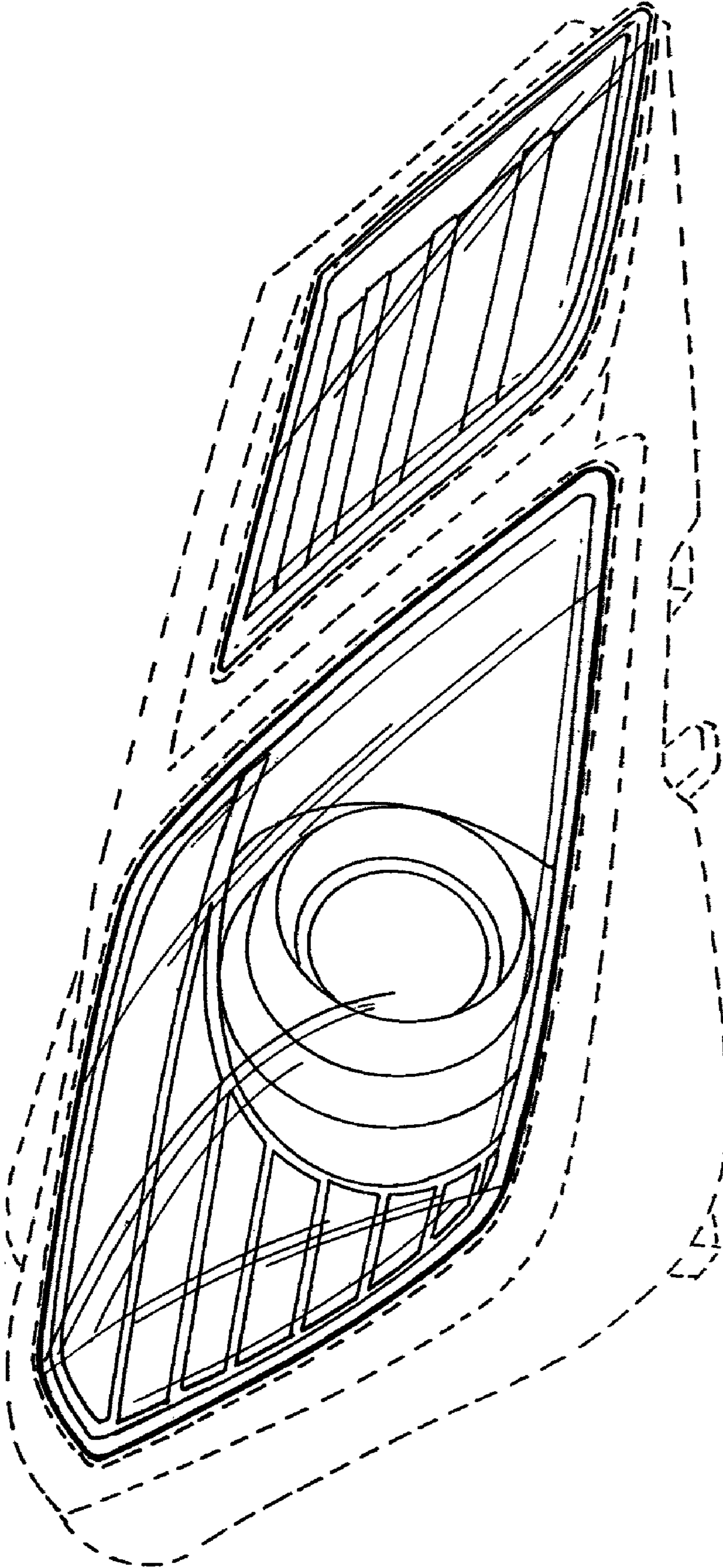


FIG. 5

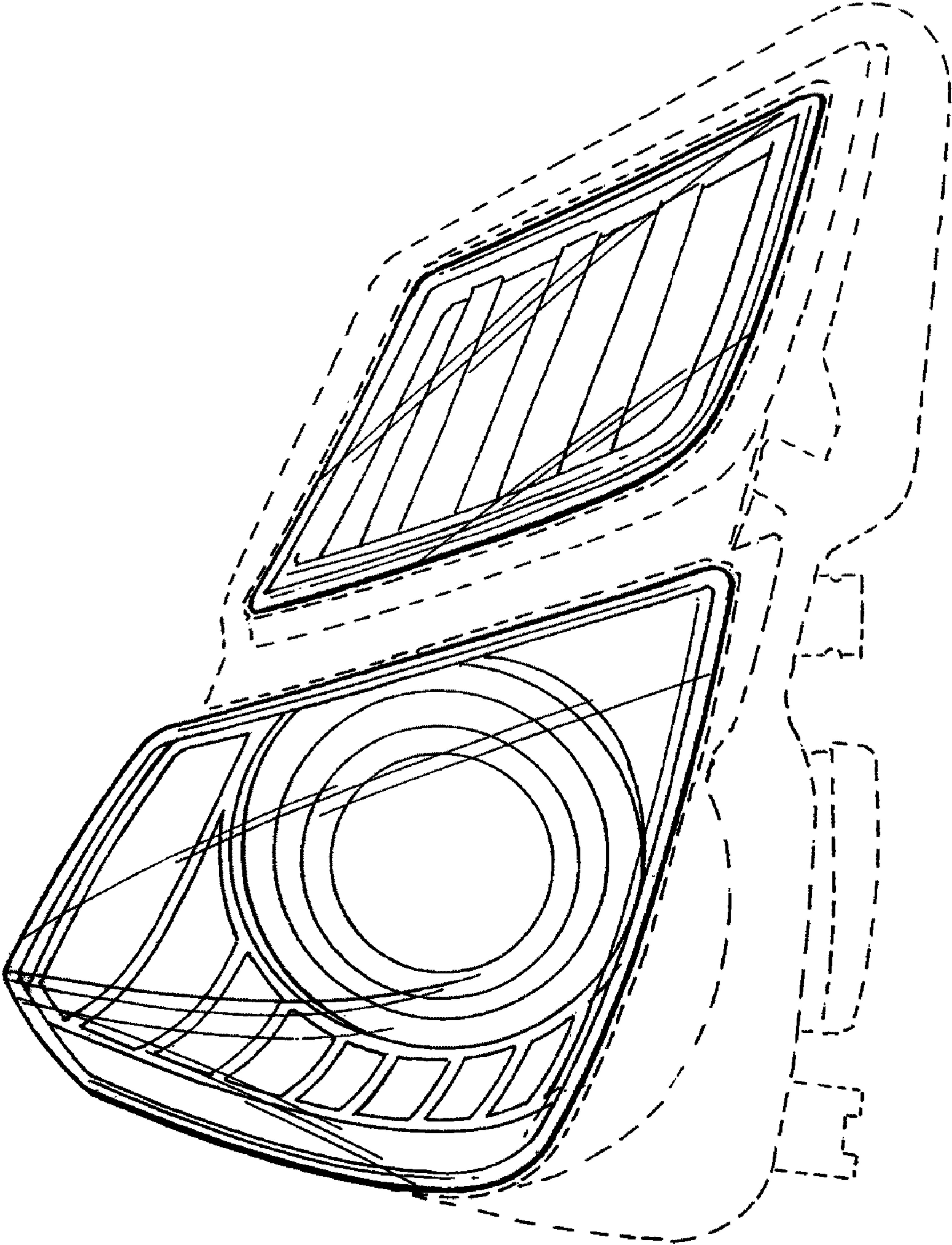
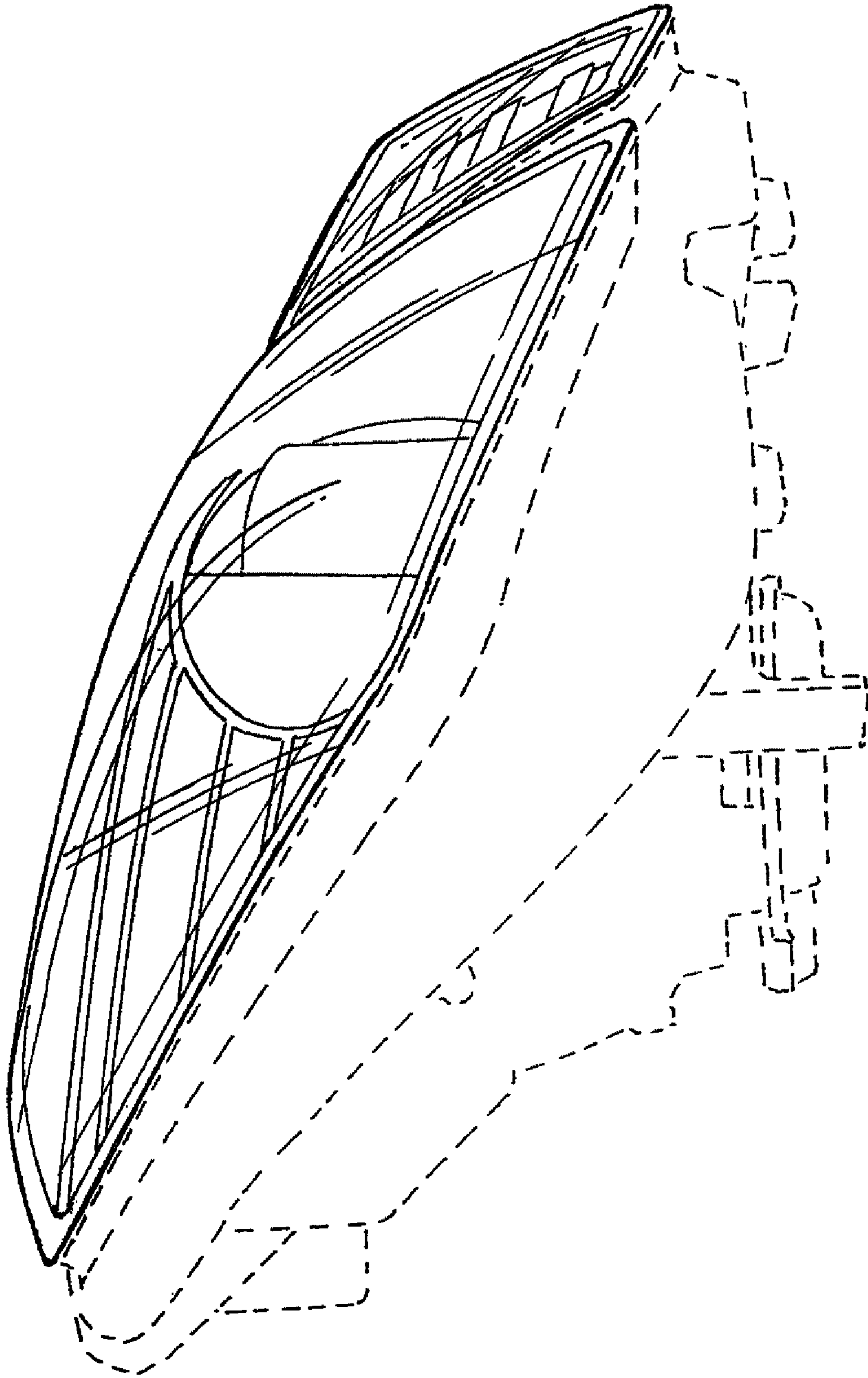


FIG. 6





**FIG. 7**



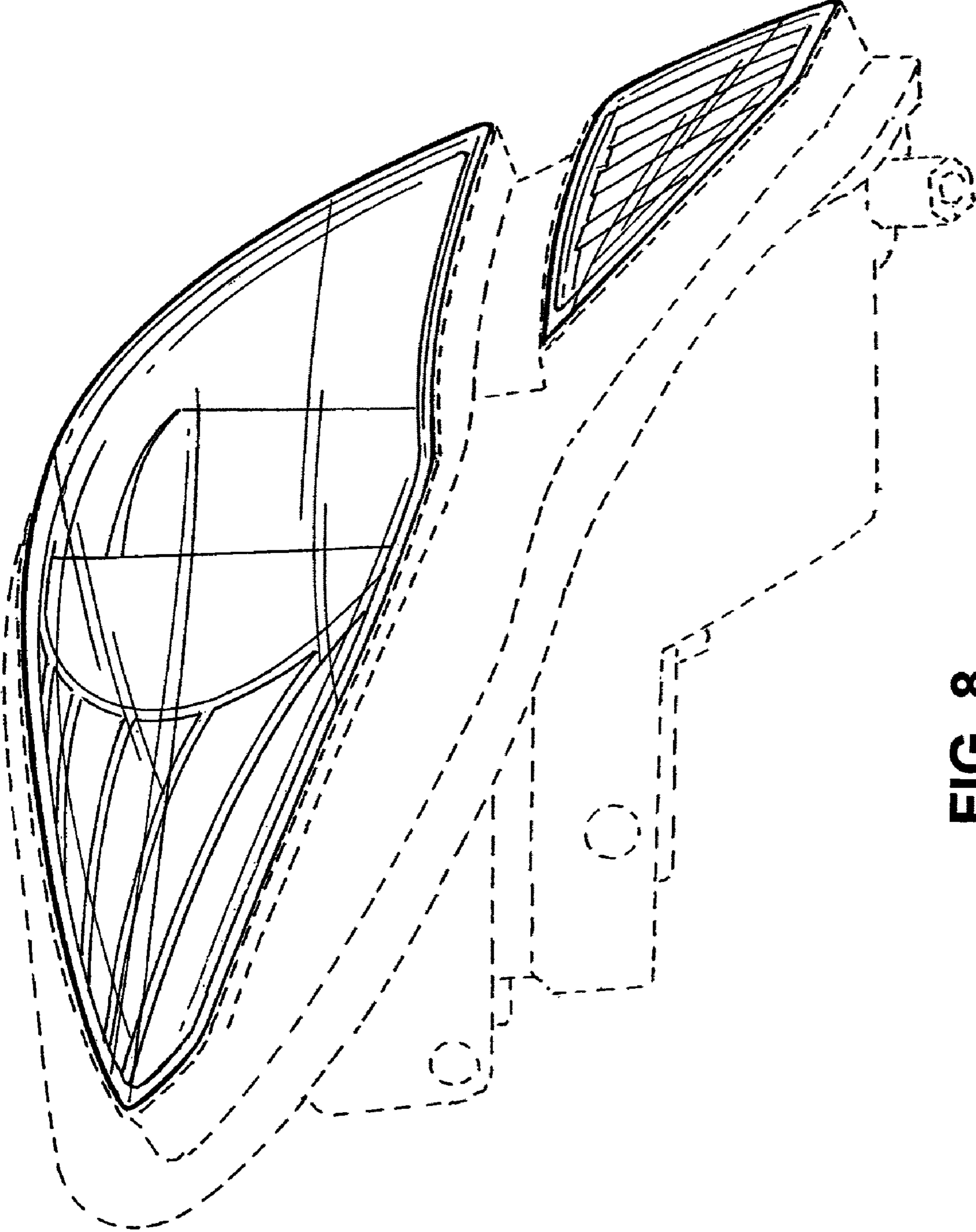


FIG. 8