



US00D650500S

(12) **United States Design Patent**
Futschik et al.

(10) **Patent No.:** **US D650,500 S**

(45) **Date of Patent:** **** Dec. 13, 2011**

(54) **HEADLIGHT FOR A VEHICLE**

(56) **References Cited**

(75) Inventors: **Hans-Dieter Futschik**, Gechingen (DE);
Jaroslav Hejtmanek, Moetzingen (DE);
Steffen Koehl, Stuttgart (DE); **Frank**
Pfisterer, Weil der Stadt (DE); **Gorden**
Wagener, Stuttgart (DE)

U.S. PATENT DOCUMENTS

D550,383	S	*	9/2007	Asai	D26/28
D556,349	S	*	11/2007	Golden et al.	D26/28
D560,291	S	*	1/2008	Koyama	D26/28
D561,358	S	*	2/2008	Tachibana	D26/28
D634,678	S		3/2011	Futschik et al.		
D634,867	S	*	3/2011	Frenzel et al.	D26/28
D635,059	S		3/2011	Futschik et al.		

(73) Assignee: **Daimler AG**, Stuttgart (DE)

* cited by examiner

(**) Term: **14 Years**

Primary Examiner — Marcus Jackson

(74) *Attorney, Agent, or Firm* — Crowell & Moring LLP

(21) Appl. No.: **29/394,828**

(57) **CLAIM**

The ornamental design for a headlight for a vehicle, as shown and described.

(22) Filed: **Jun. 22, 2011**

DESCRIPTION

Related U.S. Application Data

(62) Division of application No. 29/311,115, filed on Dec. 23, 2008.

FIG. 1 is a perspective view of a first embodiment of a headlight for a vehicle according to our design;
FIG. 2 is a front view thereof;
FIG. 3 is a side view thereof; and
FIG. 4 is a top view thereof.

Foreign Application Priority Data

(30) Jul. 2, 2008 (DE) 402008003150

FIG. 5 is a perspective view of a second embodiment of the headlight for a vehicle according to our design, with the headlight for a vehicle for the opposite side of the vehicle being depicted in the first embodiment;

(51) **LOC (9) Cl.** **26-06**

FIG. 6 is a front view thereof;

(52) **U.S. Cl.** **D26/28**

FIG. 7 is a side view thereof; and,

(58) **Field of Classification Search** D26/28-36;

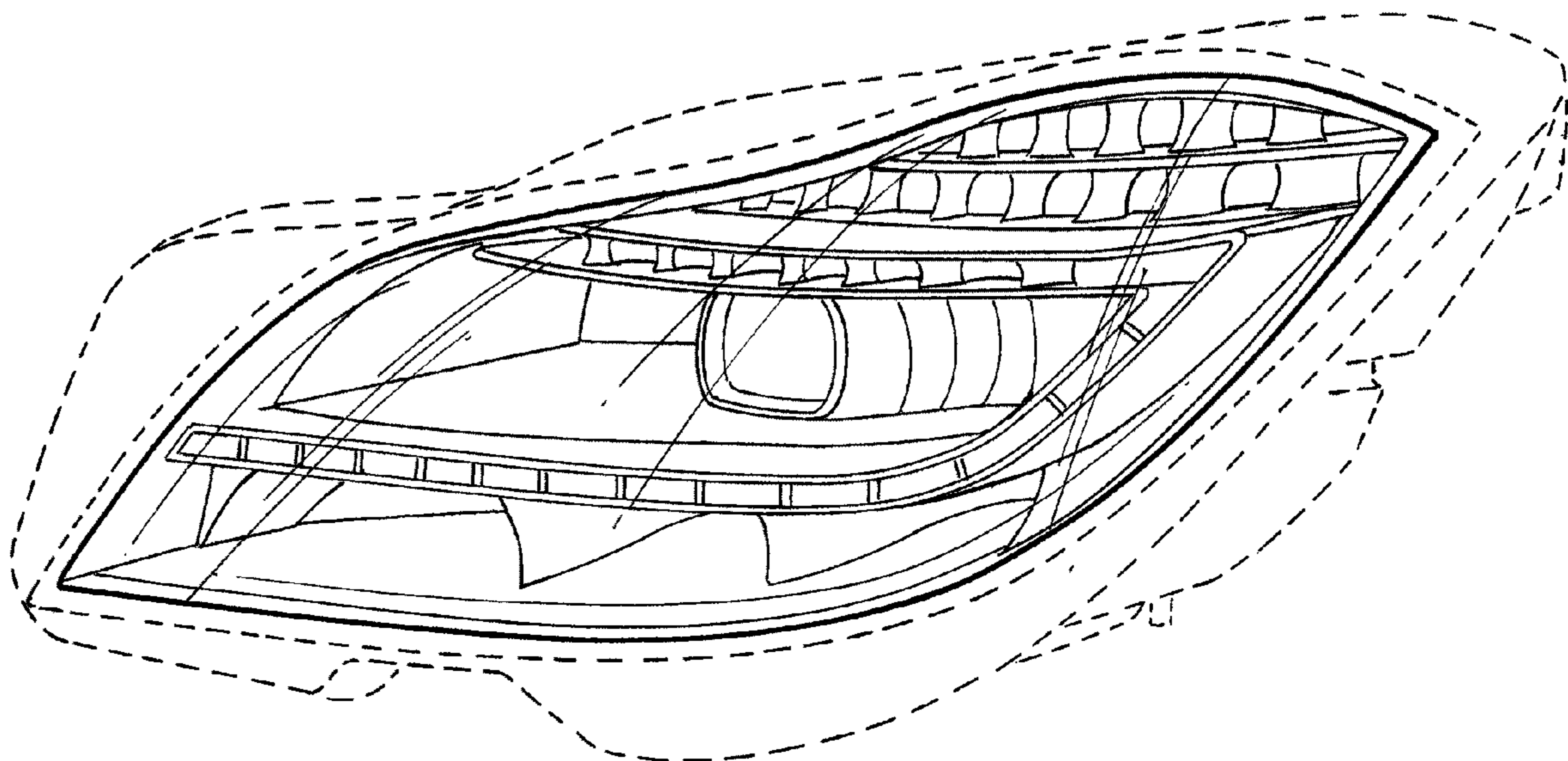
FIG. 8 is a top view thereof.

362/459-468, 475-478, 485-487

The broken lines are for illustrative purposes only and form no part of the claimed design.

See application file for complete search history.

1 Claim, 6 Drawing Sheets



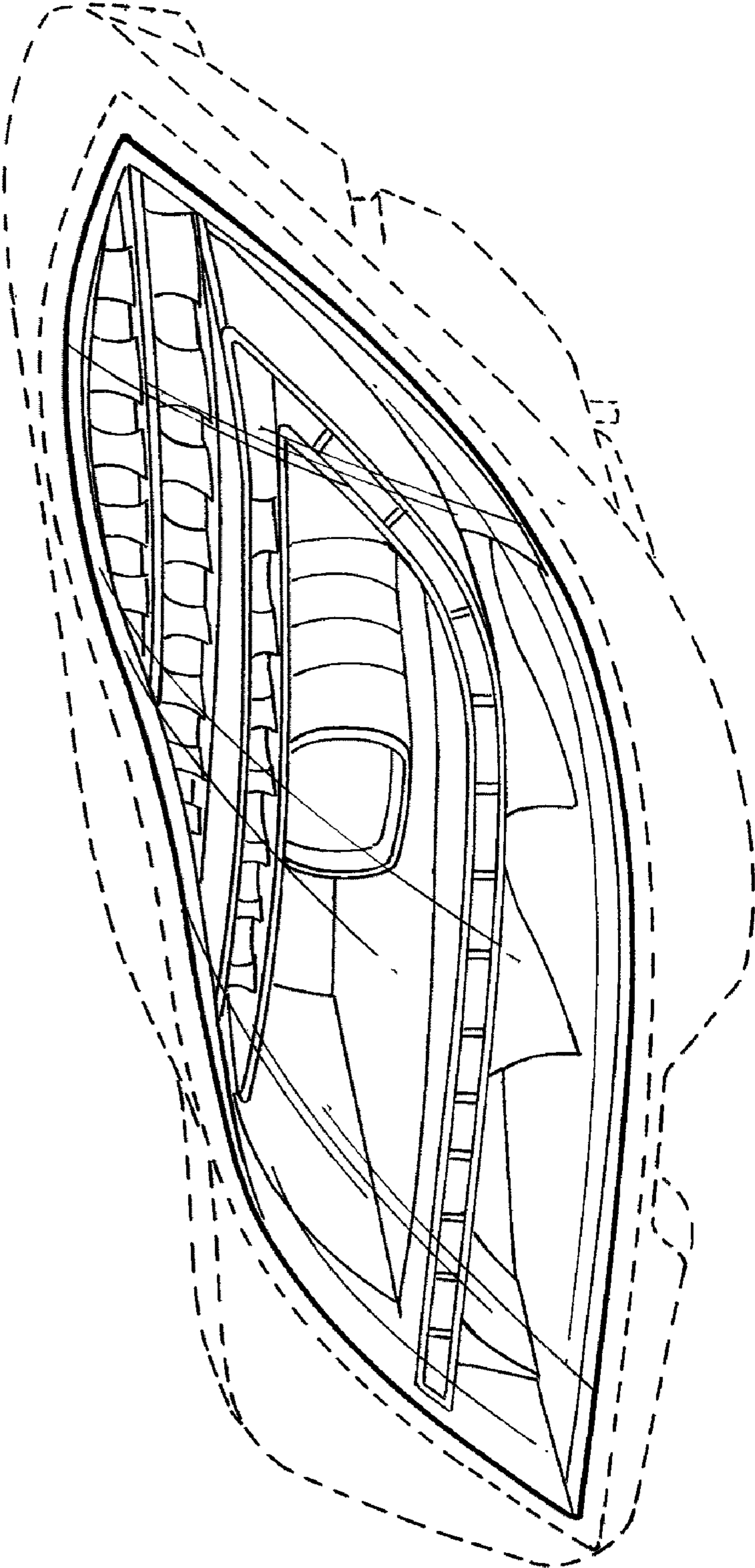


FIG. 1

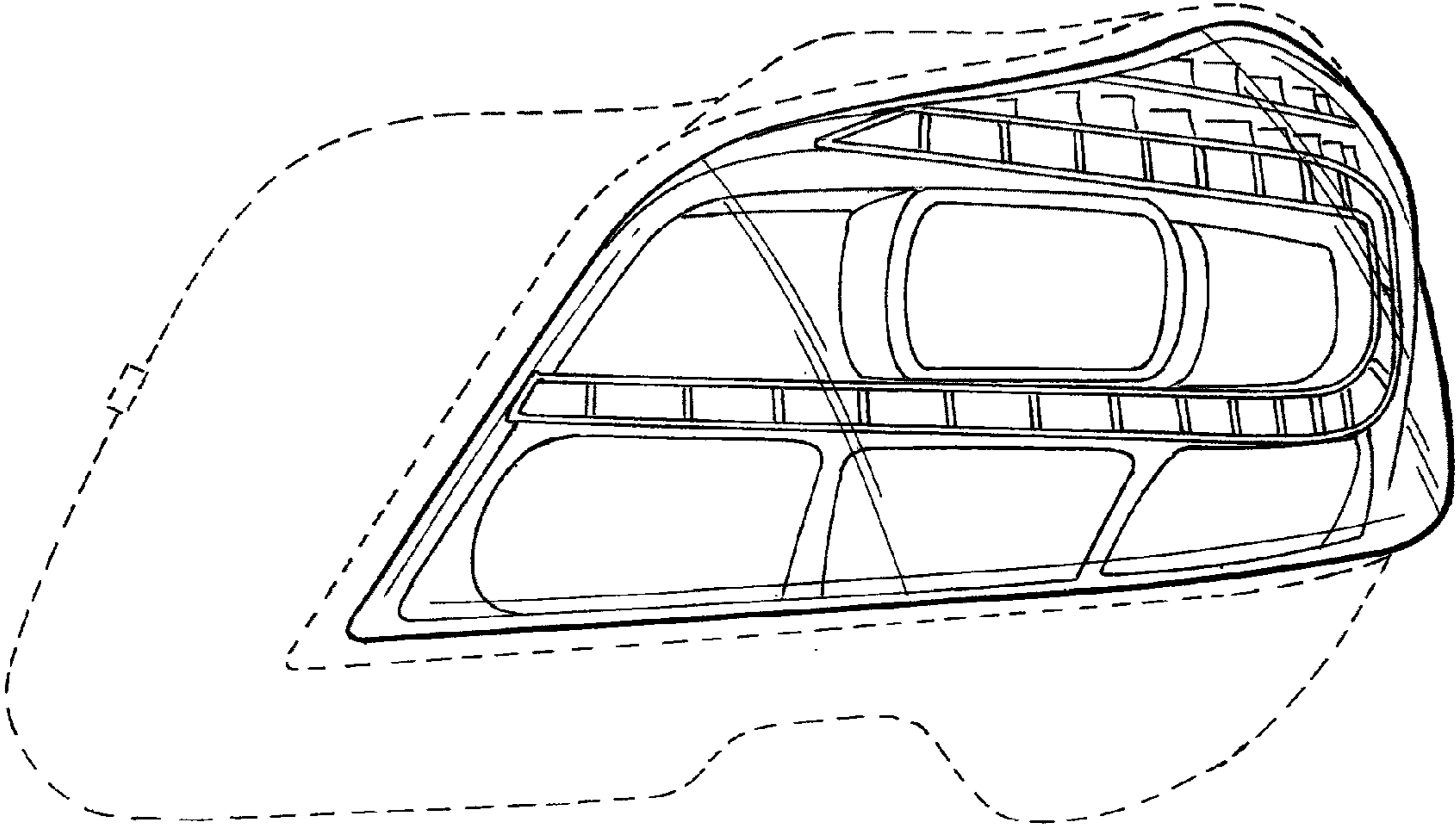


FIG. 2

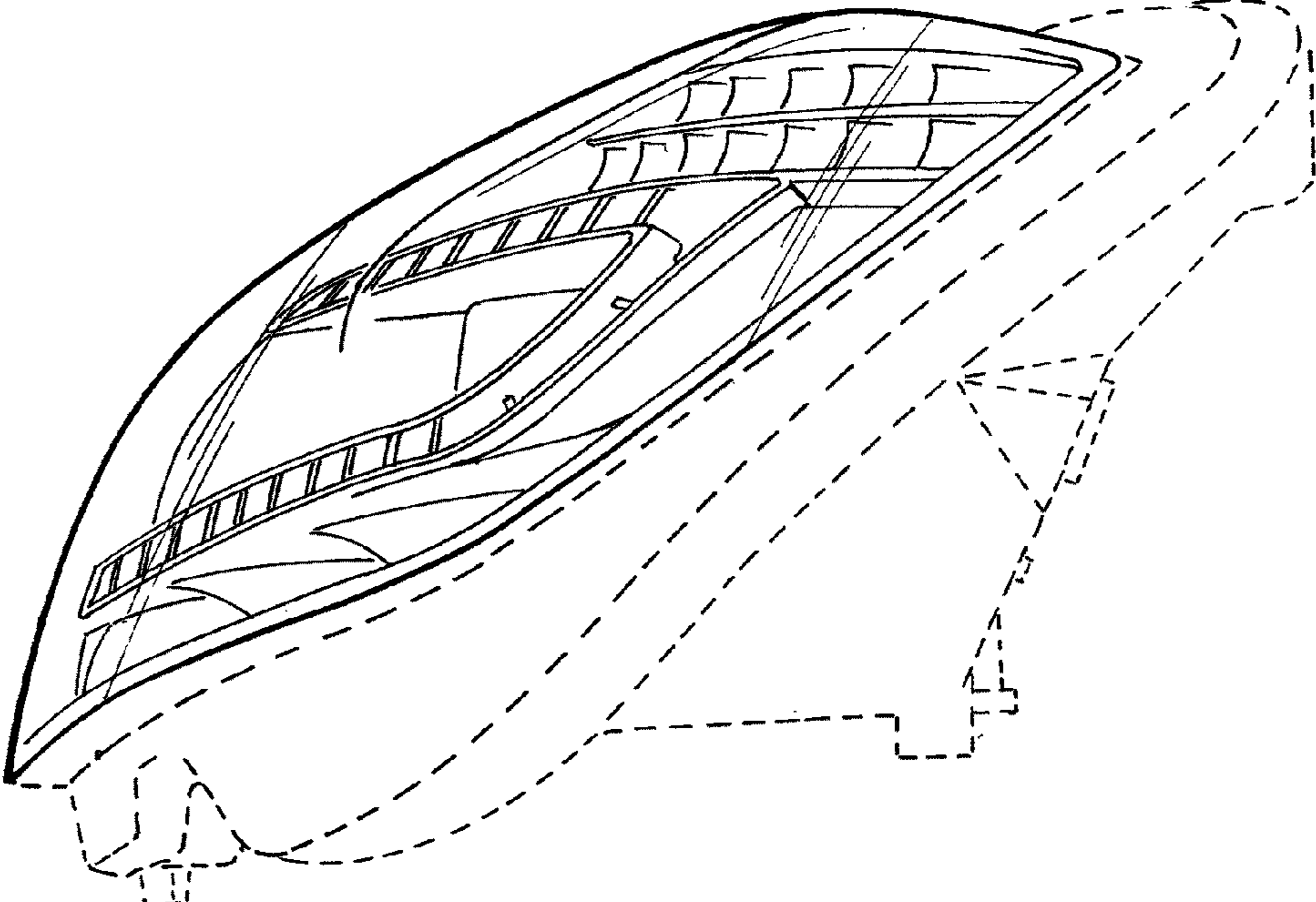


FIG. 3

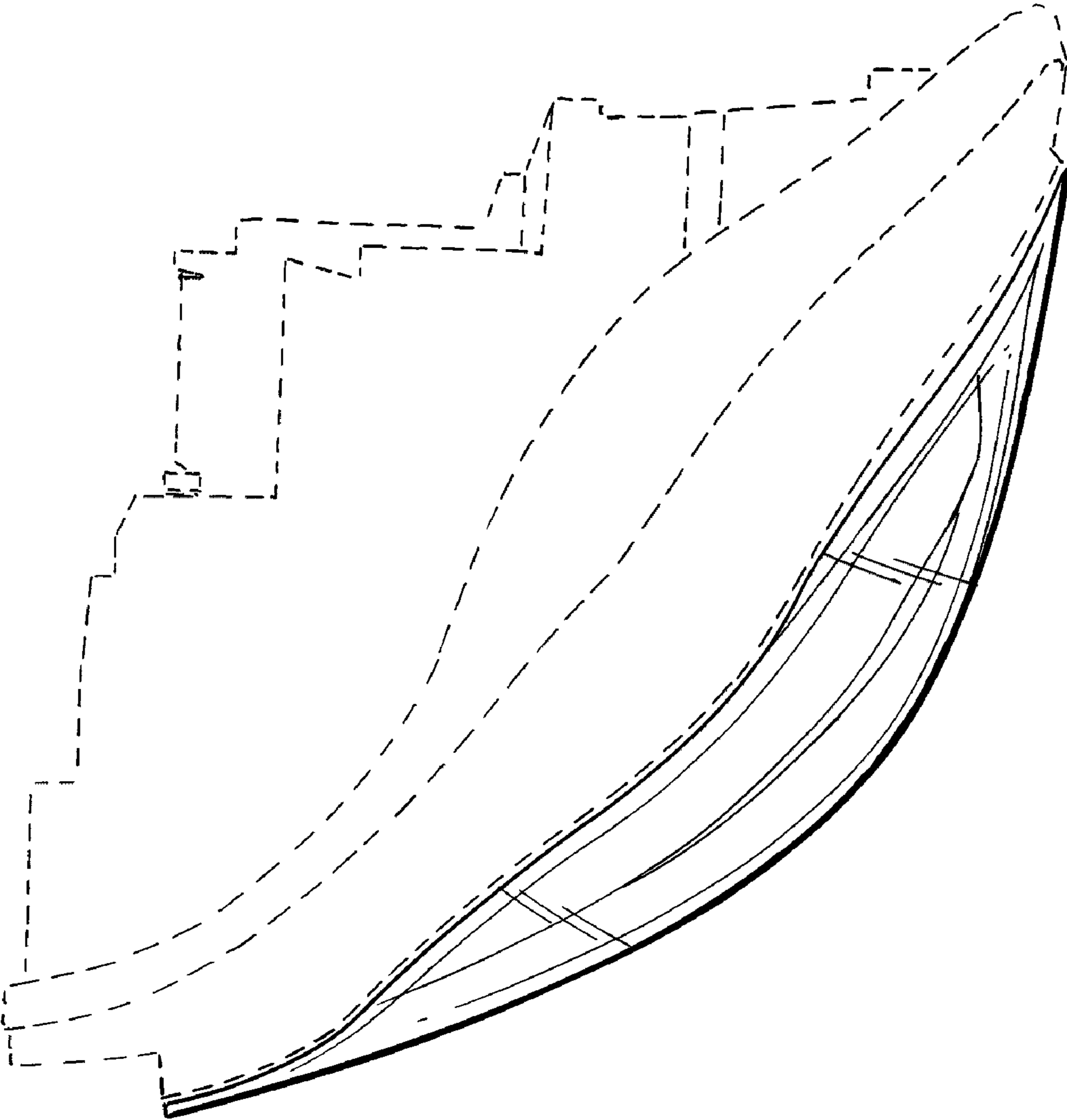


FIG. 4

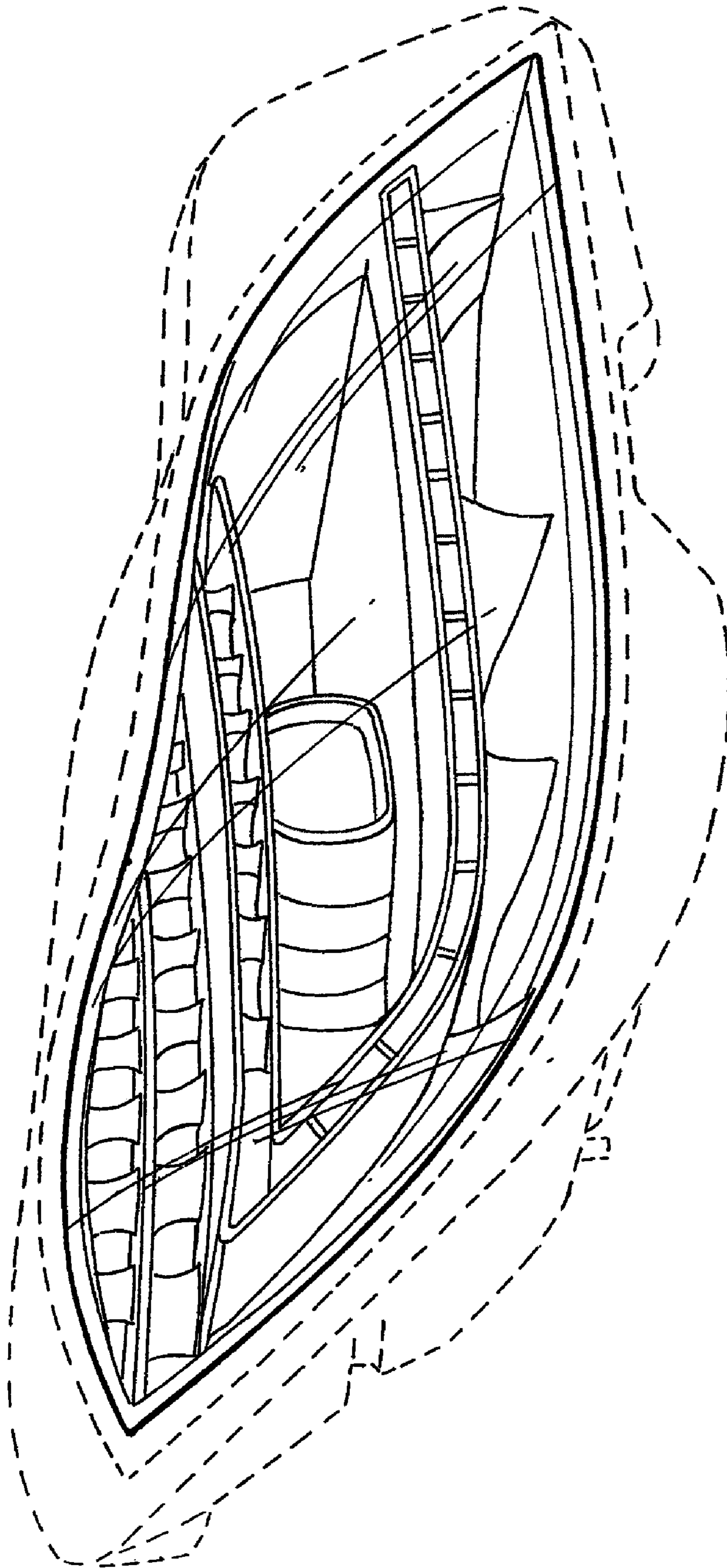


FIG. 5

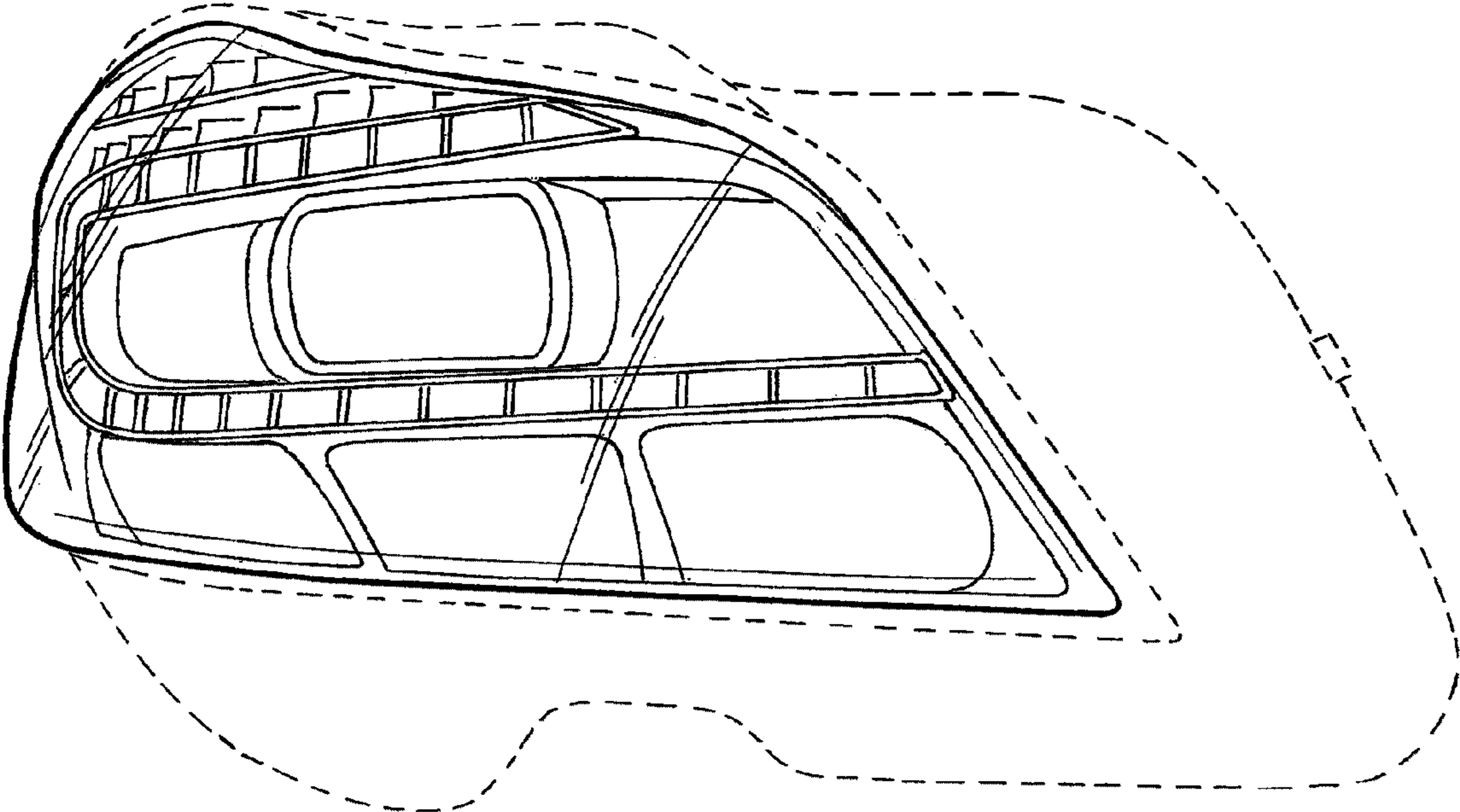


FIG. 6

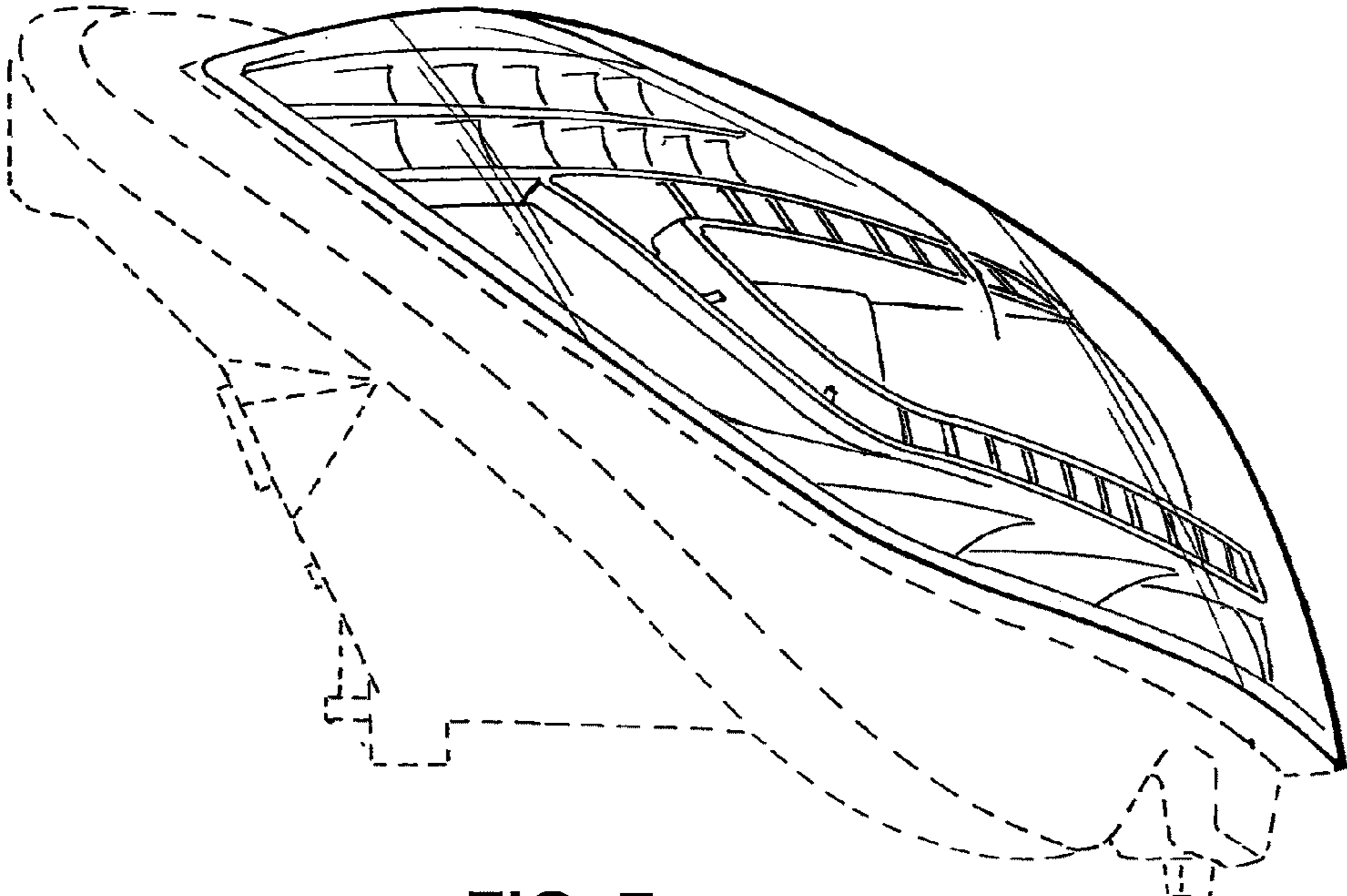


FIG. 7

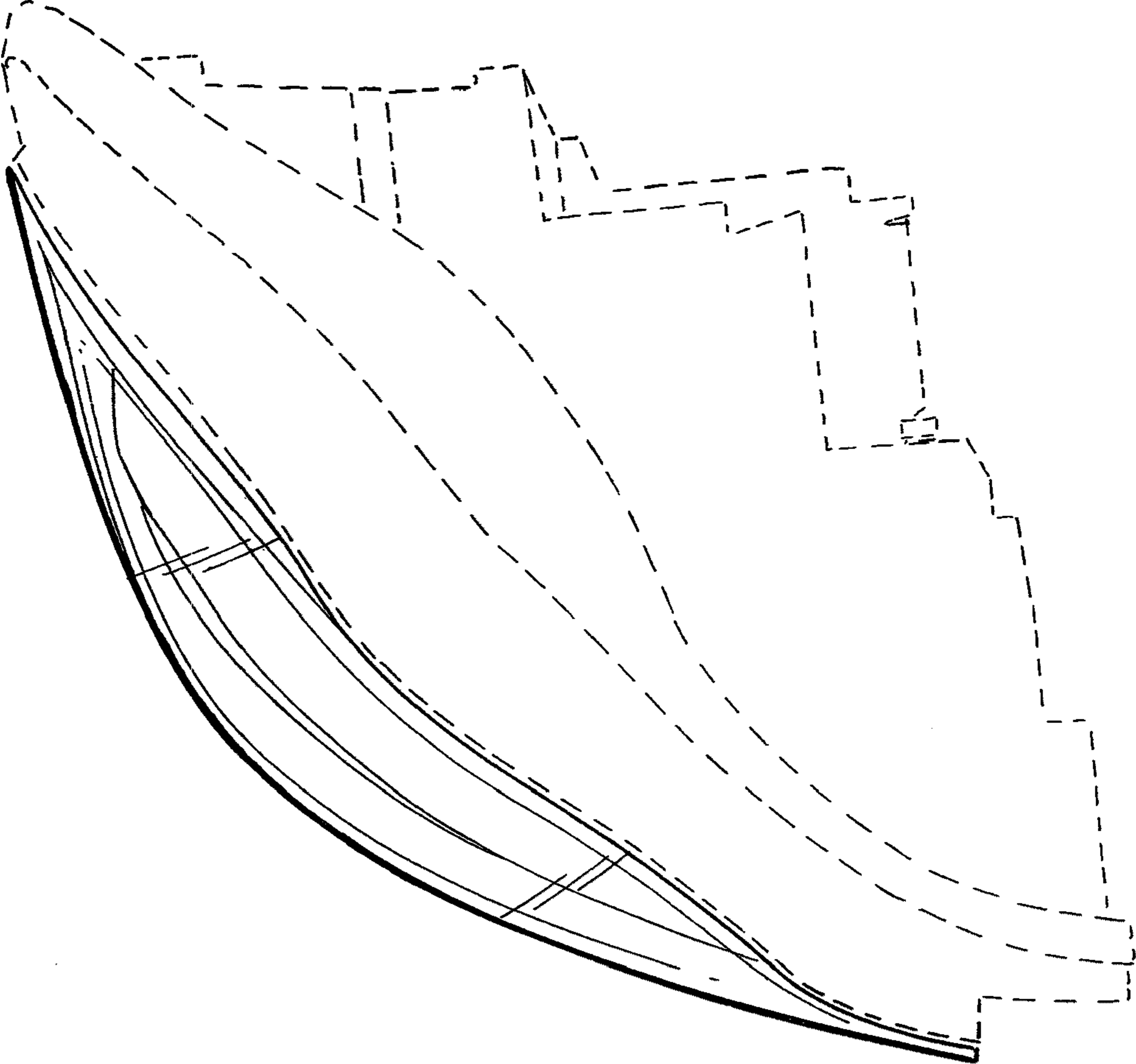


FIG. 8