

US00D650498S

(12) **United States Design Patent**
Bauer et al.

(10) **Patent No.:** **US D650,498 S**

(45) **Date of Patent:** **** Dec. 13, 2011**

(54) **HEADLIGHT FOR A VEHICLE**

(75) Inventors: **Karlheinz Bauer**, Esslingen (DE);
Hans-Dieter Futschik, Gechingen (DE);
Stefan Handt, Stuttgart (DE); **Holger**
Hutzenlaub, Boeblingen (DE); **Steffen**
Koehl, Stuttgart (DE); **Marco Schulz**,
Holzgerlingen (DE)

(73) Assignee: **Daimler AG**, Stuttgart (DE)

(**) Term: **14 Years**

(21) Appl. No.: **29/394,491**

(22) Filed: **Jun. 17, 2011**

Related U.S. Application Data

(62) Division of application No. 29/311,175, filed on Jan. 9, 2009.

(30) **Foreign Application Priority Data**

Jul. 11, 2008 (DE) 402008003283

(51) **LOC (9) Cl.** **26-06**

(52) **U.S. Cl.** **D26/28**

(58) **Field of Classification Search** D26/28-36;
362/459-468, 475-478, 485-487
See application file for complete search history.

(56) **References Cited**

U.S. PATENT DOCUMENTS

D550,383 S 9/2007 Asai
D556,349 S 11/2007 Golden et al.

D560,291 S * 1/2008 Koyama D26/28
D560,832 S * 1/2008 Hsu D26/28
D561,358 S * 2/2008 Tachibana D26/28
D563,576 S * 3/2008 Hanaoka D26/28
D592,769 S * 5/2009 Bauer et al. D26/28
D610,043 S 2/2010 Bauer et al.
D612,777 S 3/2010 Bauer et al.
D634,867 S 3/2011 Frenzel et al.

* cited by examiner

Primary Examiner — Marcus Jackson

(74) *Attorney, Agent, or Firm* — Crowell & Moring LLP

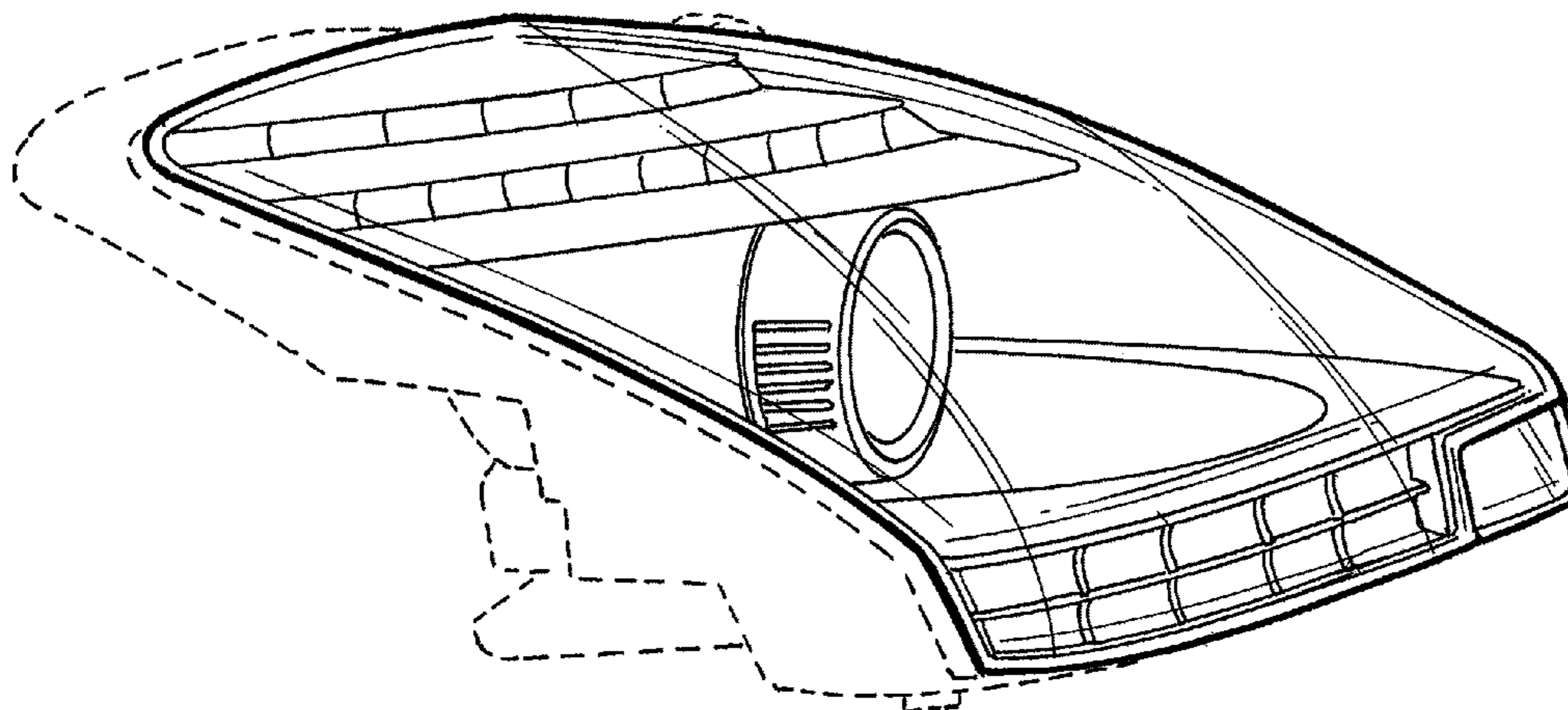
(57) **CLAIM**

The ornamental design for a headlight for a vehicle, as shown and described.

DESCRIPTION

FIG. 1 is a perspective view of a first embodiment of a headlight for a vehicle according to our design;
FIG. 2 is a side view thereof;
FIG. 3 is a top view thereof;
FIG. 4 is a front view thereof; and
FIG. 5 is a bottom view thereof.
FIG. 6 is a perspective view of a second embodiment of the headlight for a vehicle according to our design, with the headlight for a vehicle for the opposite side of the vehicle being depicted in the first embodiment;
FIG. 7 is a side view thereof;
FIG. 8 is a top view thereof;
FIG. 9 is a front view thereof; and,
FIG. 10 is a bottom view thereof.
The broken lines are for illustrative purposes only and form no part of the claimed design.

1 Claim, 6 Drawing Sheets



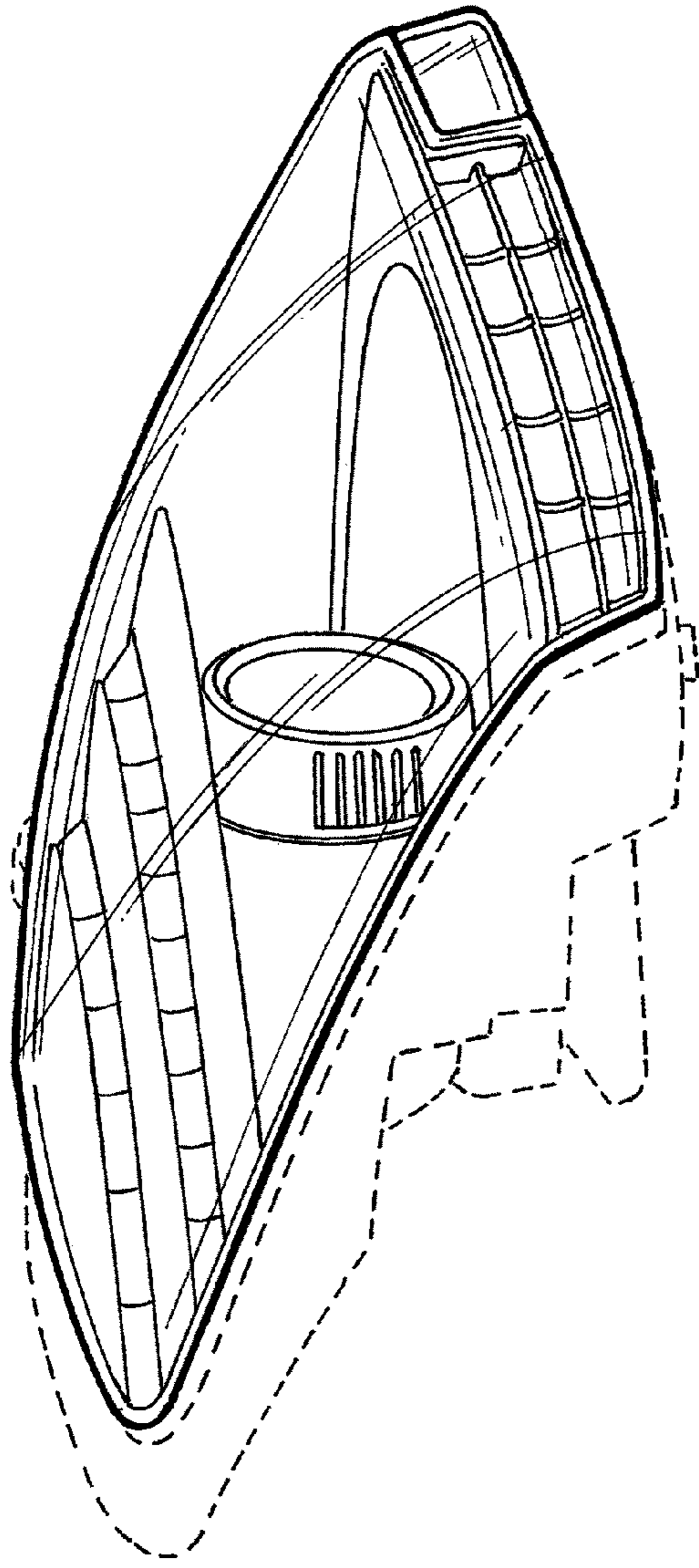


FIG. 1

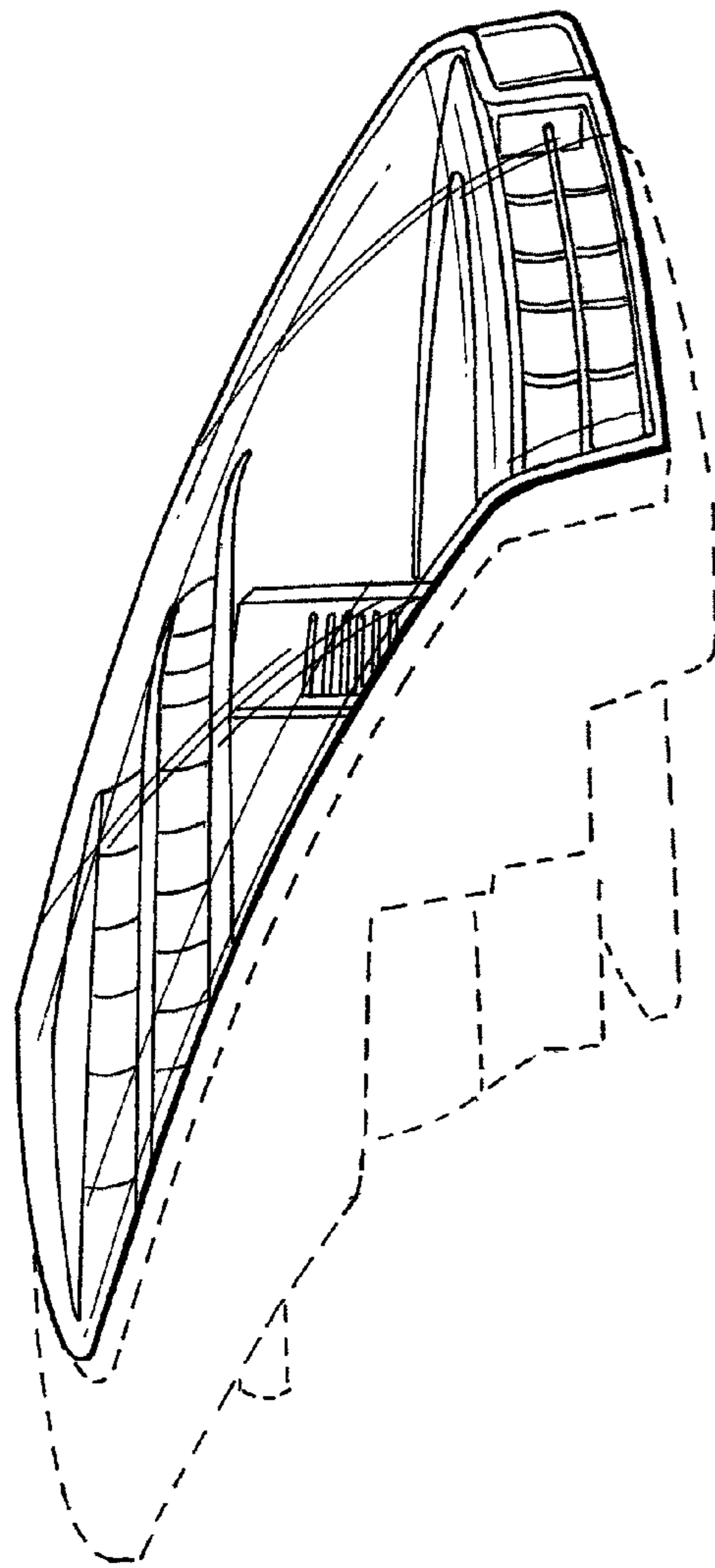


FIG. 2

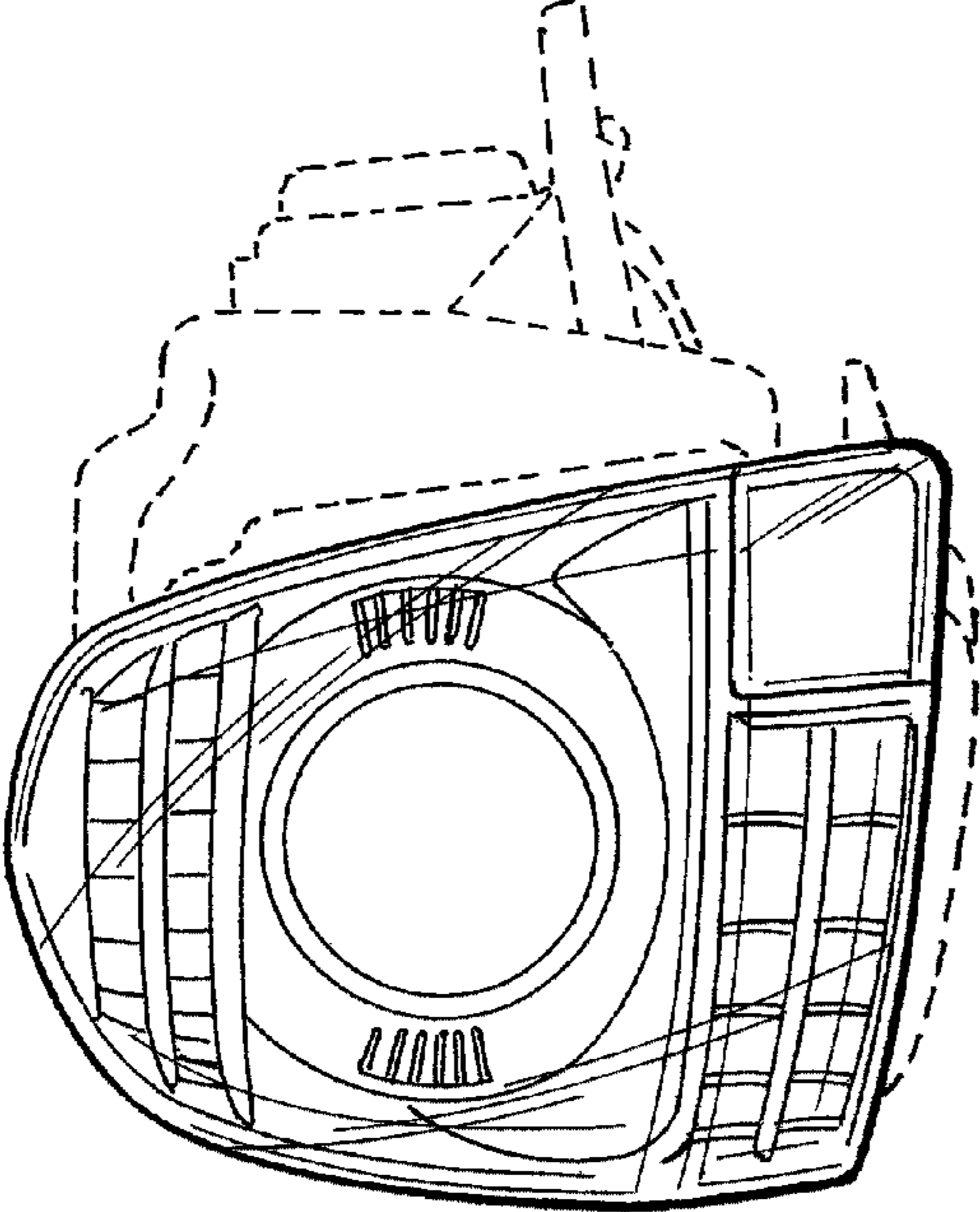


FIG. 4

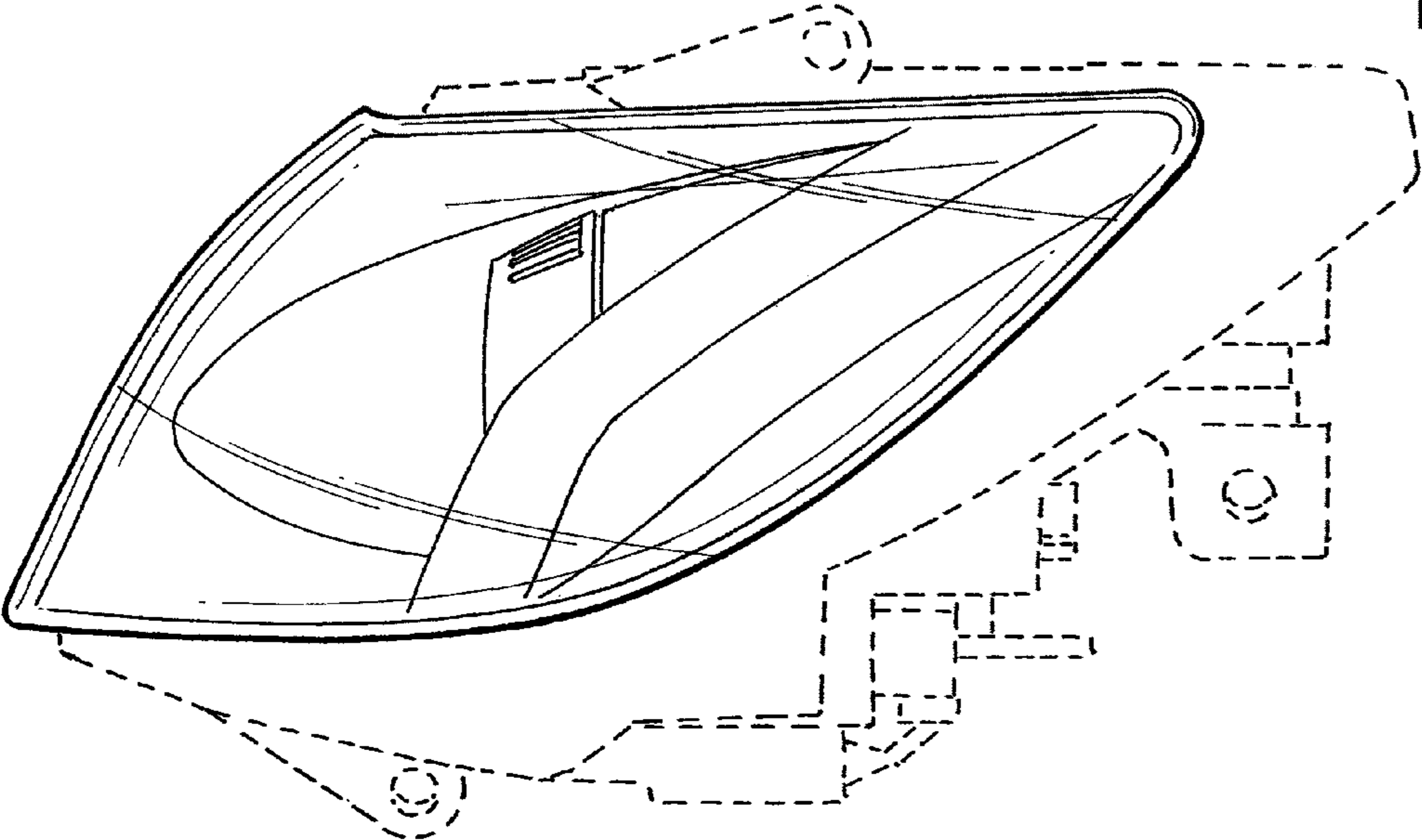


FIG. 3

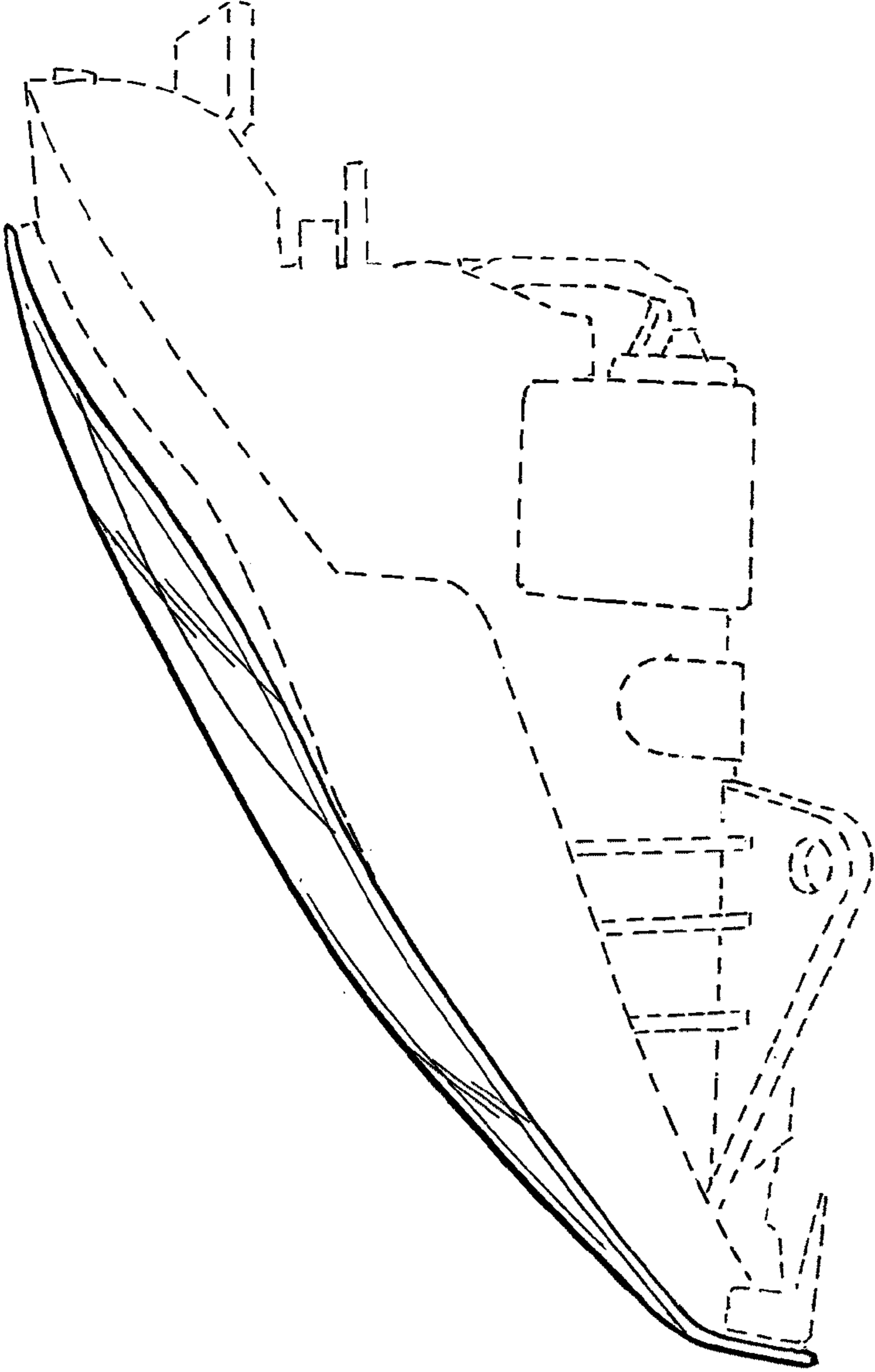


FIG. 5

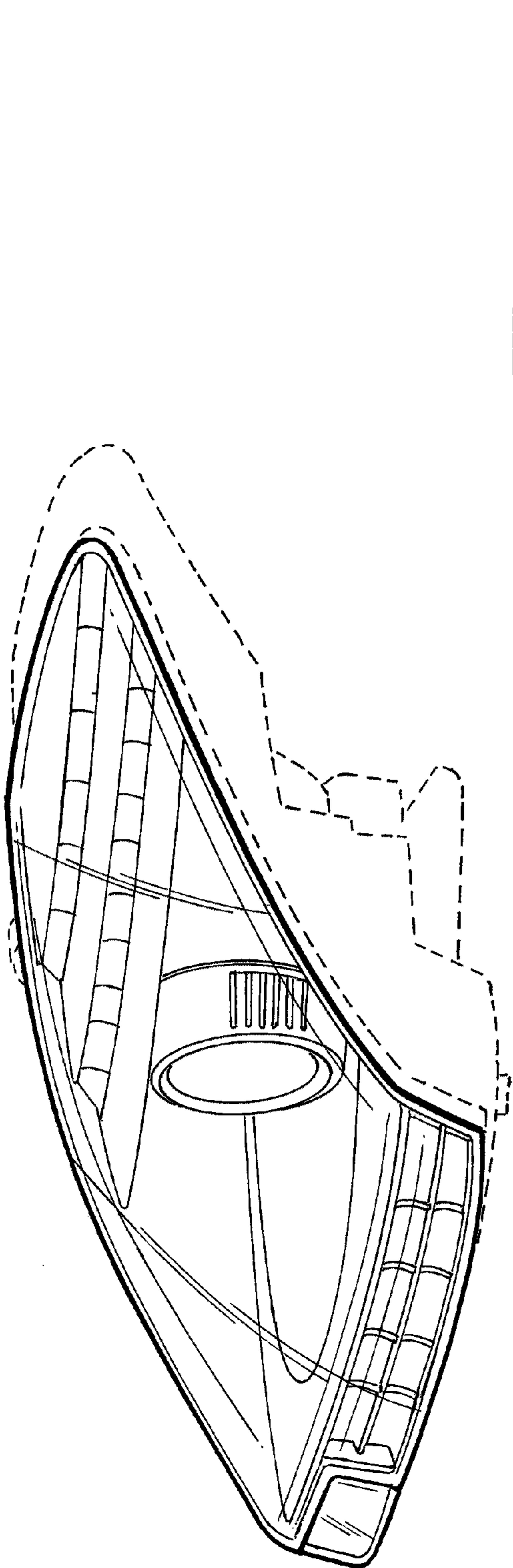


FIG. 6

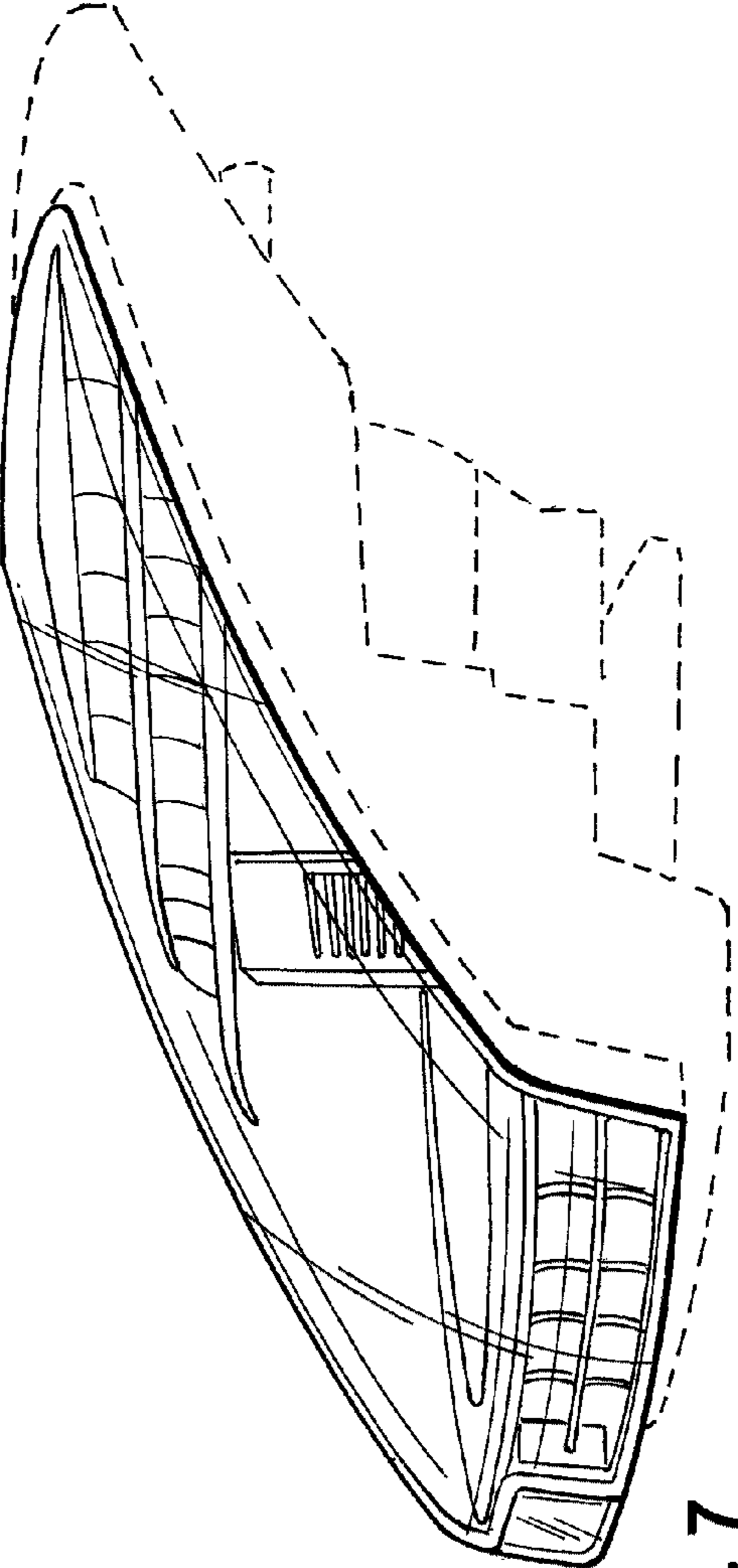


FIG. 7

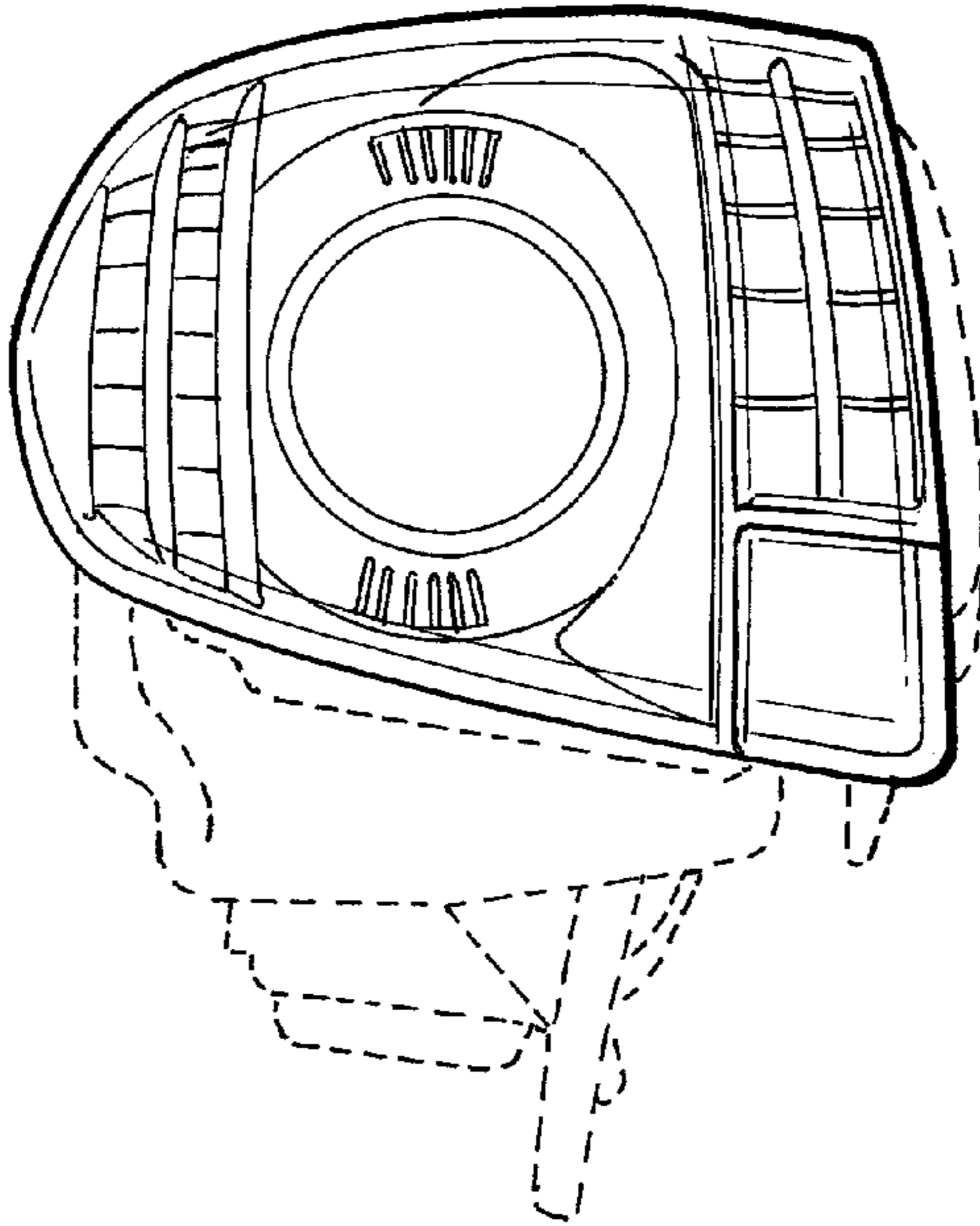


FIG. 9

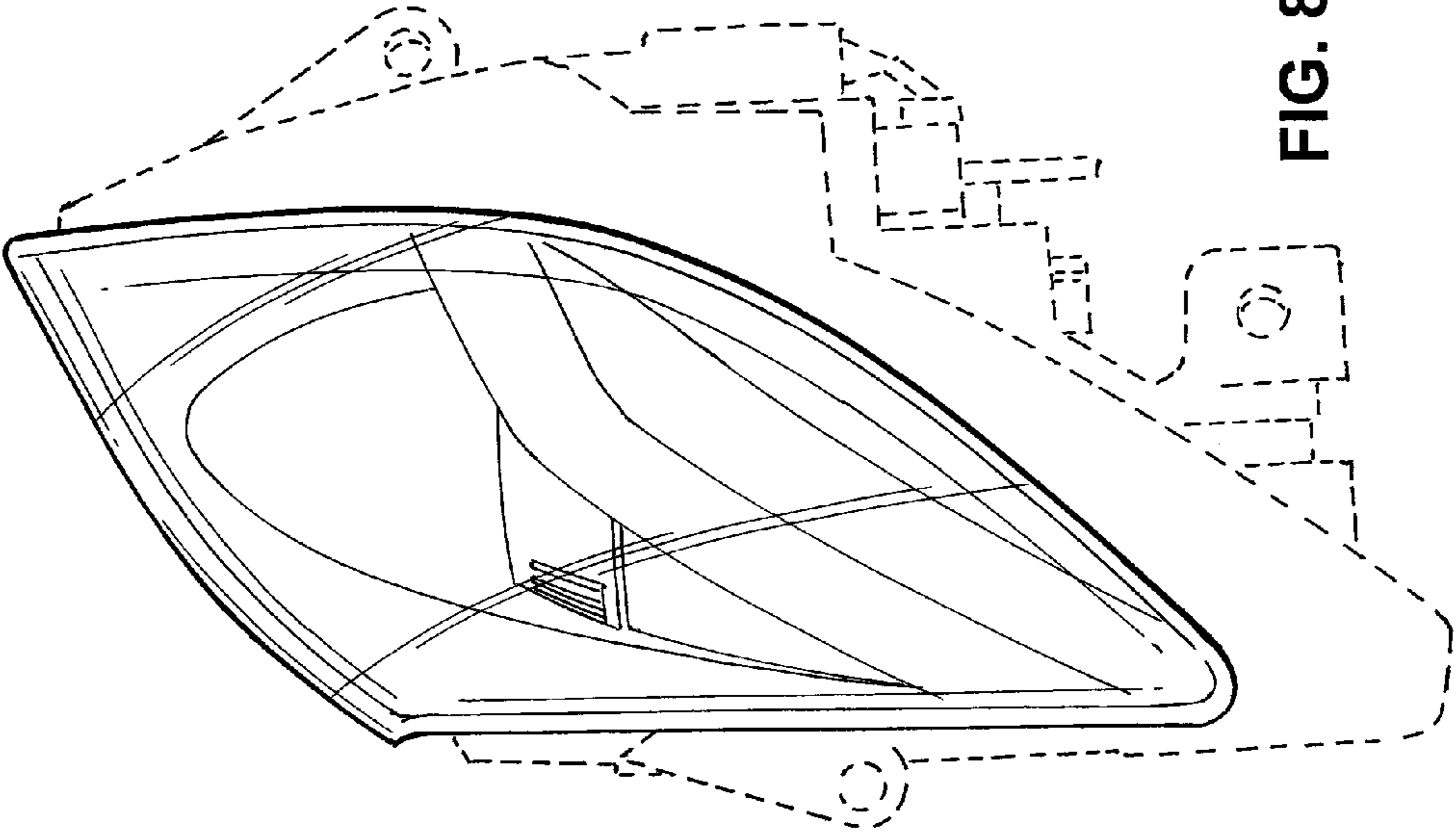


FIG. 8

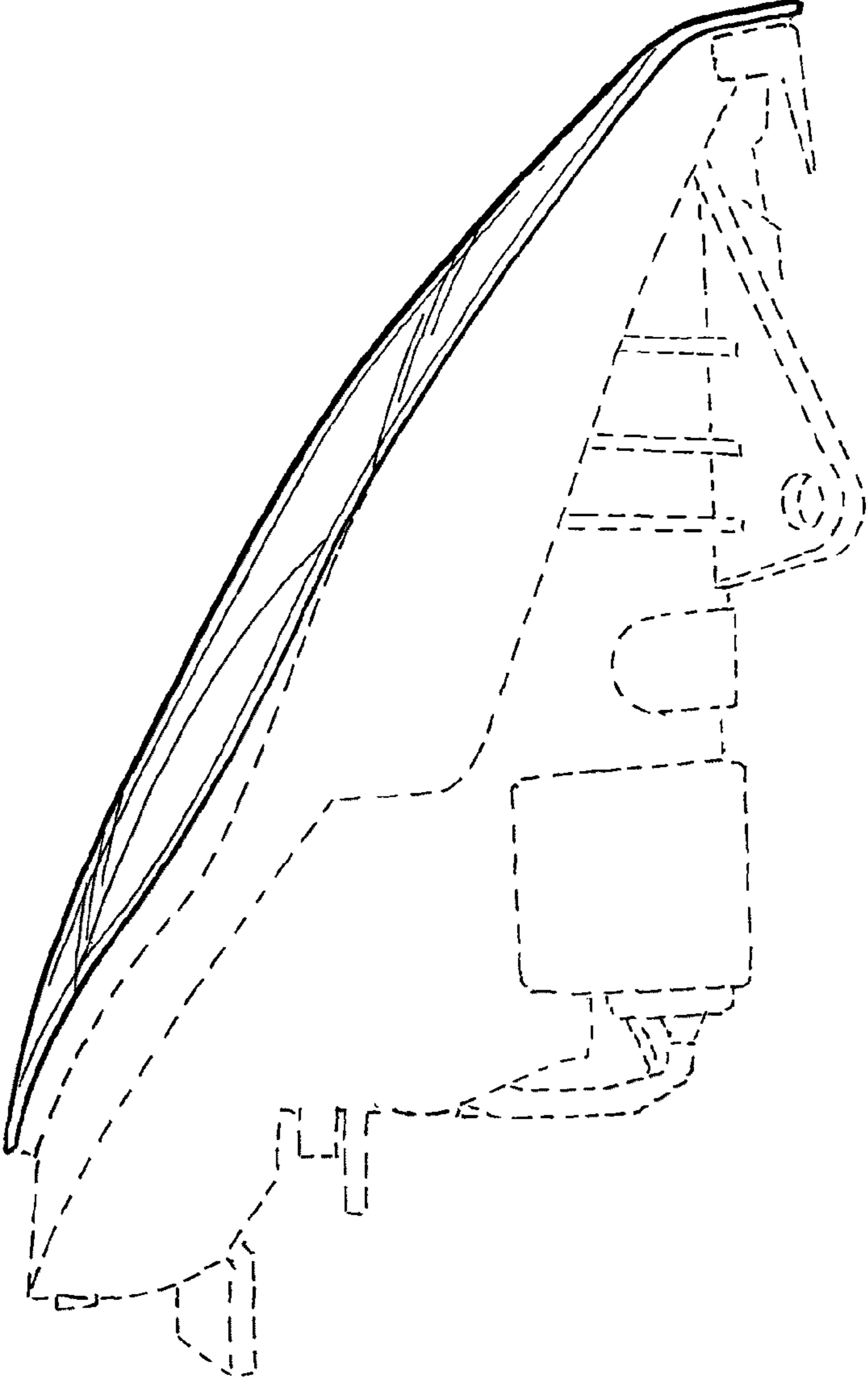


FIG. 10