



US00D650497S

(12) **United States Design Patent**
Lai et al.

(10) **Patent No.:** **US D650,497 S**

(45) **Date of Patent:** **** *Dec. 13, 2011**

(54) **LED TUBE LAMP**

(75) Inventors: **Chih-Ming Lai**, Miao-Li Hsien (TW);
Hong-Bin Yang, Miao-Li Hsien (TW);
Ming-Young Shiao, Miao-Li Hsien
(TW)

(73) Assignee: **Foxsemicon Integrated Technology, Inc.**, Chu-Nan, Miao-Li Hsien (TW)

(*) Notice: This patent is subject to a terminal disclaimer.

(**) Term: **14 Years**

(21) Appl. No.: **29/356,798**

(22) Filed: **Mar. 2, 2010**

(30) **Foreign Application Priority Data**

Jan. 18, 2010 (CN) 2010 3 0301232

(51) **LOC (9) Cl.** **26-04**

(52) **U.S. Cl.** **D26/3**

(58) **Field of Classification Search** D26/1-4;
313/313, 315, 316, 317, 318, 493; 315/52,
315/53, 56, 57, 58

See application file for complete search history.

(56) **References Cited**

U.S. PATENT DOCUMENTS

D315,800	S	*	3/1991	Hayakawa et al.	D26/2
D382,081	S	*	8/1997	Sato et al.	D26/2
D584,429	S	*	1/2009	Pei et al.	D26/3
D611,172	S	*	3/2010	Lin et al.	D26/3

* cited by examiner

Primary Examiner — Marcus A Jackson

(74) *Attorney, Agent, or Firm* — Altis Law Group, Inc.

(57) **CLAIM**

The ornamental design for an LED tube lamp, as shown and described.

DESCRIPTION

FIG. 1 is a perspective view of an LED tube lamp showing our new design, with the center broken away to indicate indeterminate length;

FIG. 2 is a front elevational view thereof.

FIG. 3 is a rear elevational view thereof.

FIG. 4 is a left-side, elevational view thereof.

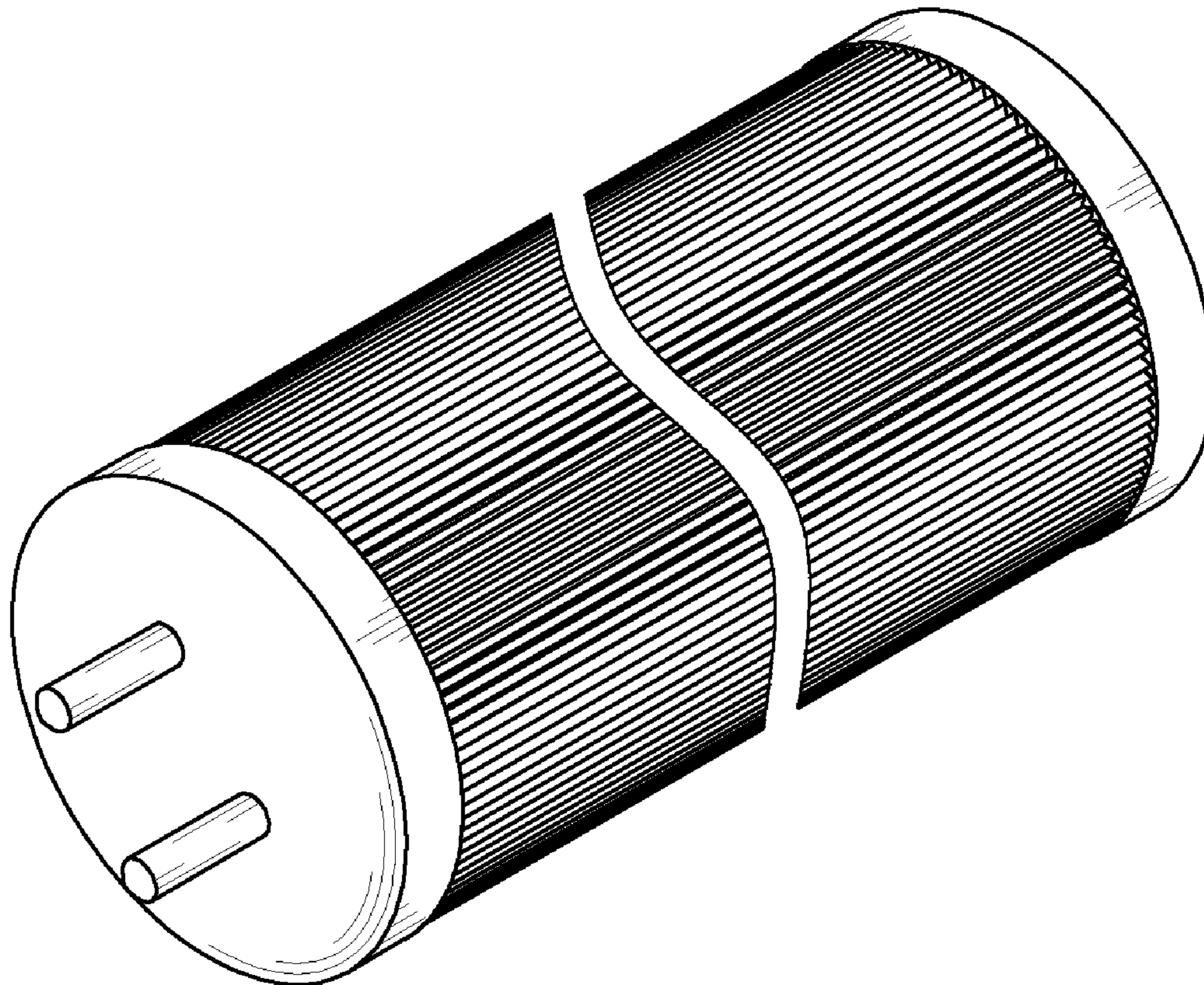
FIG. 5 is a right-side, elevational view thereof.

FIG. 6 is a top plan view thereof.

FIG. 7 is a bottom plan view thereof, and,

FIG. 8 is a cross-sectional view thereof, taken along line VIII—VIII of FIG. 2.

1 Claim, 8 Drawing Sheets



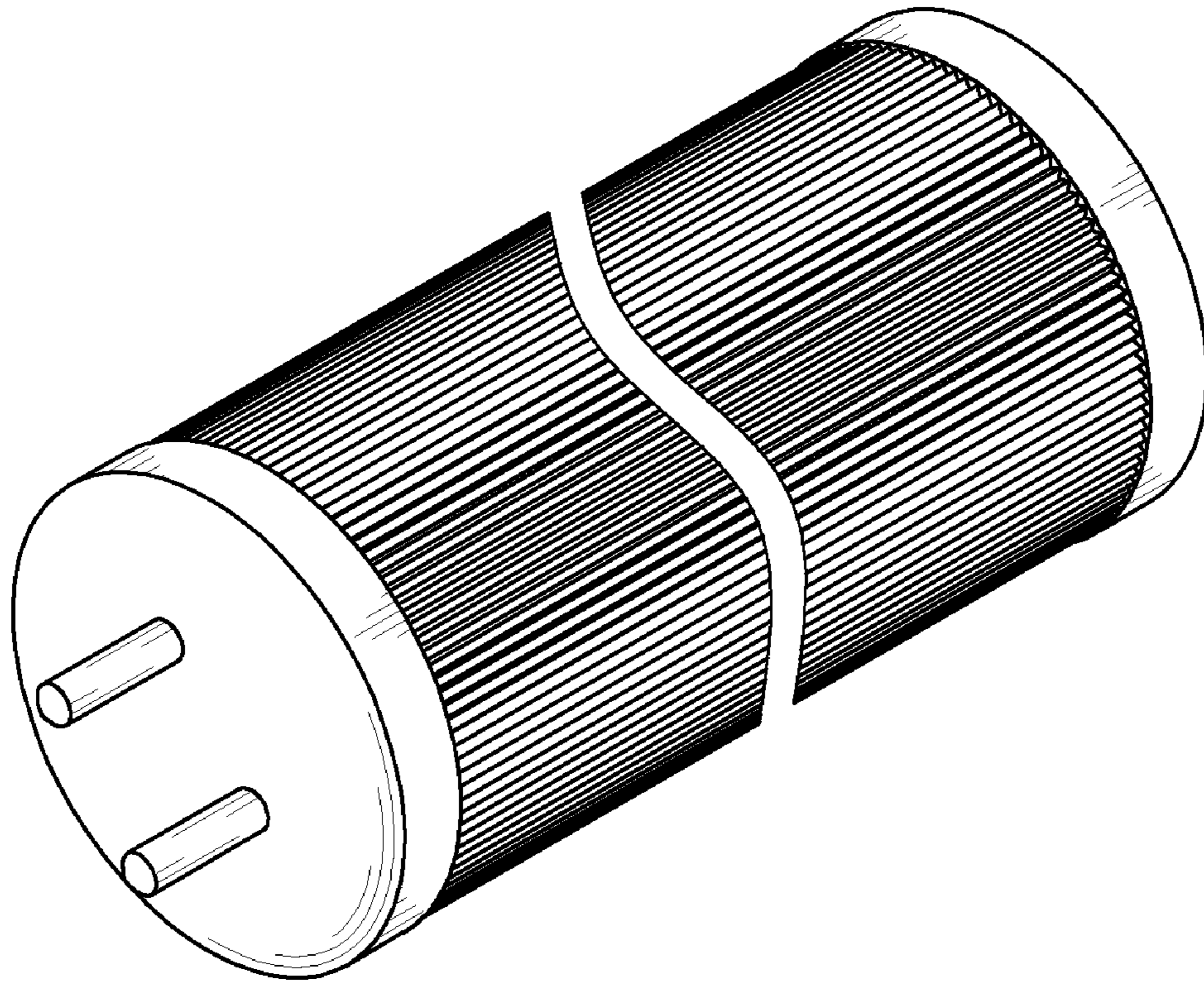


FIG. 1

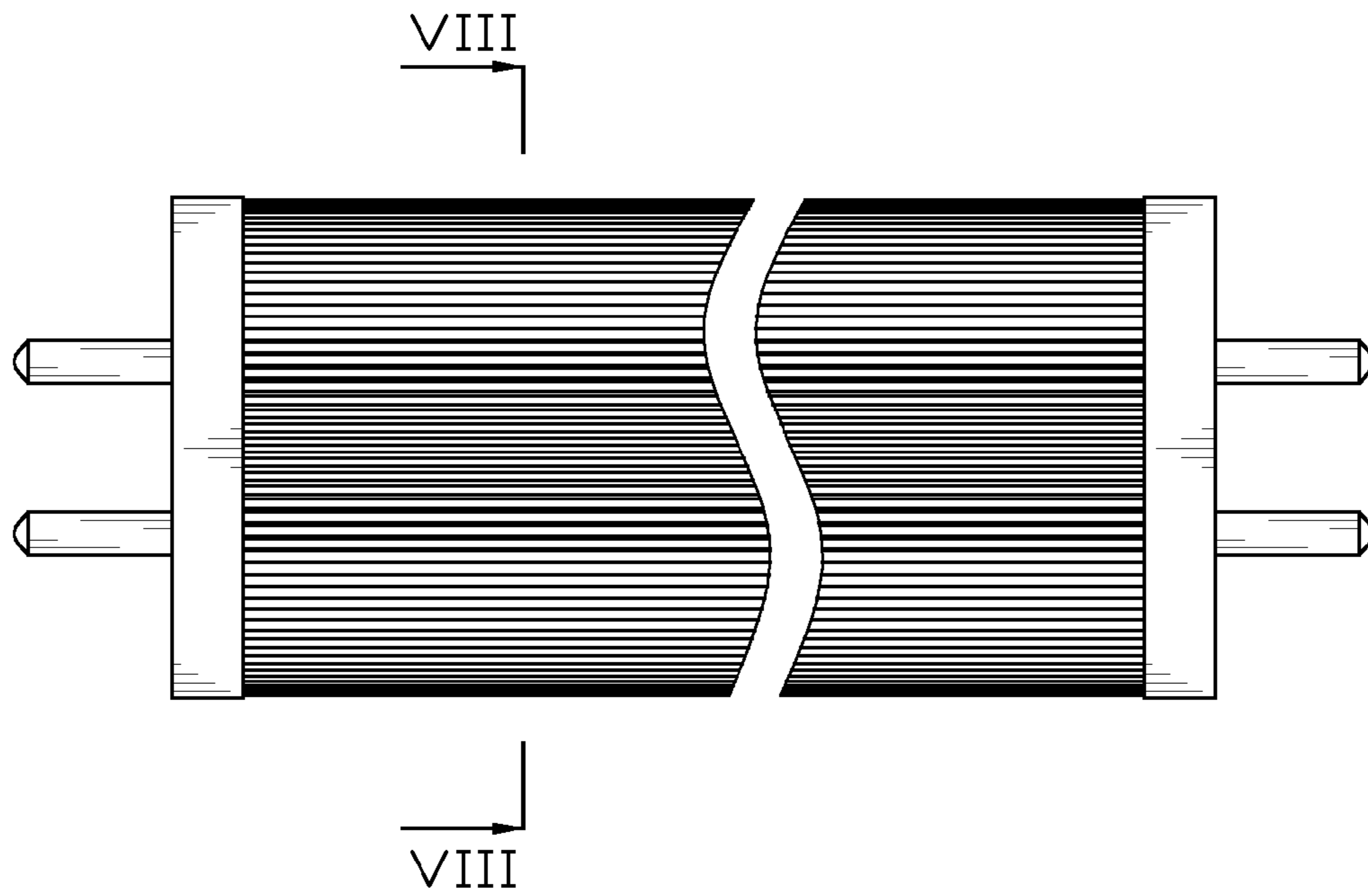


FIG. 2

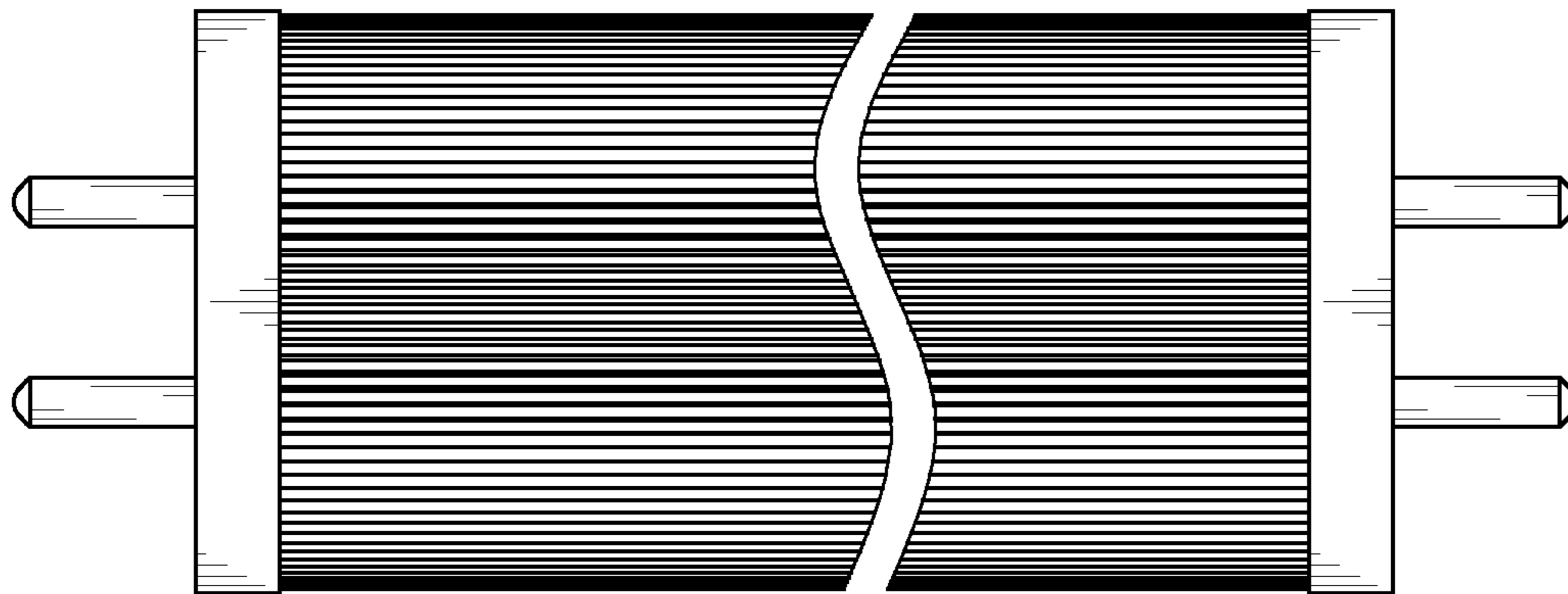


FIG. 3

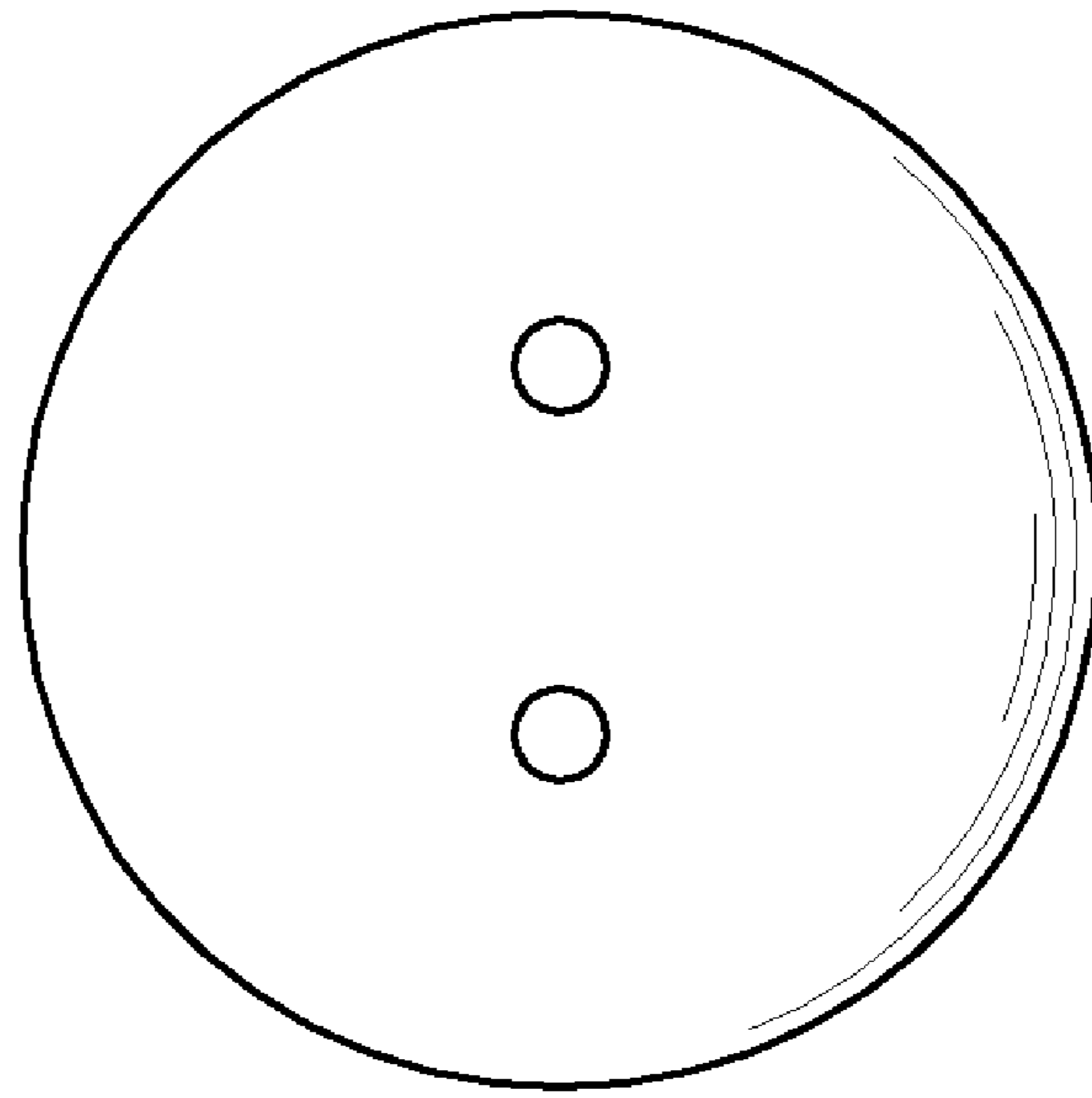


FIG. 4

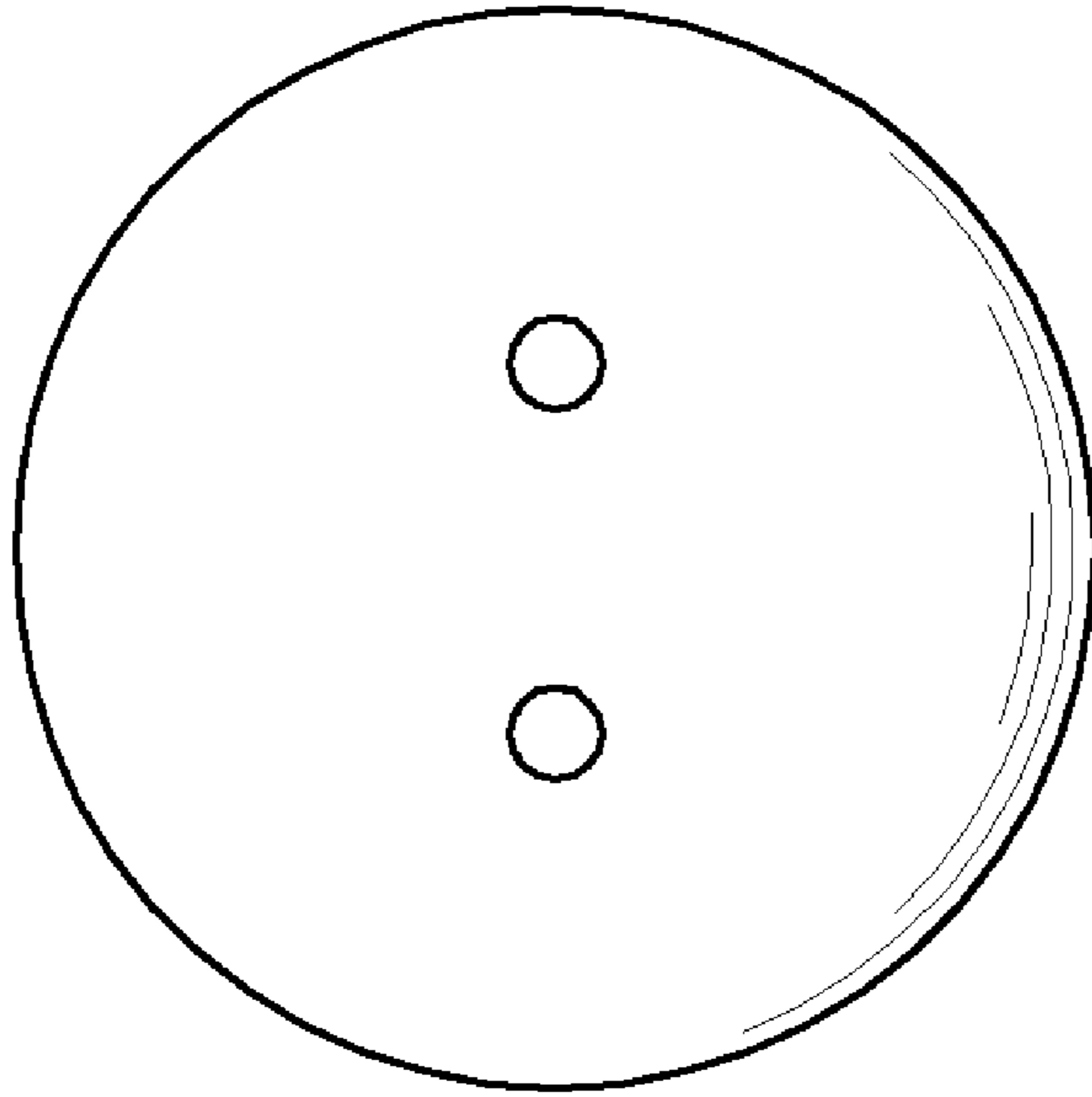


FIG. 5

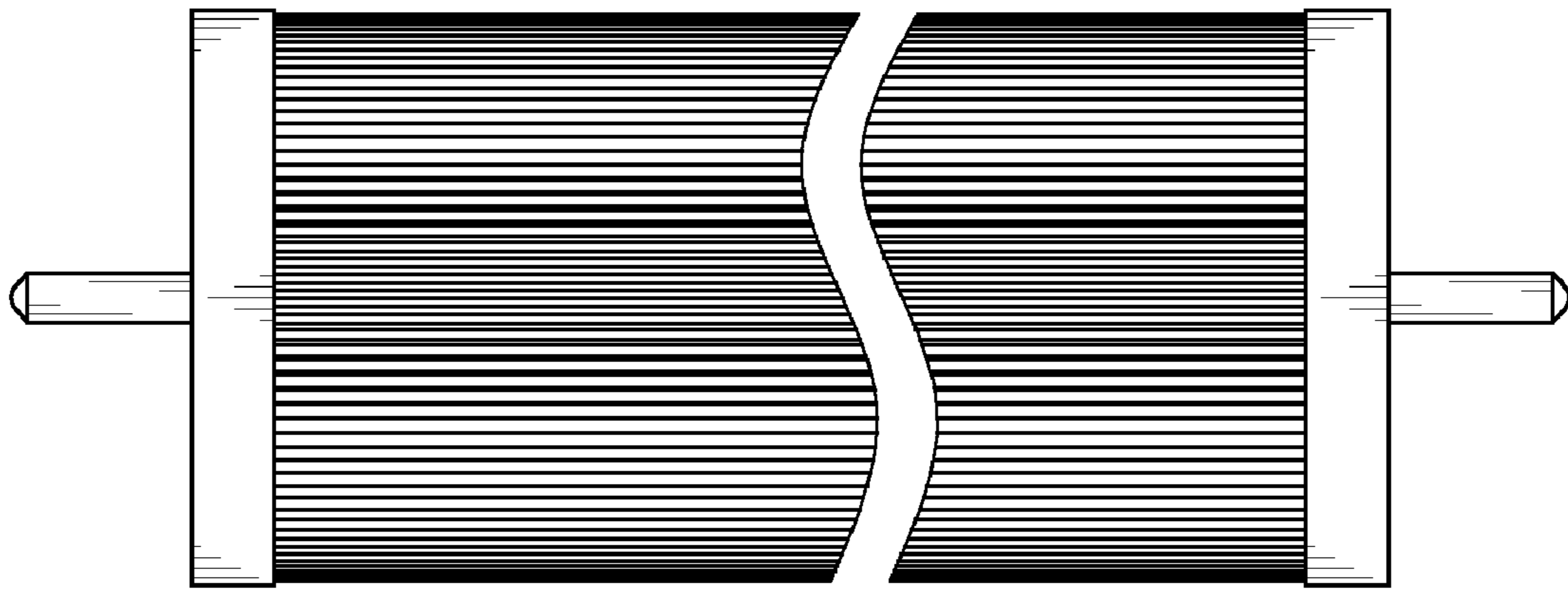


FIG. 6

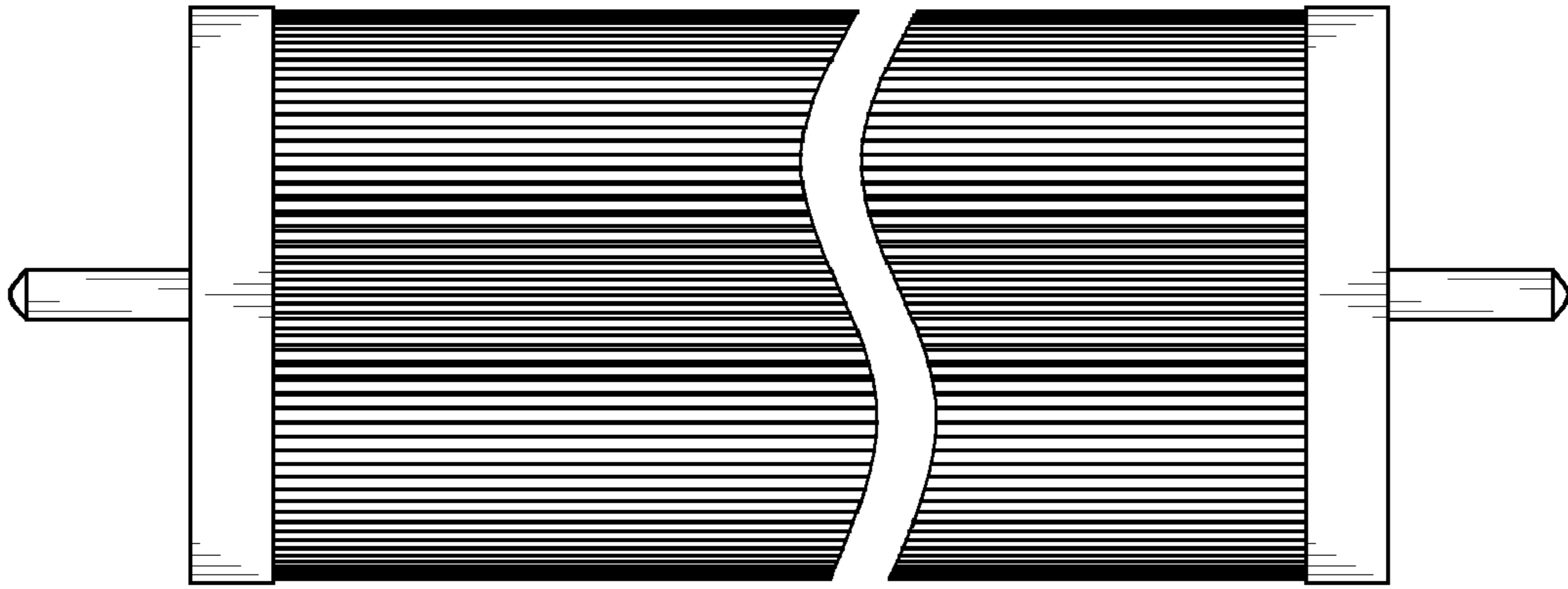


FIG. 7

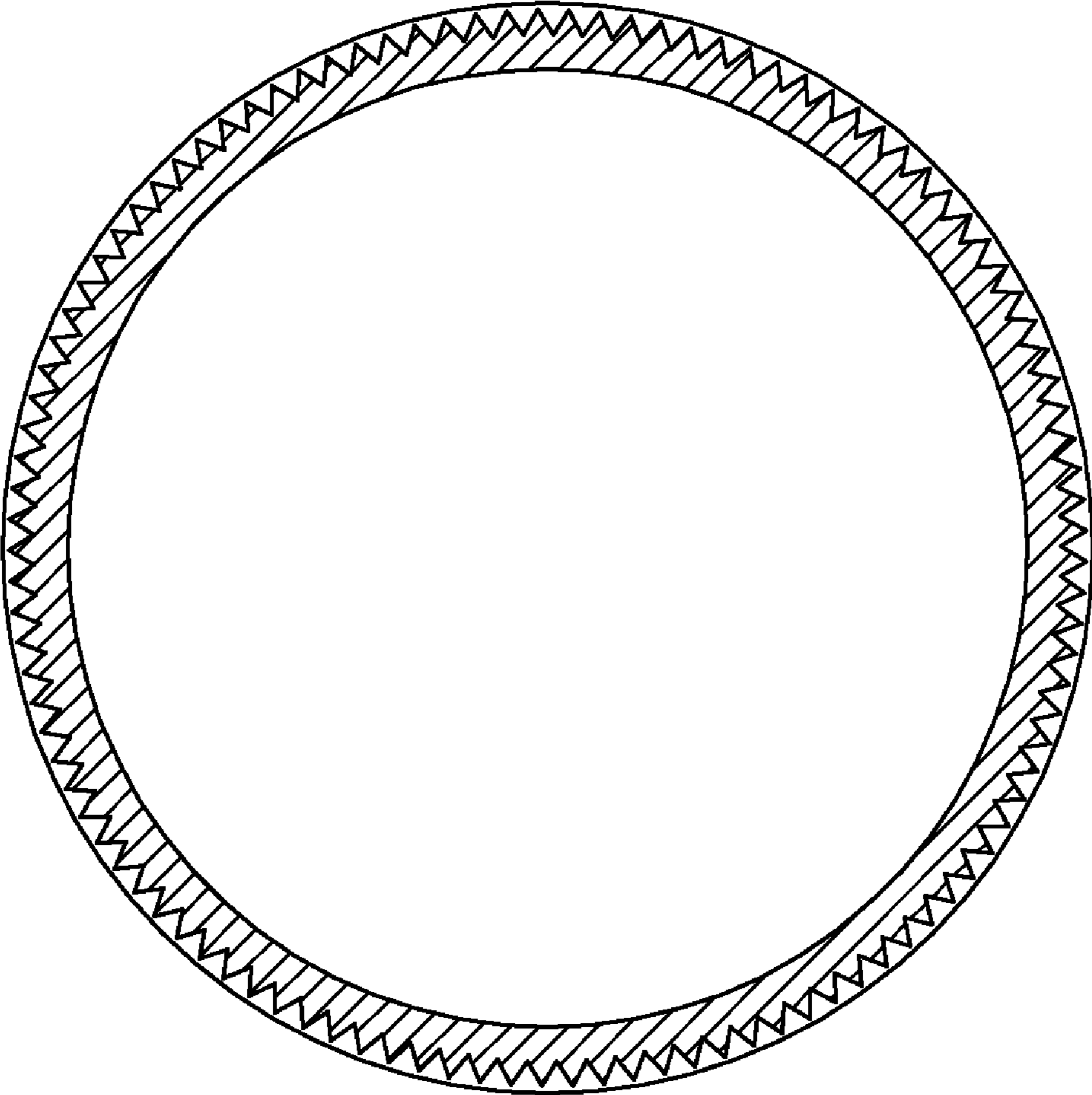


FIG. 8