



US00D650494S

(12) **United States Design Patent**
Tsao et al.

(10) **Patent No.:** **US D650,494 S**

(45) **Date of Patent:** **** *Dec. 13, 2011**

(54) **LED LAMP BODY**

(56) **References Cited**

(75) Inventors: **Chih-Chung Tsao**, Miao-Li Hsien (TW); **Zheng-Jay Huang**, Miao-Li Hsien (TW); **Ping-Yu Chen**, Miao-Li Hsien (TW); **Hsin-Fei Huang**, Miao-Li Hsien (TW); **Chien-Ting Lu**, Miao-Li Hsien (TW); **Ying-Chieh Lu**, Miao-Li Hsien (TW)

U.S. PATENT DOCUMENTS

D542,943	S	*	5/2007	Wang	D26/2
D546,980	S	*	7/2007	Lo	D26/2
D549,854	S	*	8/2007	Takahashi	D26/2
D566,300	S	*	4/2008	Lo	D26/2
D582,578	S	*	12/2008	Tsai et al.	D26/2
D607,586	S	*	1/2010	Ko	D26/2
D617,918	S	*	6/2010	Yamamoto et al.	D26/2

* cited by examiner

(73) Assignee: **Foxsemicon Integrated Technology, Inc.**, Chu-Nan, Miao-Li Hsien (TW)

Primary Examiner — Marcus A Jackson

(74) *Attorney, Agent, or Firm* — Altis Law Group, Inc.

(*) Notice: This patent is subject to a terminal disclaimer.

(57) **CLAIM**

The ornamental design for a LED lamp body, as shown and described.

(**) Term: **14 Years**

DESCRIPTION

(21) Appl. No.: **29/359,748**

FIG. 1 is a perspective view of an LED lamp body showing our new design.

(22) Filed: **Apr. 14, 2010**

FIG. 2 is a front elevational view thereof.

(30) **Foreign Application Priority Data**

Dec. 16, 2009 (CN) 2009 3 0329349

FIG. 3 is a rear elevational view thereof.

(51) **LOC (9) Cl.** **26-04**

FIG. 4 is a left-side, elevational view thereof.

(52) **U.S. Cl.** **D26/2**

FIG. 5 is a right-side, elevational view thereof.

(58) **Field of Classification Search** D26/1-4;
313/313, 315, 316, 317, 318, 493; 315/52,
315/53, 56, 57, 58

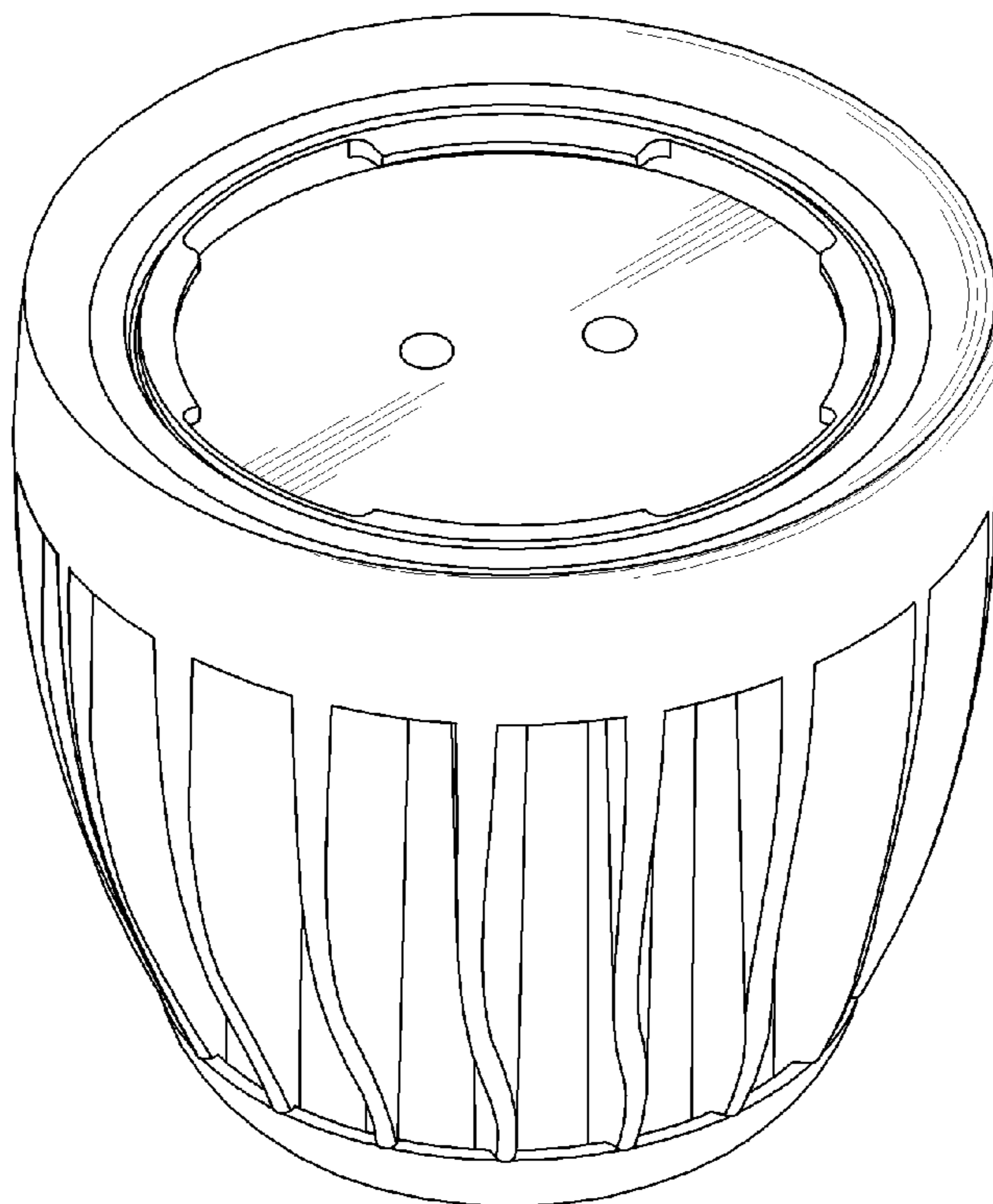
FIG. 6 is a top plan view thereof.

FIG. 7 is a bottom plan view thereof; and,

FIG. 8 is a view similar to FIG. 1, showing an LED, an envelope and a sleeve being mounted to the LED lamp body, wherein the LED, envelope and sleeve are shown in broken lines for illustrative purposes only and form no part of the claimed design.

See application file for complete search history.

1 Claim, 8 Drawing Sheets



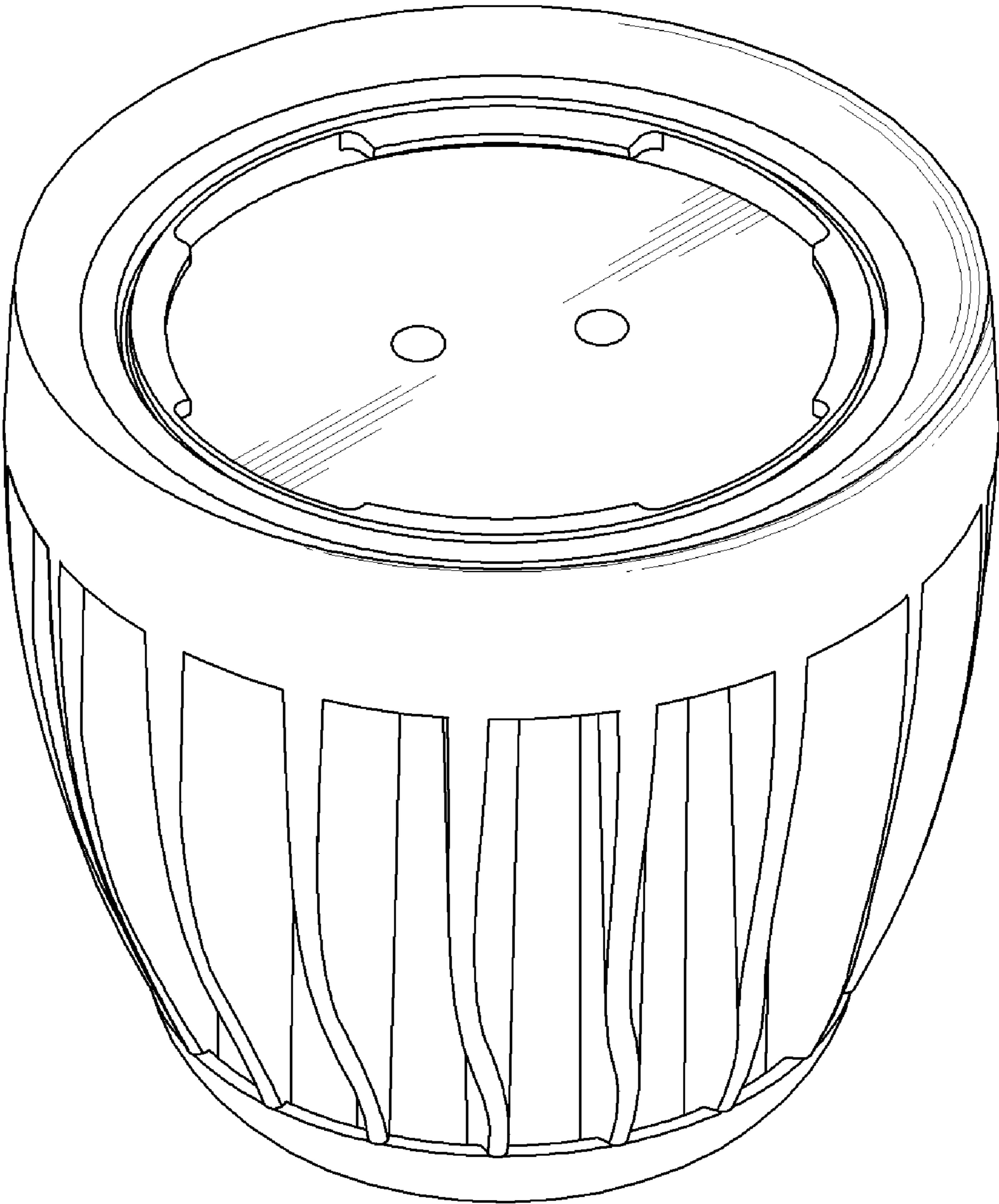


FIG. 1

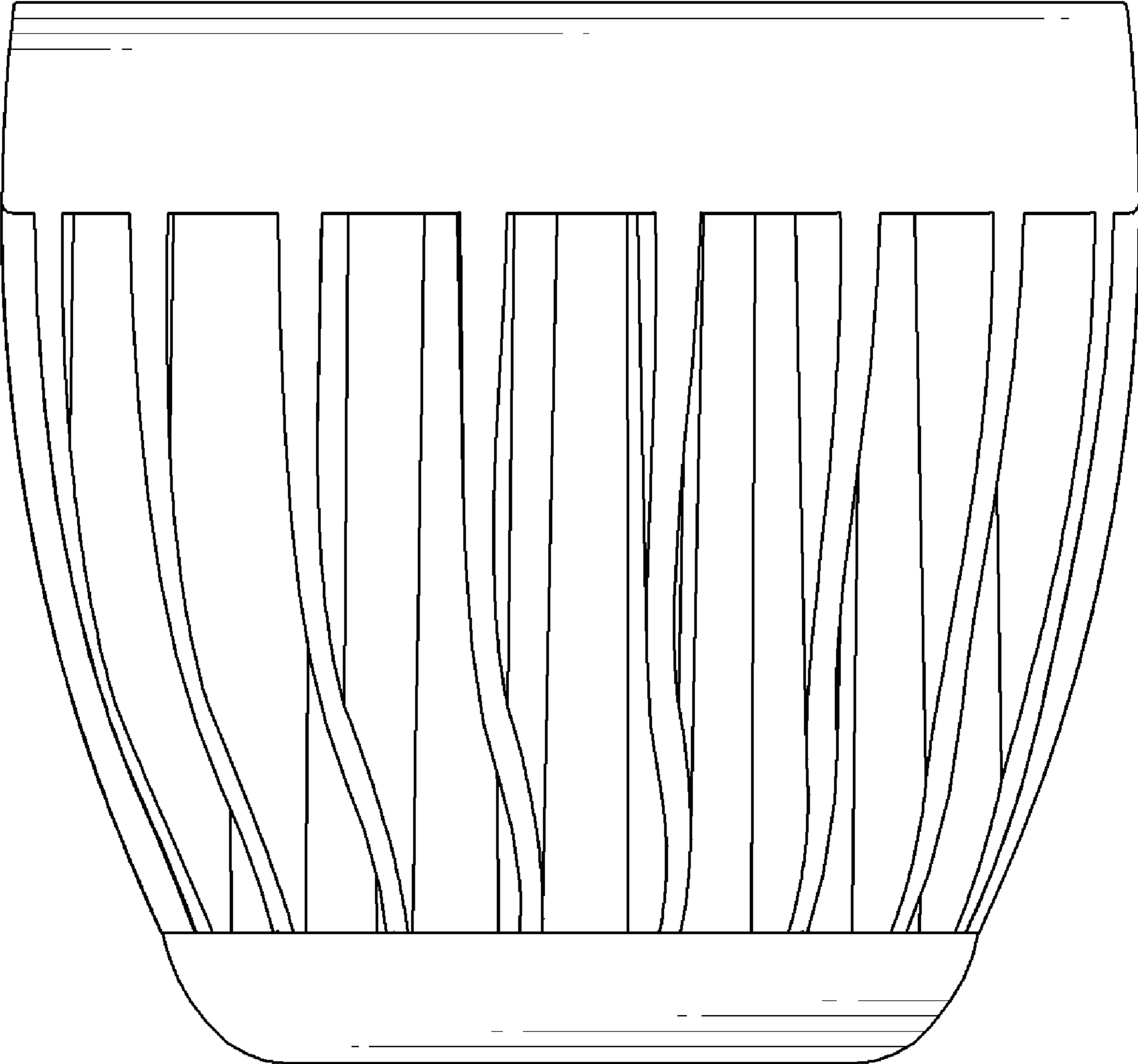


FIG. 2

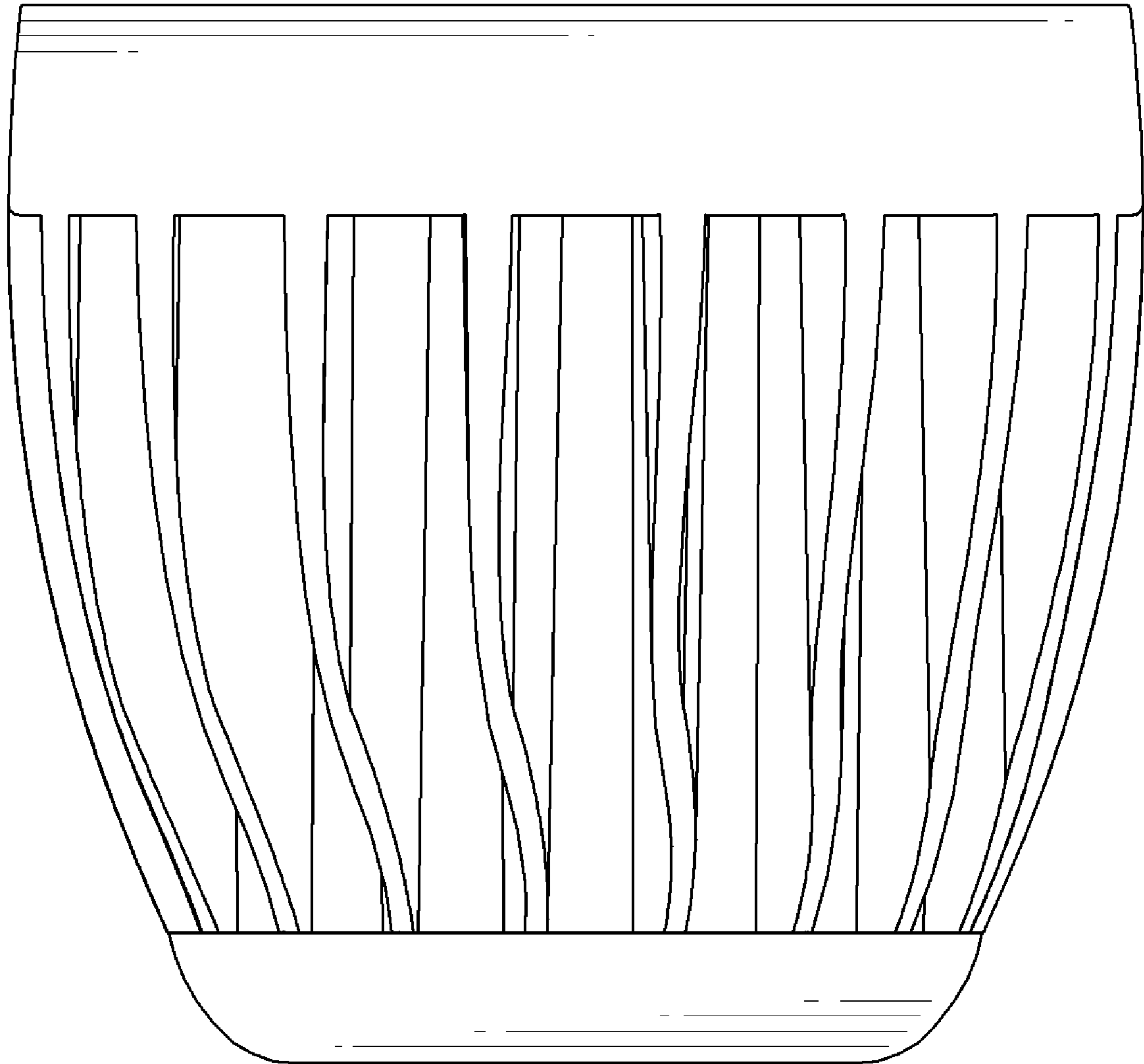


FIG. 3

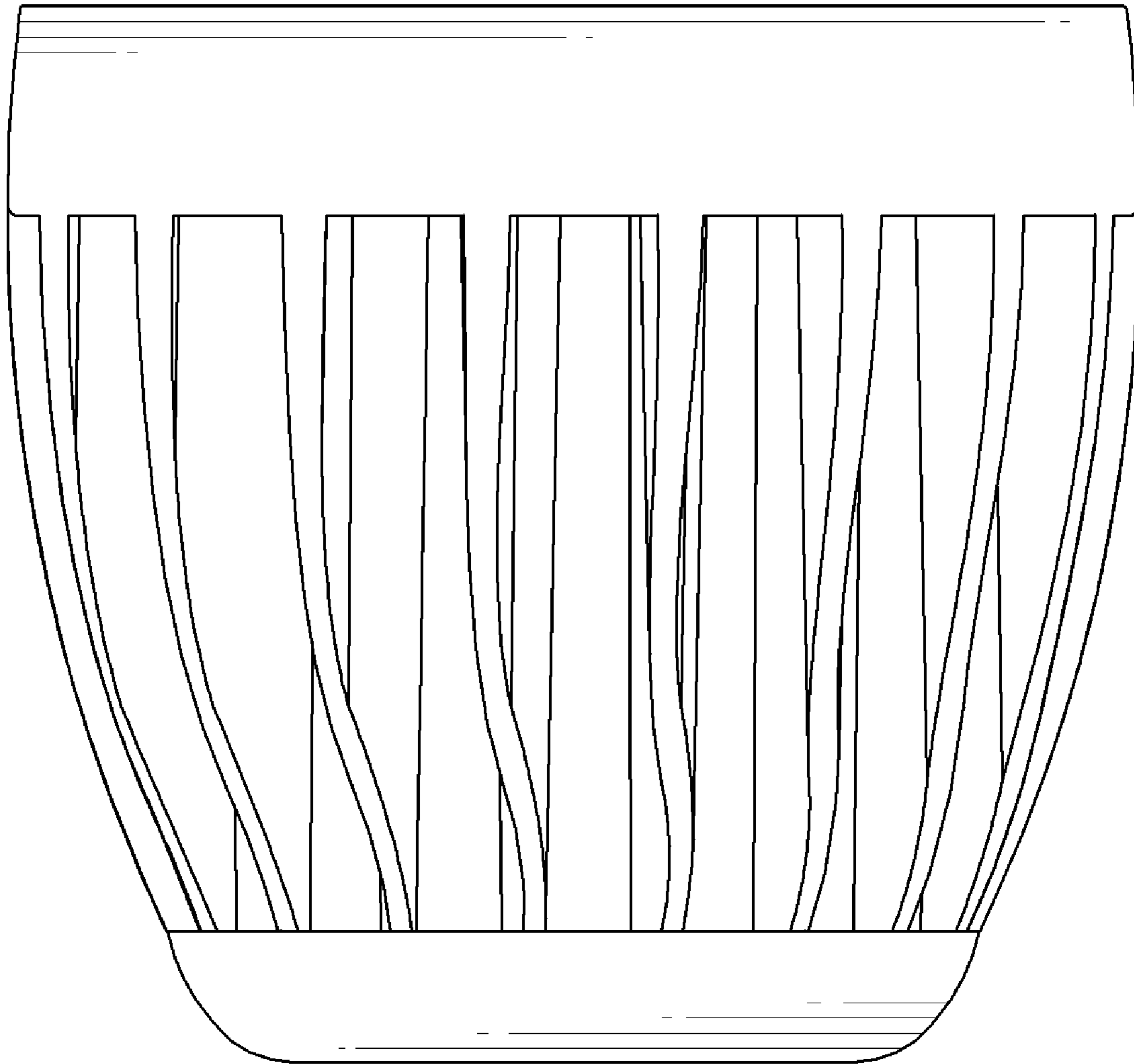


FIG. 4

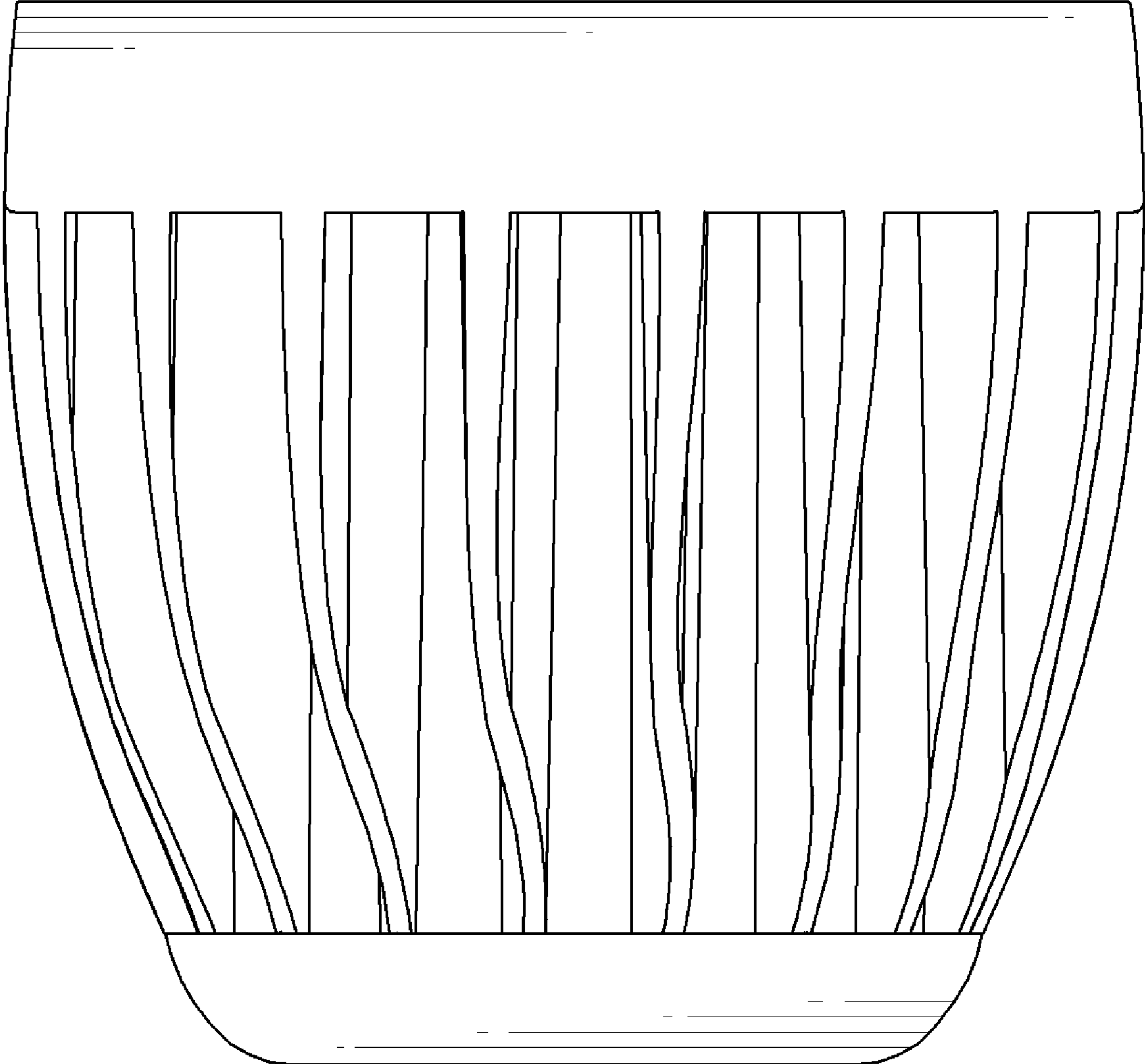


FIG. 5

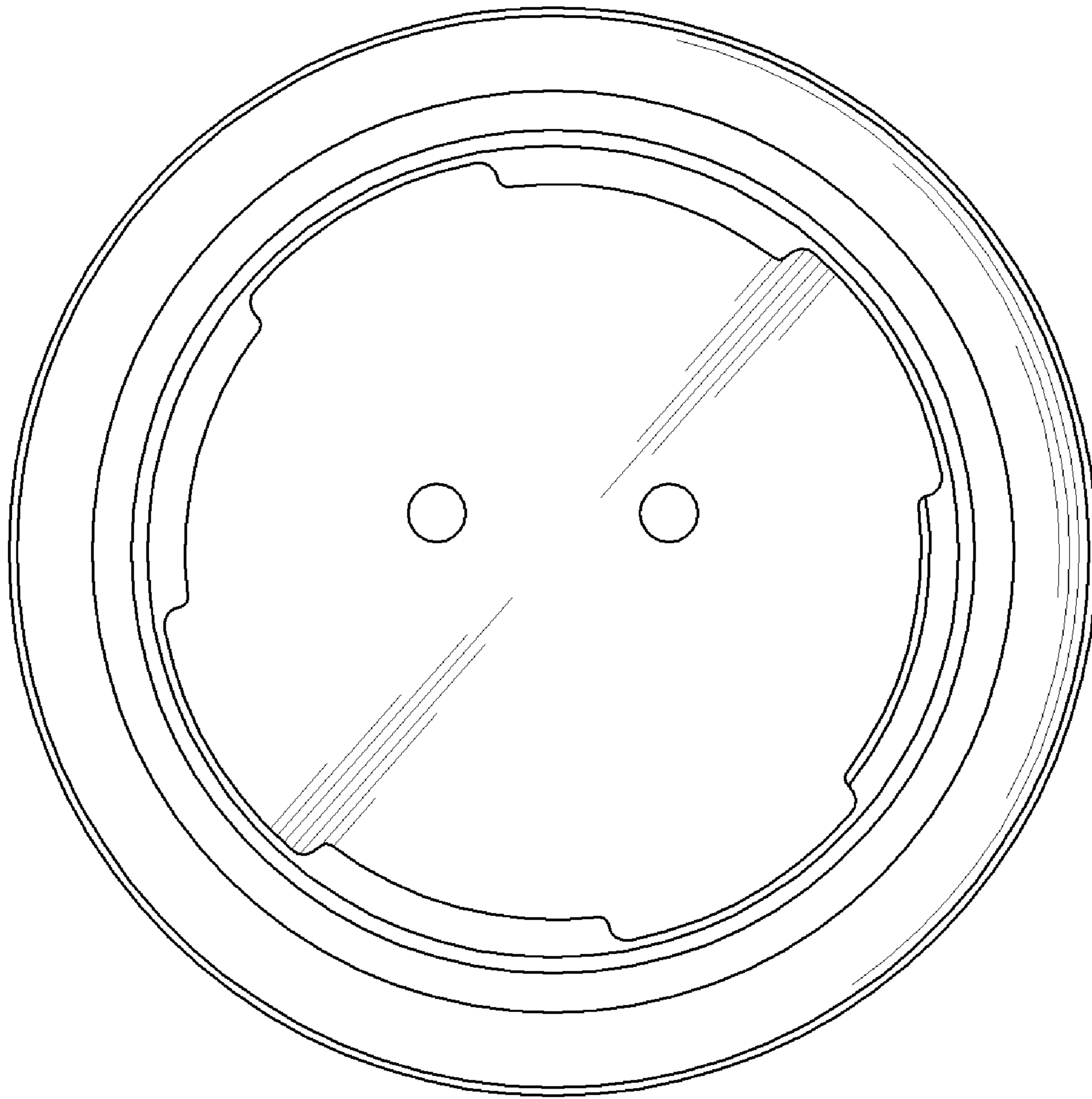


FIG. 6

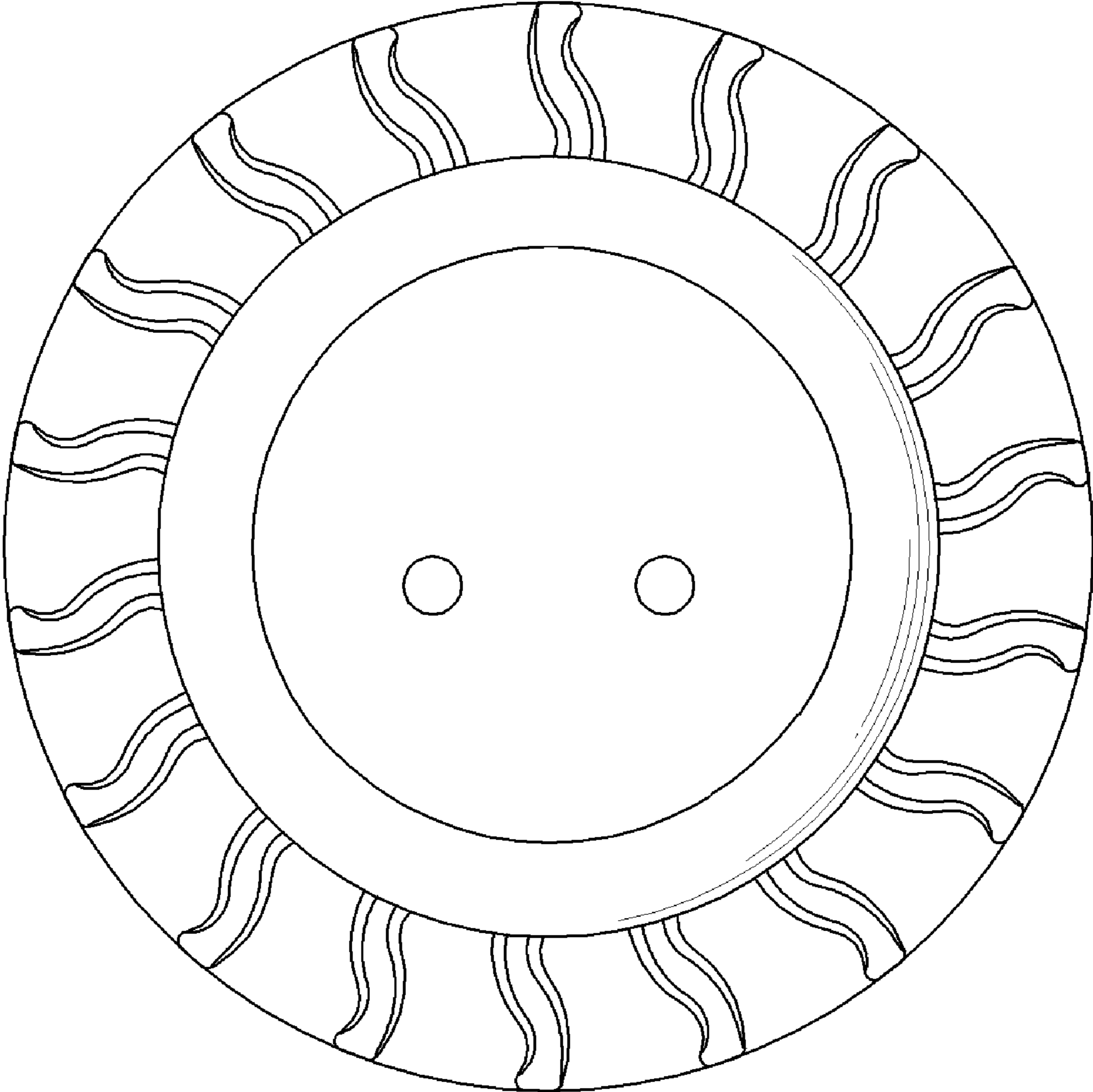


FIG. 7

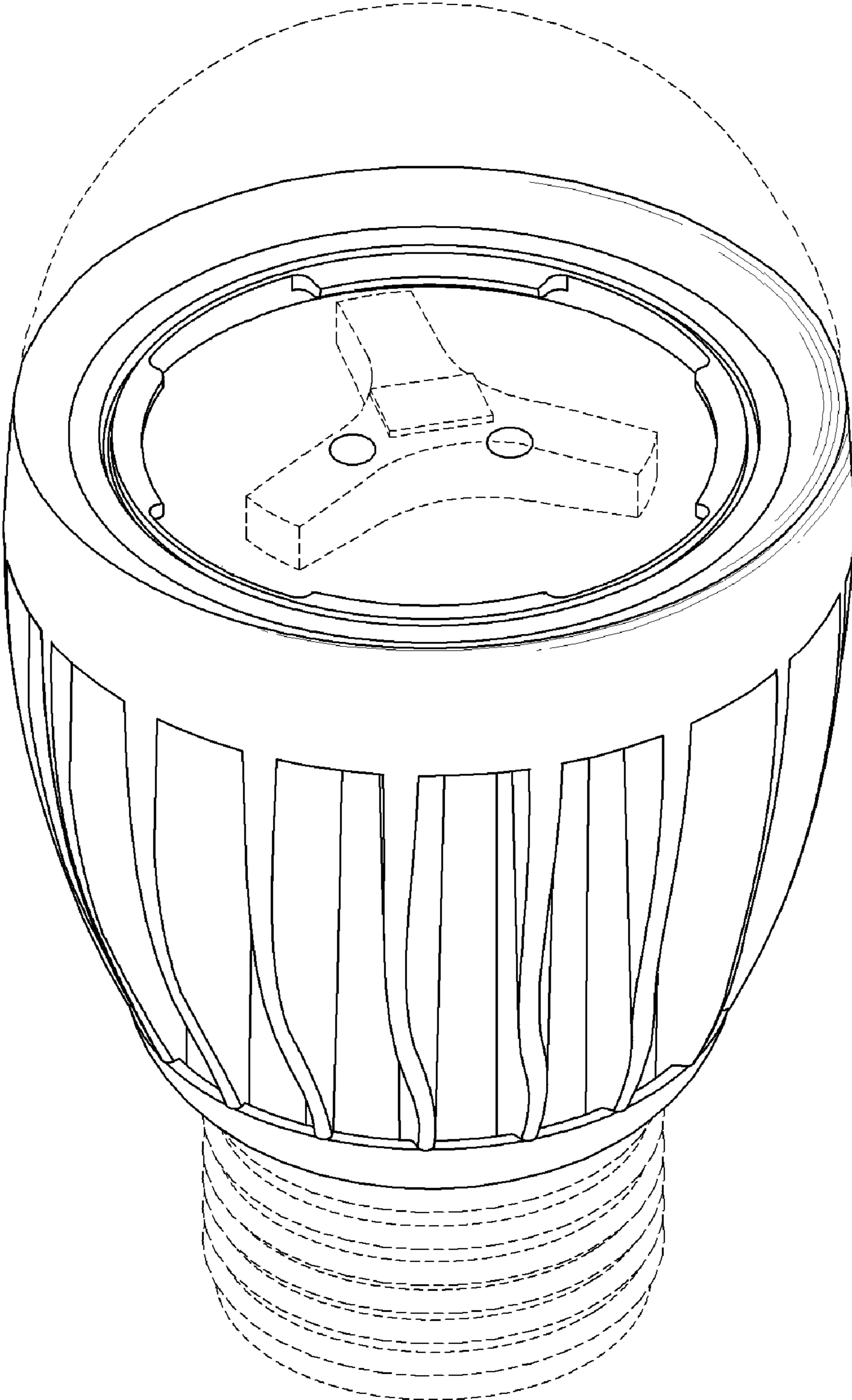


FIG. 8