



US00D650493S

(12) **United States Design Patent**
Curtas

(10) **Patent No.:** **US D650,493 S**

(45) **Date of Patent:** **** Dec. 13, 2011**

(54) **POST WRAP**

(75) Inventor: **Luke D. Curtas**, Fredericksburg, VA (US)

(73) Assignee: **Mid Atlantic Vinyl Products, Inc.**, Fredericksburg, VA (US)

(**) Term: **14 Years**

(21) Appl. No.: **29/372,486**

(22) Filed: **Nov. 27, 2010**

(51) **LOC (9) Cl.** **25-01**

(52) **U.S. Cl.** **D25/126**

(58) **Field of Classification Search** D25/125,
D25/126; 256/1, 65.01; 52/423, 169.14,
52/273, 834, 835, 745.06; 405/216, 257,
405/254

See application file for complete search history.

(56) **References Cited**

U.S. PATENT DOCUMENTS

3,196,495 A * 7/1965 Owen 49/400
5,899,044 A * 5/1999 Jarrett 52/834
6,364,575 B1 * 4/2002 Bradley et al. 405/216

6,840,507 B2 * 1/2005 Brown 256/65.01
D583,081 S * 12/2008 Ryan D25/126
2006/0117704 A1 * 6/2006 Yoon et al. 52/737.4

* cited by examiner

Primary Examiner — Doris Clark

(74) *Attorney, Agent, or Firm* — Jeffrey D. Carter

(57) **CLAIM**

The ornamental design of a post wrap, as shown and described.

DESCRIPTION

FIG. 1 is a perspective view of the post wrap of the present invention;

FIG. 2 is a front view thereof, the rear view being a mirror image of the front view;

FIG. 3 is a right side view thereof;

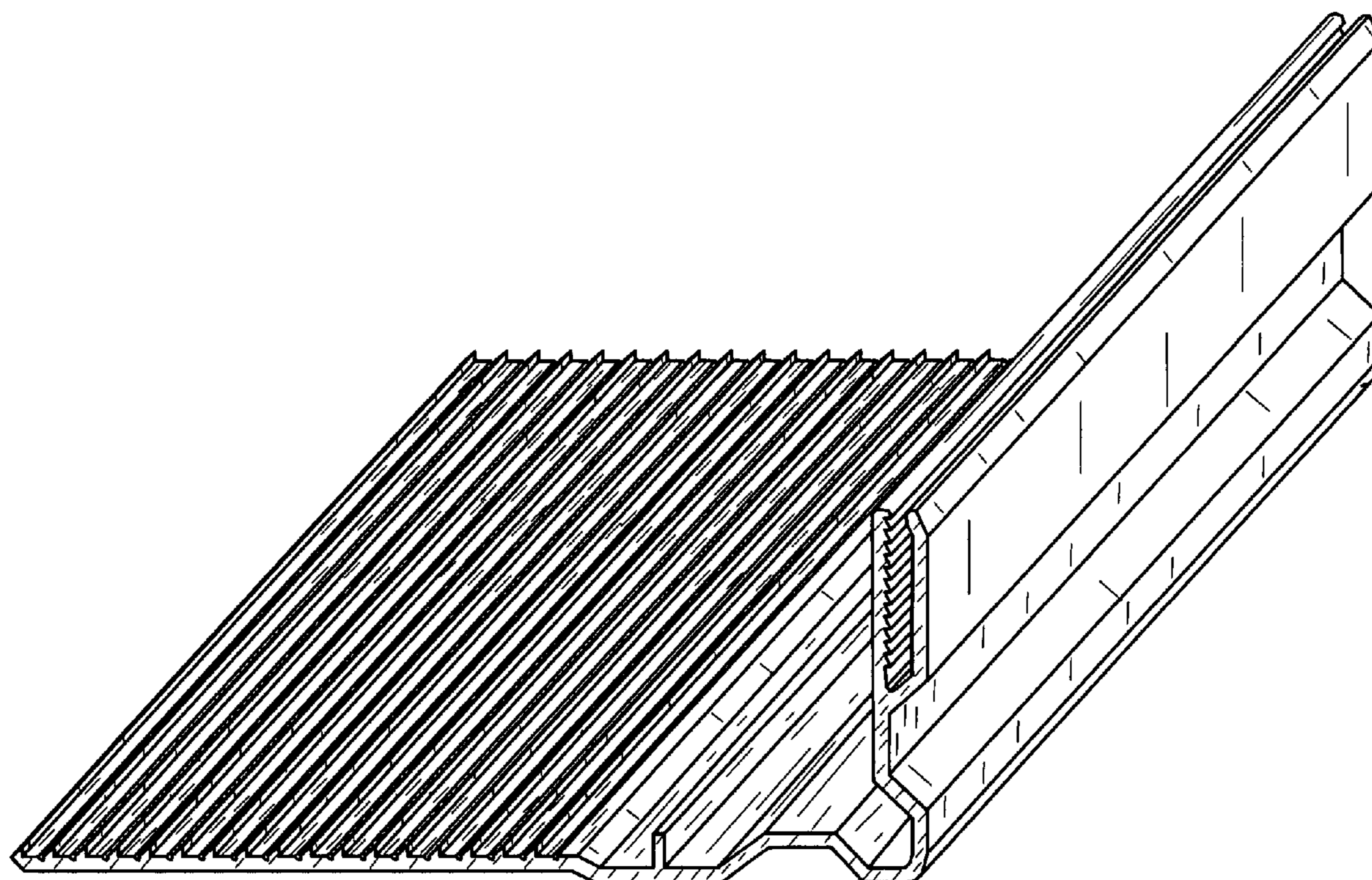
FIG. 4 is a left side view thereof;

FIG. 5 is a top view thereof; and,

FIG. 6 is a bottom view thereof.

The disclosed post wrap may be used in various applications, such as construction applications including decking, fencing and/or other applications, and more specifically, the disclosed post wrap may be used to wrap the exterior of a post, column and/or other structure.

1 Claim, 6 Drawing Sheets



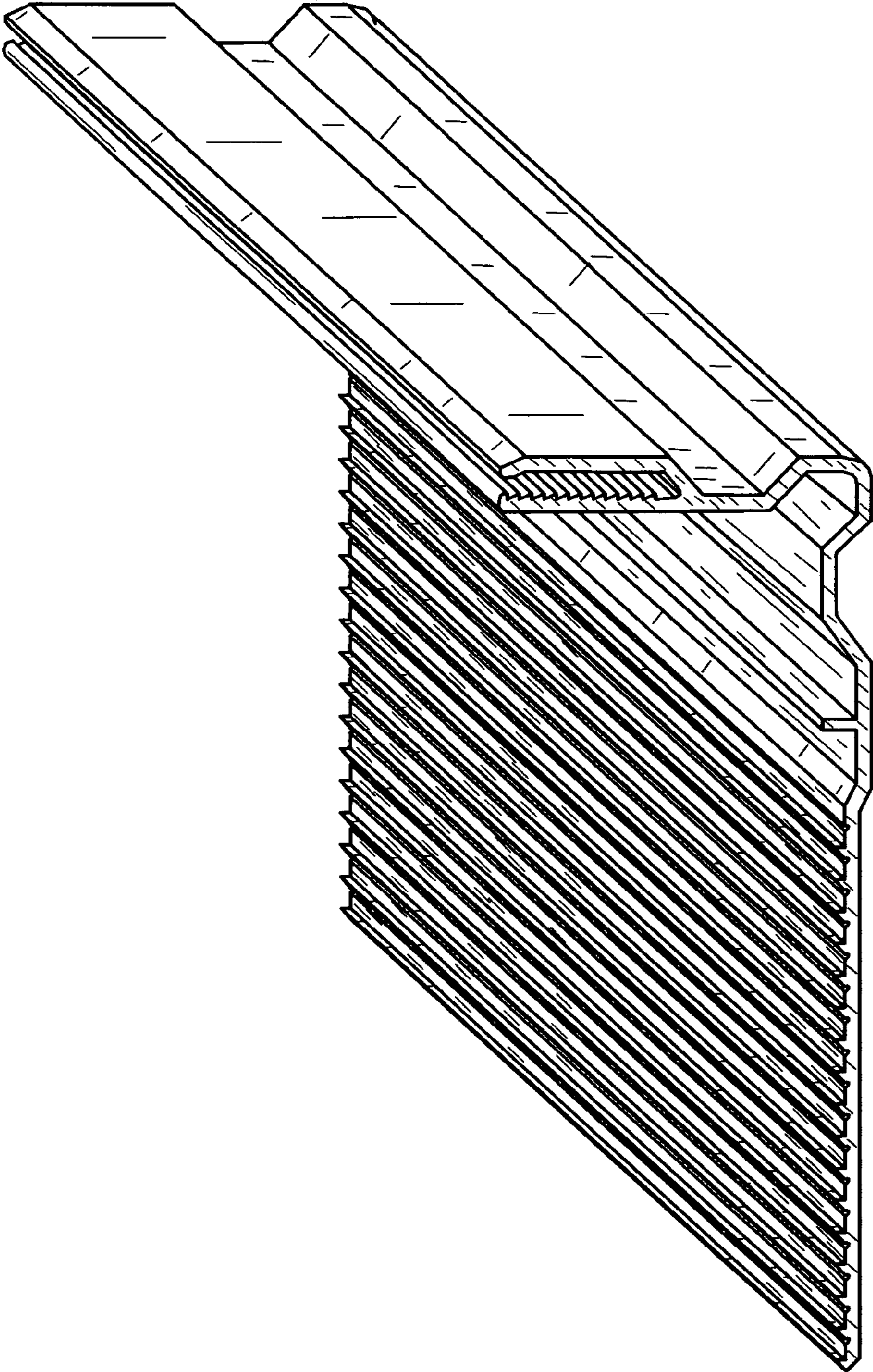


FIG. 1

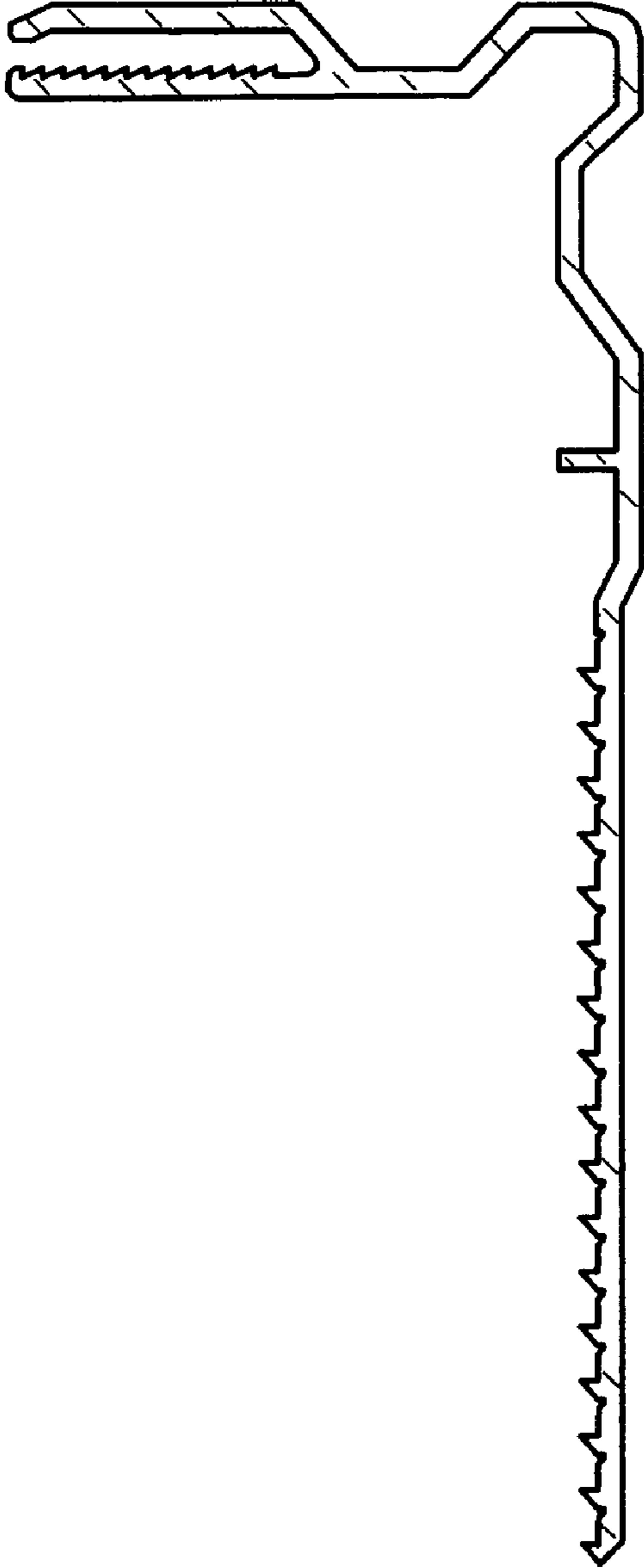


FIG. 2

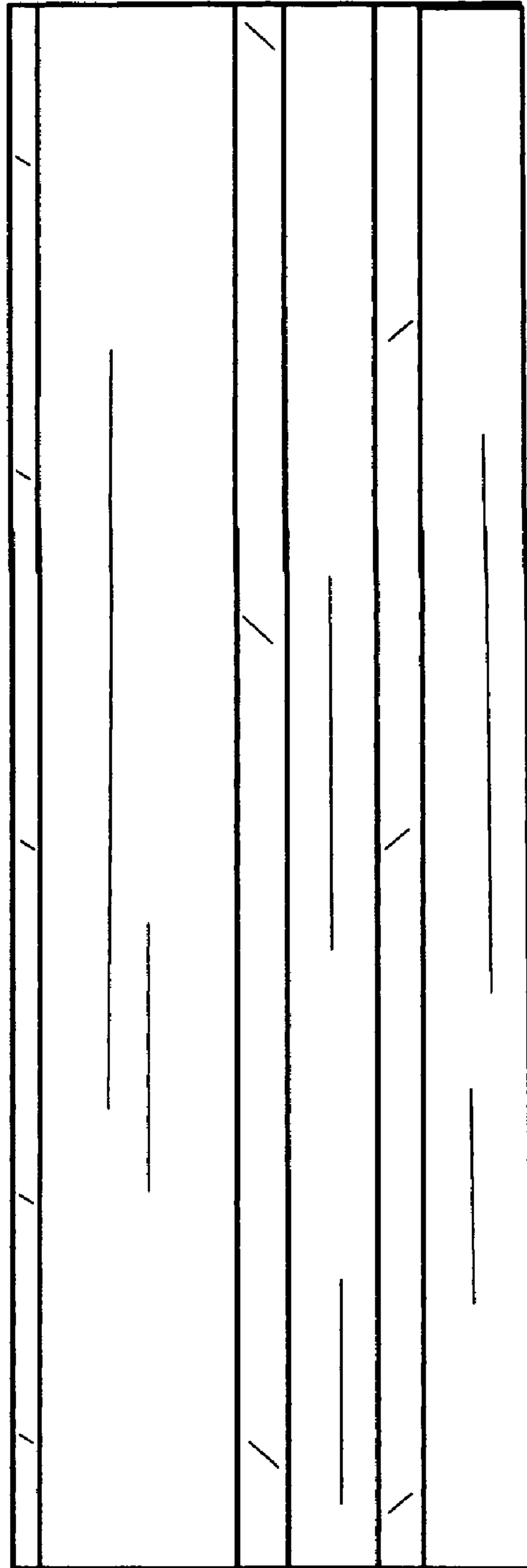


FIG. 3

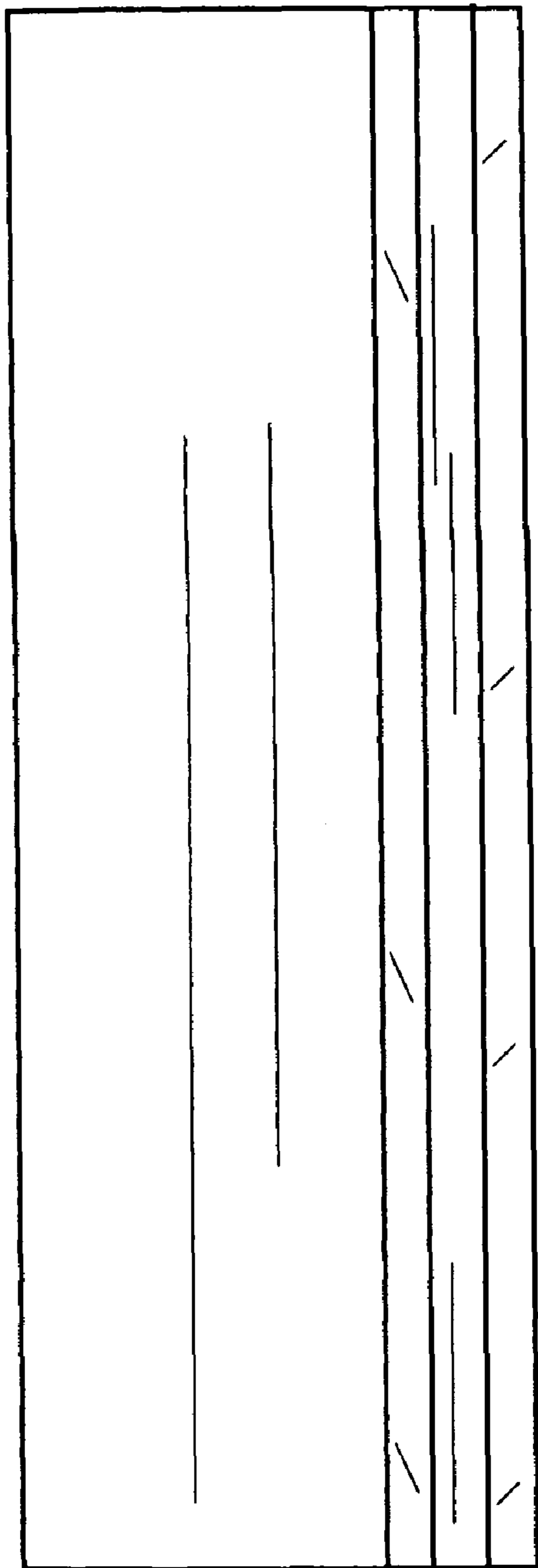


FIG. 4

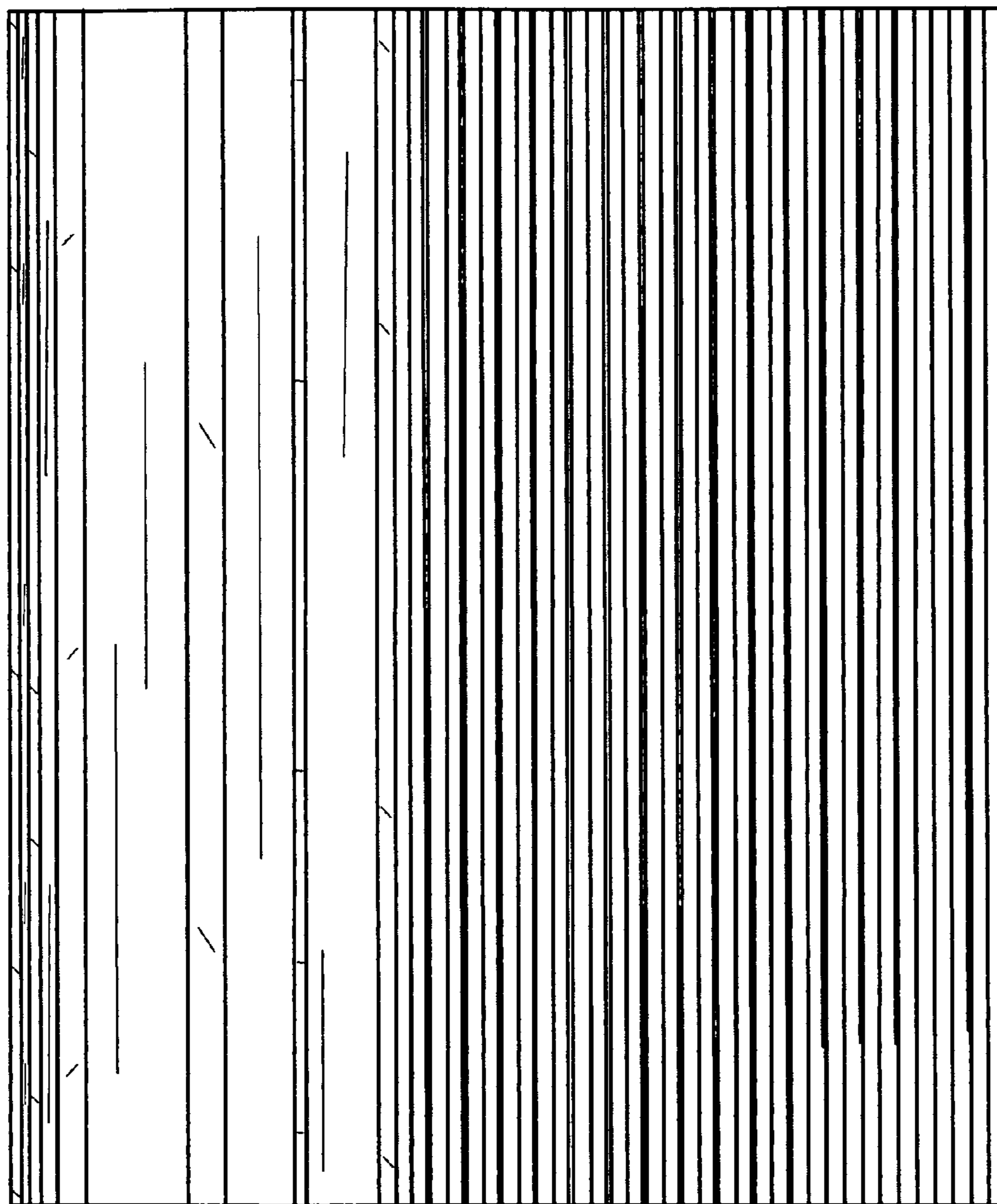


FIG. 5

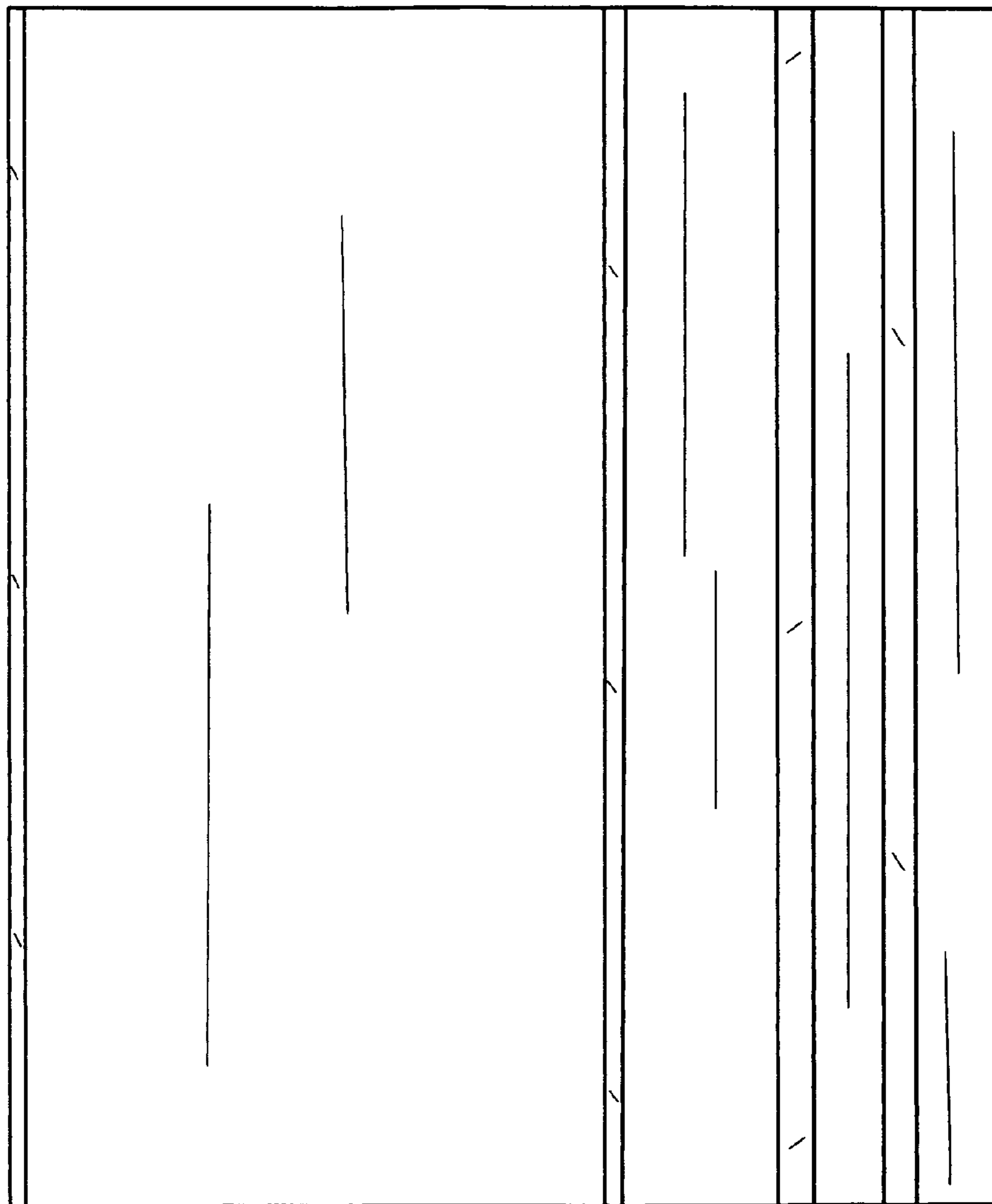


FIG. 6