



US00D650486S

(12) **United States Design Patent**  
**Cowan et al.**

(10) **Patent No.:** **US D650,486 S**

(45) **Date of Patent:** **\*\* Dec. 13, 2011**

(54) **PHOTO THERMAL THERAPY DEVICE**

(75) Inventors: **David M. Cowan**, Brooklyn, NY (US);  
**Ronald S. Shapiro**, Toledo, OH (US);  
**David B. Sutton**, Monroe, MI (US);  
**Pepin S. Gelardi**, Brooklyn, NY (US)

(73) Assignee: **Physician's Technology, LLC**, Monroe, MI (US)

(\*\*) Term: **14 Years**

(21) Appl. No.: **29/369,638**

(22) Filed: **Sep. 10, 2010**

(51) **LOC (9) Cl.** ..... **28-03**

(52) **U.S. Cl.** ..... **D24/209**

(58) **Field of Classification Search** ..... D24/210,  
D24/209, 200, 158, 176; 362/555, 545, 800,  
362/294, 249, 267; D26/29, 37, 39, 41, 104;  
606/2-4, 16, 131; 607/88-96; 433/29; D29/121.1;  
601/15, DIG. 5; D13/108

See application file for complete search history.

(56) **References Cited**

U.S. PATENT DOCUMENTS

D240,082 S \* 5/1976 Garwood ..... D24/210  
D256,176 S \* 8/1980 Rule ..... D29/121.1  
5,327,886 A 7/1994 Chiu  
D432,655 S \* 10/2000 Benders ..... D24/158  
6,187,029 B1 2/2001 Shapiro et al.  
D465,069 S \* 10/2002 Criddell ..... D29/121.1  
6,598,994 B1 \* 7/2003 Tait et al. .... 362/800  
D492,068 S 6/2004 Peterson et al.  
D509,183 S \* 9/2005 Solland et al. .... D13/108  
D551,346 S \* 9/2007 Lenfant et al. .... D24/158  
D557,418 S \* 12/2007 Onuma et al. .... D24/158  
D564,096 S \* 3/2008 Banryu ..... D24/158  
D566,843 S \* 4/2008 Ogiwara ..... D24/158  
D588,310 S \* 3/2009 Dancyger et al. .... D29/121.1

D590,504 S \* 4/2009 Ogiwara ..... D24/158  
D591,862 S \* 5/2009 Taniguchi et al. .... D24/158  
2006/0229689 A1 10/2006 Ferguson et al.

FOREIGN PATENT DOCUMENTS

GB 2378388 A 12/2003

OTHER PUBLICATIONS

Nuga Medical Co., Inc NM-70 Infrared Heat for Pain in Knee and Shoulder, printed from [http://www.nugabest.dk/products\\_nm70\\_english.html](http://www.nugabest.dk/products_nm70_english.html), Apr. 13, 2007.

\* cited by examiner

Primary Examiner — David Muller

(74) Attorney, Agent, or Firm — Brooks Kushman P.C.

(57) **CLAIM**

The ornamental design for a photo thermal therapy device, as shown and described.

**DESCRIPTION**

FIG. 1 is a perspective view of the photo thermal therapy device;

FIG. 2 is a top plan view thereof;

FIG. 3 is a rear elevation view thereof;

FIG. 4 is a front elevation view thereof;

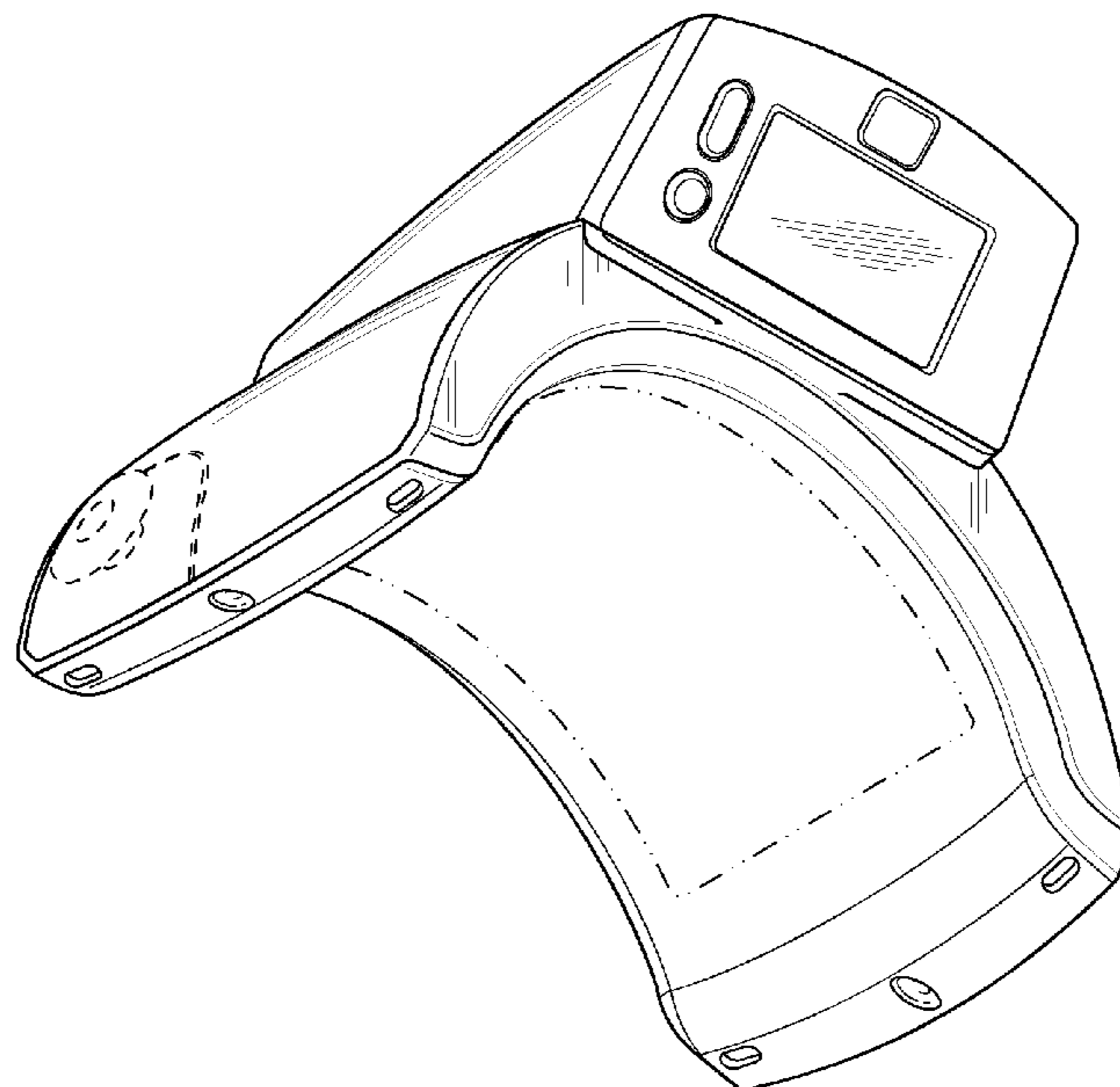
FIG. 5 is a bottom plan view thereof;

FIG. 6 is a left side elevation view thereof; and,

FIG. 7 is a right side elevation view of the present invention.

The broken lines immediately adjacent to the edge of the opening in FIGS. 1 and 5 represent the boundaries of the claimed design. The remaining broken lines in the figures illustrate the portions of the design that form no part of the claimed design. None of the broken lines form any part of the claimed design.

**1 Claim, 3 Drawing Sheets**



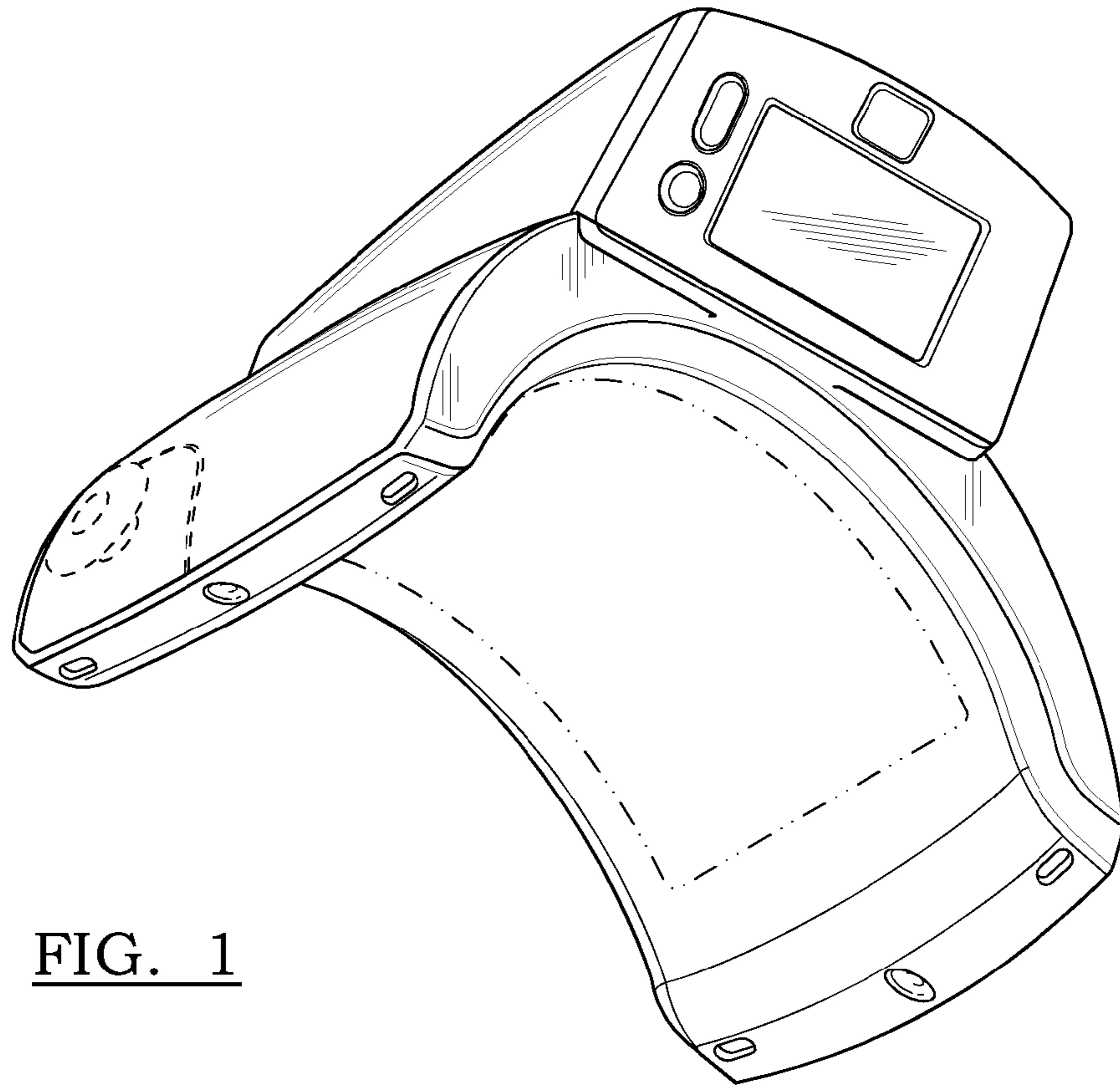


FIG. 1

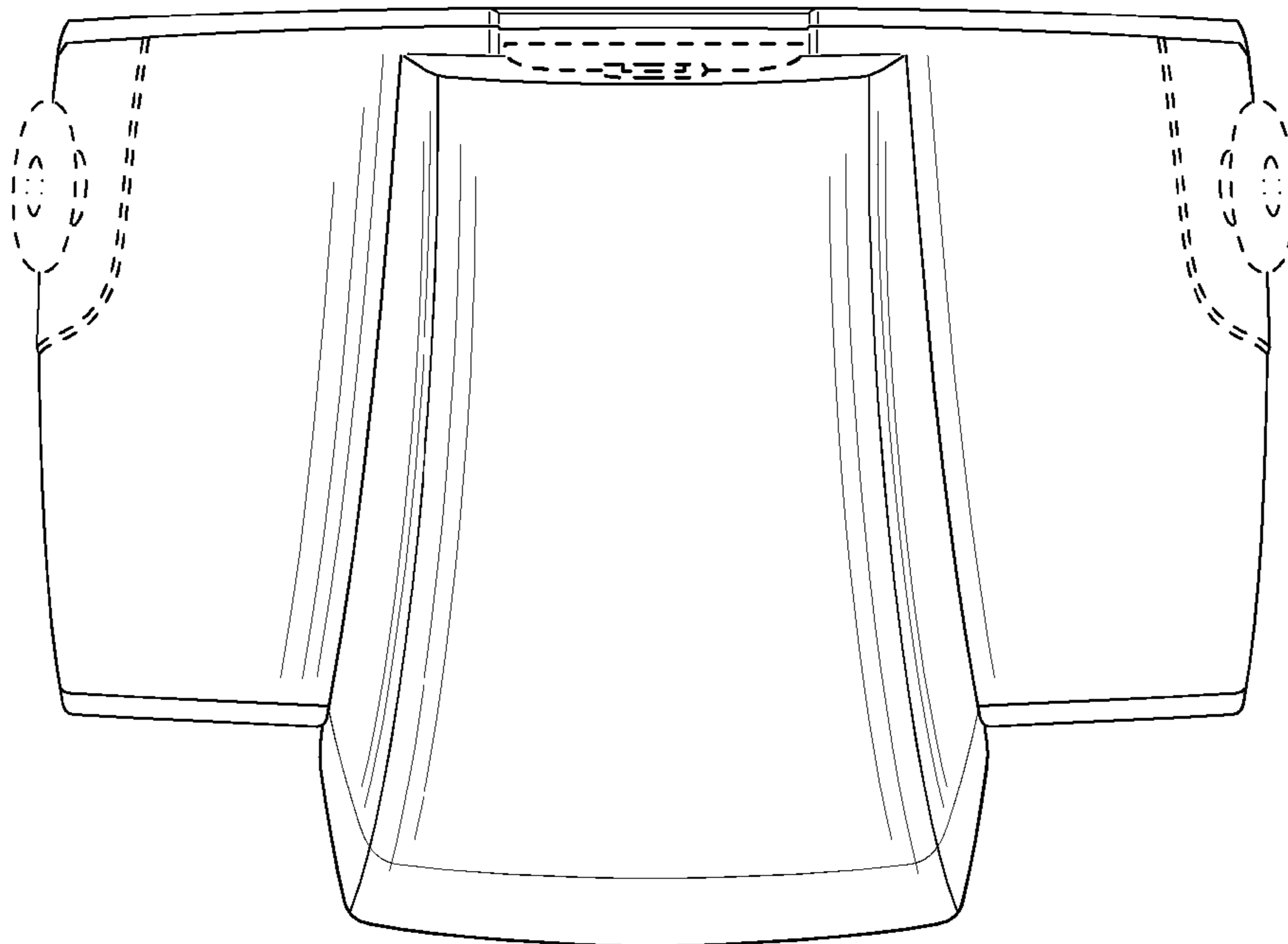


FIG. 2

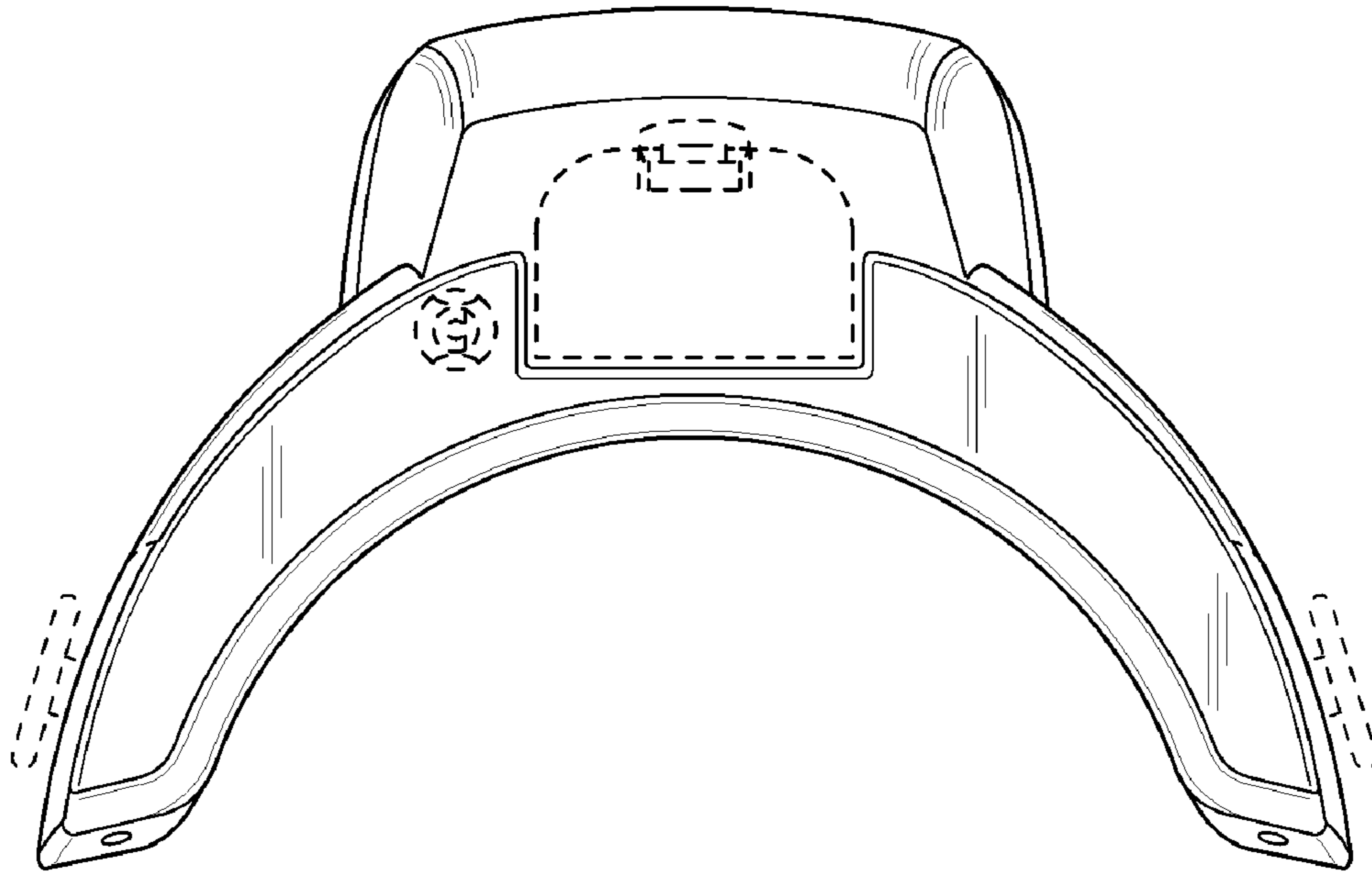


FIG. 3

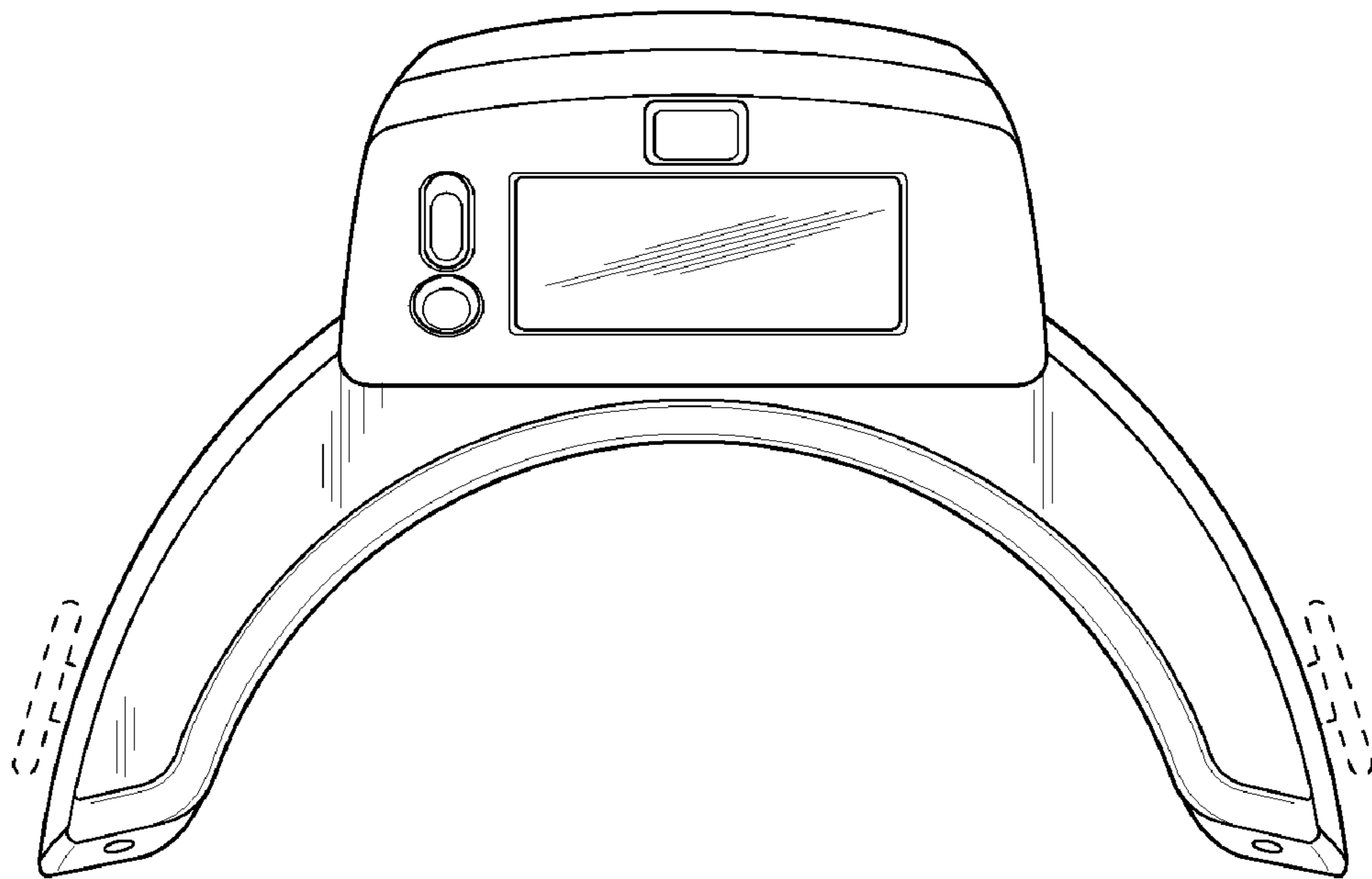


FIG. 4

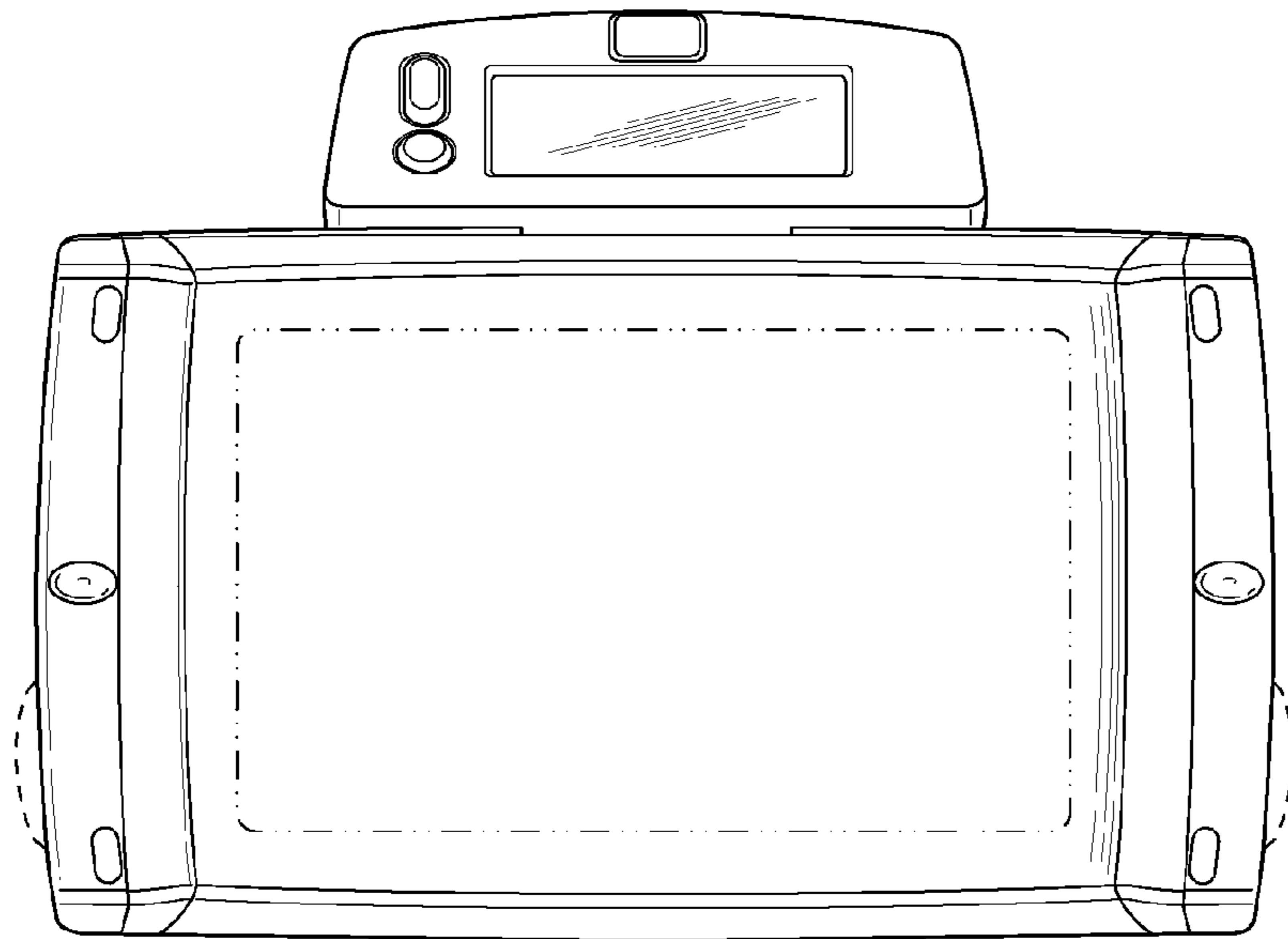


FIG. 5

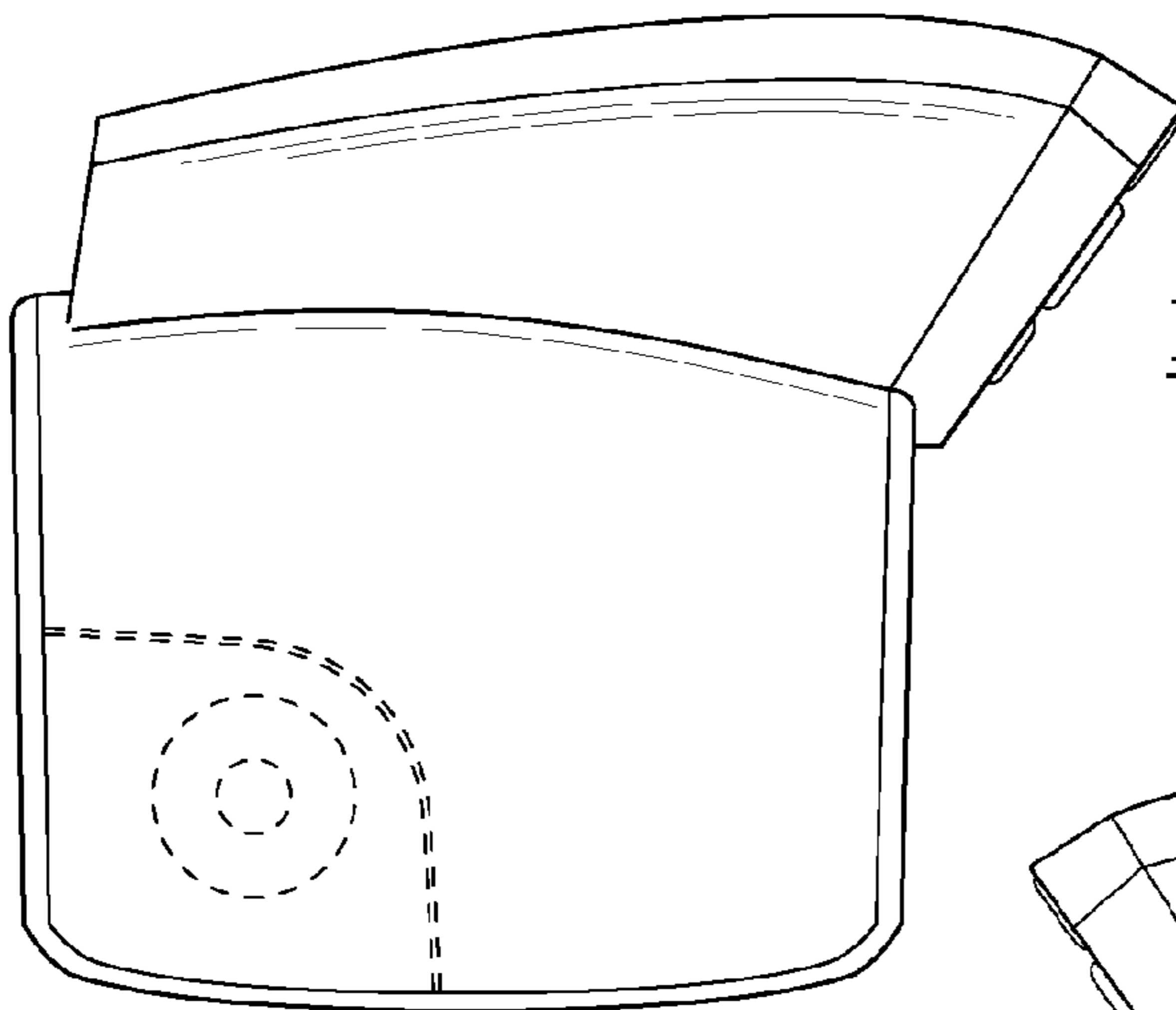


FIG. 6

FIG. 7

