



US00D650484S

(12) **United States Design Patent**
Shinohara et al.

(10) **Patent No.:** **US D650,484 S**

(45) **Date of Patent:** **** Dec. 13, 2011**

(54) **MEDICAL ULTRASOUND EQUIPMENT**

(75) Inventors: **Noriyuki Shinohara**, Ehime (JP);
Tamotsu Senda, Ehime (JP); **Ryosuke Tani**, Ehime (JP)

(73) Assignee: **Panasonic Corporation**, Osaka (JP)

(**) Term: **14 Years**

(21) Appl. No.: **29/387,979**

(22) Filed: **Mar. 22, 2011**

(30) **Foreign Application Priority Data**

Oct. 27, 2010 (JP) 2010-025774

(51) **LOC (9) Cl.** **24-01**

(52) **U.S. Cl.** **D24/186**

(58) **Field of Classification Search** D24/107,
D24/111, 164-165, 168-169, 185-186, 160,
D24/232; D10/81, 104; 607/2, 5, 36, 129;
128/900; 600/301, 481, 483-485, 509, 513,
600/519, 544; D14/371

See application file for complete search history.

(56) **References Cited**

U.S. PATENT DOCUMENTS

D303,255 S *	9/1989	Bratasevec	D14/371
D393,072 S *	3/1998	Rogler	D24/186
D395,513 S *	6/1998	Rogler	D24/186
D414,870 S *	10/1999	Saltzstein et al.	D24/186
D427,315 S *	6/2000	Saltzstein et al.	D24/186
D522,657 S	6/2006	Murphy et al.		
D550,364 S *	9/2007	Glover et al.	D24/186
D558,351 S	12/2007	Diener et al.		
D562,456 S *	2/2008	Scruggs et al.	D24/160
D590,509 S *	4/2009	Costa	D24/186
D606,659 S *	12/2009	Kiani et al.	D24/186
D608,452 S *	1/2010	Huang	D24/186
D609,349 S	2/2010	Pelissier et al.		

D611,151 S *	3/2010	Lei	D24/169
D612,274 S *	3/2010	Heidemann et al.	D10/81
D612,503 S *	3/2010	Johnston et al.	D24/186
D613,411 S *	4/2010	Collins et al.	D24/186
D621,515 S *	8/2010	Chua et al.	D24/186
D622,856 S *	8/2010	Ramsey	D24/186
D622,857 S *	8/2010	Ramsey	D24/186
D624,654 S *	9/2010	Shimizu	D24/186
D629,113 S	12/2010	Wodecki		
D629,523 S	12/2010	Porter et al.		
D643,936 S *	8/2011	Oonuma et al.	D24/232

FOREIGN PATENT DOCUMENTS

JP	D981239	5/1997
JP	D996182	11/1997
JP	D1127577	12/2001
JP	D1127964	12/2001

* cited by examiner

Primary Examiner — T. Chase Nelson

Assistant Examiner — Mark Cavanna

(74) *Attorney, Agent, or Firm* — Brinks Hofer Gilson & Lione

(57) **CLAIM**

We claim the ornamental design for medical ultrasound equipment, as shown and described.

DESCRIPTION

FIG. 1 is a front perspective view of medical ultrasound equipment showing my new design;
FIG. 2 is a rear perspective view thereof;
FIG. 3 is a front view thereof;
FIG. 4 is a rear view thereof;
FIG. 5 is a first side view thereof;
FIG. 6 is a second side view thereof;
FIG. 7 is a top view thereof; and,
FIG. 8 is a bottom view thereof.
The broken lines depict portions of the medical ultrasound equipment that form no part of the claimed design.

1 Claim, 6 Drawing Sheets

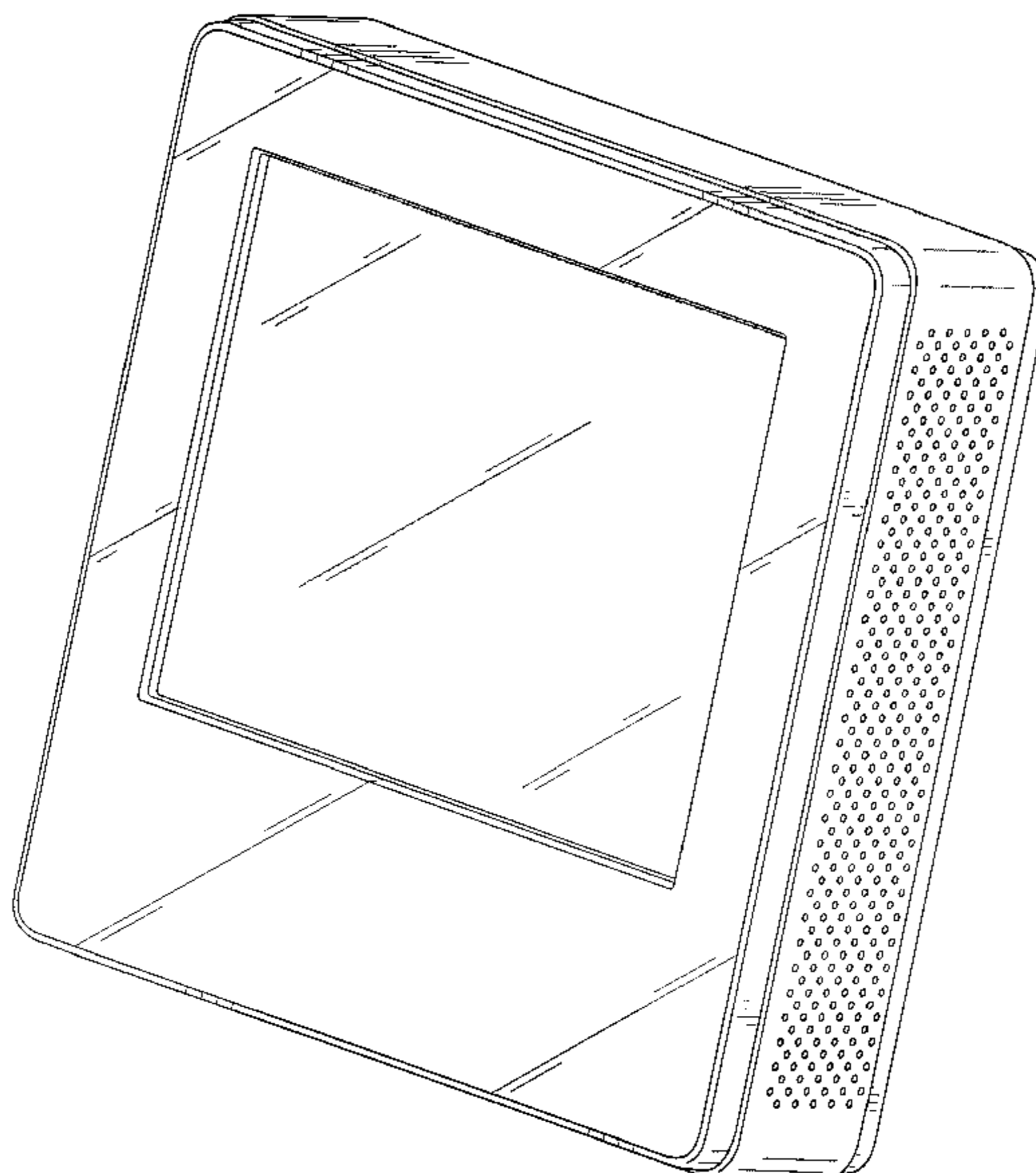


FIG.1

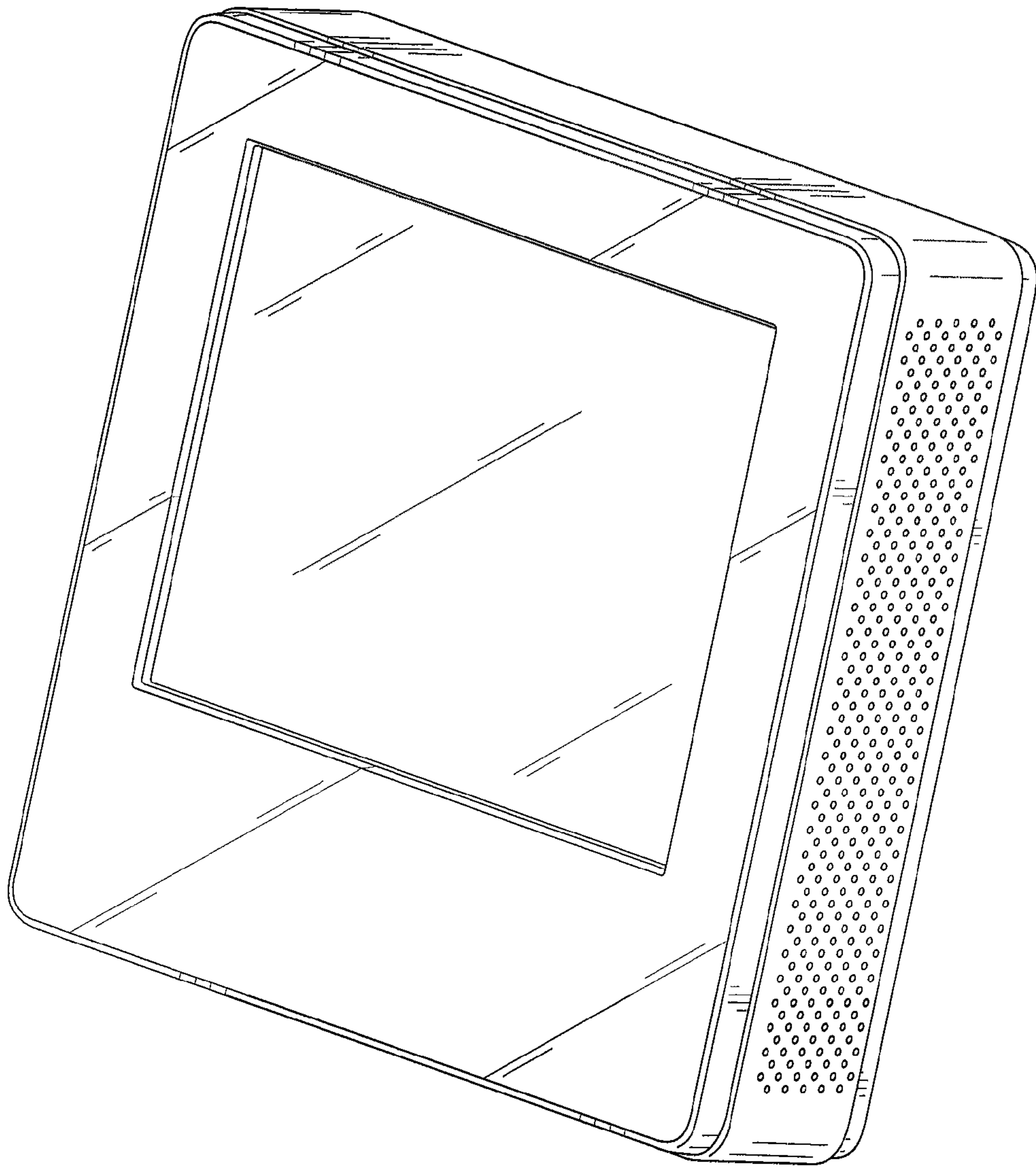


FIG.2

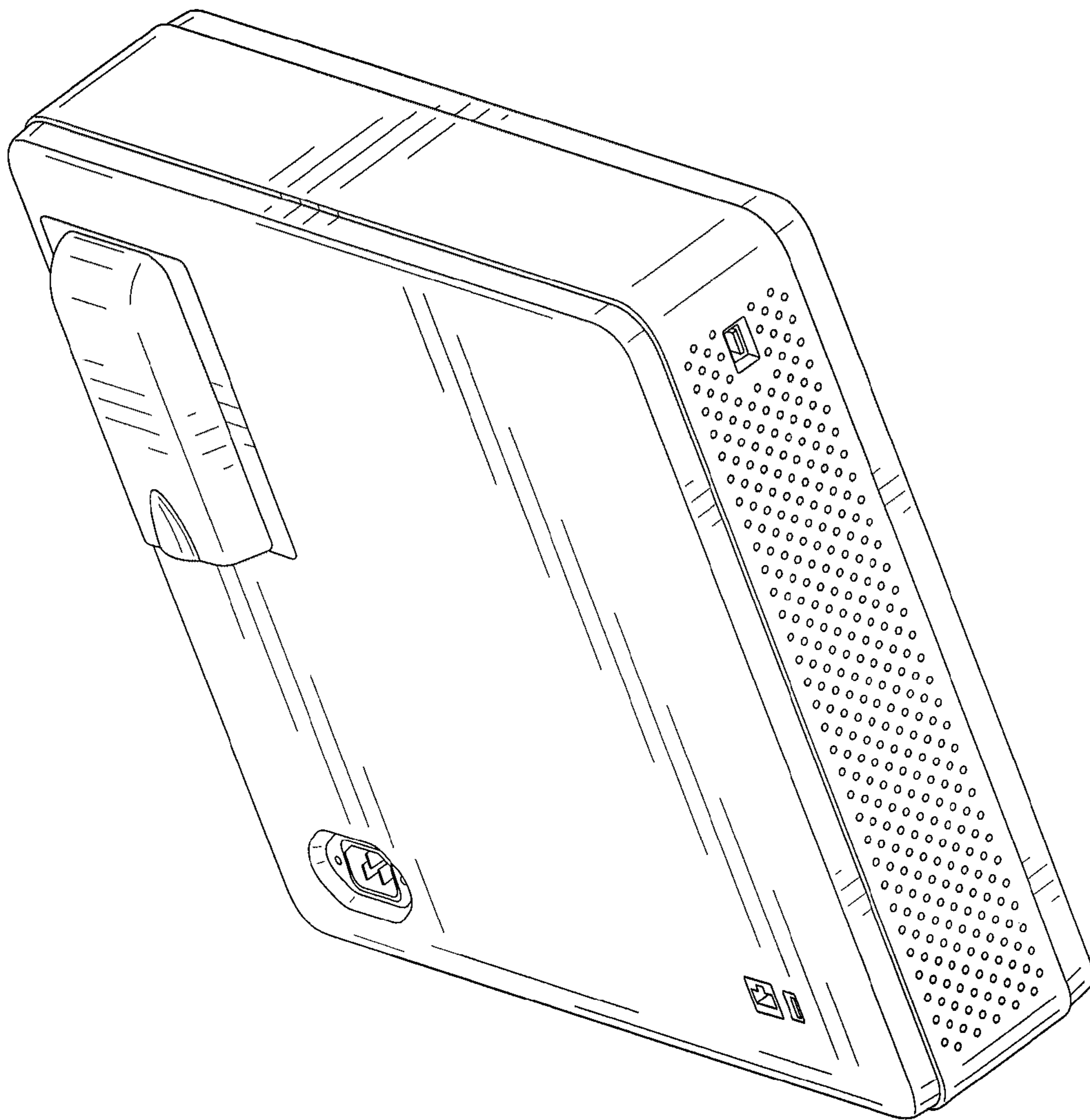


FIG.3

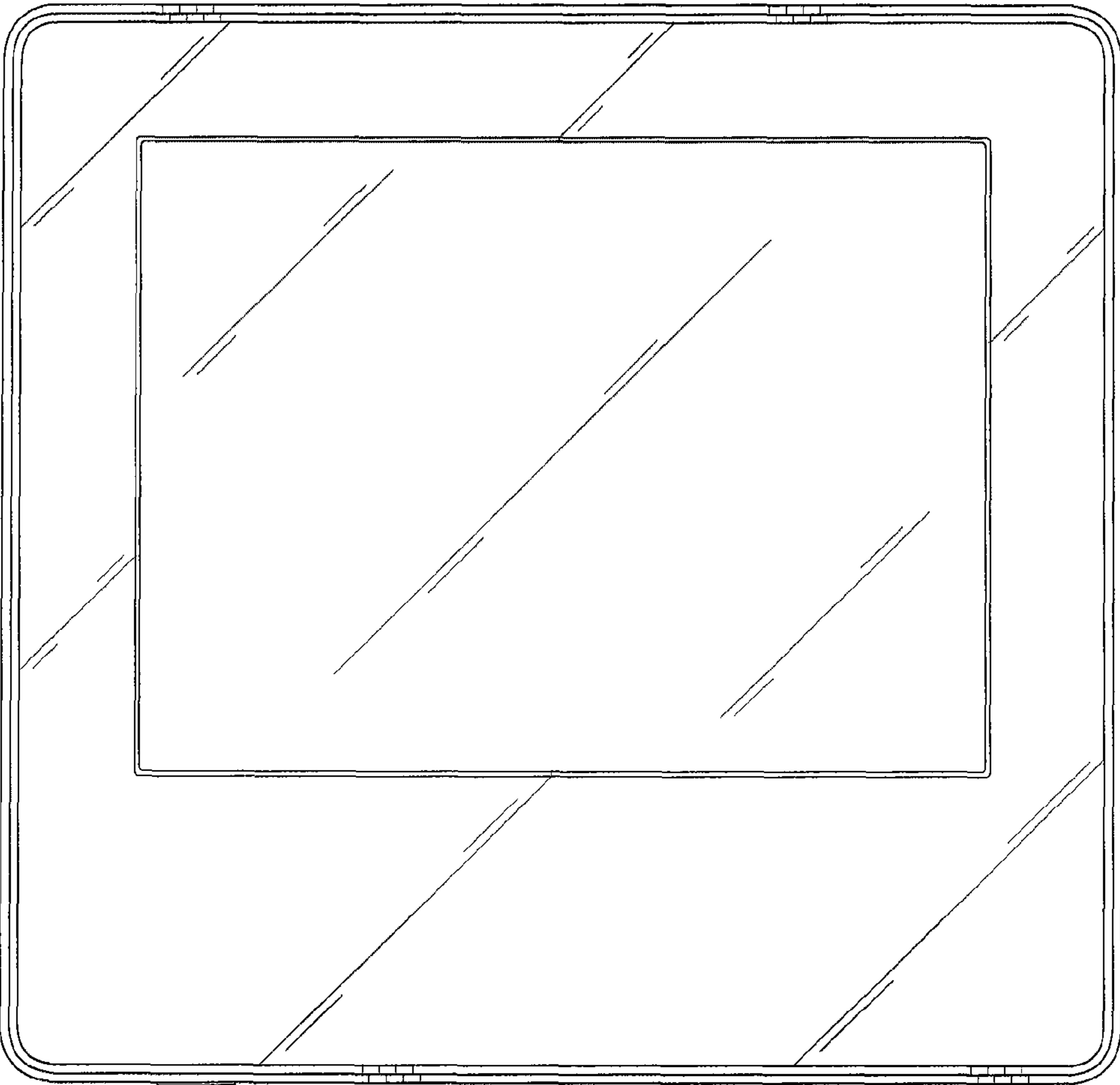


FIG.4

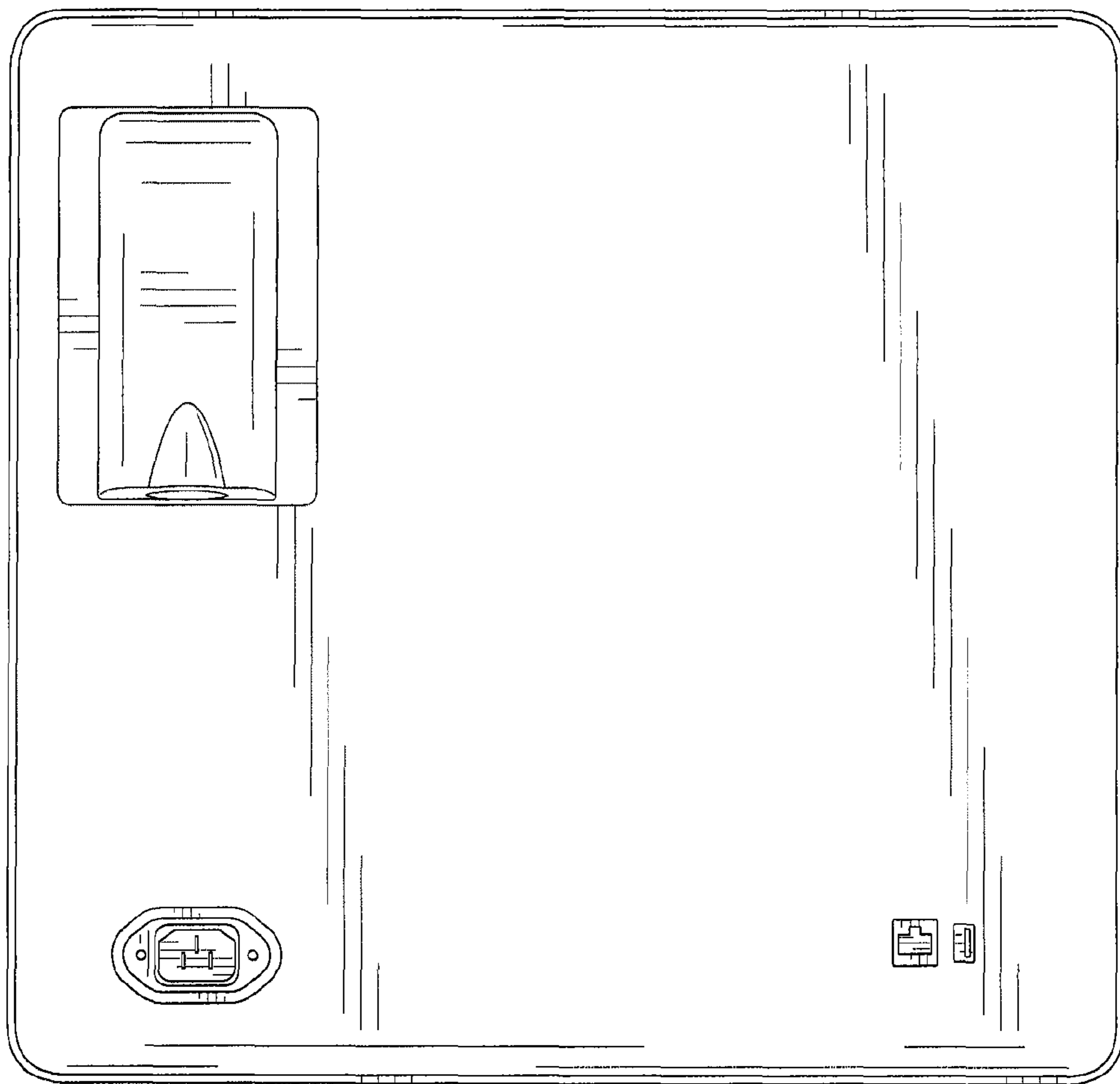


FIG.5

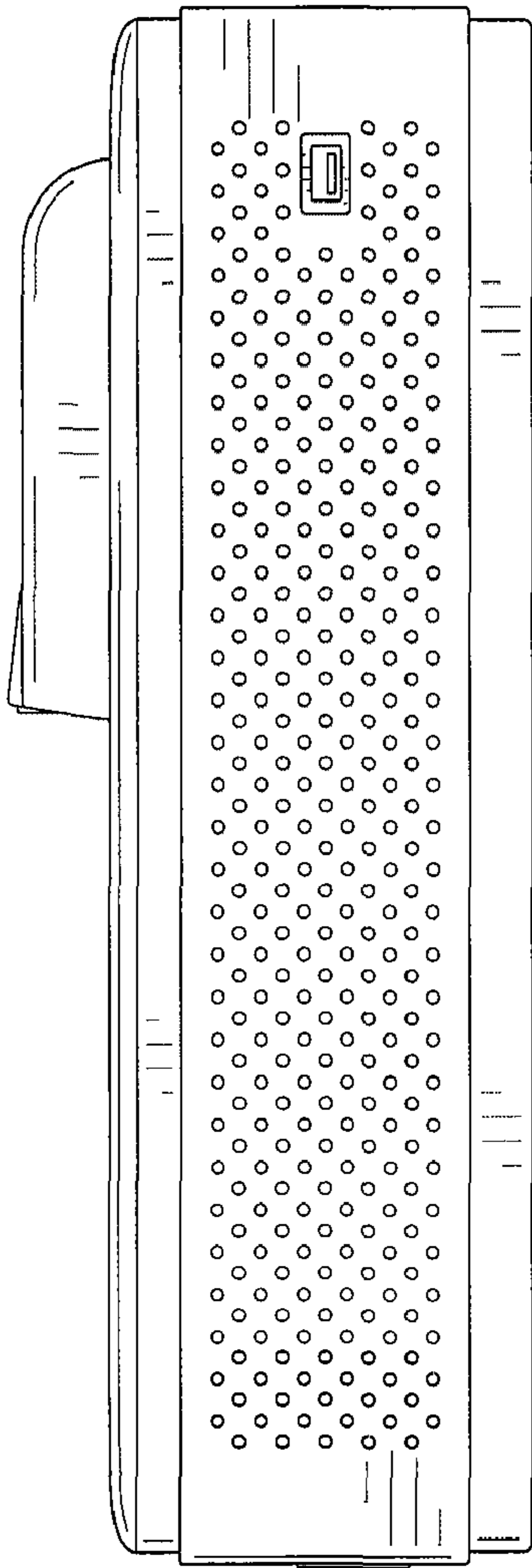


FIG.6

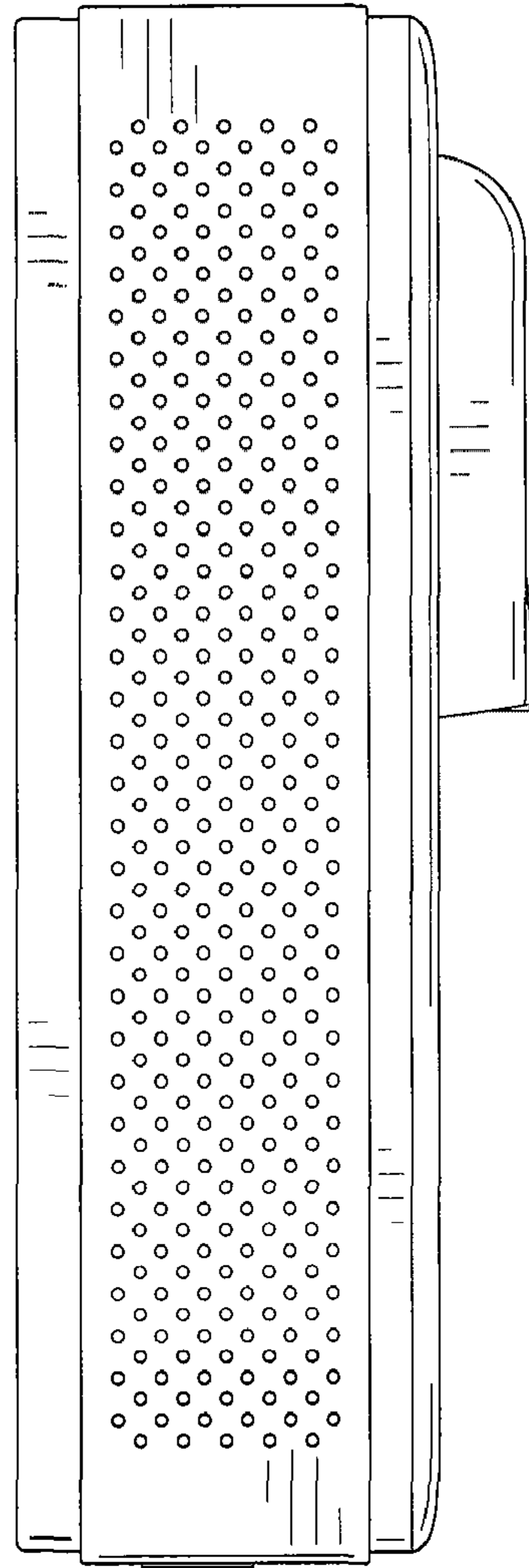


FIG.7

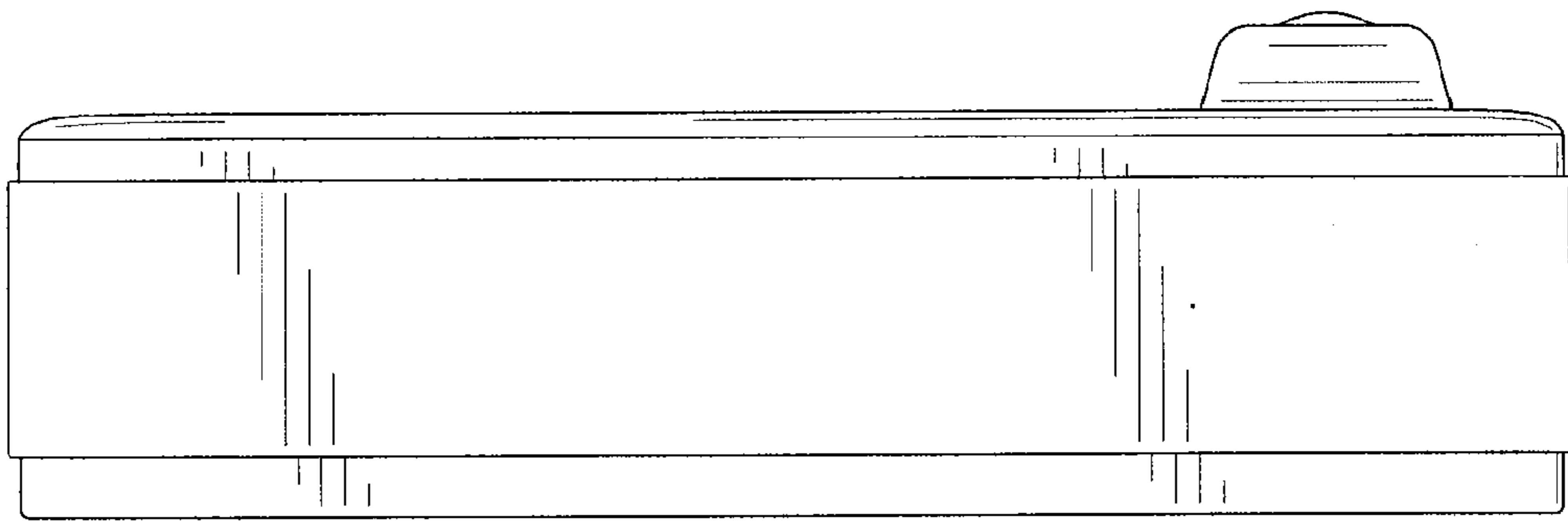


FIG.8

