



US00D650482S

(12) **United States Design Patent**
Kim et al.

(10) **Patent No.:** **US D650,482 S**

(45) **Date of Patent:** **** Dec. 13, 2011**

(54) **ULTRASONIC DIAGNOSTIC EQUIPMENT**

(75) Inventors: **Yun-Su Kim**, Seoul (KR); **Ki-Soo Kim**,
Kyunggi-do (KR); **Jae-Hwa Moon**,
Seoul (KR); **Sang-Min Hyun**, Seoul
(KR)

(73) Assignee: **Samsung Electronics Co., Ltd.**, Suwon,
Kyunggi-Do (KR)

(**) Term: **14 Years**

(21) Appl. No.: **29/372,408**

(22) Filed: **Nov. 16, 2010**

(51) **LOC (9) Cl.** **24-01**

(52) **U.S. Cl.** **D24/158**

(58) **Field of Classification Search** D24/158-161,
D24/186, 183-185; 378/4, 15, 17, 20, 21,
378/23-27, 62, 68, 146; 600/437, 440, 442,
600/443; 128/916, 922

See application file for complete search history.

(56) **References Cited**

U.S. PATENT DOCUMENTS

D365,148 S	*	12/1995	Murakami et al.	D24/160
D379,231 S	*	5/1997	Ungari	D24/160
D398,059 S	*	9/1998	Kwak	D24/160
D512,508 S	*	12/2005	Mesaros	D24/185
D560,807 S	*	1/2008	Kitayama et al.	D24/158
D571,011 S	*	6/2008	Otoha et al.	D24/158

D626,236 S	*	10/2010	Ninomiya et al.	D24/185
7,857,541 B2	*	12/2010	Gong	600/437
D630,752 S	*	1/2011	Suzuki	D24/158
2007/0270694 A1	*	11/2007	Pelissier et al.	600/443
2008/0132789 A1	*	6/2008	Malchow et al.	600/443
2009/0076385 A1	*	3/2009	Jackson et al.	600/437

* cited by examiner

Primary Examiner — Anhdao Doan

(74) *Attorney, Agent, or Firm* — Flynn, Thiel, Boutell &
Tanis, P.C.

(57) **CLAIM**

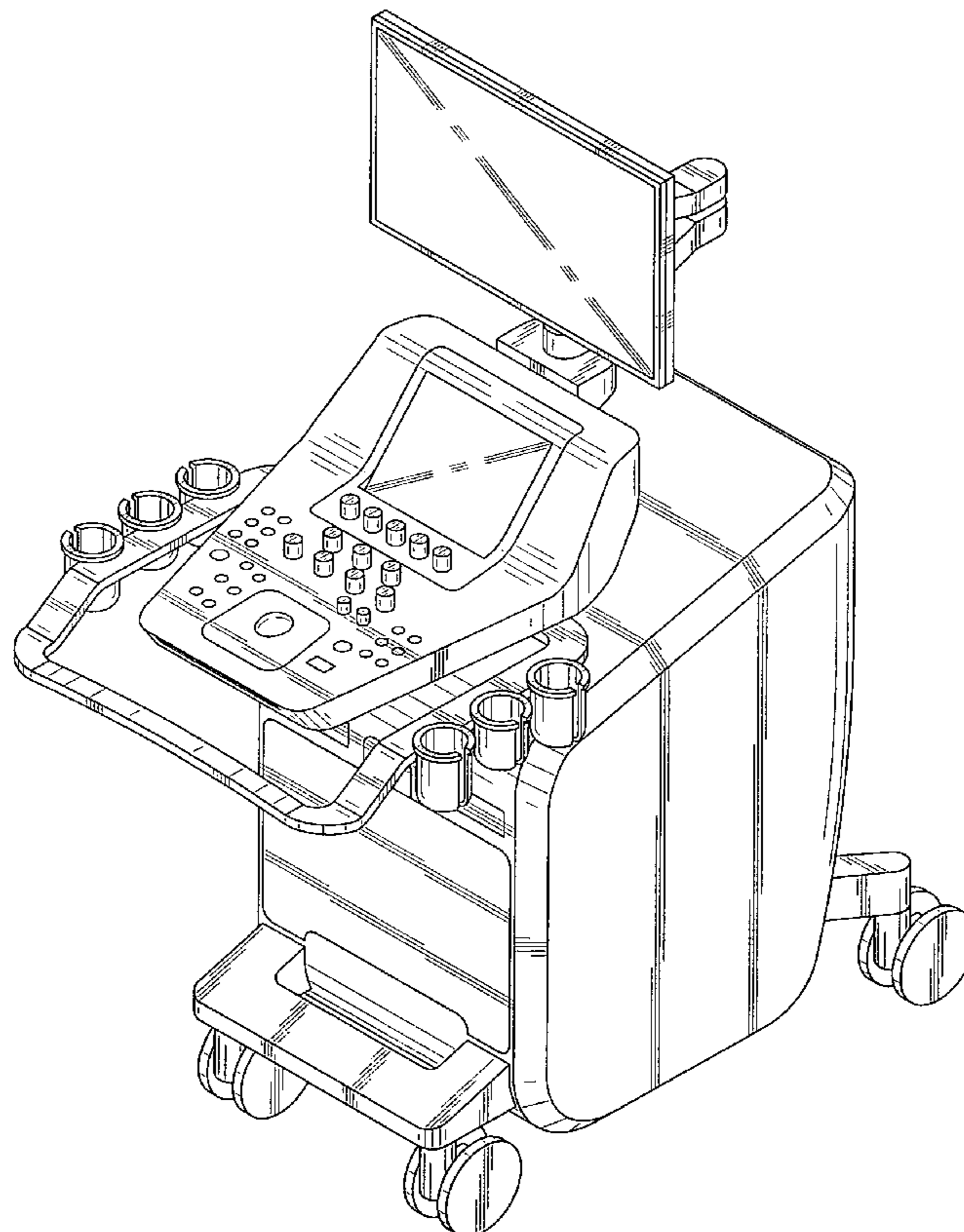
The ornamental design for an ultrasonic diagnostic equip-
ment, as shown and described.

DESCRIPTION

FIG. 1 is a top front perspective view of an ultrasonic diag-
nostic equipment showing our new design;
FIG. 2 is a front elevational view thereof;
FIG. 3 is a rear elevational view thereof;
FIG. 4 is a left side elevational view thereof;
FIG. 5 is a right side elevational view thereof;
FIG. 6 is a top plan view thereof; and,
FIG. 7 is a bottom plan view thereof.

The broken lines in FIGS. 3 and 7 are included for the purpose
of illustrating portions of the ultrasonic diagnostic equipment
that form no part of the claimed design.

1 Claim, 7 Drawing Sheets



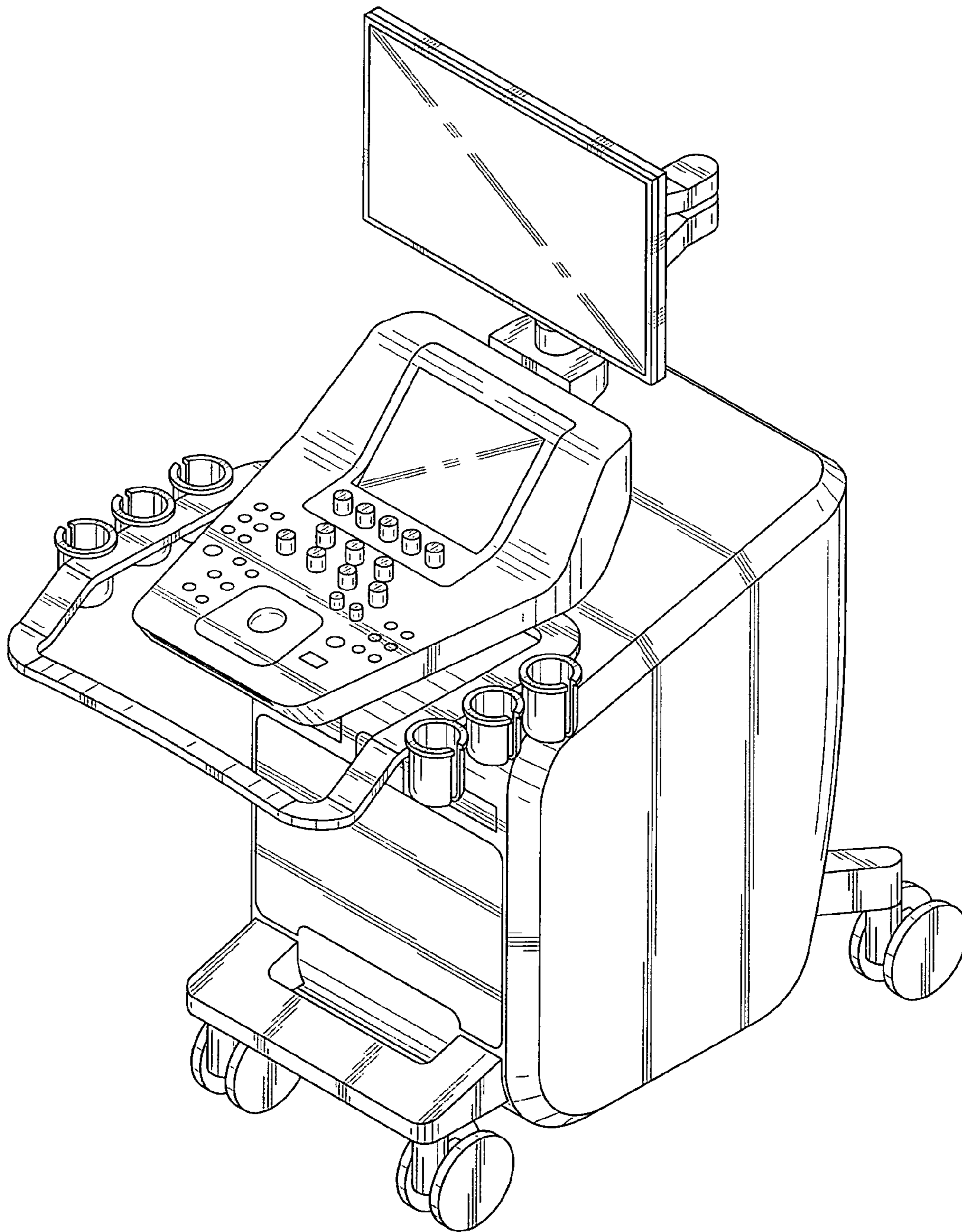


FIG.1

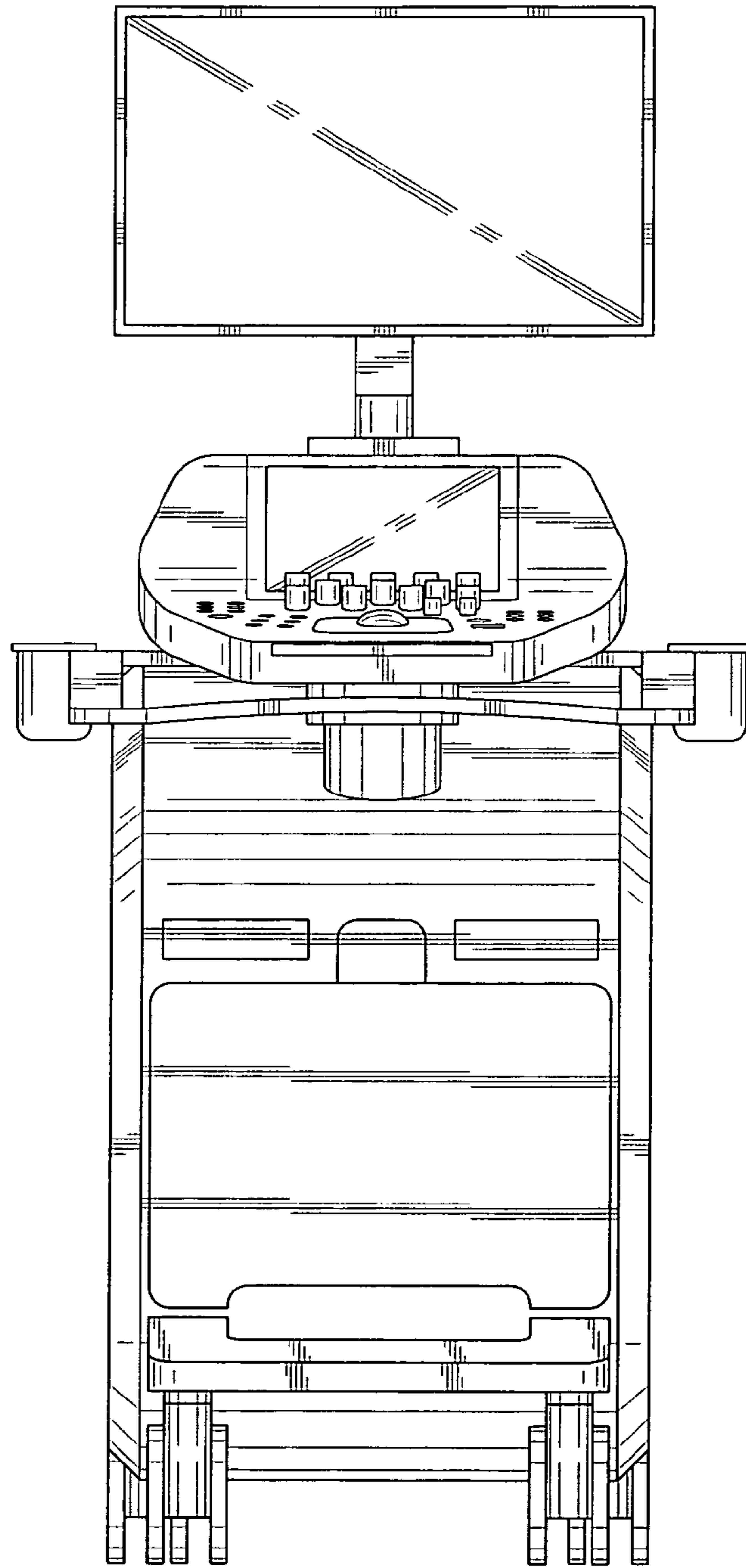


FIG.2

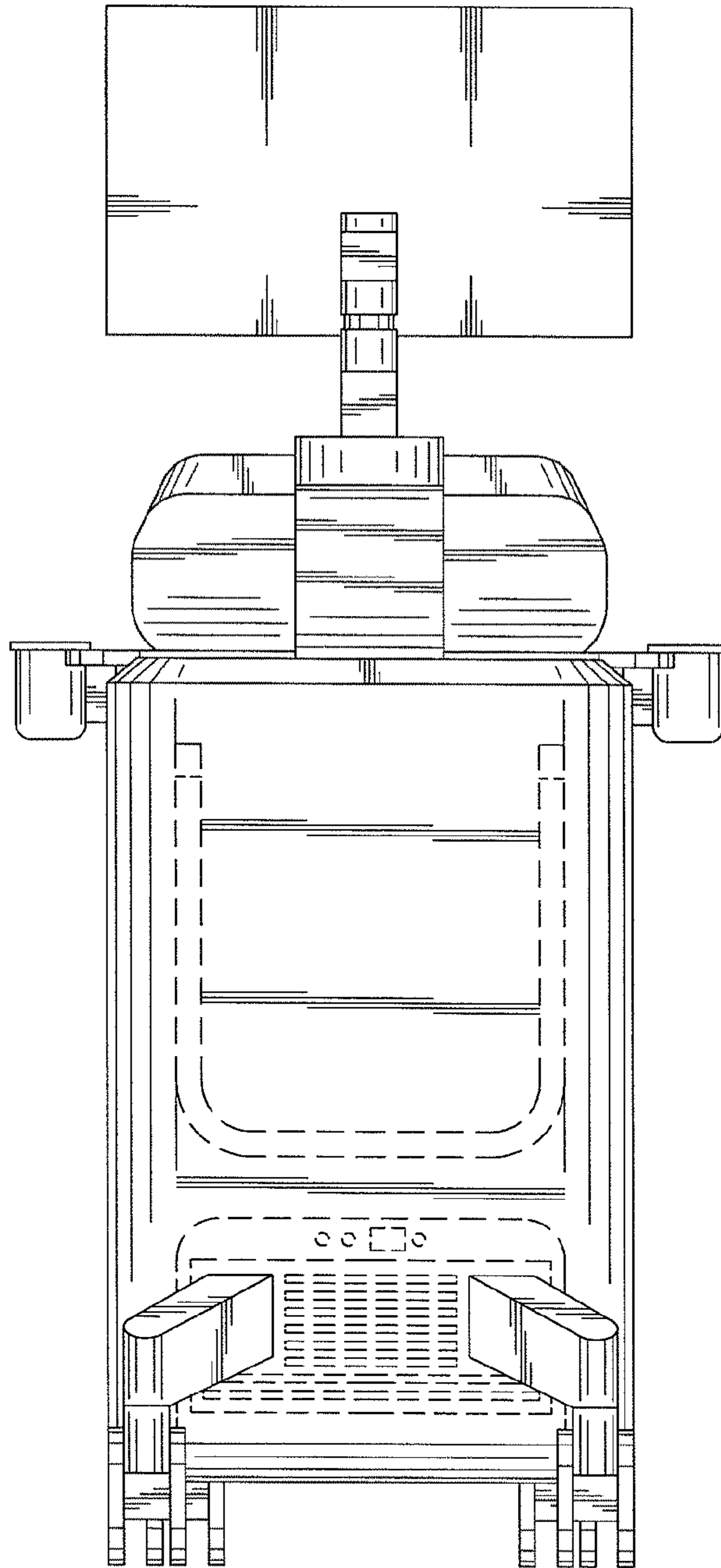


FIG. 3

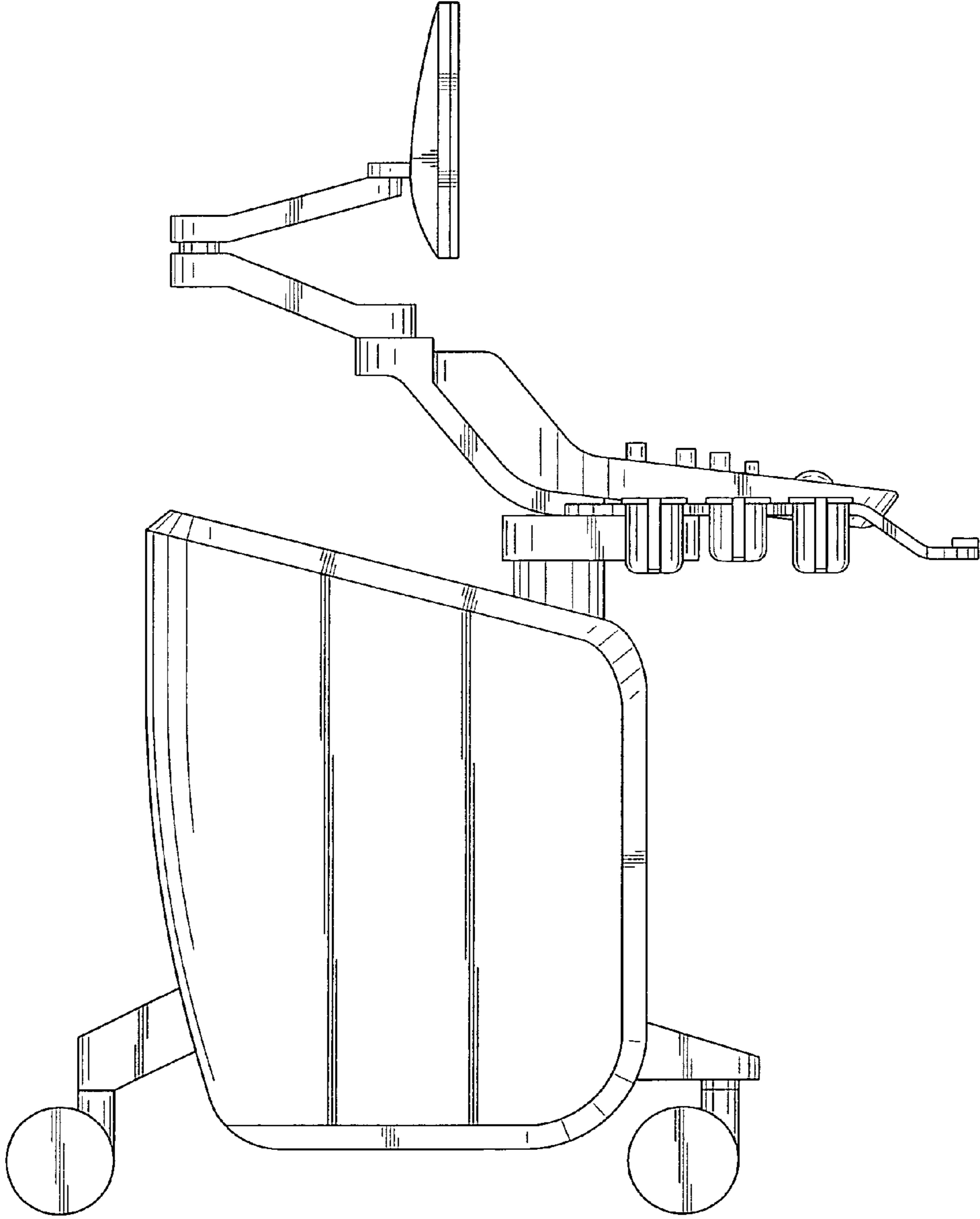


FIG.4

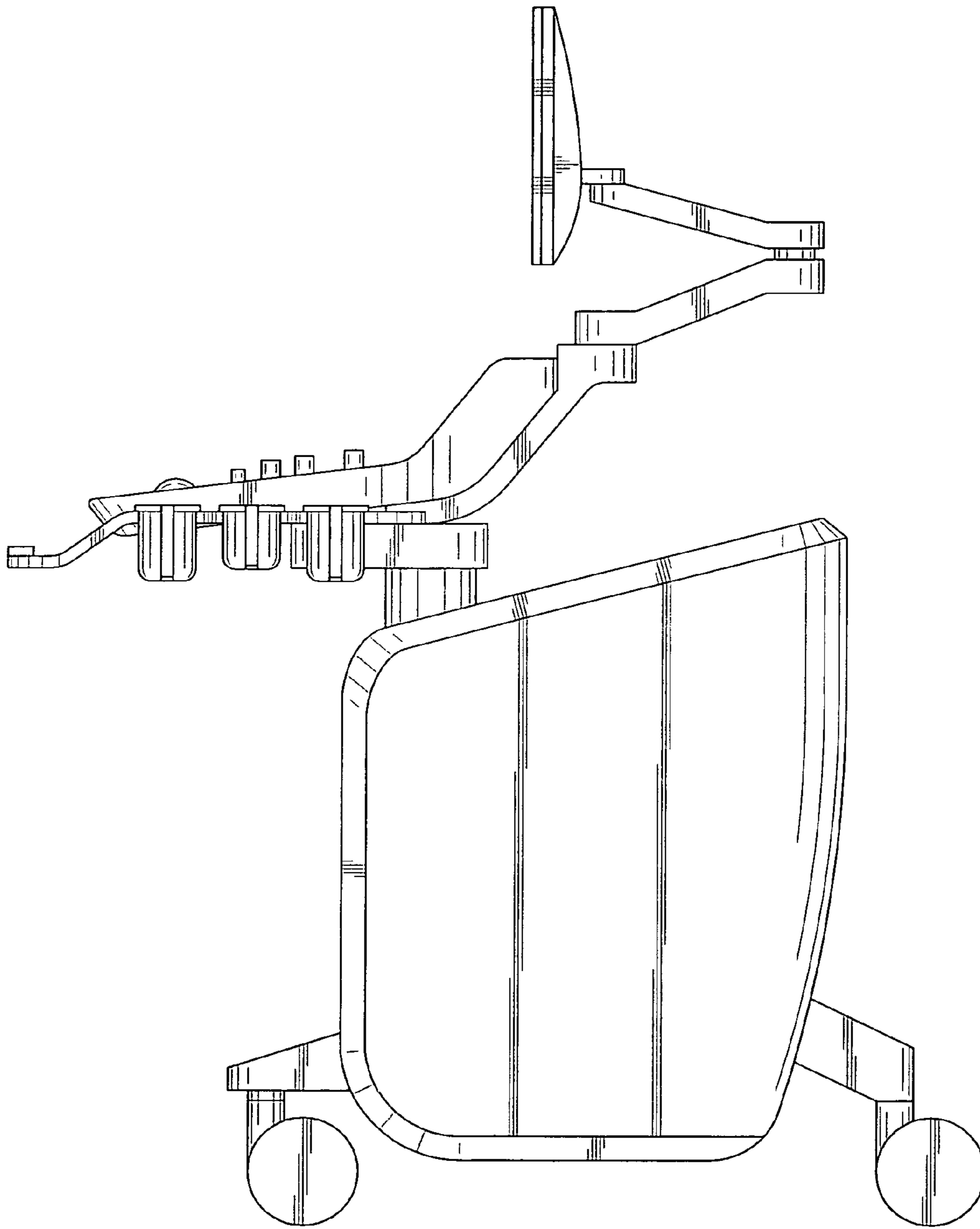


FIG.5

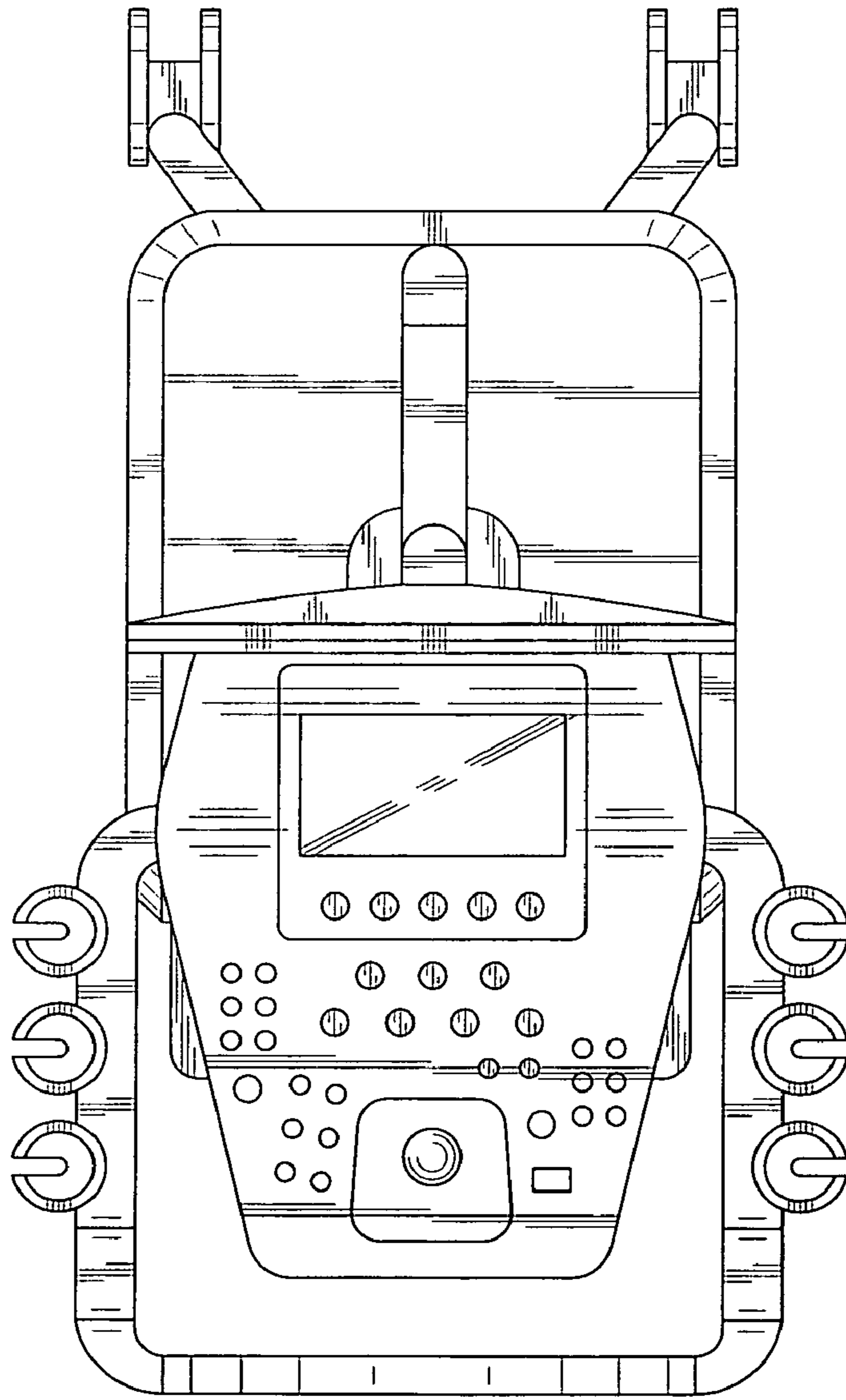


FIG.6

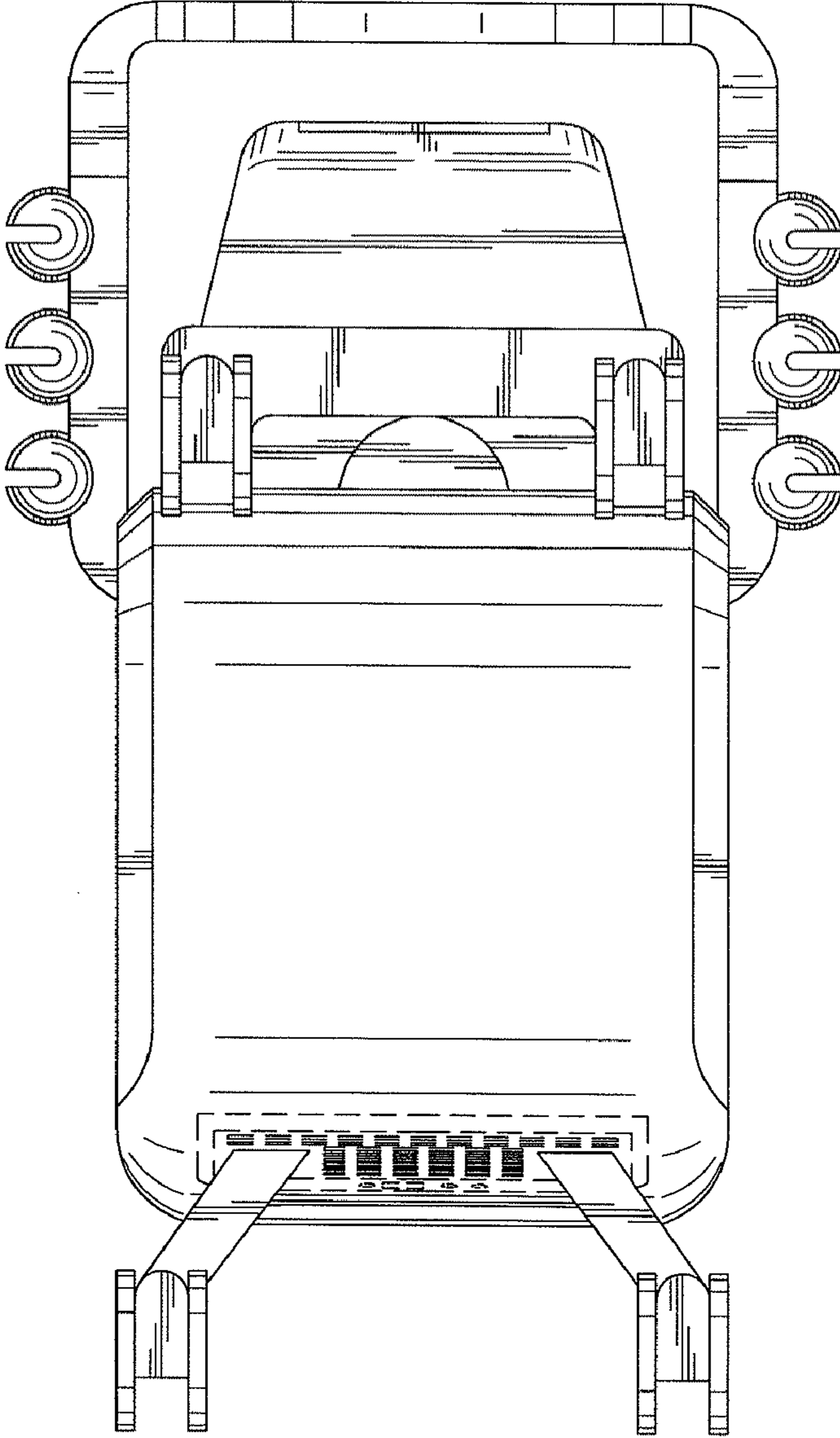


FIG.7