



US00D650474S

(12) **United States Design Patent**
Huang

(10) **Patent No.:** **US D650,474 S**

(45) **Date of Patent:** **** Dec. 13, 2011**

(54) **AIR PURIFIER**

(75) Inventor: **Ping Huang**, Tainan (TW)

(73) Assignee: **Hung Hsing Electric Co., Ltd.**, Tainan (TW)

(**) Term: **14 Years**

(21) Appl. No.: **29/391,419**

(22) Filed: **May 9, 2011**

(51) **LOC (9) Cl.** **23-04**

(52) **U.S. Cl.** **D23/364**

(58) **Field of Classification Search** D23/355-366,
D23/352, 369, 332, 333, 335, 336, 342, 351;
422/120, 122; 55/356, 473, 504; 96/97;
D14/188, 170, 172; 261/DIG. 17, DIG. 65,
261/DIG. 88, DIG. 31; D18/34.6

See application file for complete search history.

(56) **References Cited**

U.S. PATENT DOCUMENTS

D462,754 S *	9/2002	Briggs et al.	D23/364
D548,825 S *	8/2007	Suzuki et al.	D23/364
D550,343 S *	9/2007	Chen	D23/364
D572,357 S *	7/2008	Murai et al.	D23/366
D595,824 S *	7/2009	Ohta	D23/364
D595,827 S *	7/2009	Satou	D23/364
D599,456 S *	9/2009	Choi	D23/364

D606,184 S *	12/2009	Chiu	D23/359
D613,387 S *	4/2010	Satou	D23/364
D621,019 S *	8/2010	Kim et al.	D23/356
D624,169 S *	9/2010	Lee et al.	D23/364
D634,829 S *	3/2011	Niki	D23/355
D635,655 S *	4/2011	Chen et al.	D23/364

* cited by examiner

Primary Examiner — David Muller

(74) *Attorney, Agent, or Firm* — Rosenberg, Klein & Lee

(57) **CLAIM**

The ornamental design for an air purifier, as shown and described.

DESCRIPTION

FIG. 1 is a perspective view of an air purifier showing my new design;

FIG. 2 is a front elevational view thereof;

FIG. 3 is a rear elevational view thereof;

FIG. 4 is a left side elevational view thereof;

FIG. 5 is a right side elevational view thereof;

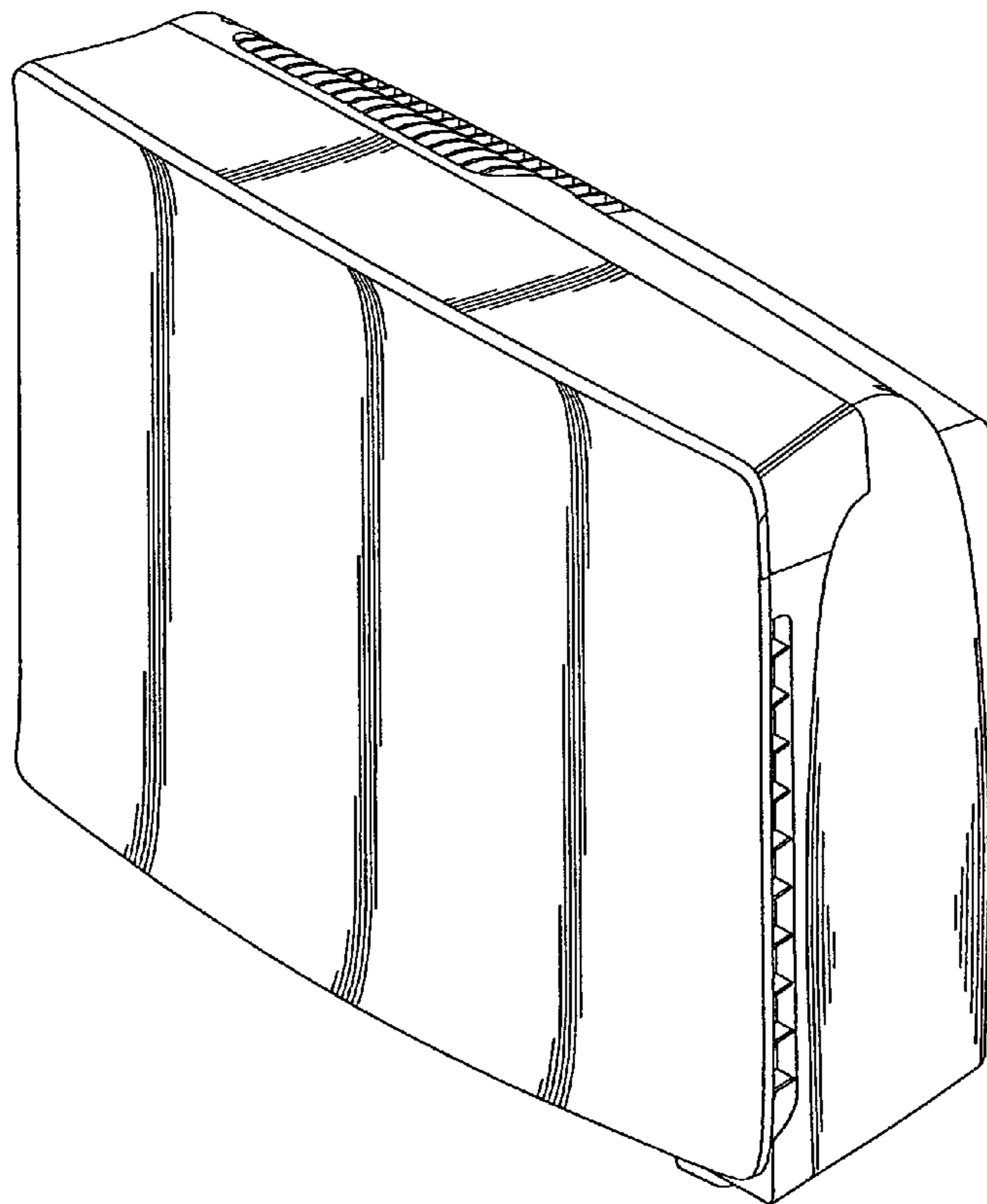
FIG. 6 is a top plan view thereof;

FIG. 7 is a bottom plan view thereof; and,

FIG. 8 is a second perspective view of an air purifier showing our new design.

The broken line showing of parts of the drawings is included for the purpose of illustrating use and environment and forms no part of the claimed design.

1 Claim, 8 Drawing Sheets



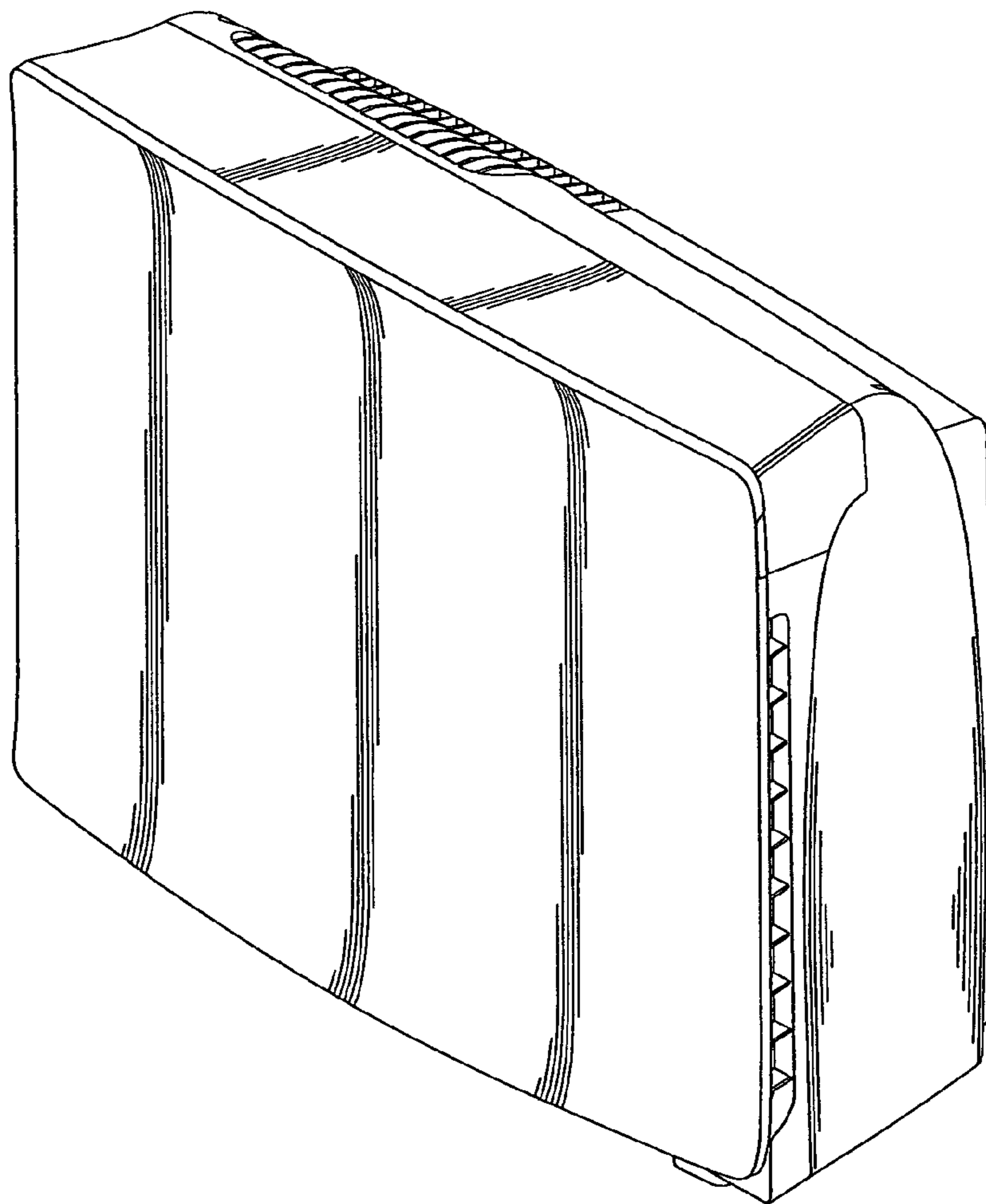


FIG. 1

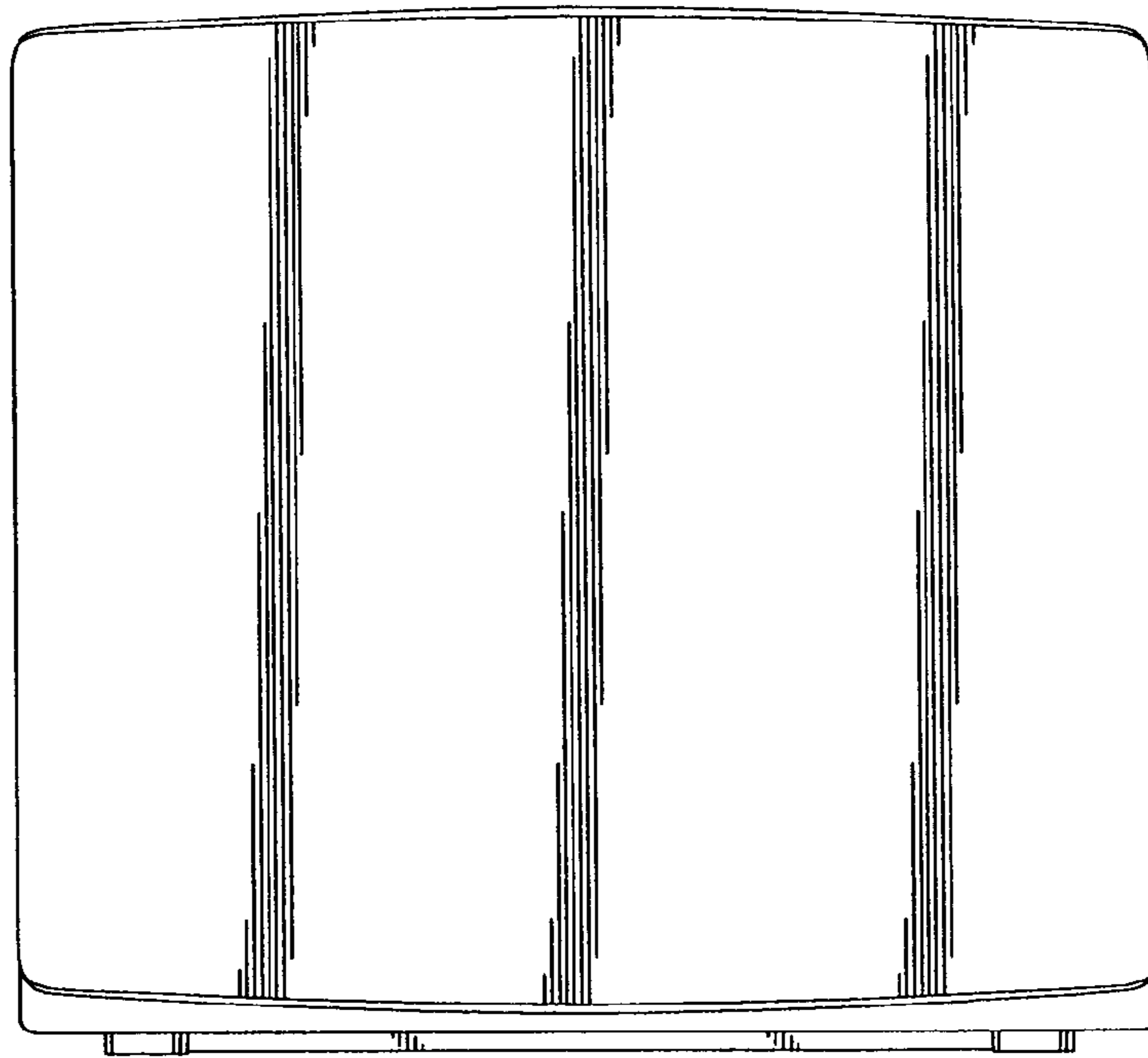


FIG. 2

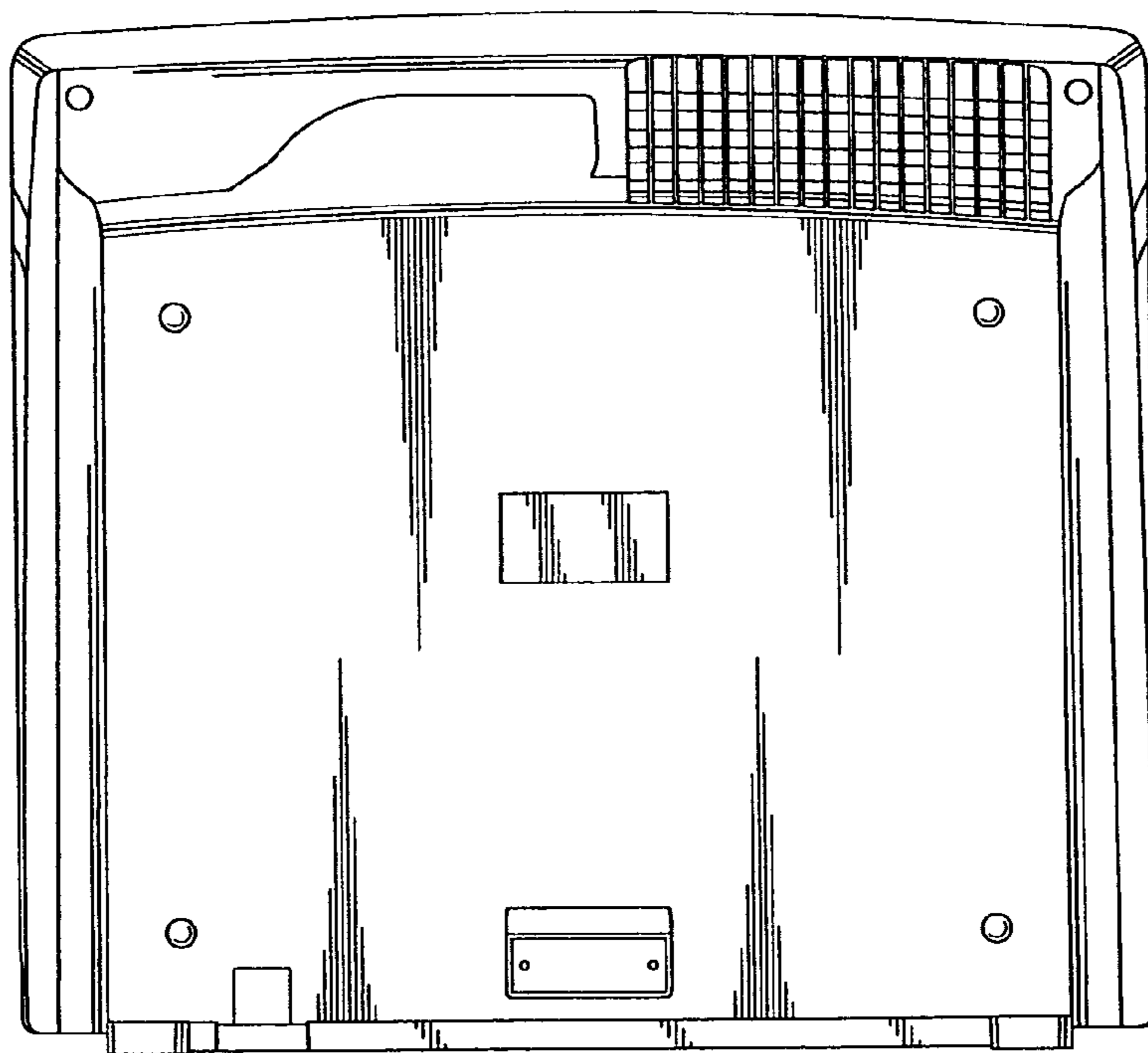


FIG. 3

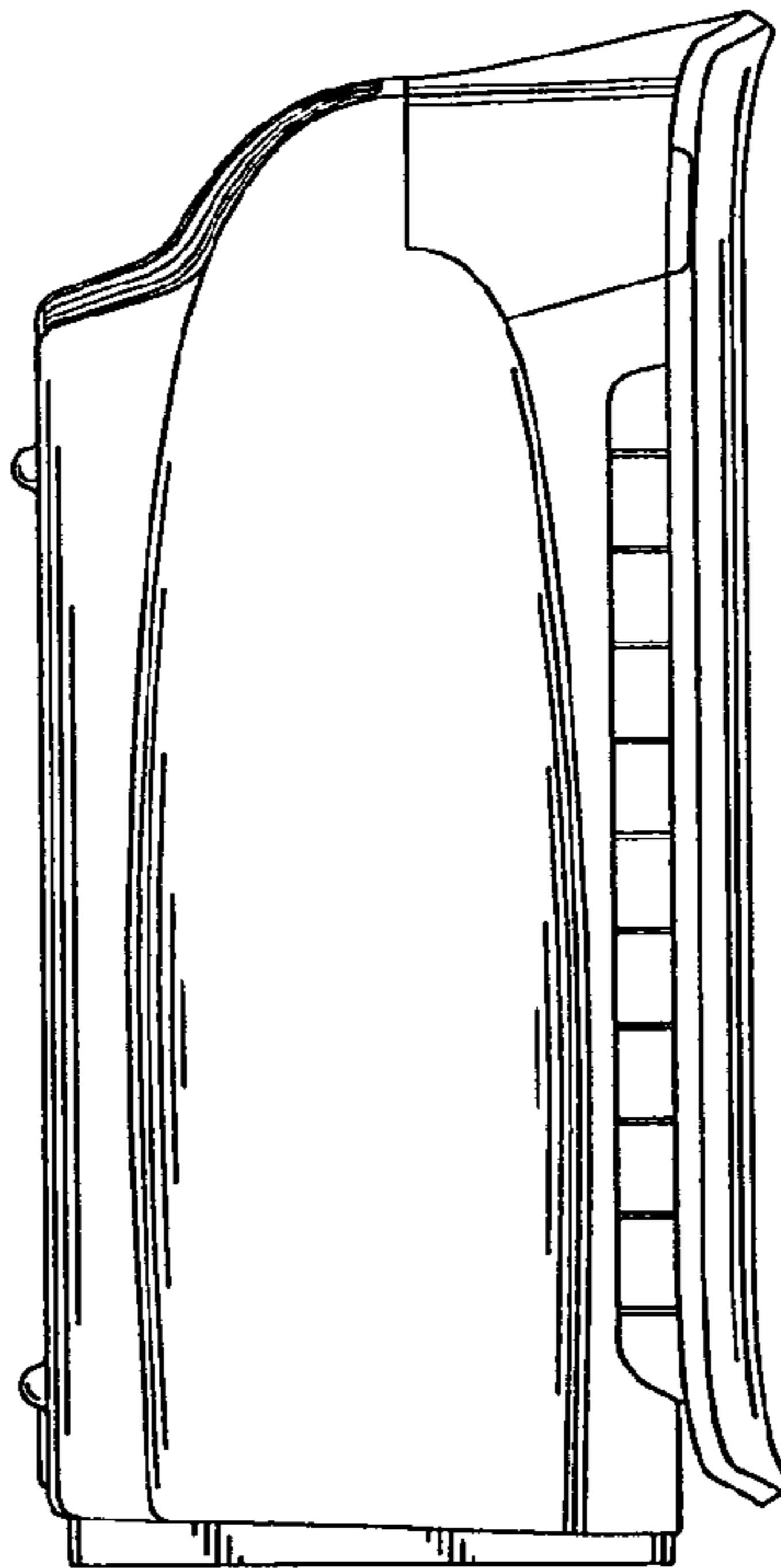


FIG. 4

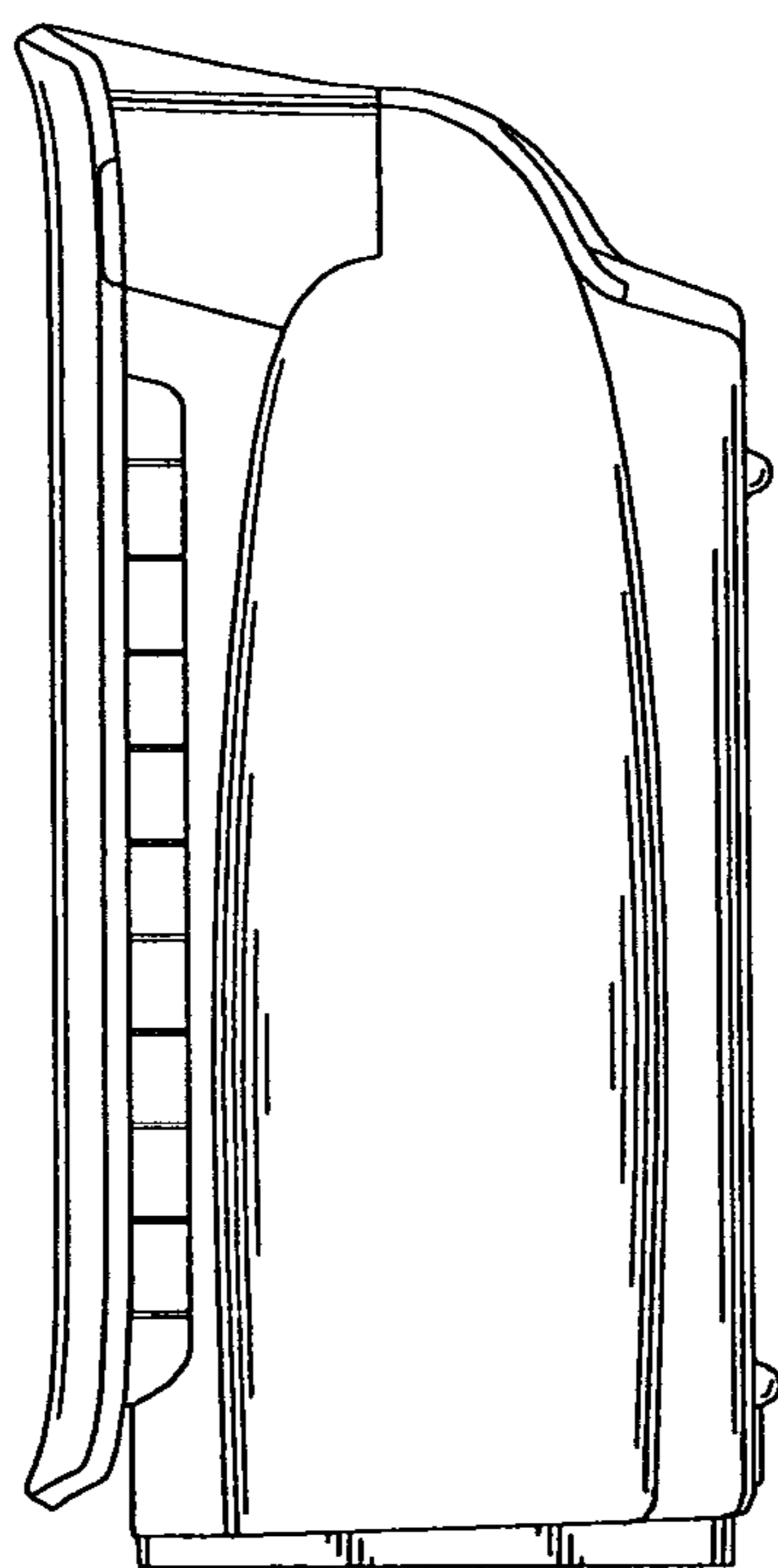


FIG. 5

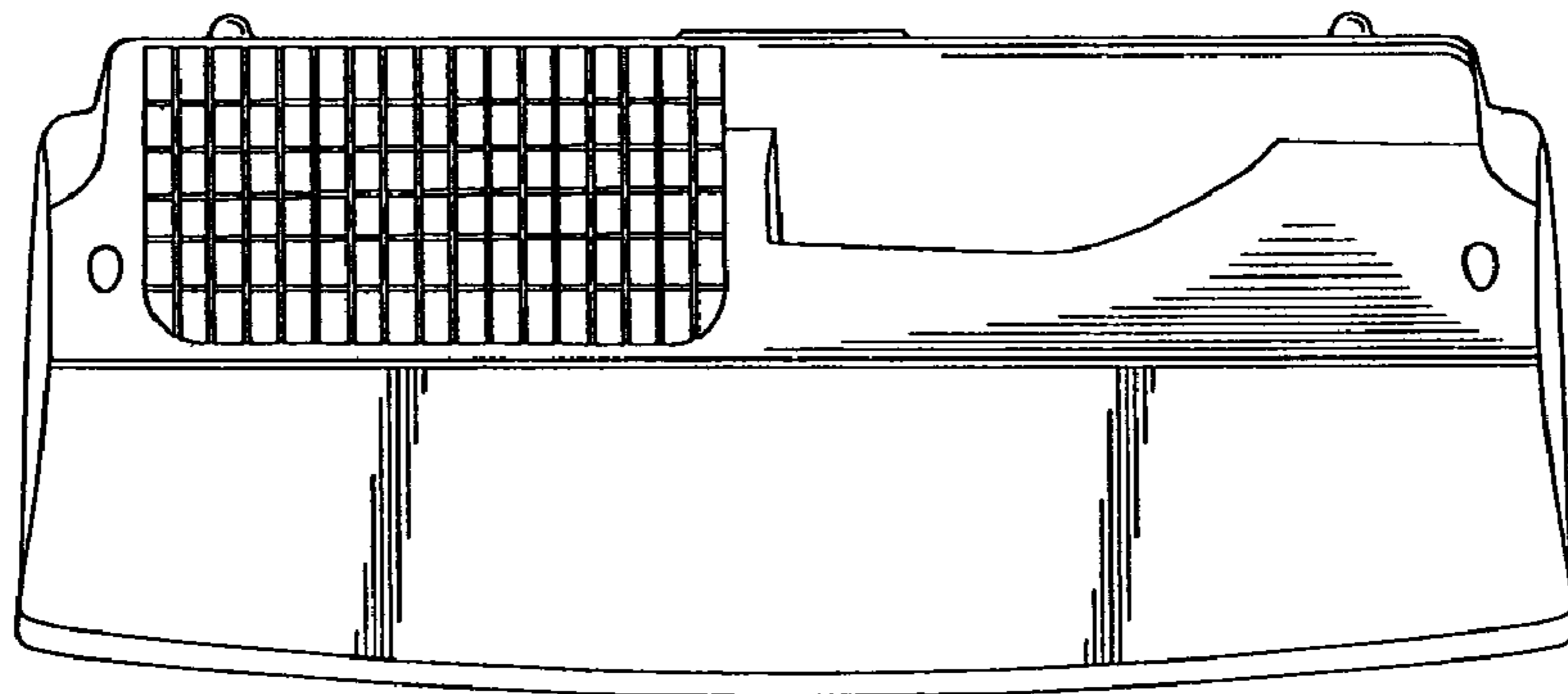


FIG. 6

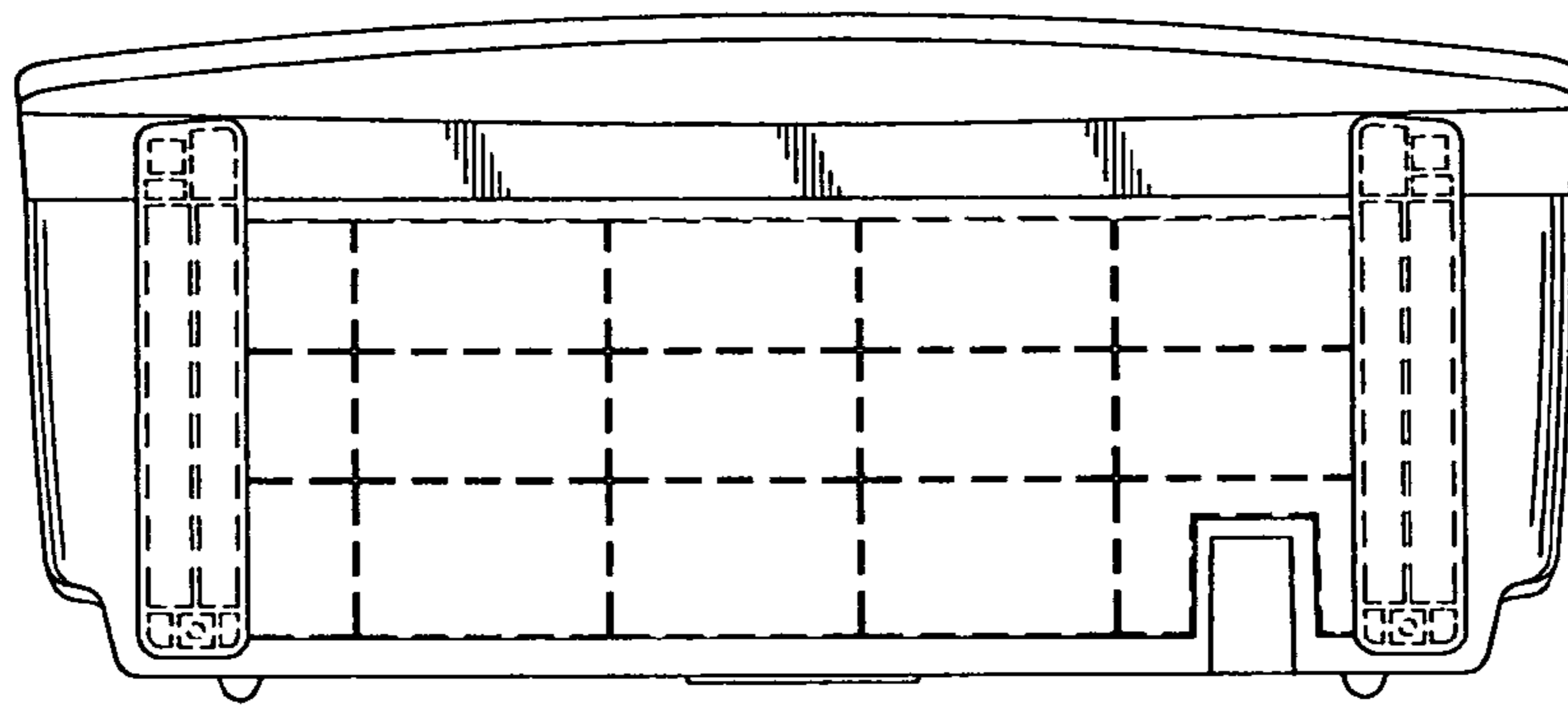


FIG. 7

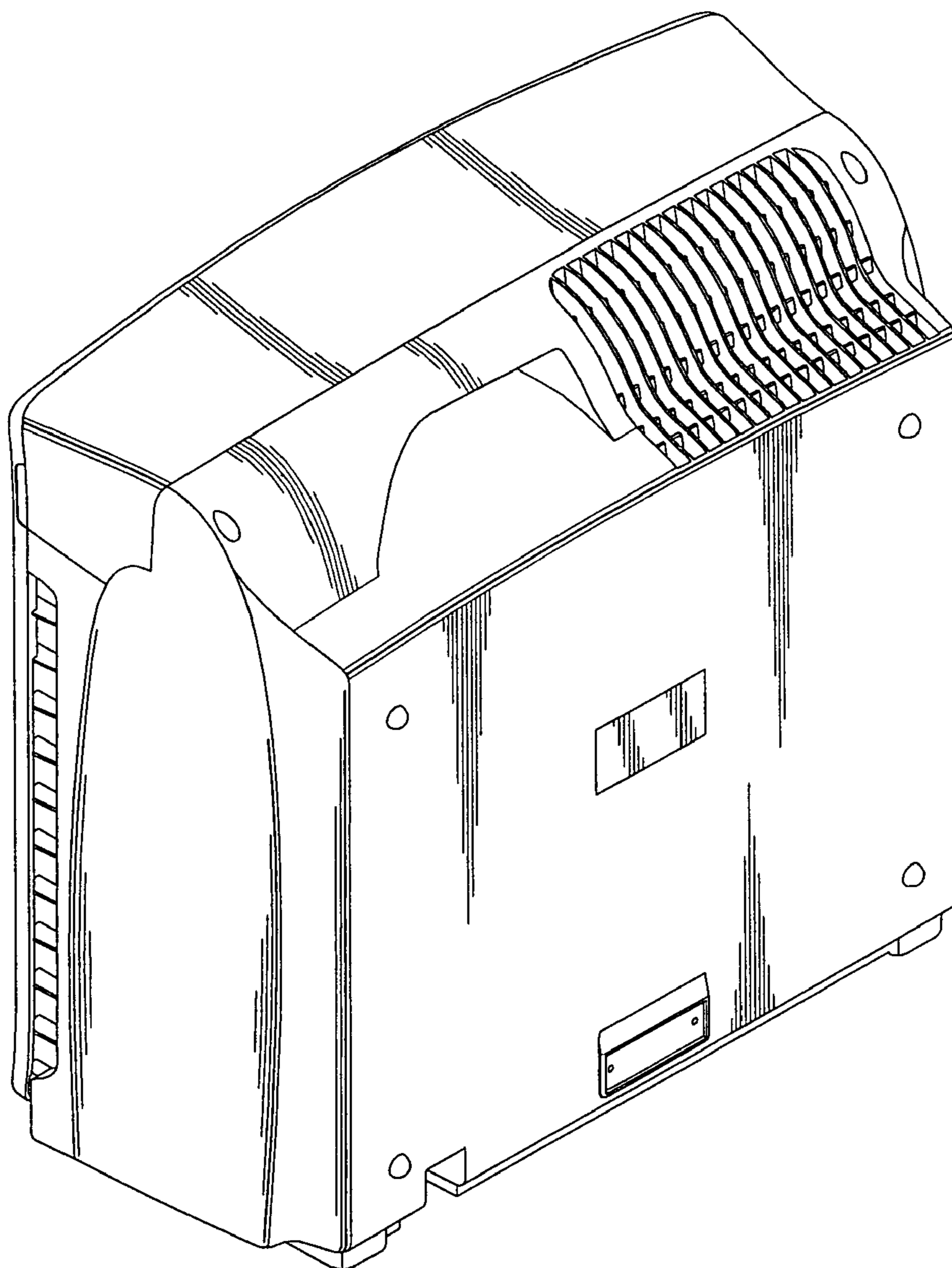


FIG. 8