



US00D650471S

(12) **United States Design Patent**  
**Du**

(10) **Patent No.:** **US D650,471 S**

(45) **Date of Patent:** **\*\* Dec. 13, 2011**

(54) **HAIR TRAP FOR DRAIN**

(76) Inventor: **Tiffany Du**, Garden Grove, CA (US)

(\*\*) Term: **14 Years**

(21) Appl. No.: **29/389,099**

(22) Filed: **Apr. 6, 2011**

(51) **LOC (9) Cl.** ..... **23-01**

(52) **U.S. Cl.** ..... **D23/268**

(58) **Field of Classification Search** ..... D23/259-269;  
137/247.49, 247.51, 247.41, 247.47; D4/131;  
4/286, 652; 285/360-361, 376, 396, 401-402  
See application file for complete search history.

(56) **References Cited**

U.S. PATENT DOCUMENTS

214,983	A *	5/1879	Atwater	.....	4/289
1,935,128	A *	11/1933	Pullman	.....	4/286
2,512,394	A *	6/1950	Sullivan	.....	68/18 F
2,960,234	A *	11/1960	Fredrickson	.....	210/457
4,380,834	A *	4/1983	Wentz	.....	4/287
D308,720	S *	6/1990	Yuen	.....	D23/261
D316,594	S *	4/1991	Yuen	.....	D23/261

5,003,642	A *	4/1991	Robb et al.	.....	4/287
6,487,729	B2 *	12/2002	Delanzo	.....	4/286
2004/0173240	A1 *	9/2004	Harris	.....	134/2

\* cited by examiner

*Primary Examiner* — T. Chase Nelson

*Assistant Examiner* — Eric Goodman

(74) *Attorney, Agent, or Firm* — Richard D. Clarke

(57) **CLAIM**

I claim the ornamental design for a hair trap for drain, as shown and described.

**DESCRIPTION**

FIG. 1 is a side and top perspective view of the hair trap for drain;

FIG. 2 is a side and top perspective view of the hair trap for drain shown inserted into a drain for use;

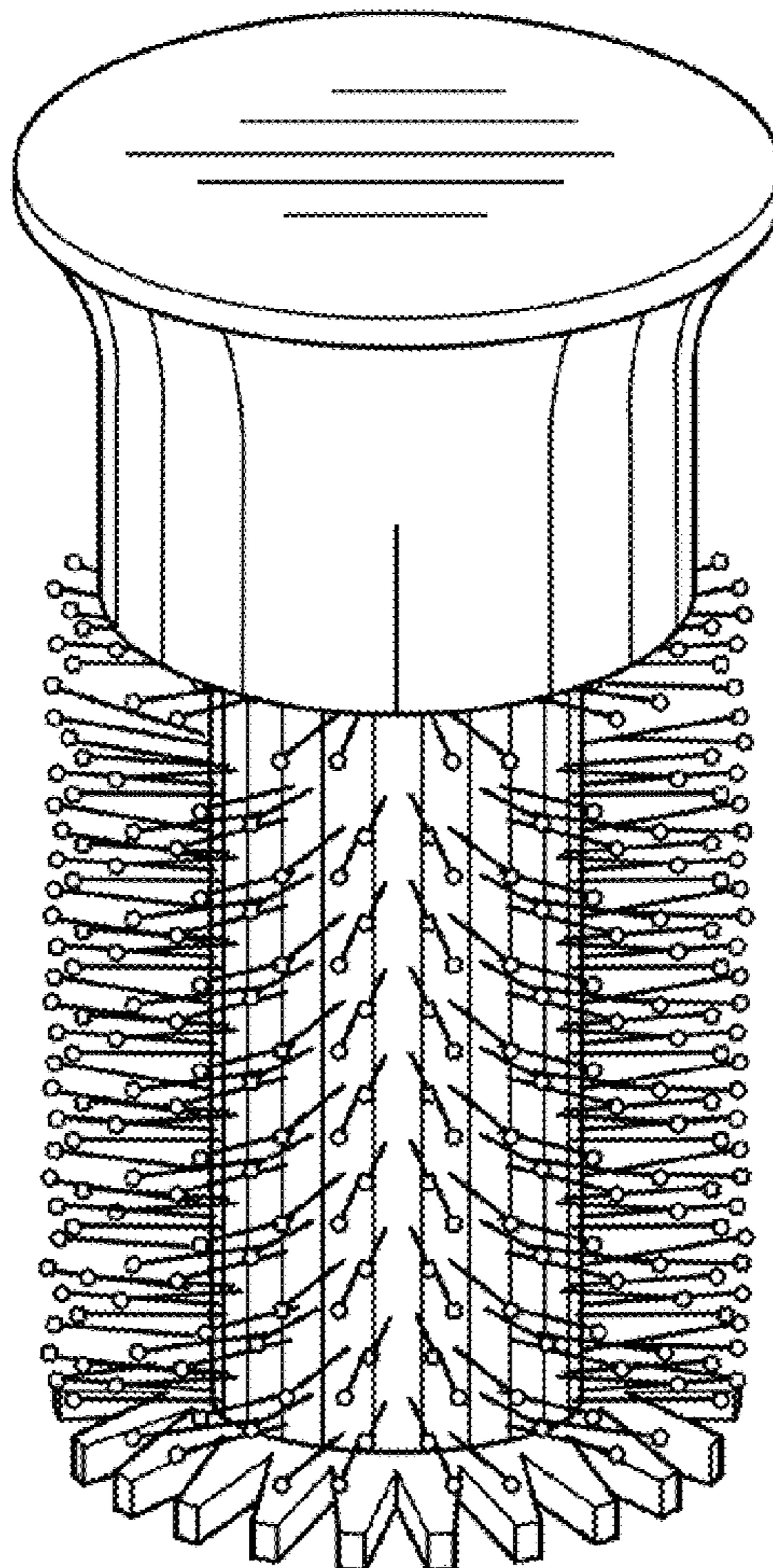
FIG. 3 is a top plan view of the hair trap for drain;

FIG. 4 is a side elevation view of the hair trap for drain; and,

FIG. 5 is a bottom view of the hair trap for drain.

The broken line showing of an environment in FIG. 2 is included for the purpose of illustration only and forms no part of the claimed design.

**1 Claim, 3 Drawing Sheets**



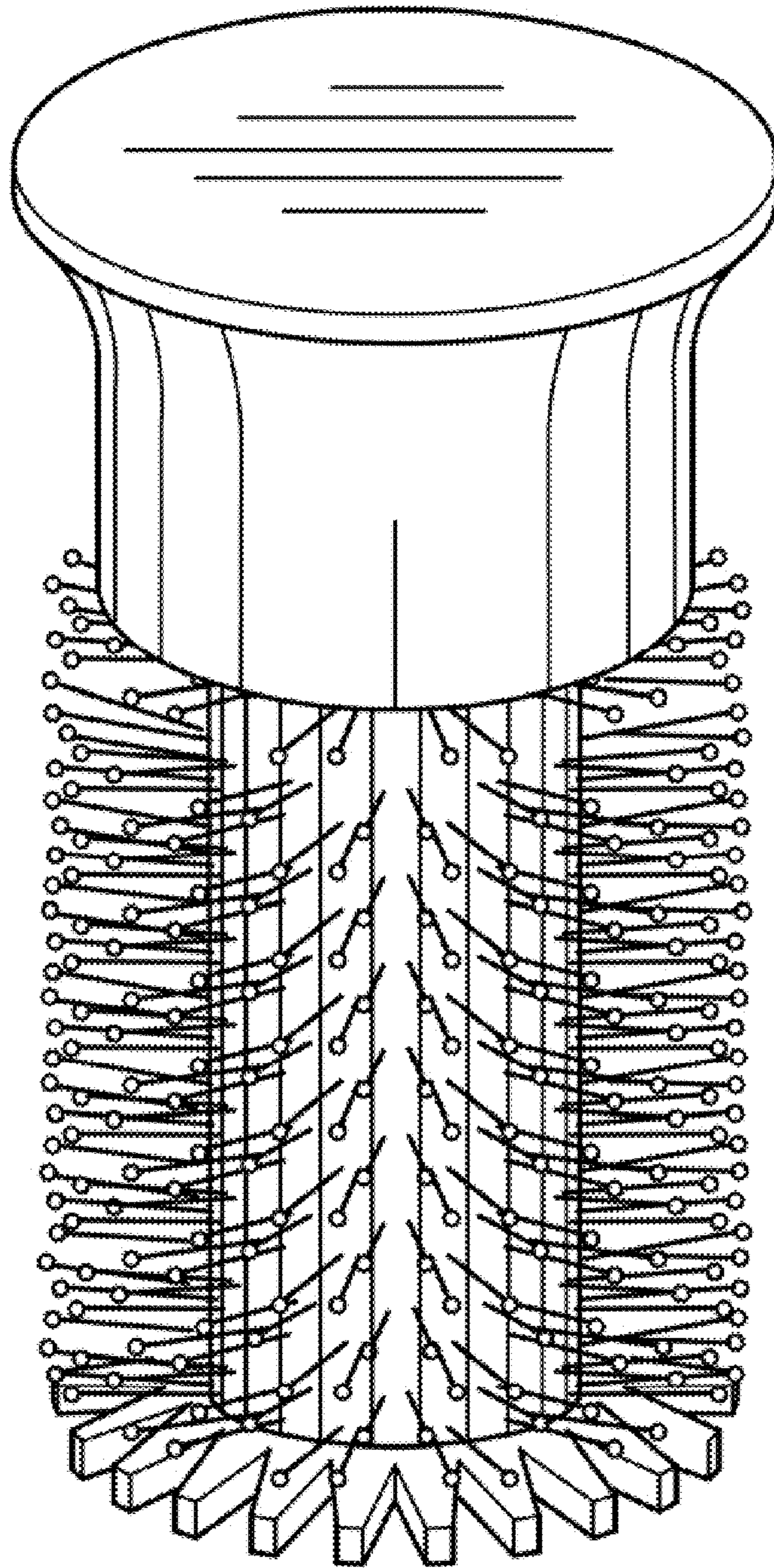


FIG. 1

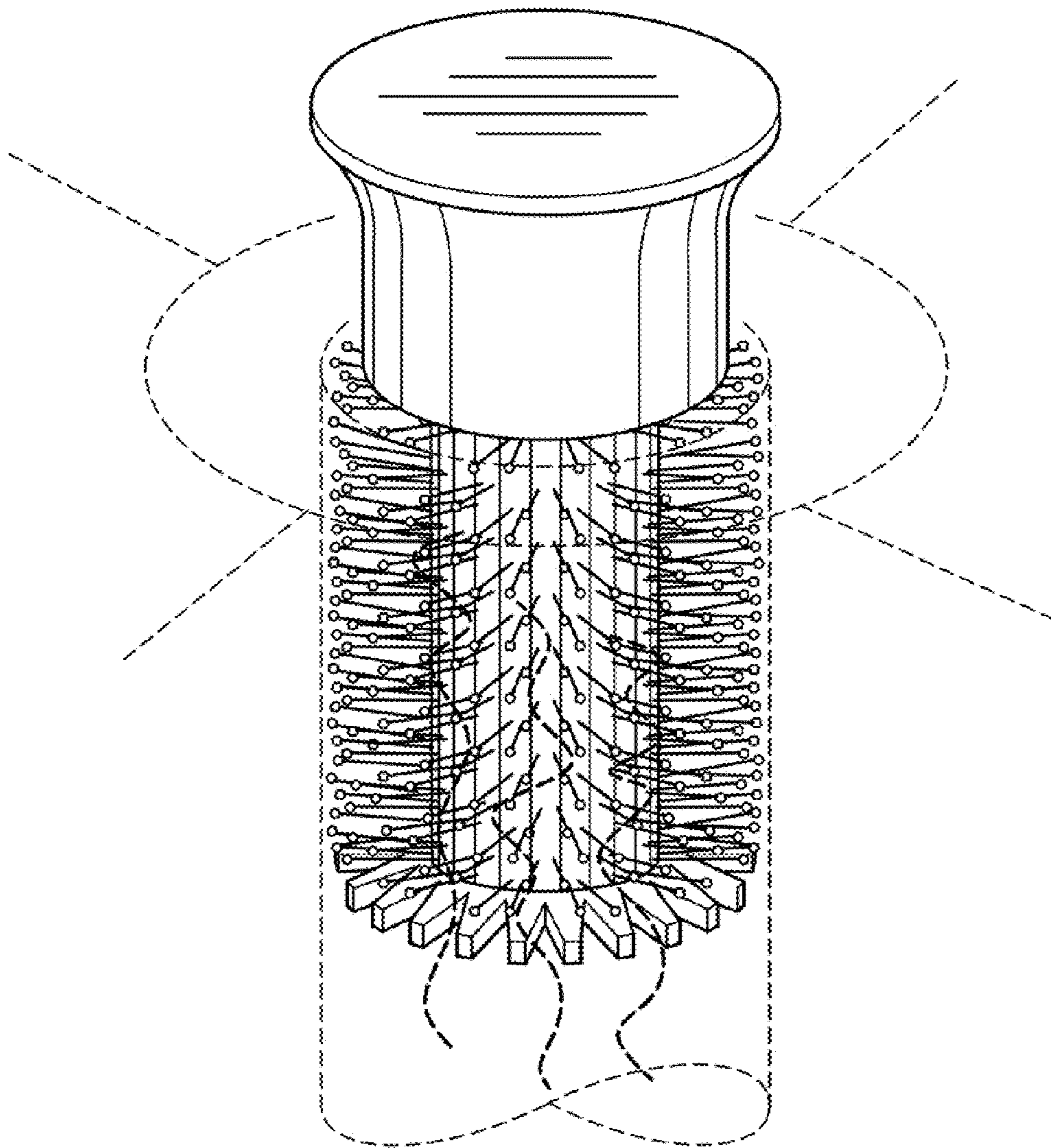


FIG. 2

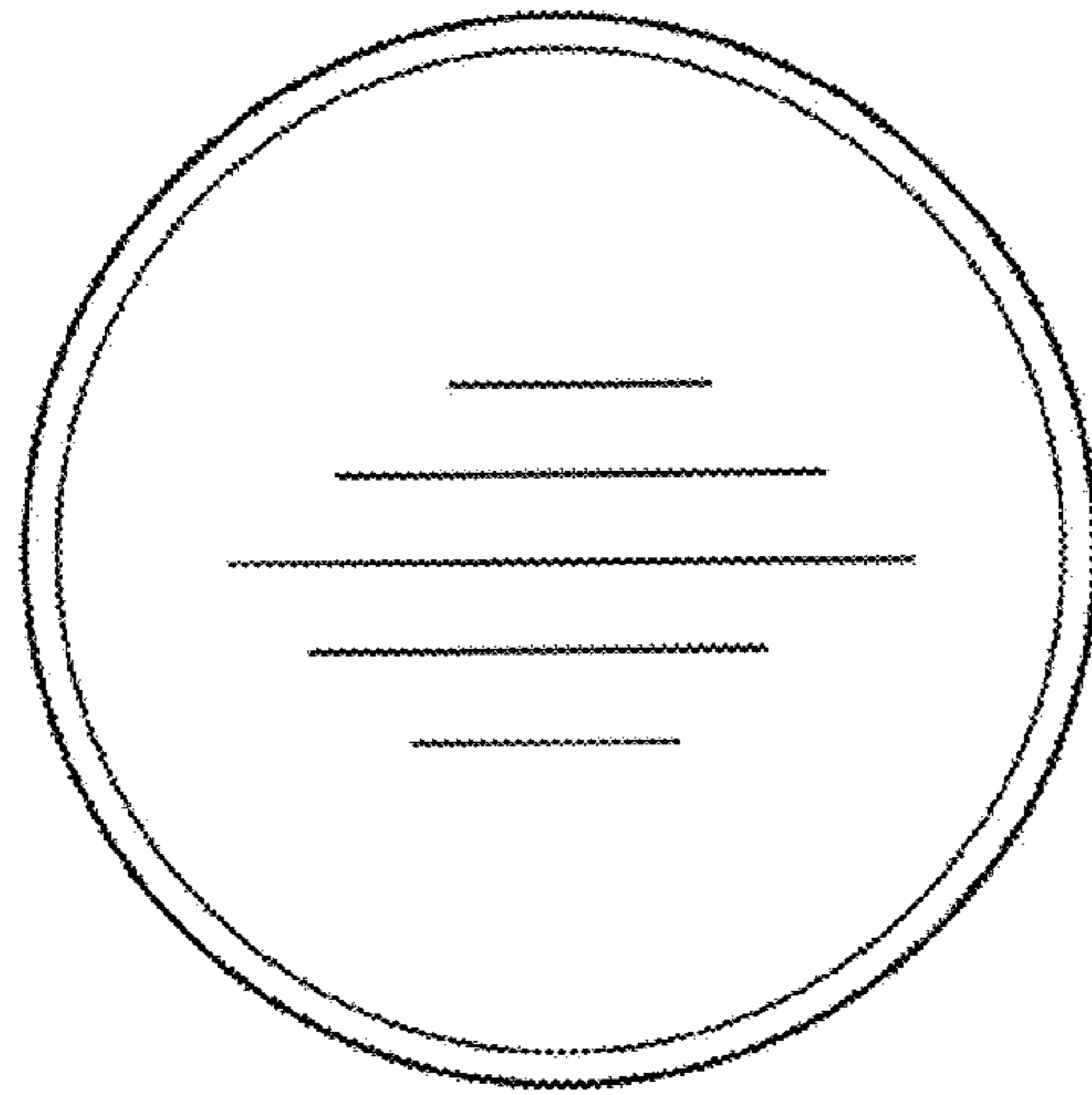


FIG. 3

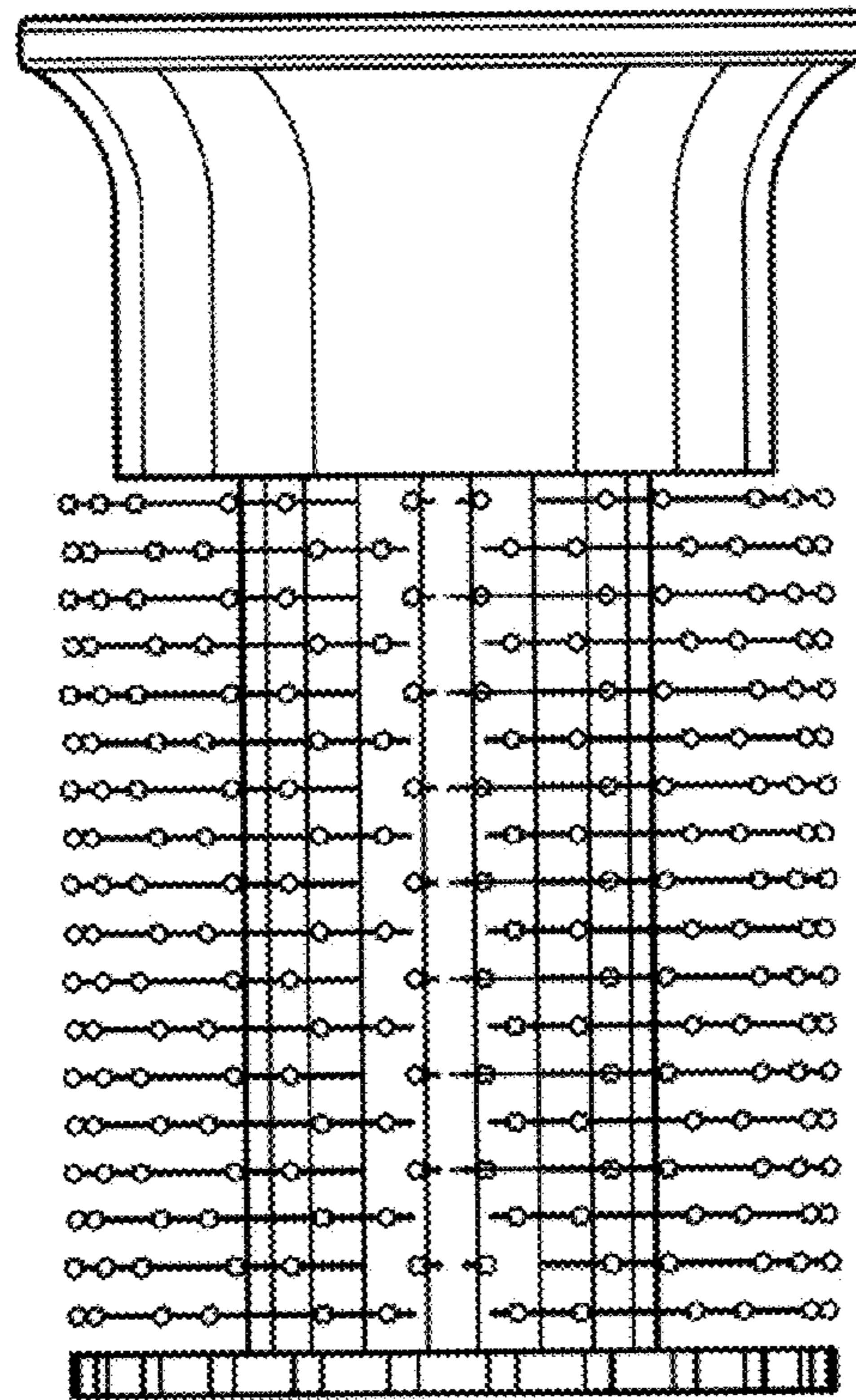


FIG. 4

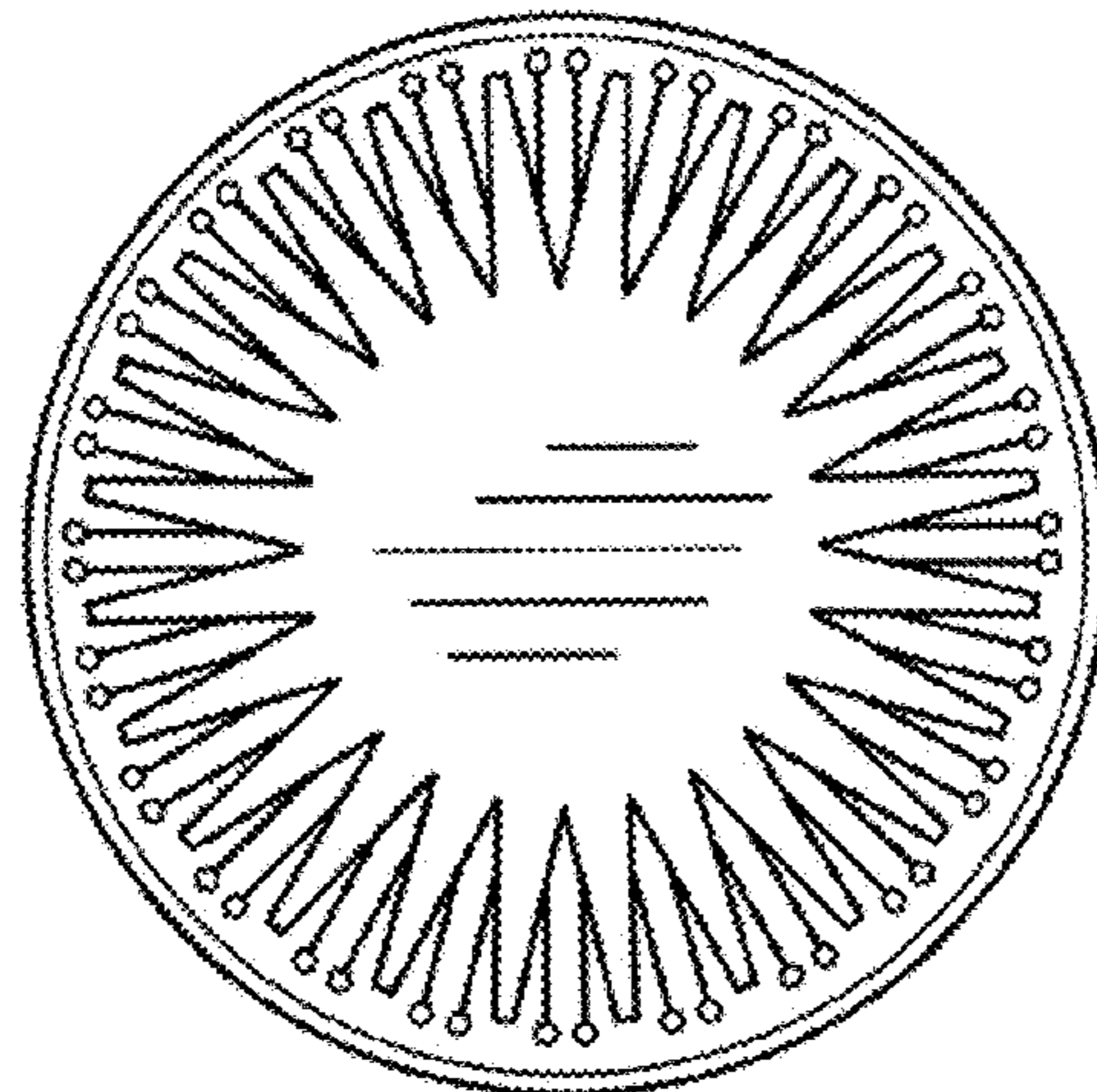


FIG. 5