



US00D650470S

(12) **United States Design Patent**
Fujiyama

(10) **Patent No.:** **US D650,470 S**

(45) **Date of Patent:** **** Dec. 13, 2011**

(54) **VALVING ELEMENT FOR BUTTERFLY VALVE**

(75) Inventor: **Daishi Fujiyama**, Hirakata (JP)

(73) Assignee: **Kubota Corporation** (JP)

(**) Term: **14 Years**

(21) Appl. No.: **29/316,430**

(22) Filed: **Sep. 25, 2009**

(30) **Foreign Application Priority Data**

Mar. 31, 2009 (JP) 2009-007252

(51) **LOC (9) Cl.** **23-01**

(52) **U.S. Cl.** **D23/233**

(58) **Field of Classification Search** D23/233-237,
D23/244-249; 251/121, 205-209, 212-215,
251/283, 286, 288, 292, 293, 304, 305, 307,
251/309-315.01, 317, 317.01; 137/625.21,
137/625.23, 625.31

See application file for complete search history.

(56) **References Cited**

U.S. PATENT DOCUMENTS

2,053,668 A * 9/1936 Kinzie et al. 251/213
4,294,428 A * 10/1981 Okada et al. 251/214

4,667,883 A * 5/1987 Fink, Jr. 239/569
6,079,695 A * 6/2000 Gasaway et al. 251/305
6,595,488 B2 * 7/2003 Zwick 251/214
6,758,458 B2 * 7/2004 Ando et al. 251/305
6,959,690 B1 * 11/2005 Reynard 123/337
7,490,627 B2 * 2/2009 Hourai 137/625.31
D620,555 S * 7/2010 Chuang et al. D23/233

* cited by examiner

Primary Examiner — Celia Murphy

Assistant Examiner — Maurice Stevens

(74) *Attorney, Agent, or Firm* — Kusner & Jaffe

(57) **CLAIM**

The ornamental design for the valving element for butterfly valve, as shown and described.

DESCRIPTION

FIG. 1 is a front view of a valving element for butterfly valve showing my new design;

FIG. 2 is a rear view thereof;

FIG. 3 is a right side view thereof;

FIG. 4 is a left side view thereof;

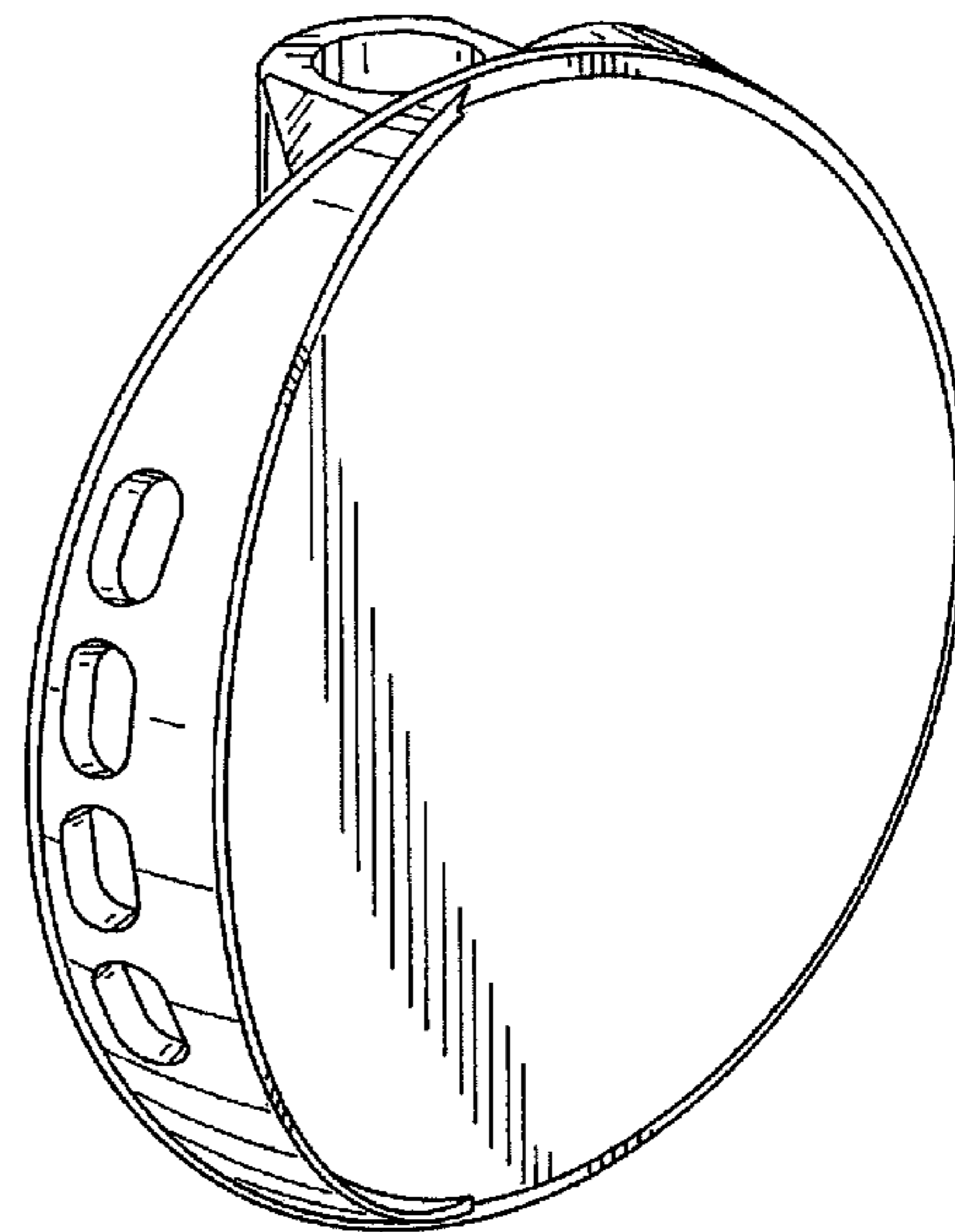
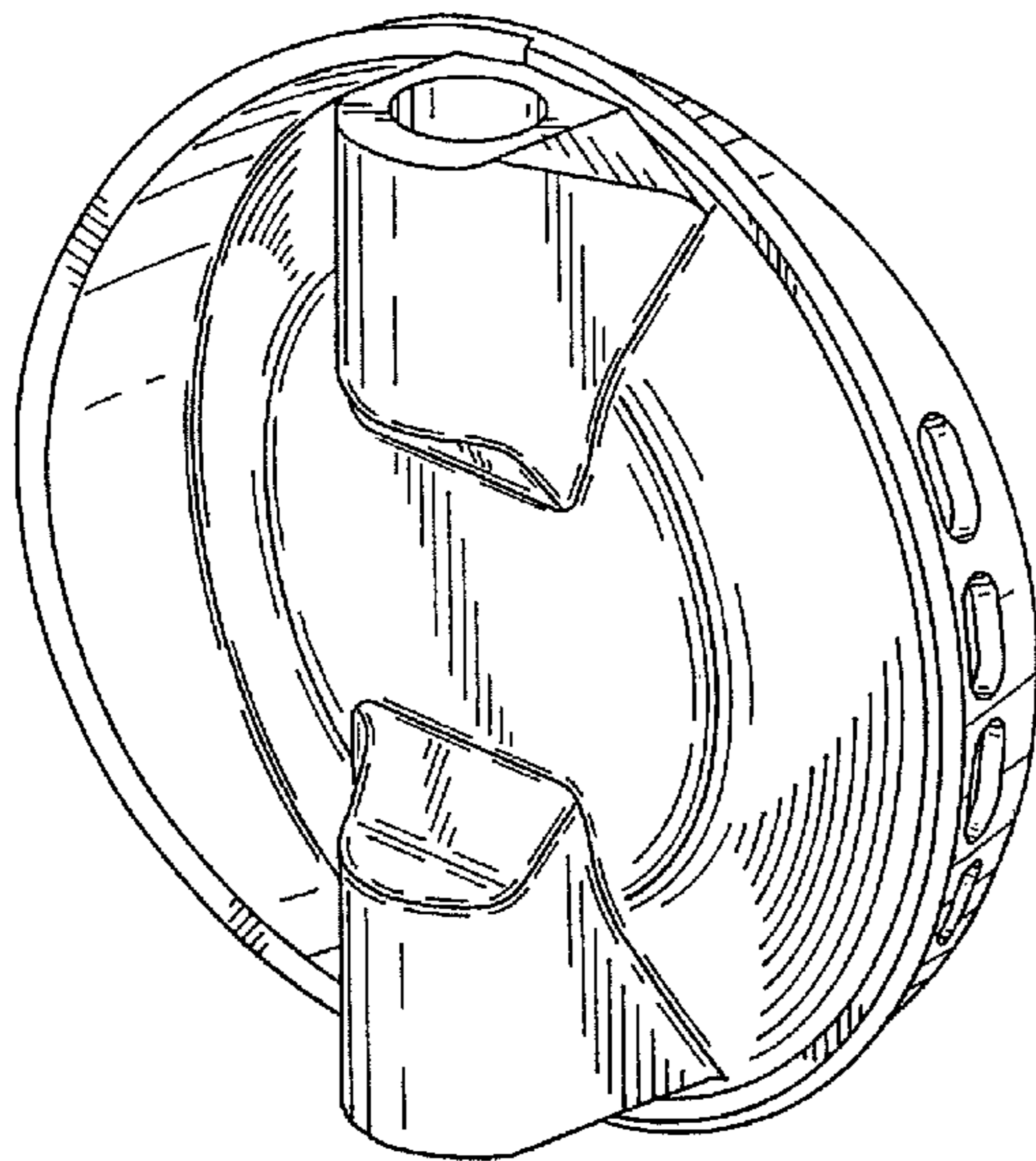
FIG. 5 is a plan view thereof;

FIG. 6 is a bottom view thereof;

FIG. 7 is a front perspective view thereof; and,

FIG. 8 is a rear perspective view thereof.

1 Claim, 4 Drawing Sheets



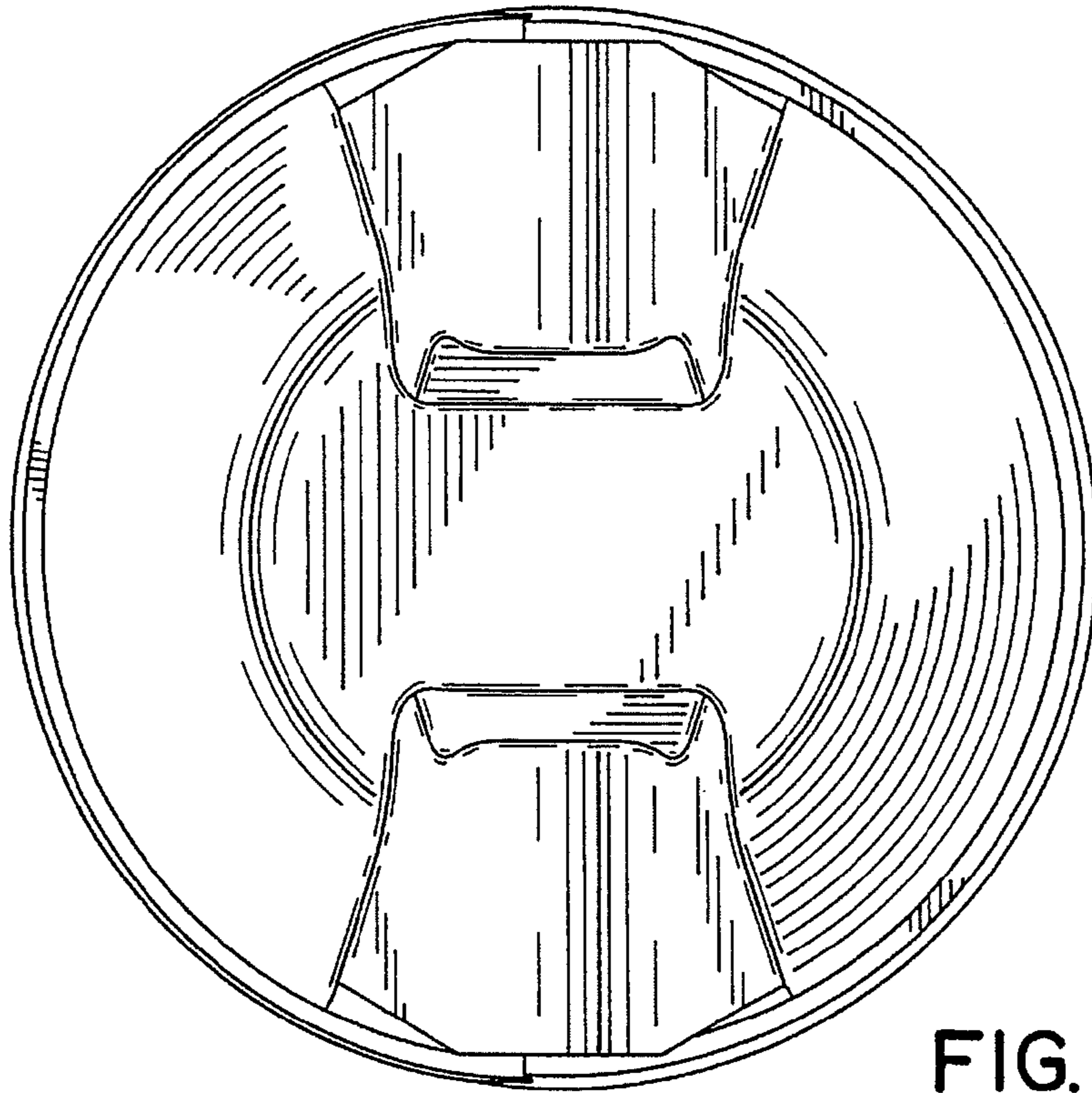


FIG. 1

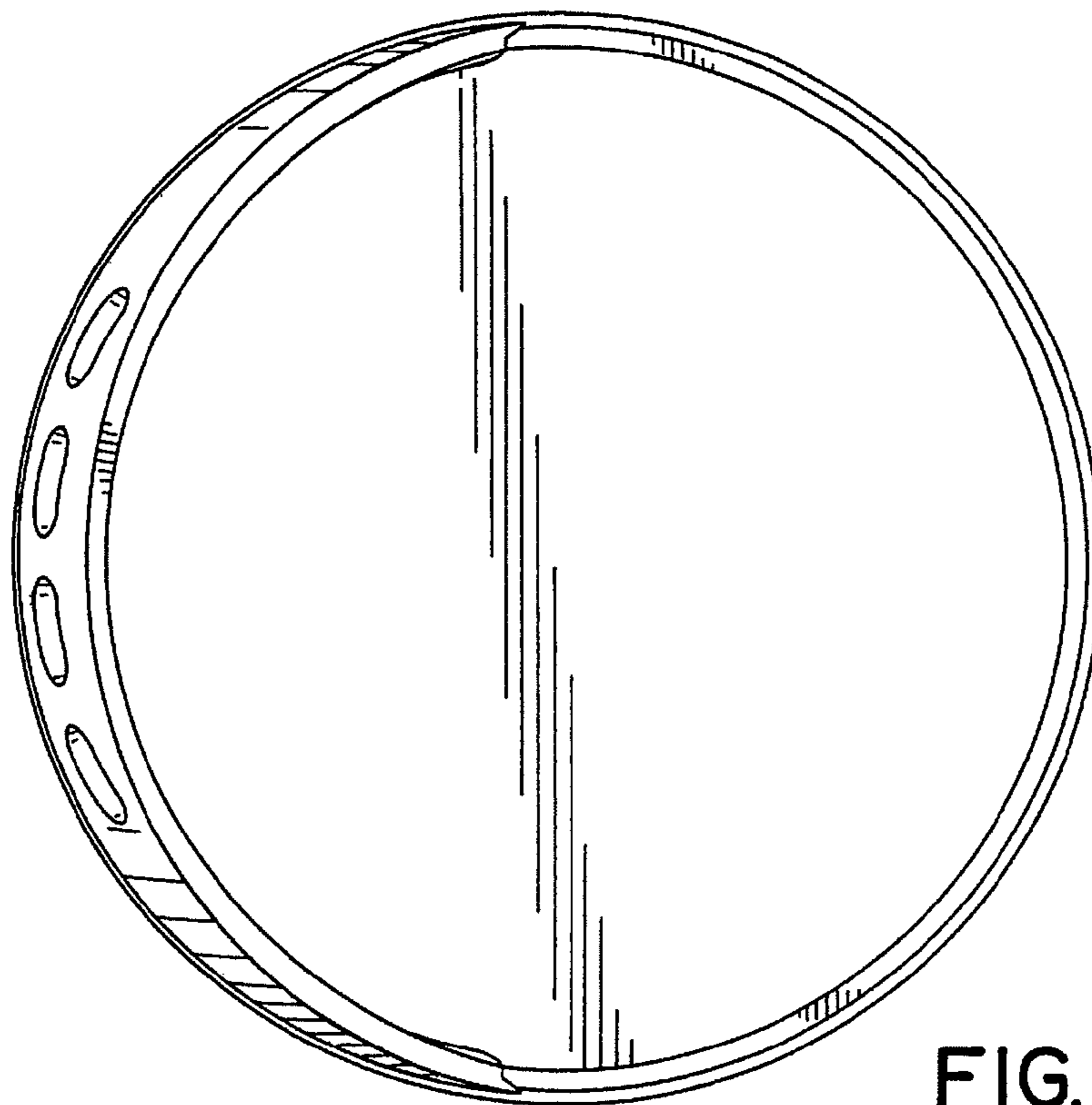


FIG. 2

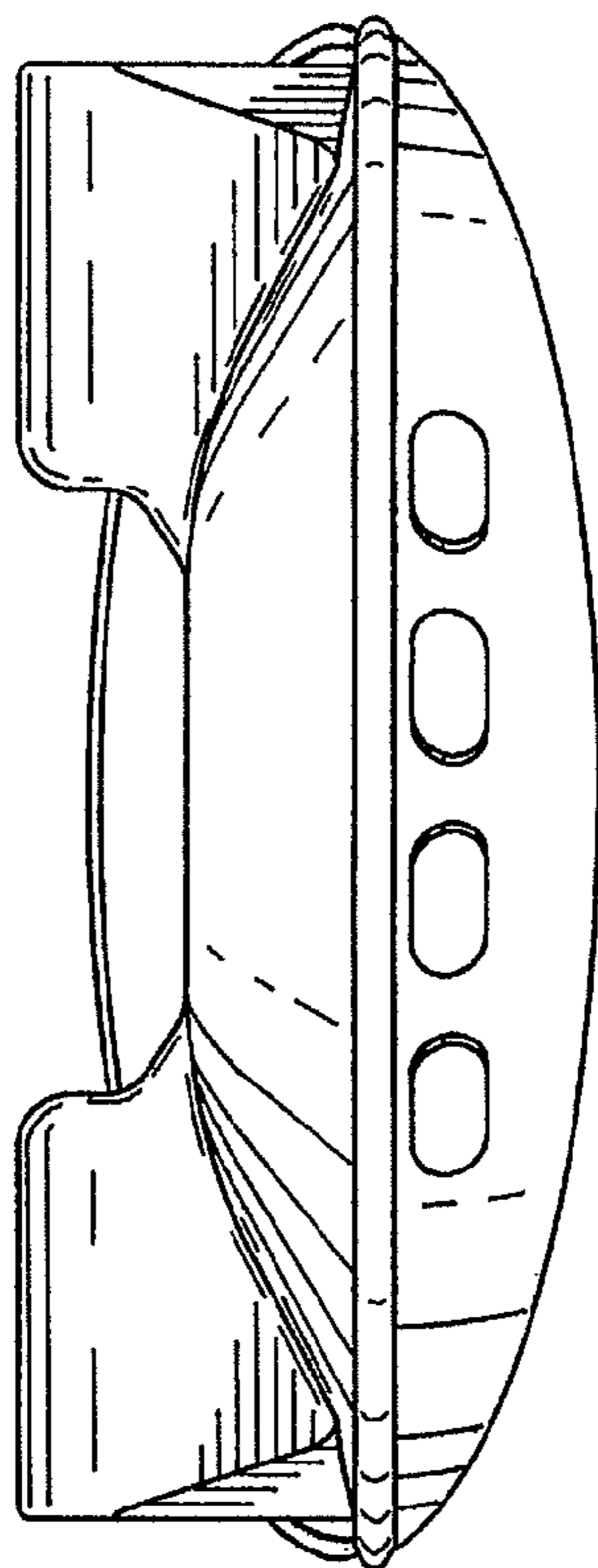


FIG. 3

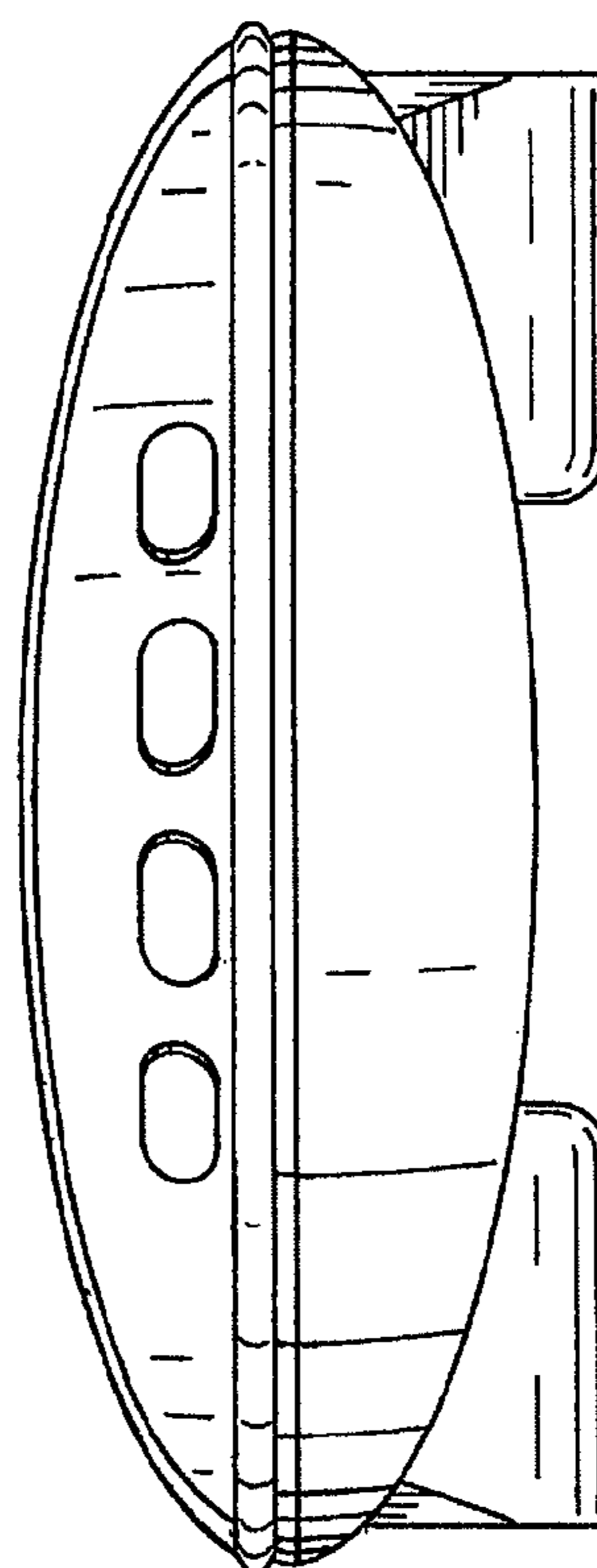


FIG. 4

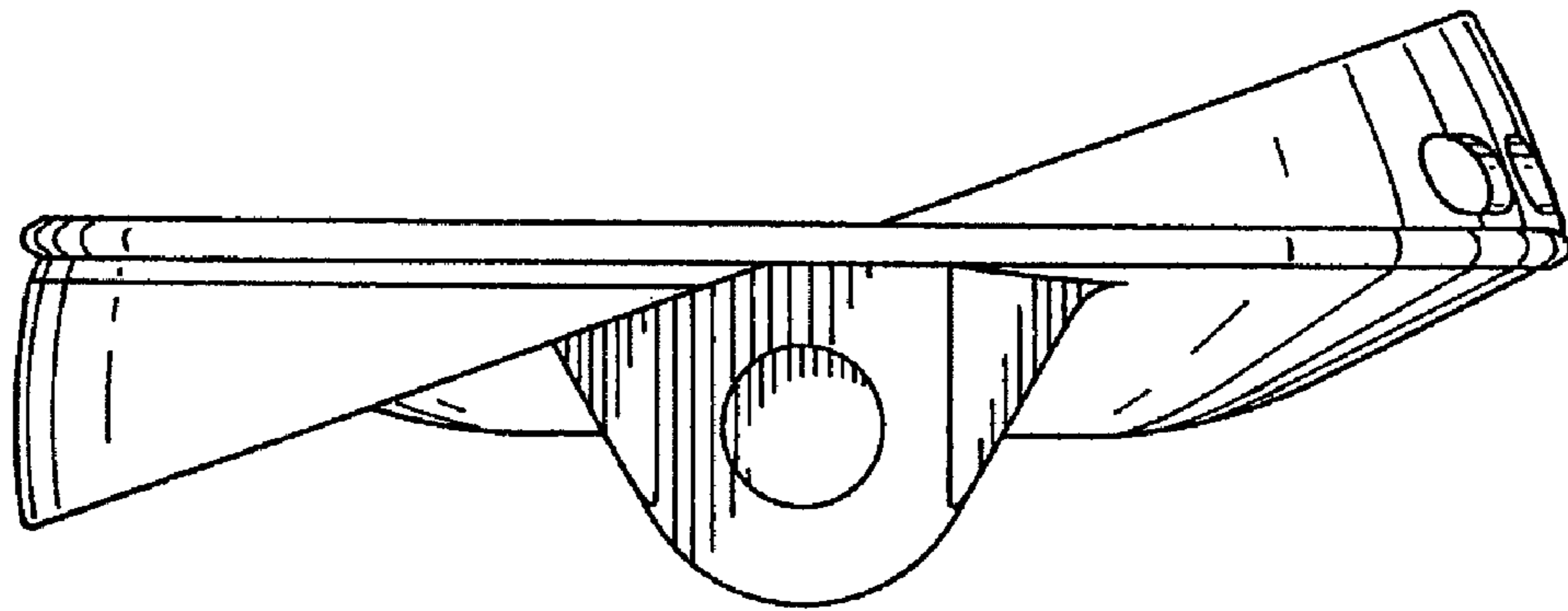


FIG. 5

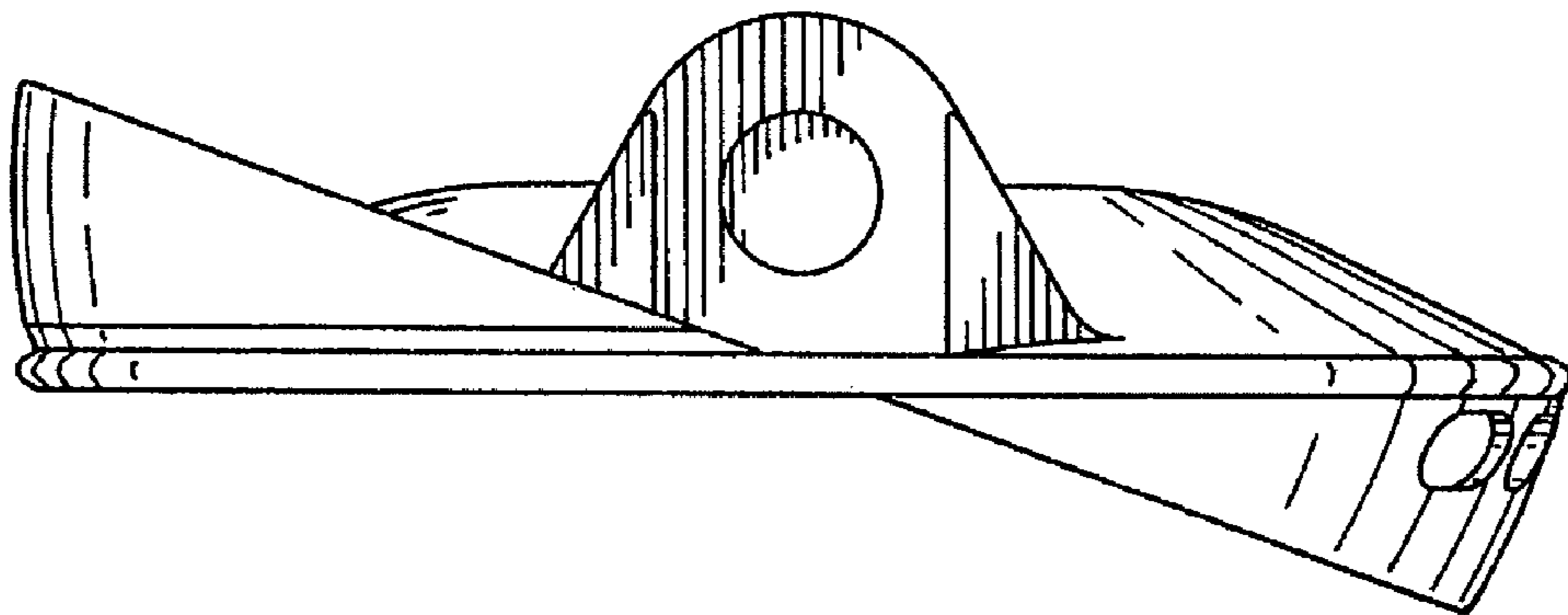


FIG. 6

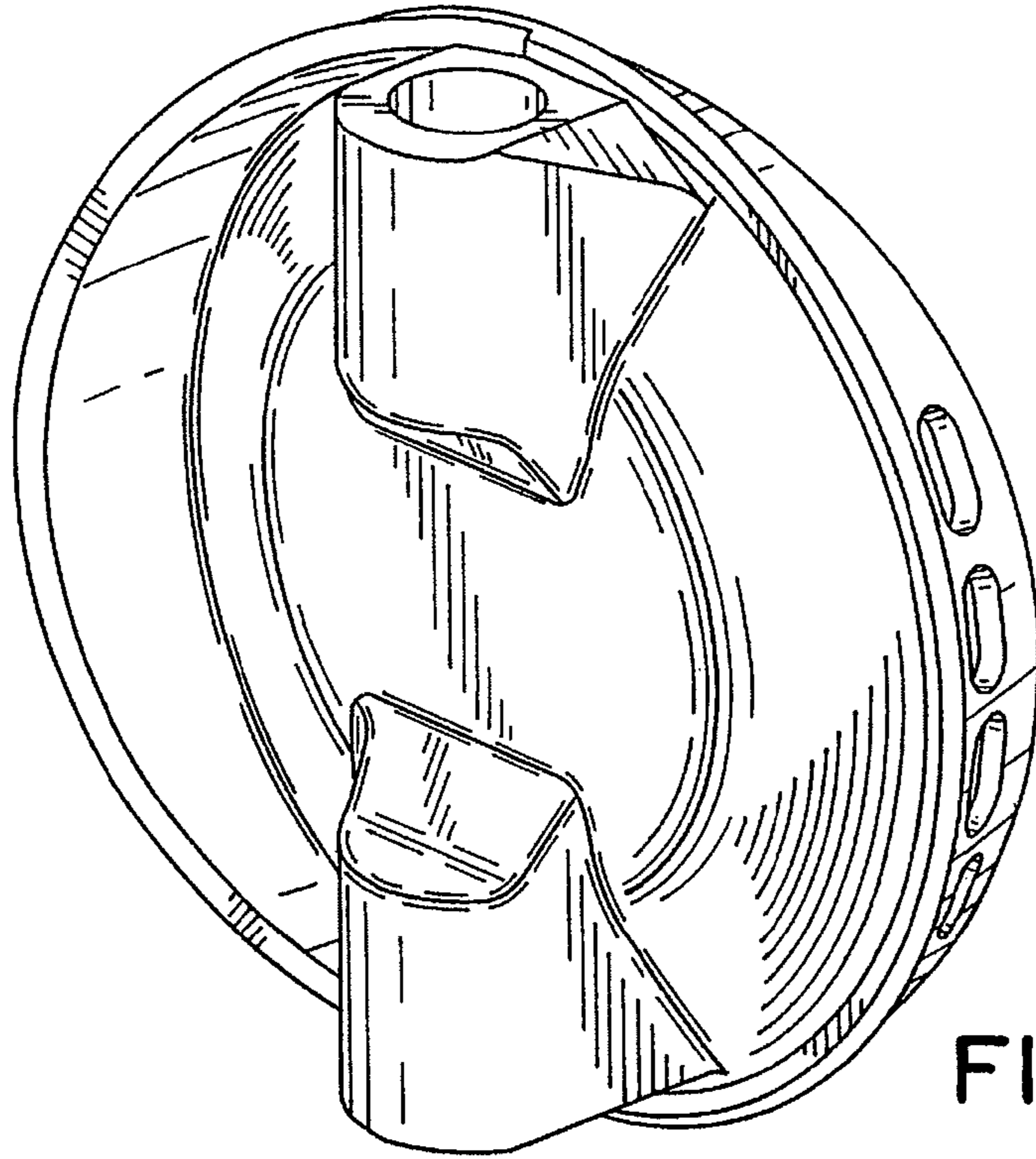


FIG. 7

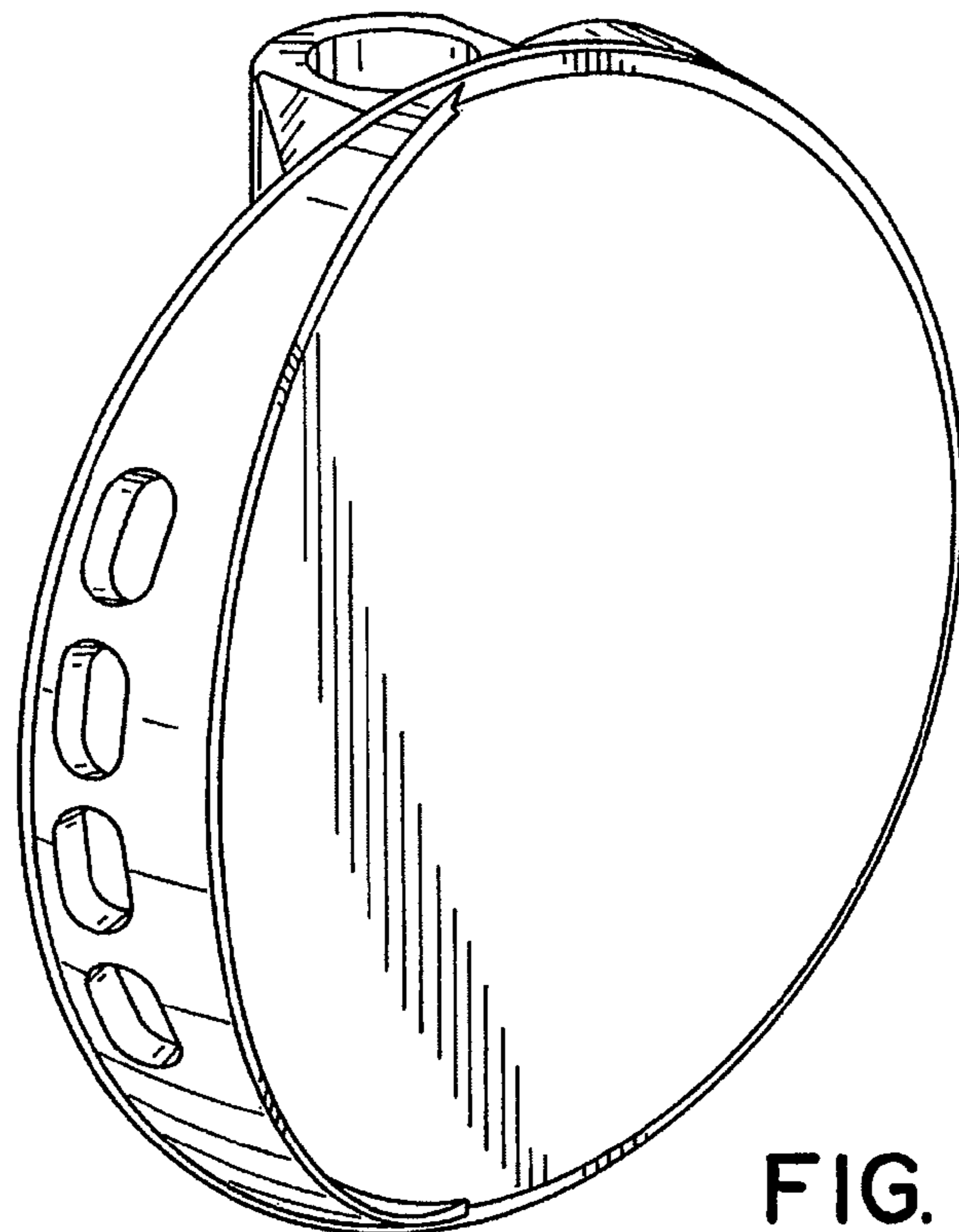


FIG. 8