



US00D650468S

(12) **United States Design Patent**
Wang

(10) **Patent No.:** **US D650,468 S**

(45) **Date of Patent:** **** Dec. 13, 2011**

(54) **POWER FILTER**

(75) Inventor: **Wu Wang**, Shenzhen (CN)

(73) Assignee: **Shenzhen Xingrisheng Industrial Co., Ltd.**, Shenzhen (CN)

(**) Term: **14 Years**

(21) Appl. No.: **29/397,202**

(22) Filed: **Jul. 13, 2011**

(30) **Foreign Application Priority Data**

Jan. 20, 2011 (CN) 2011 3 0012558

(51) **LOC (9) Cl.** **23-01**

(52) **U.S. Cl.** **D23/210**

(58) **Field of Classification Search** D23/207,
D23/208, 209, 210; 210/416.2, 167.2, 167.27,
210/167.26

See application file for complete search history.

(56) **References Cited**

U.S. PATENT DOCUMENTS

4,512,885 A * 4/1985 Willinger 210/136
D355,701 S * 2/1995 Willinger et al. D23/209
5,728,293 A * 3/1998 Guoli et al. 210/151

6,106,709 A * 8/2000 Bresolin 210/167.25
D441,829 S * 5/2001 Wang D23/210
D462,739 S * 9/2002 Carley et al. D23/210
D473,282 S * 4/2003 Lin D23/210
D505,711 S * 5/2005 Wu D23/210
D520,104 S * 5/2006 Wang D23/210
7,241,379 B2 * 7/2007 Agresta 210/167.27
D571,891 S * 6/2008 Muhlbauer et al. D23/210
7,651,609 B2 * 1/2010 Huehn 210/167.21

* cited by examiner

Primary Examiner — Robin V Webster

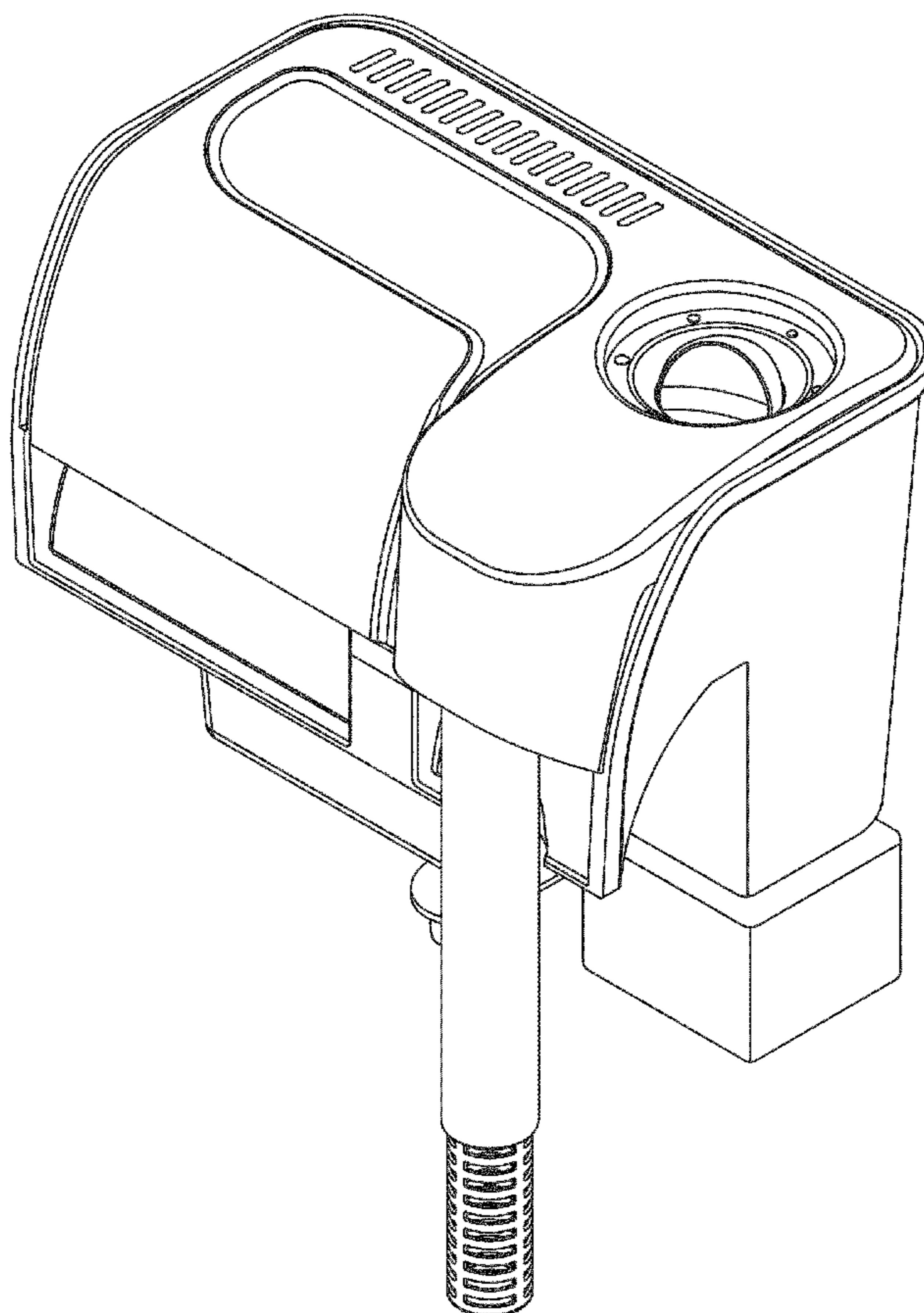
(57) **CLAIM**

The ornamental design for a power filter, as shown and described.

DESCRIPTION

FIG. 1 is a perspective view of a power filter showing my new design;
FIG. 2 is another perspective view;
FIG. 3 is a front elevation view thereof;
FIG. 4 is a rear elevation view thereof;
FIG. 5 is a left side elevation view thereof ;
FIG. 6 is a right side elevation view thereof;
FIG. 7 is a top plan view thereof; and,
FIG. 8 is bottom plan view thereof.

1 Claim, 7 Drawing Sheets



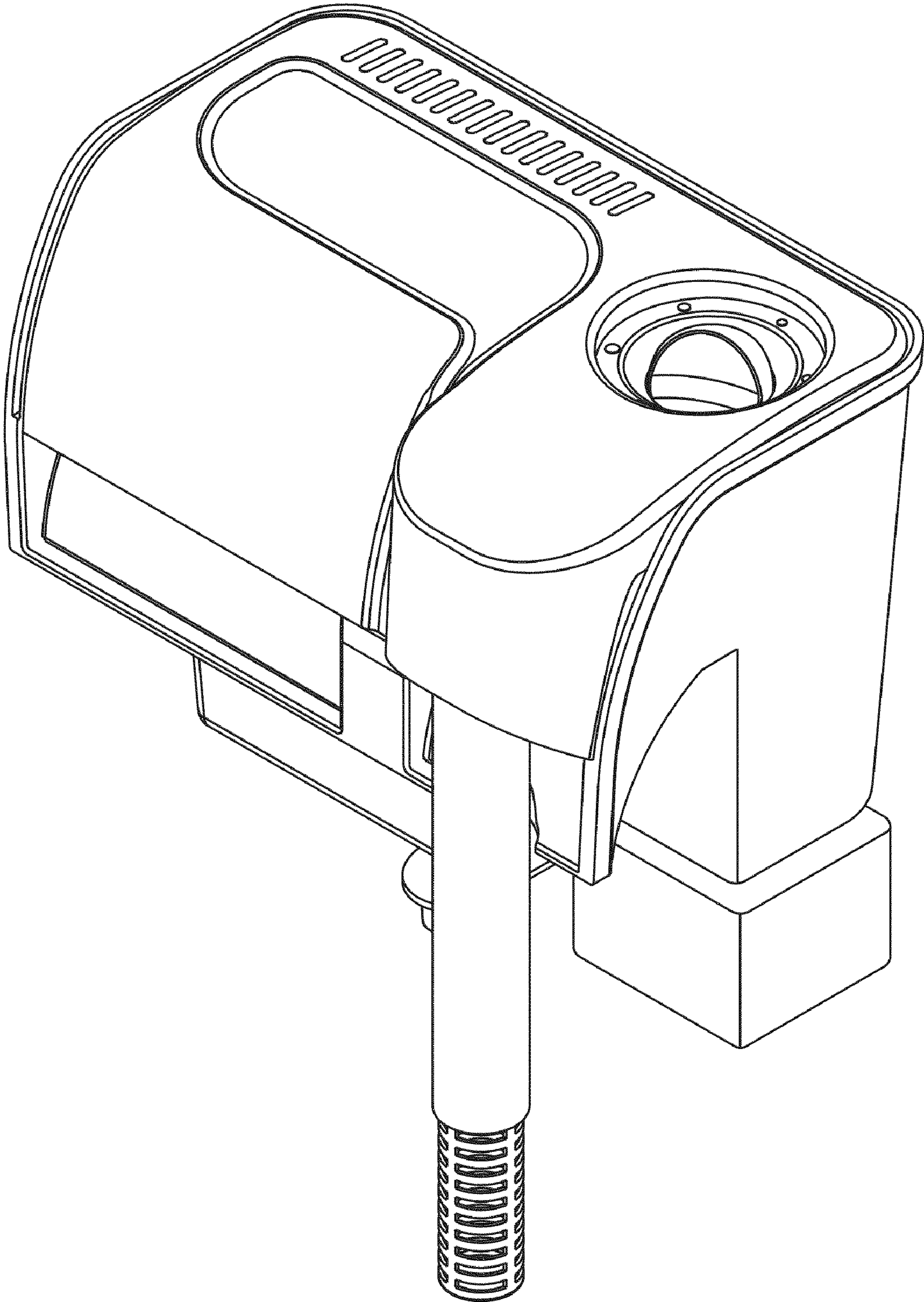


Fig. 1

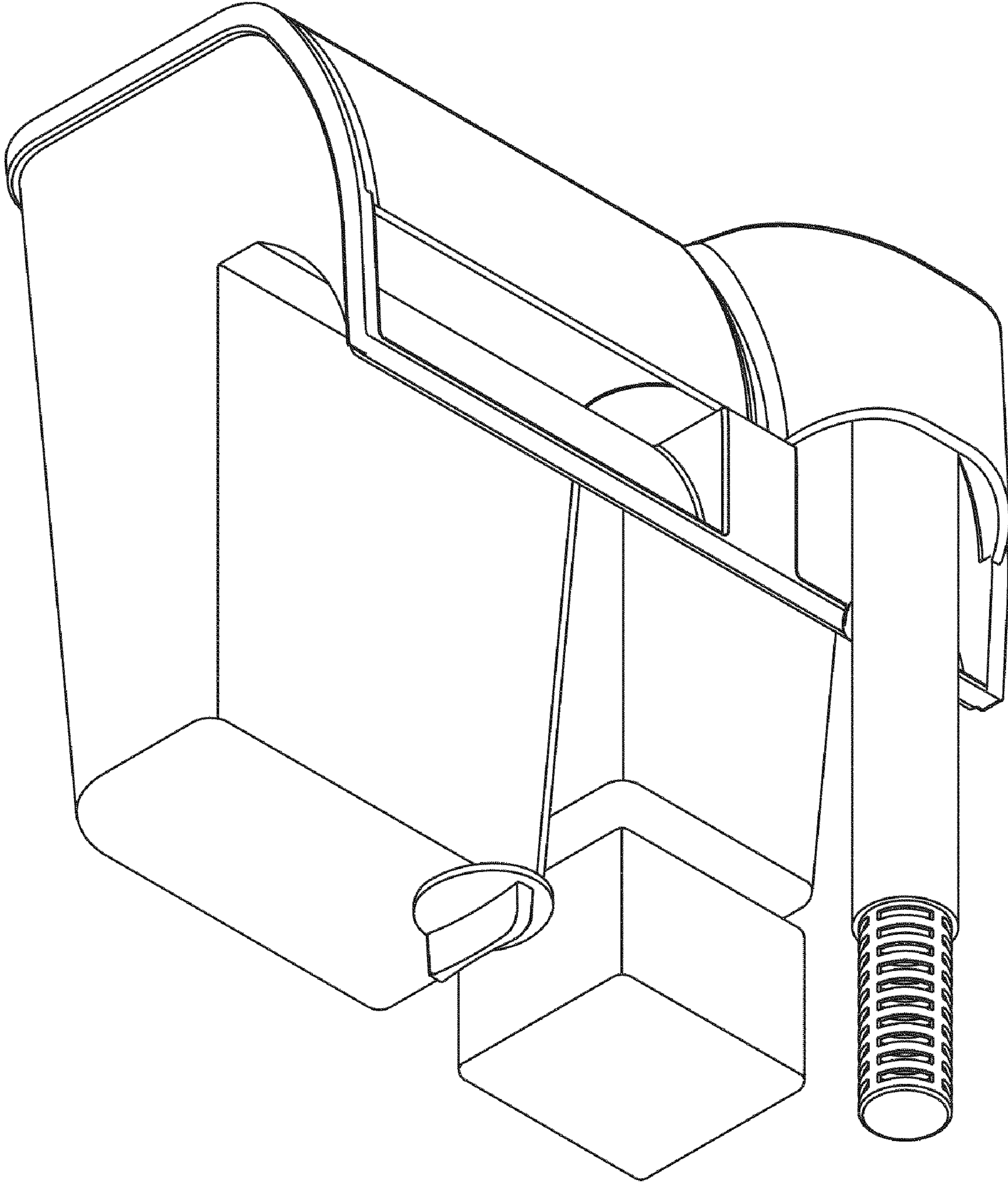


Fig.2

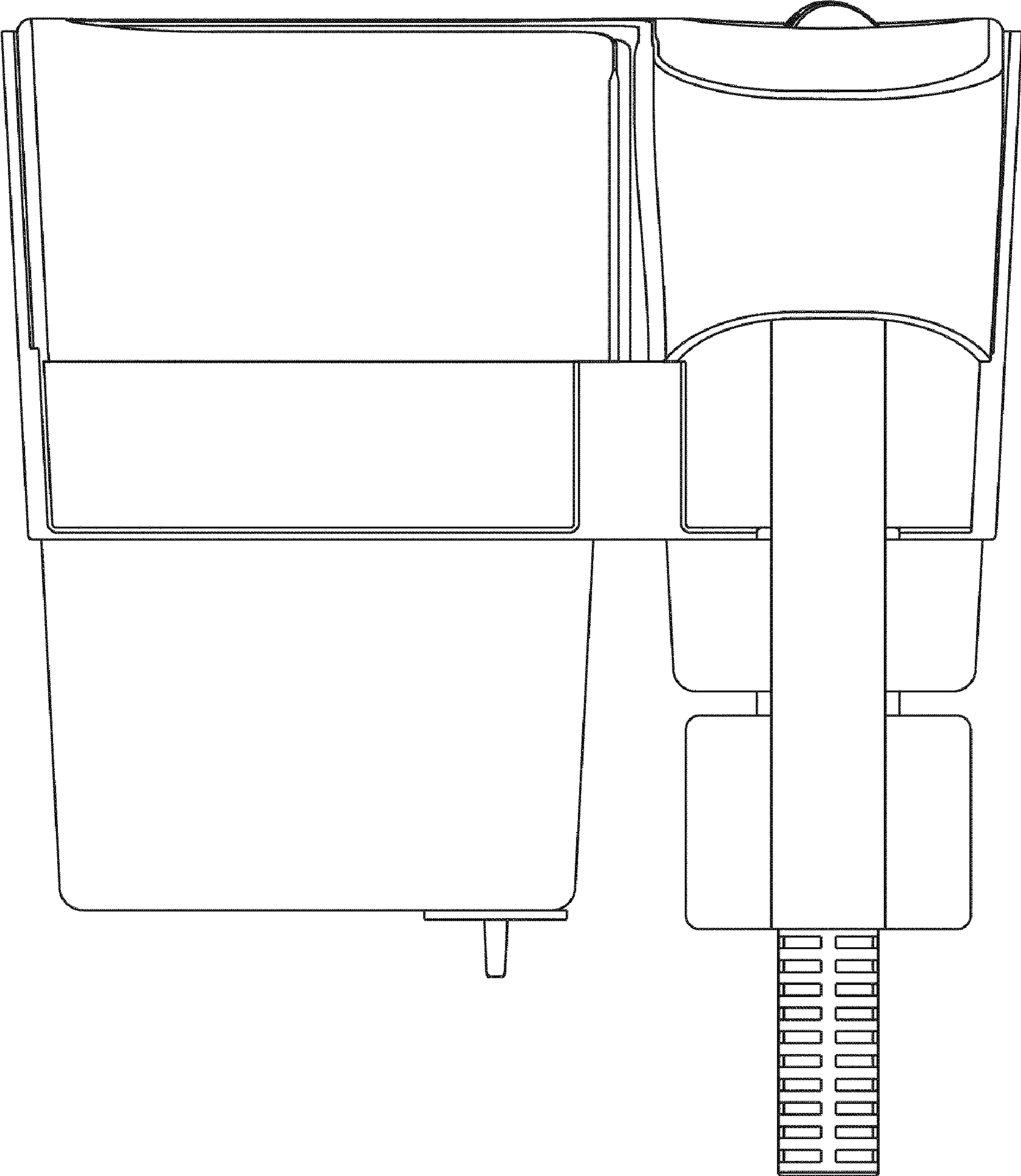


Fig.3

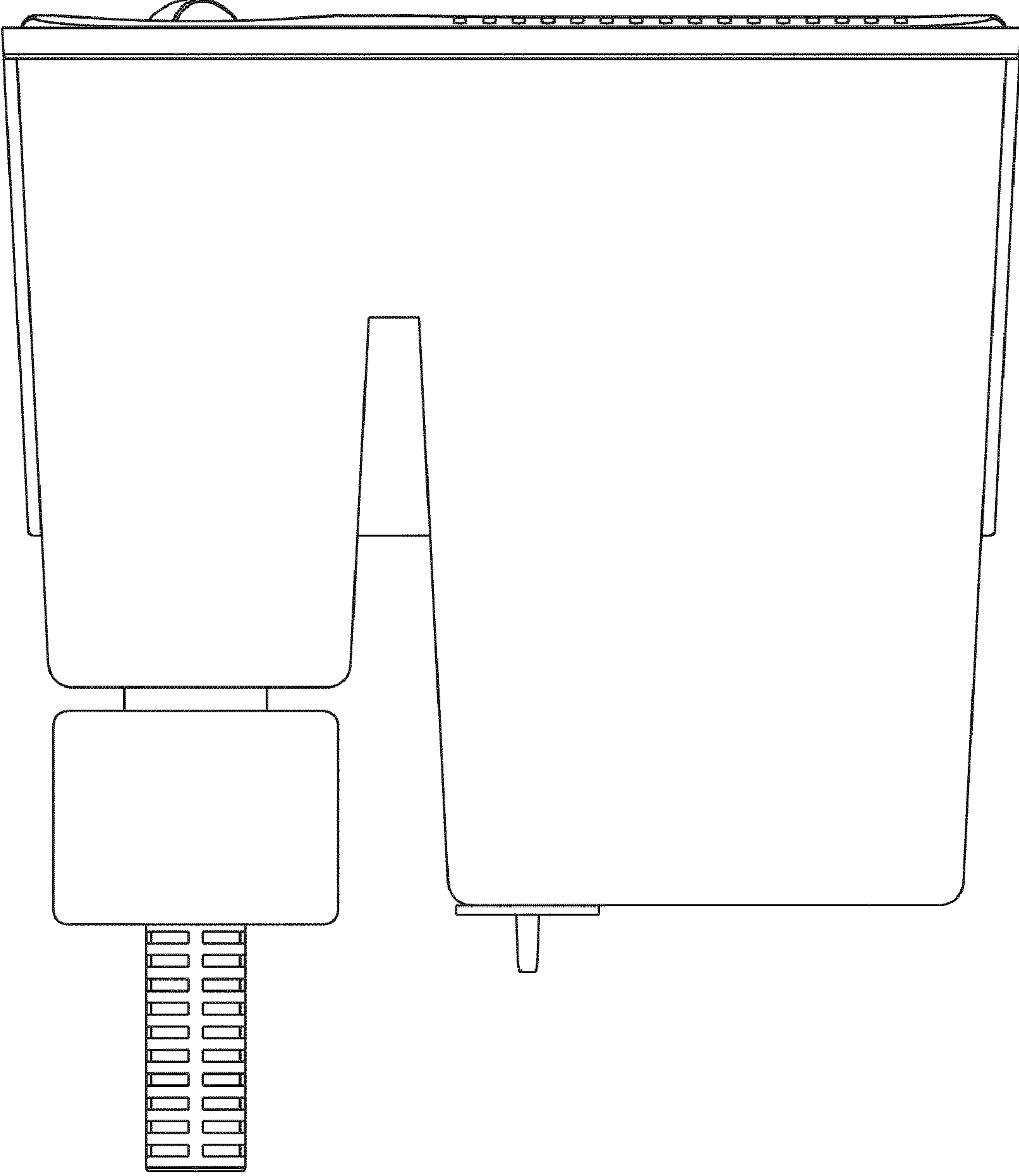


Fig.4

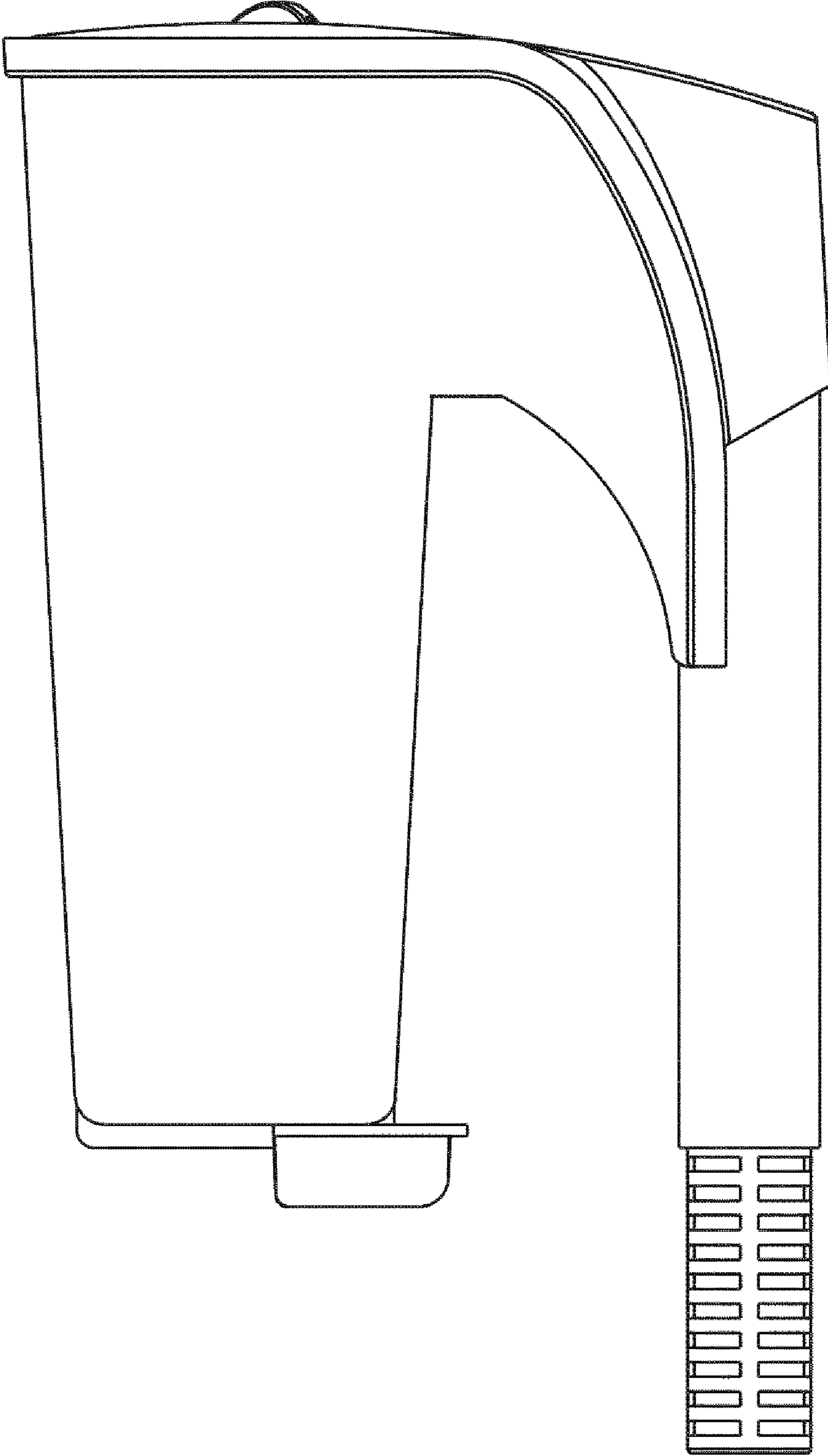


Fig.5

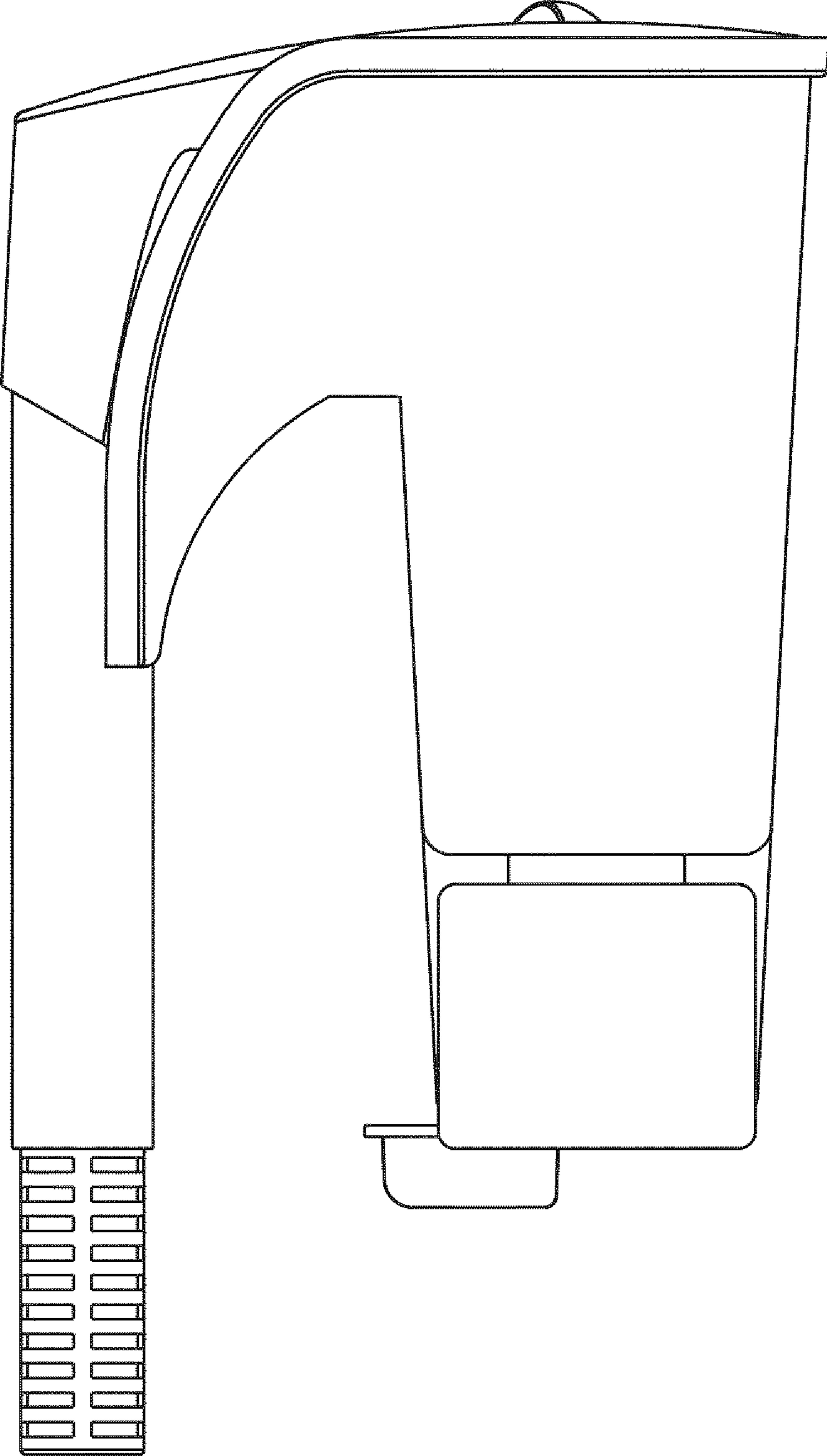


Fig.6

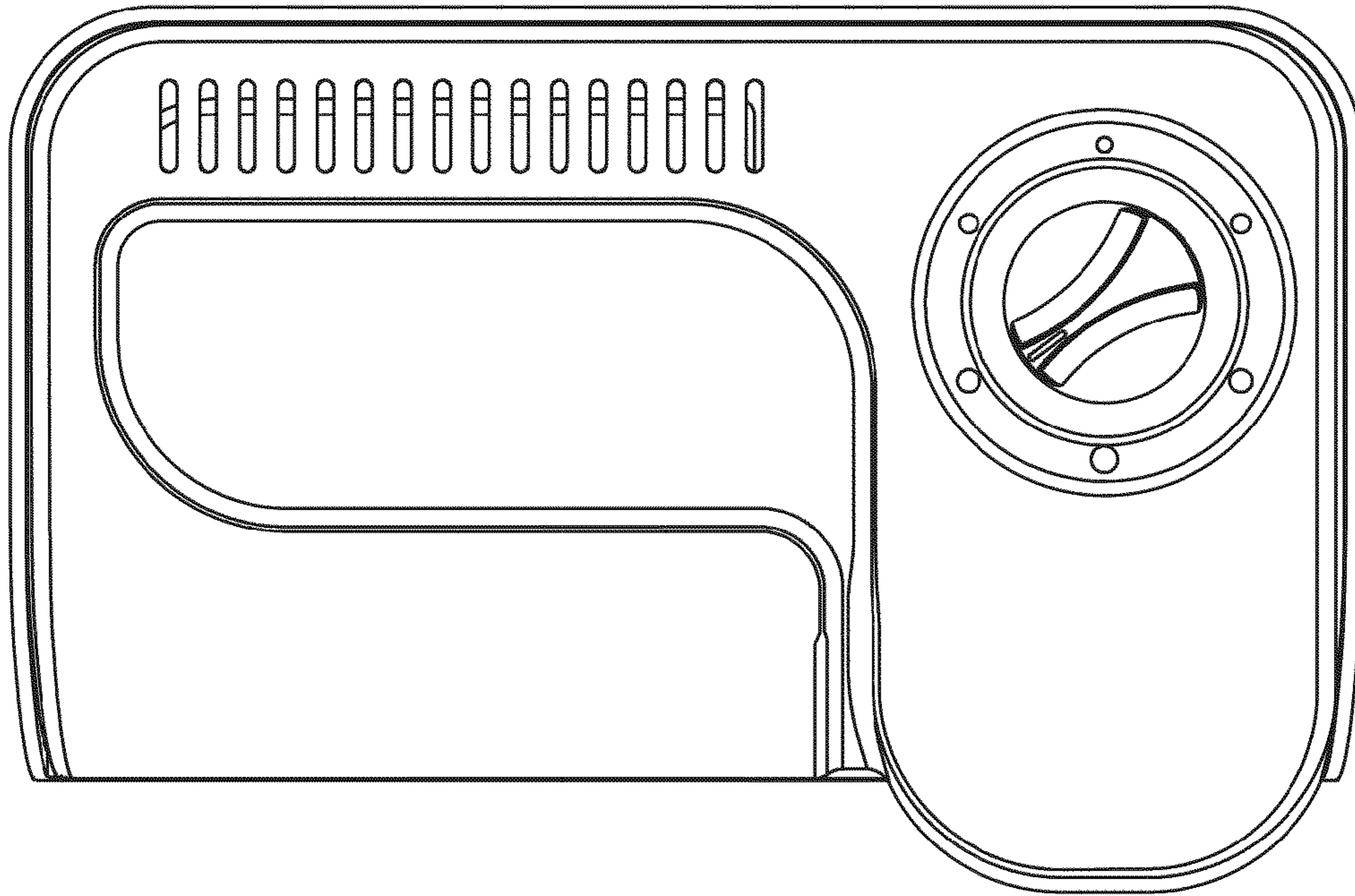


Fig.7

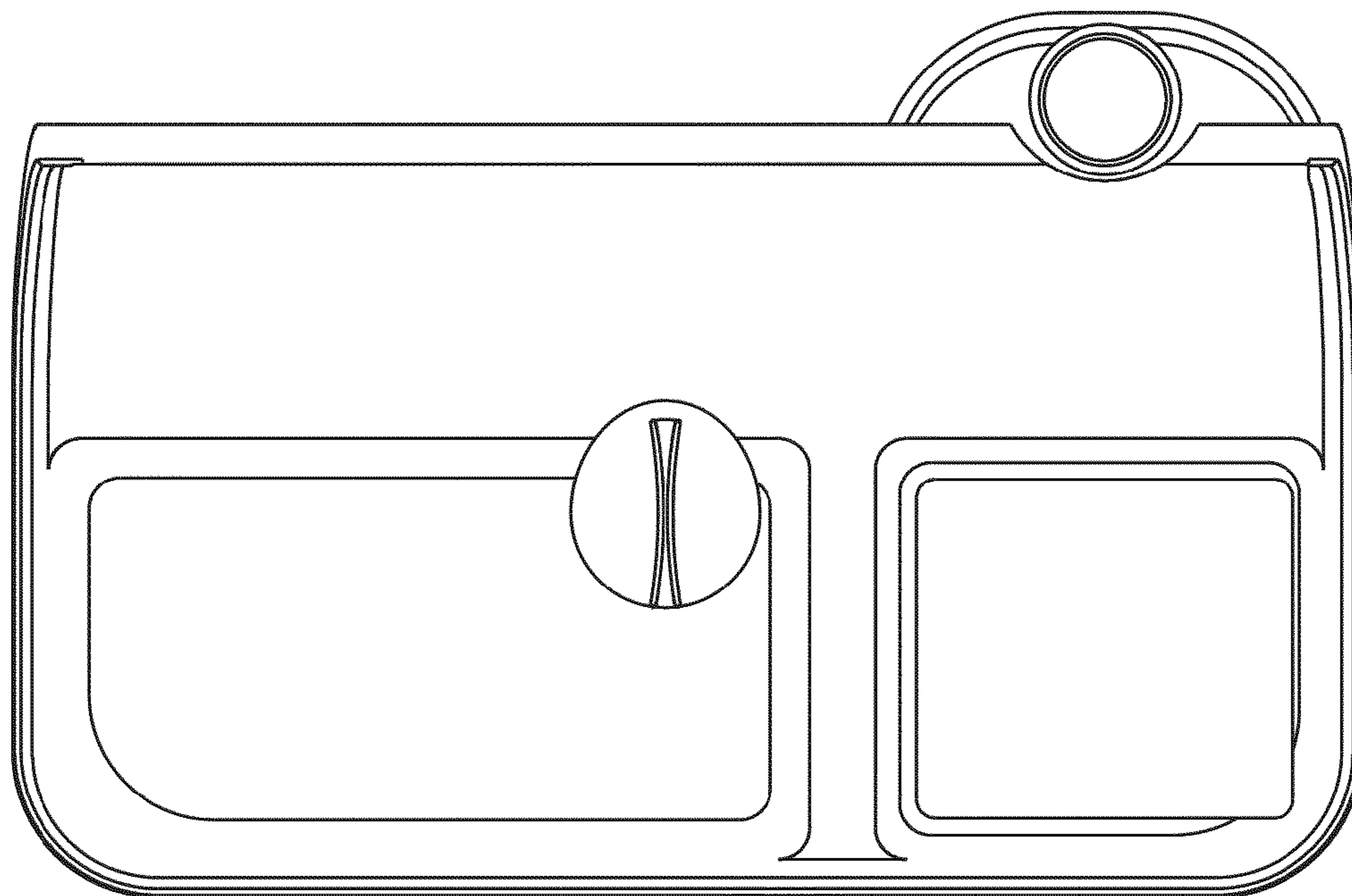


Fig.8