



US00D650465S

(12) **United States Design Patent**
Asaba

(10) **Patent No.:** **US D650,465 S**
(45) **Date of Patent:** **** Dec. 13, 2011**

(54) **FISHING REEL PORTION**

(75) Inventor: **Mariko Asaba**, Osaka (JP)

(73) Assignee: **Shimano Inc.**, Osaka (JP)

(**) Term: **14 Years**

(21) Appl. No.: **29/390,490**

(22) Filed: **Apr. 26, 2011**

(30) **Foreign Application Priority Data**

Dec. 13, 2010 (JP) 2010-029635

(51) **LOC (9) Cl.** **22-05**

(52) **U.S. Cl.** **D22/141**

(58) **Field of Classification Search** D22/140–142,
D22/137–139; 242/310–316, 223–224, 230,
242/238, 283, 322, 242; 43/19–22

See application file for complete search history.

(56) **References Cited**

U.S. PATENT DOCUMENTS

- D627,417 S * 11/2010 Nago D22/141
- D627,418 S * 11/2010 Nago D22/141
- D627,423 S * 11/2010 Noma D22/141

* cited by examiner

Primary Examiner — Catheri Oliver

(74) *Attorney, Agent, or Firm* — Global IP Counselors, LLP

(57) **CLAIM**

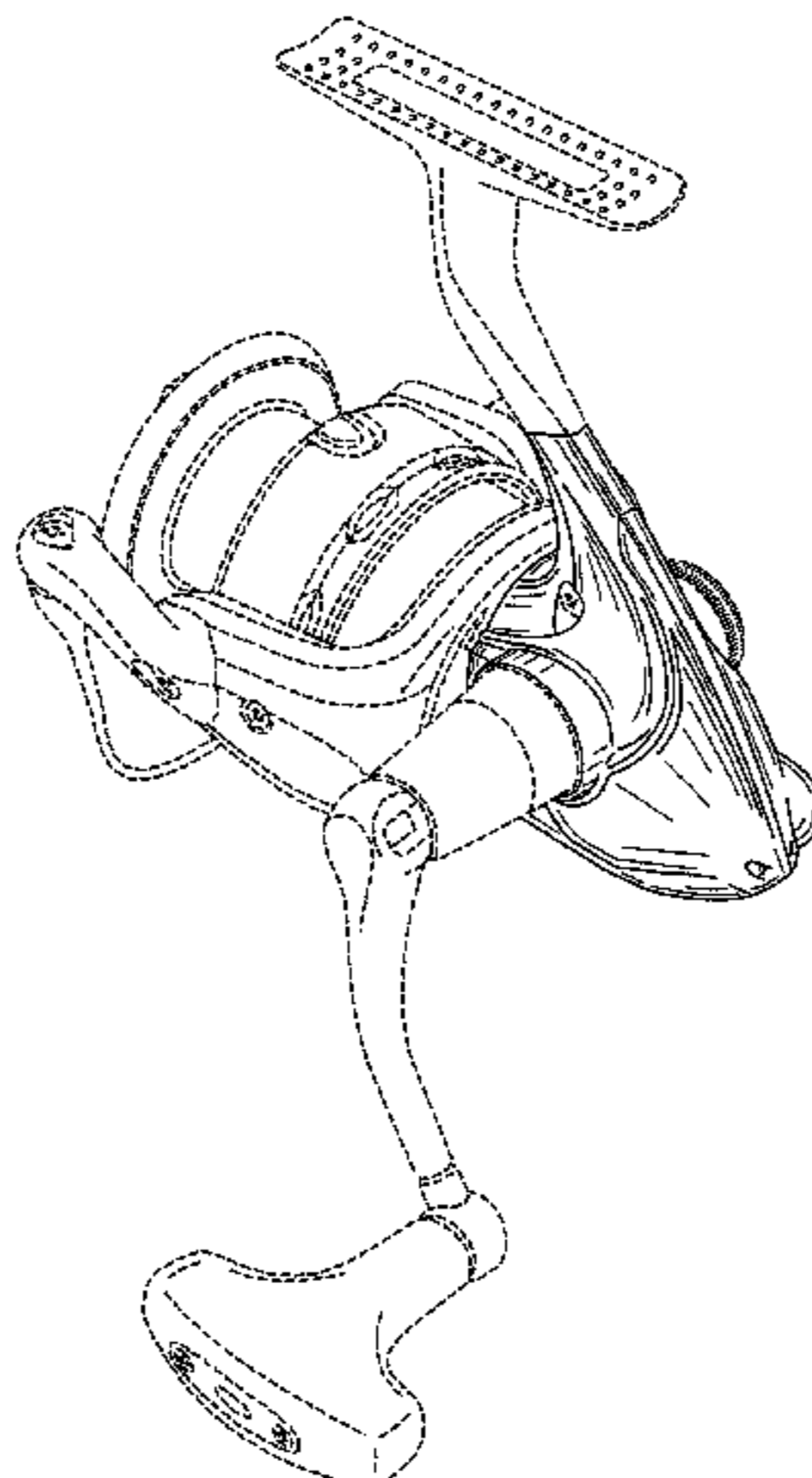
The ornamental design for fishing reel portion, as shown and described.

DESCRIPTION

FIG. 1 is a first perspective view of a fishing reel including a fishing reel portion in accordance with my new design;
 FIG. 2 is a second perspective view of the fishing reel including the fishing reel portion illustrated in FIG. 1;
 FIG. 3 is a first side elevational view of the fishing reel including the fishing reel portion illustrated in FIG. 1;
 FIG. 4 is a second side elevational view of the fishing reel including the fishing reel portion illustrated in FIG. 1;
 FIG. 5 is a top plan view of the fishing reel including the fishing reel portion illustrated in FIG. 1;

FIG. 6 is a bottom plan view of the fishing reel including the fishing reel portion illustrated in FIG. 1;
 FIG. 7 is a first end elevational view of the fishing reel including the fishing reel portion illustrated in FIG. 1;
 FIG. 8 is a second end elevational view of the fishing reel including the fishing reel portion illustrated in FIG. 1;
 FIG. 9 is an enlarged perspective view, corresponding to a part of FIG. 1, of the fishing reel portion illustrated in FIG. 1;
 FIG. 10 is an enlarged perspective view, corresponding to a part of FIG. 2, of a part of the fishing reel that includes the fishing reel portion illustrated in FIG. 1;
 FIG. 11 is an enlarged side elevational view, corresponding to FIG. 7, of a part of the fishing reel that includes the fishing reel portion illustrated in FIG. 1;
 FIG. 12 is a partial side elevational view of the fishing reel portion illustrated in FIG. 1;
 FIG. 13 is a first cross sectional view of the fishing reel portion as seen along section line 13-13 of FIG. 12;
 FIG. 14 is a second cross sectional view of the fishing reel portion as seen along section line 14-14 of FIG. 12;
 FIG. 15 is a third cross sectional view of the fishing reel portion as seen along section line 15-15 of FIG. 12;
 FIG. 16 is a side elevational view, similar to FIG. 3, of an alternate fishing reel portion; and,
 FIG. 17 is a side elevational view, similar to FIG. 4, of the alternate fishing reel portion illustrated in FIG. 16.
 The broken line illustration of the environmental structure (the remaining structure of the fishing reel) in the drawings is not part of the claimed design. The sectional views are provided to clarify the exact contour or configuration of the exterior surface of the fishing reel portion, and no attempt is made to illustrate features of internal construction. The alternate design of the fishing reel portion illustrated in FIGS. 16 and 17 is identical to the fishing reel portion illustrated in FIGS. 1 to 15, except that the upper boundary of the alternate fishing reel portion, illustrated in FIGS. 16 and 17 does not form part of the claimed design in the alternate fishing reel portion illustrated in FIG. 17. In other words, with respect to the alternate design of the fishing reel portion illustrated in FIG. 17, it should be understood that the claimed design extends to the upper boundary but does not include the upper boundary that is shown in broken lines.

1 Claim, 9 Drawing Sheets



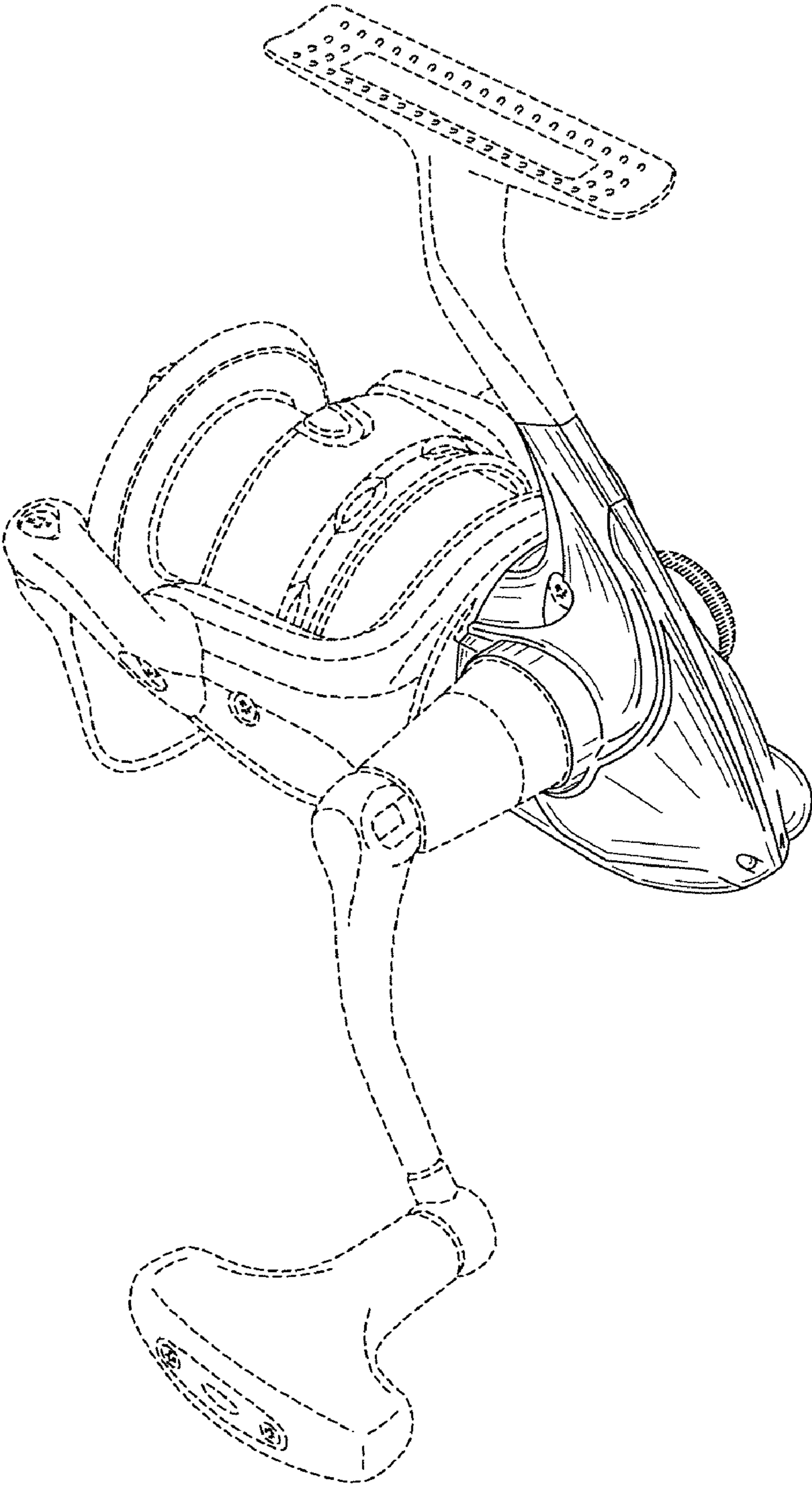


FIG. 1

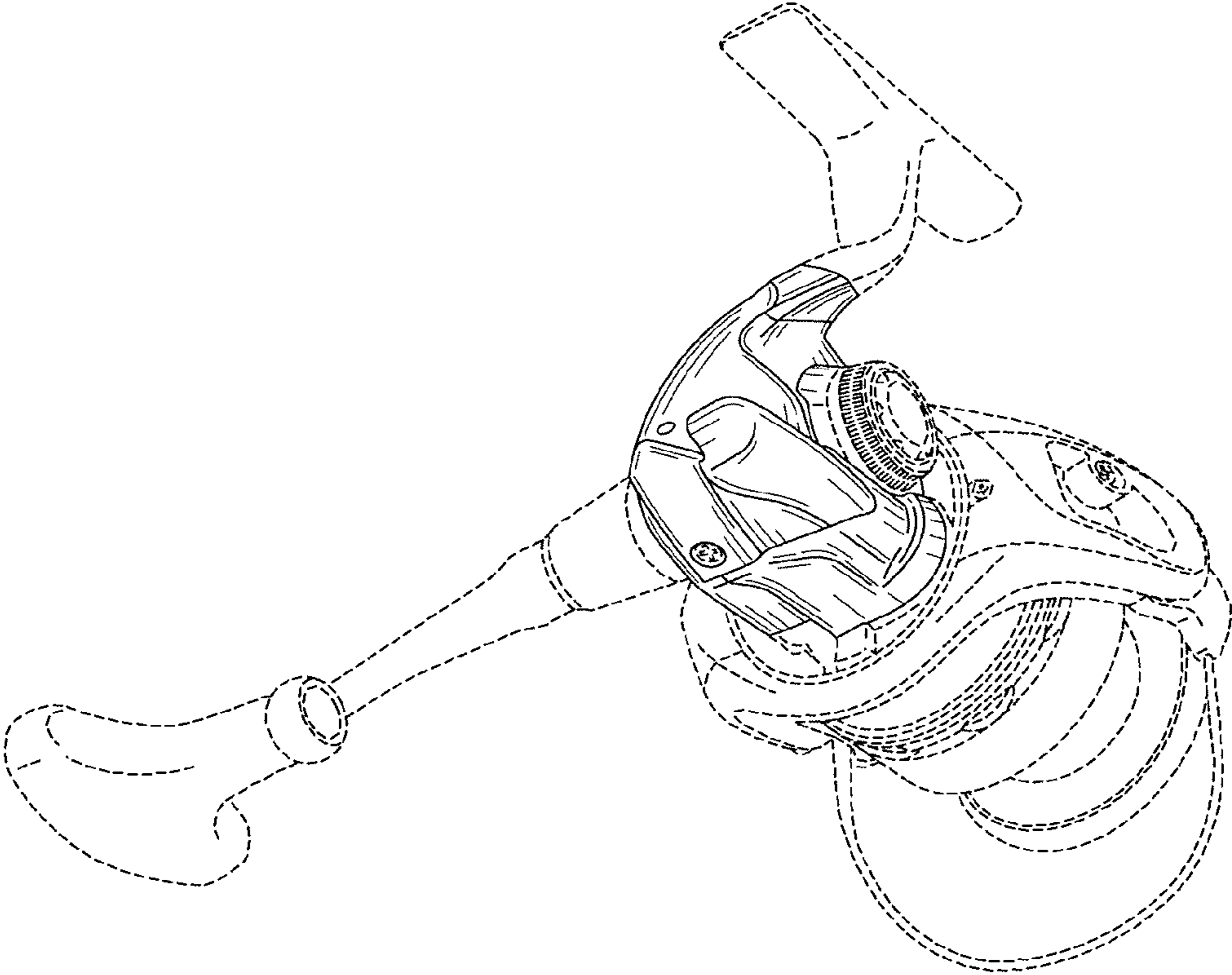


FIG. 2

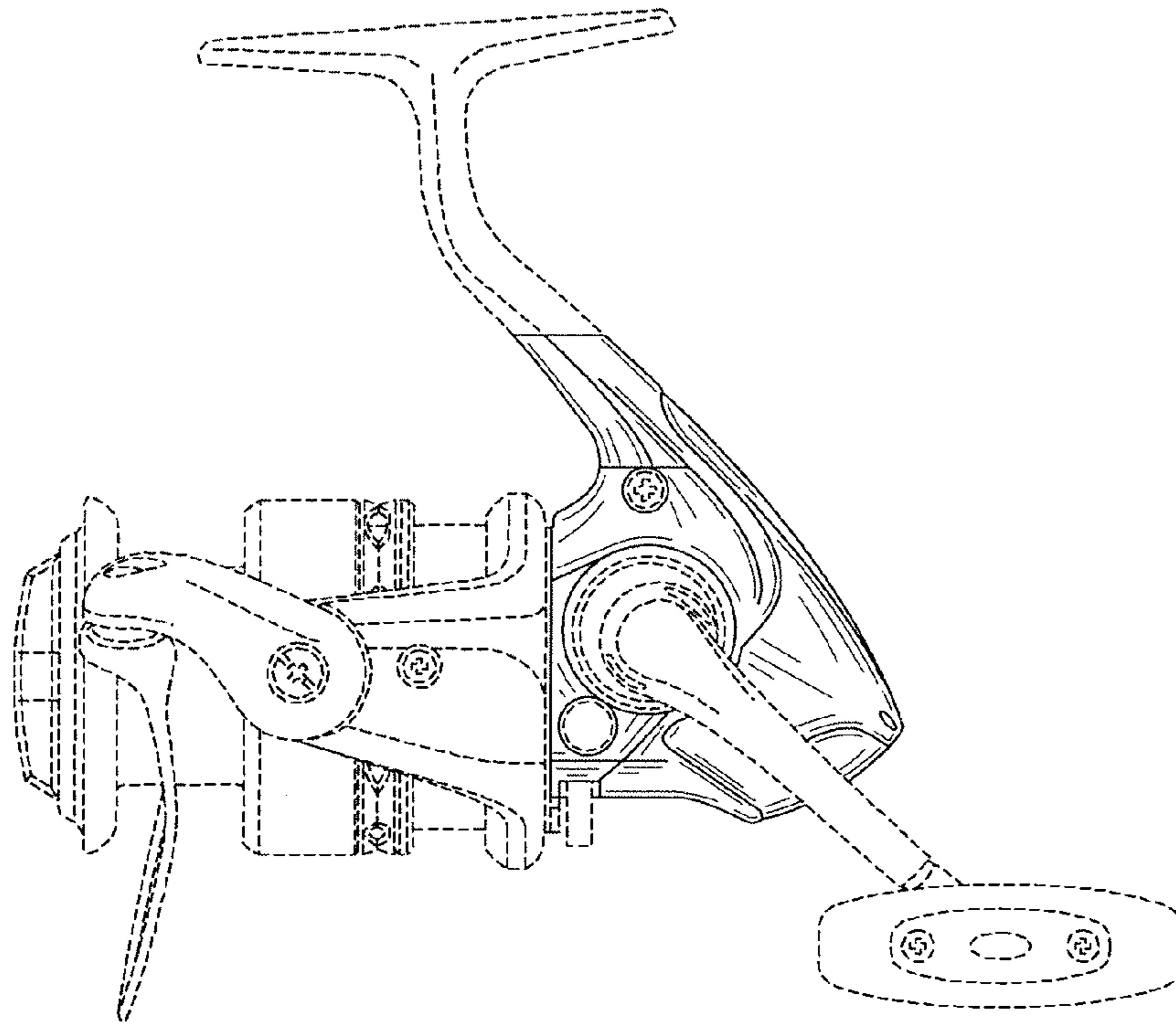


FIG. 3

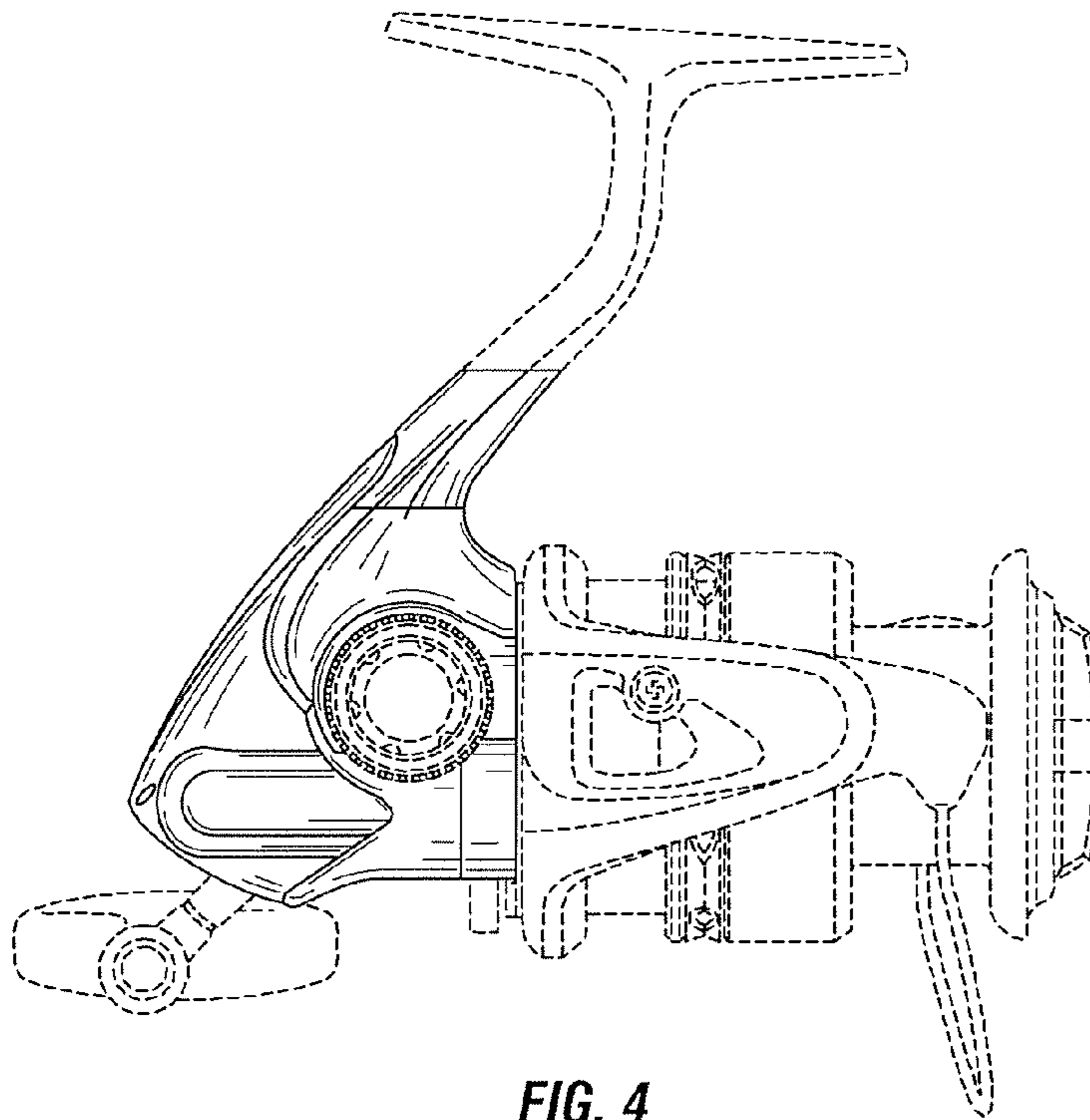
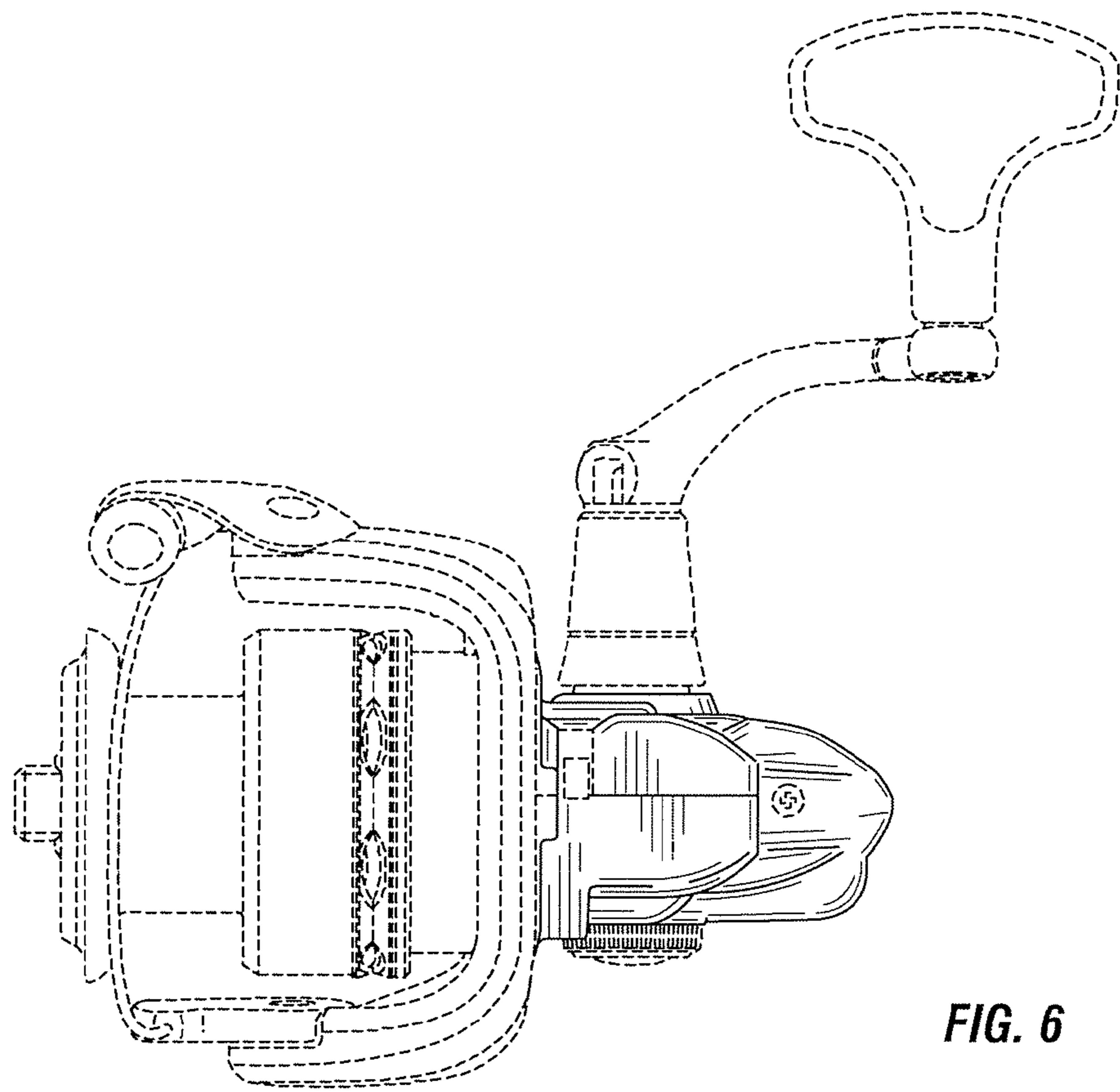
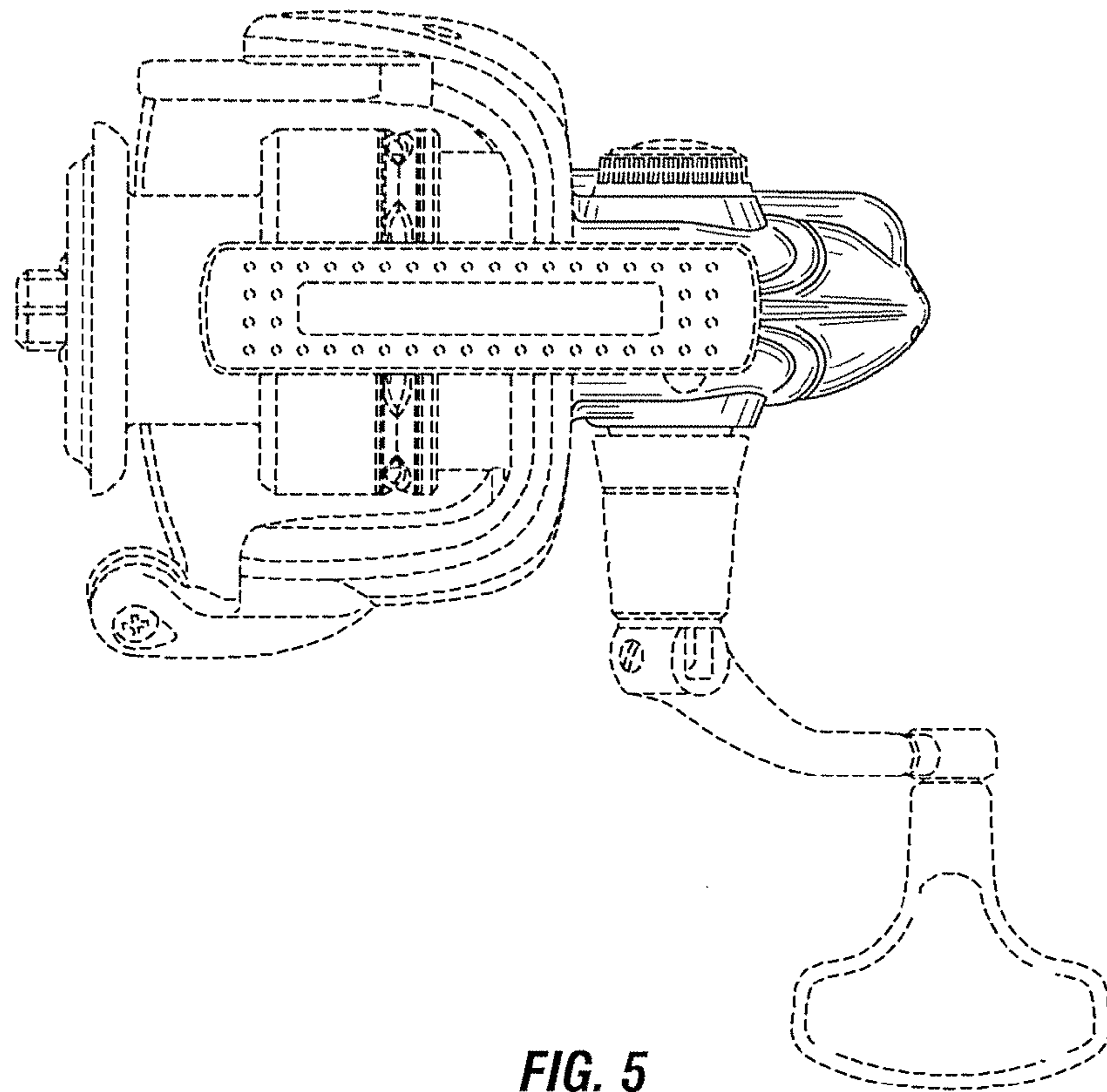


FIG. 4



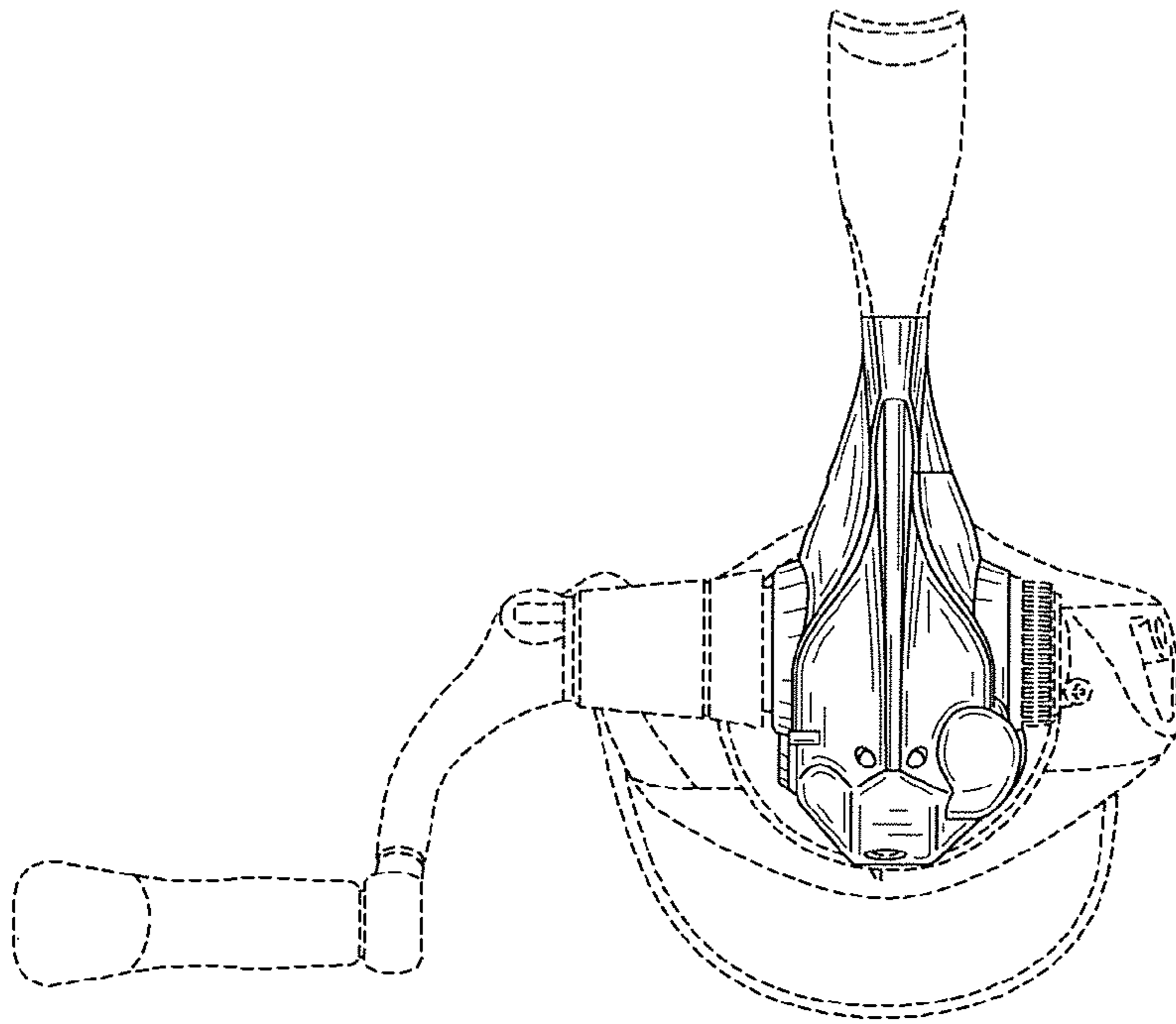


FIG. 7

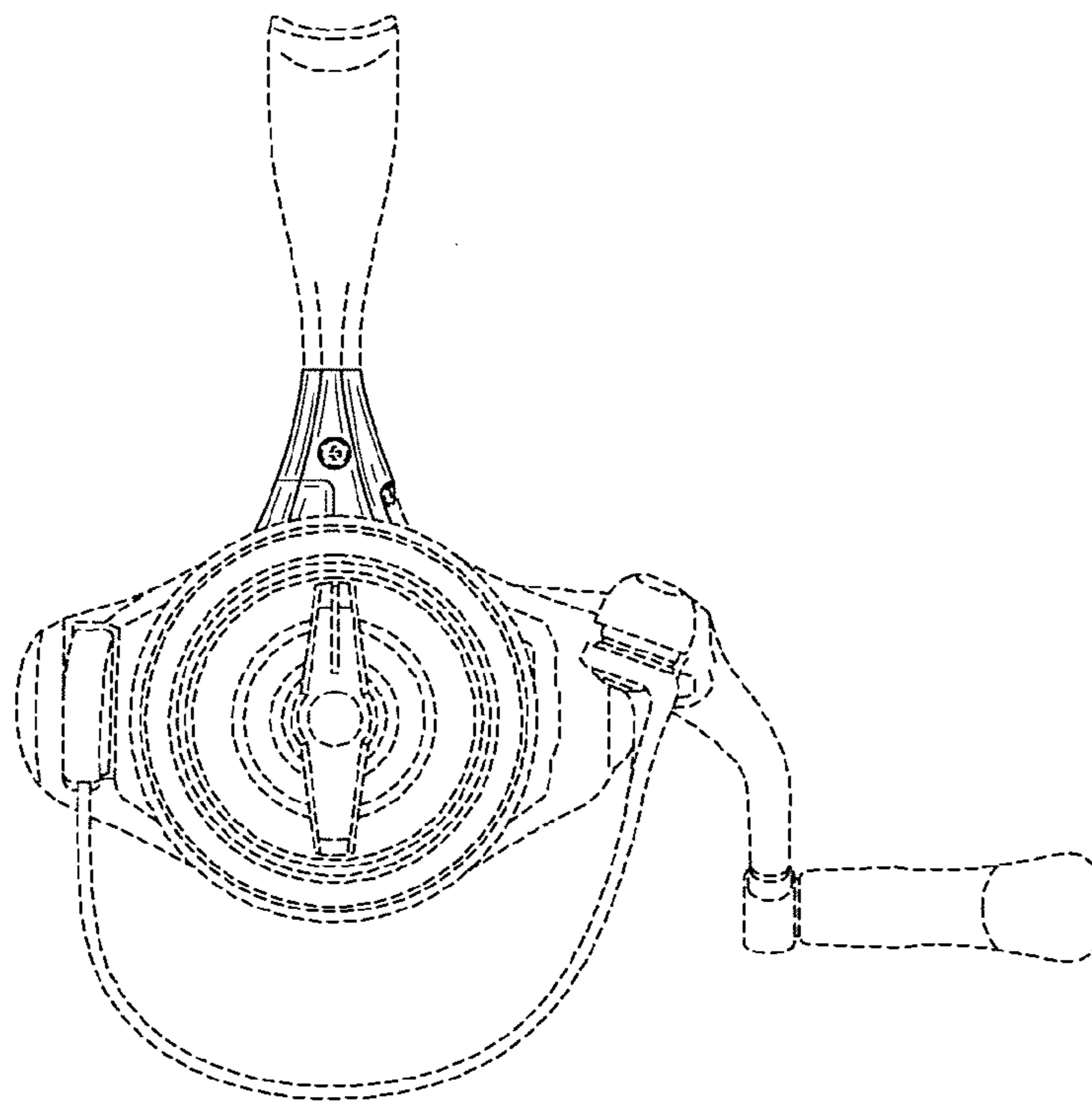


FIG. 8

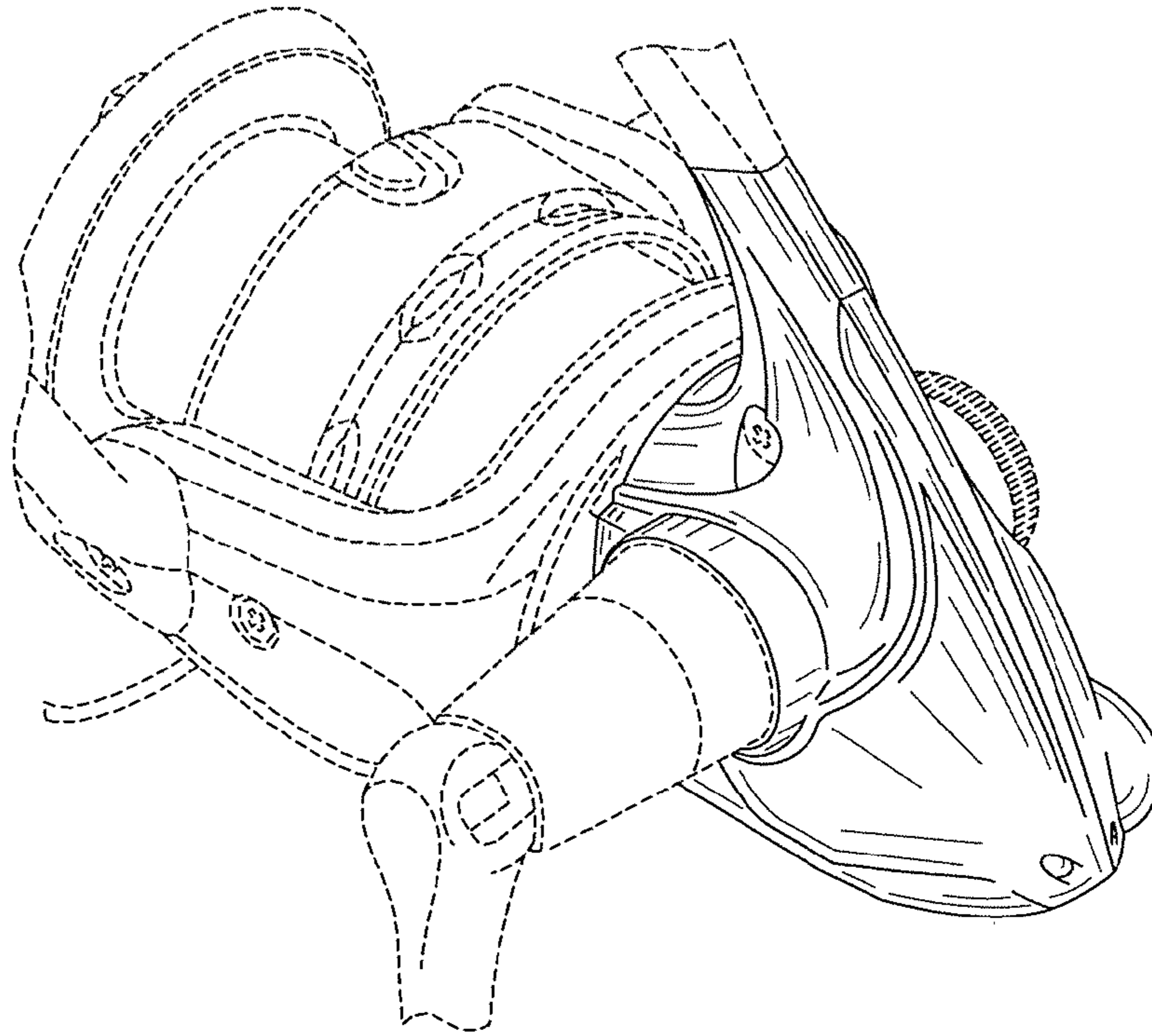


FIG. 9

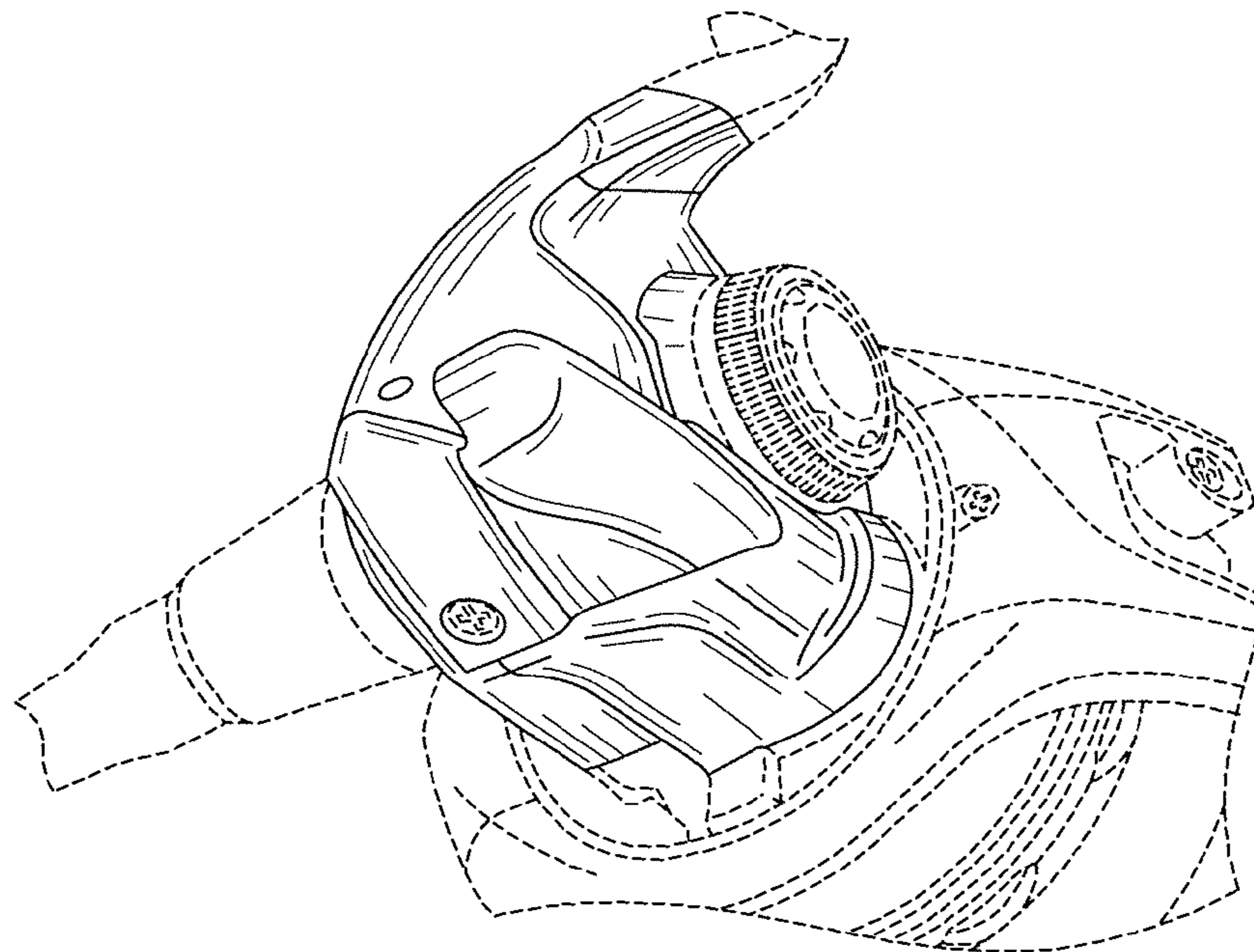


FIG. 10

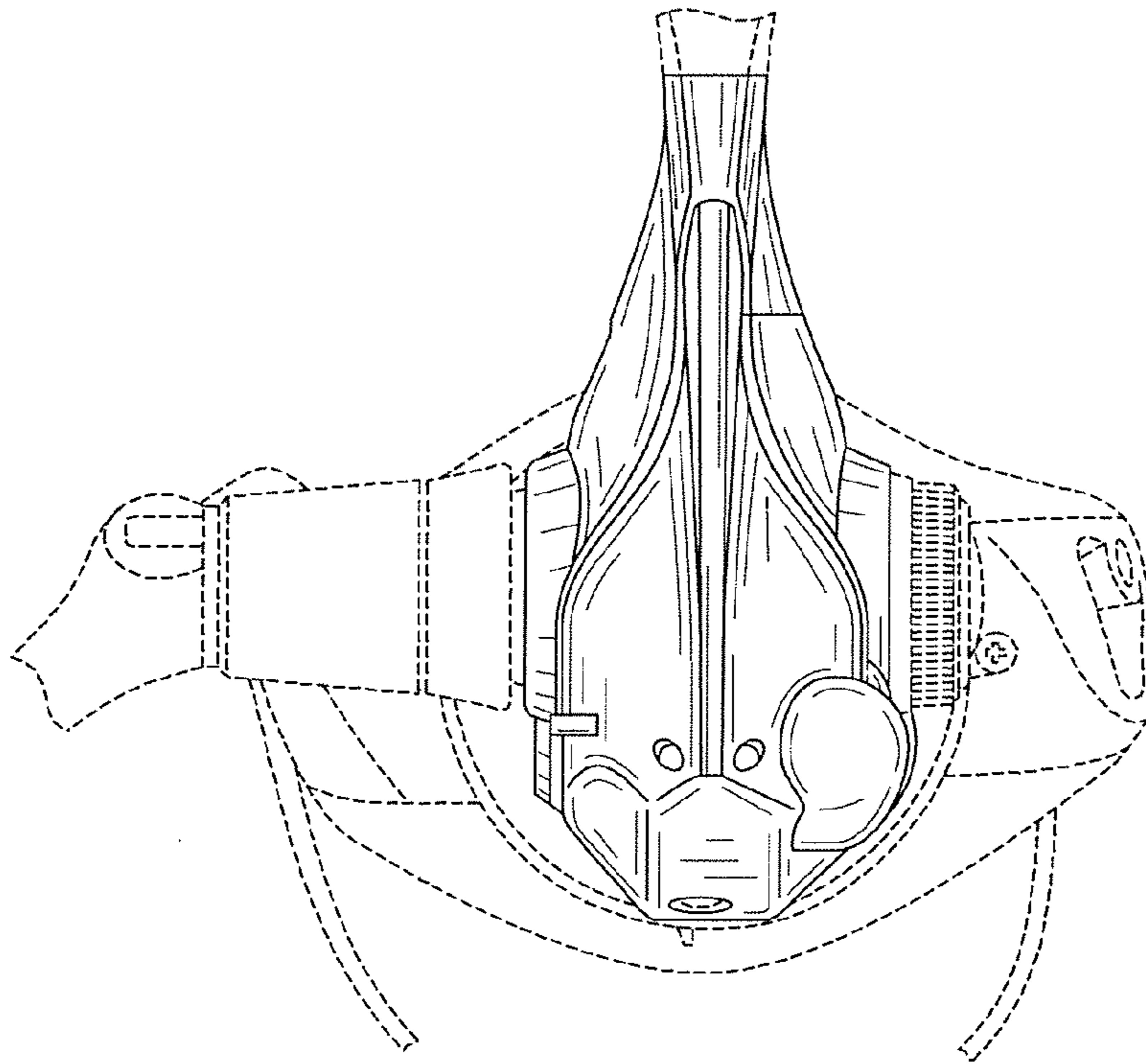


FIG. 11

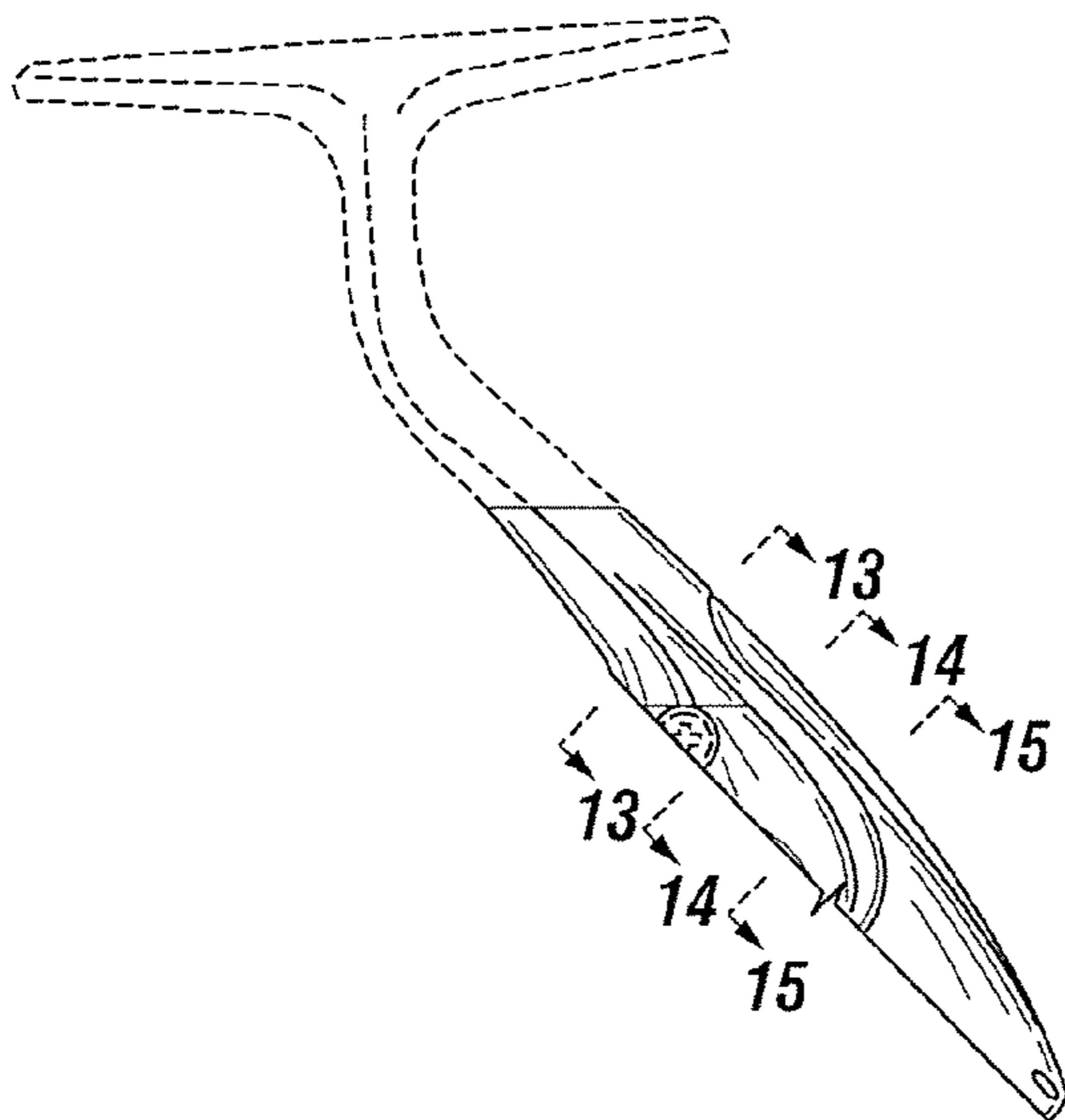


FIG. 12

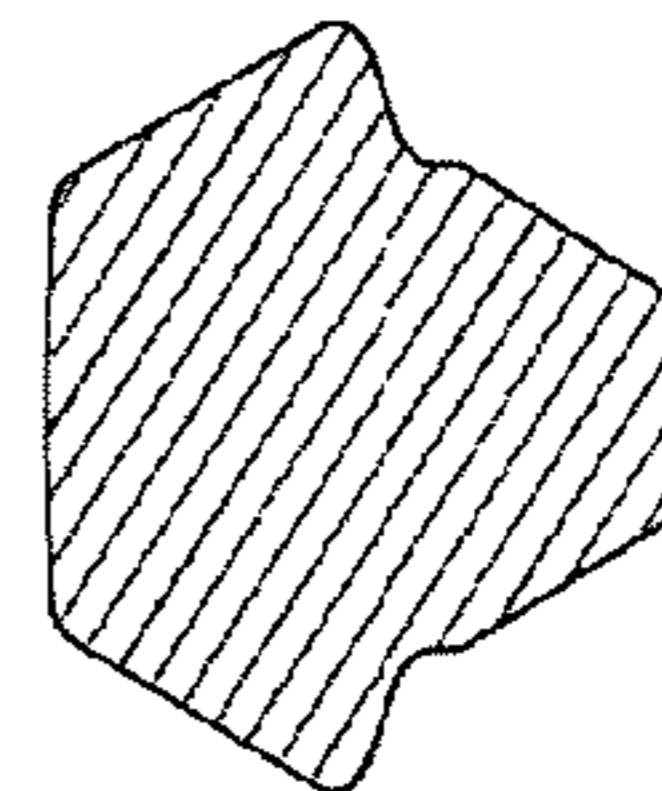


FIG. 13

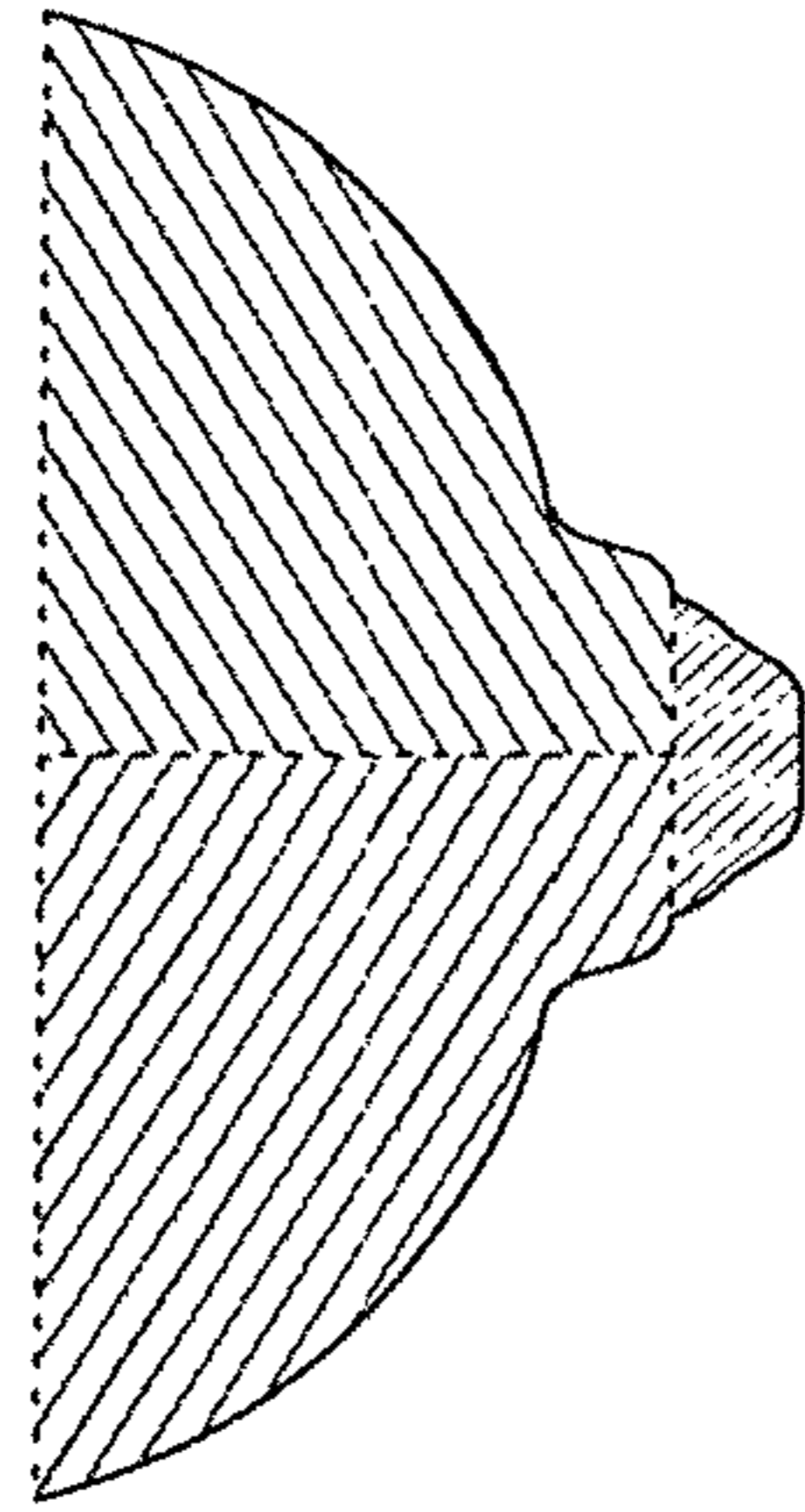


FIG. 14

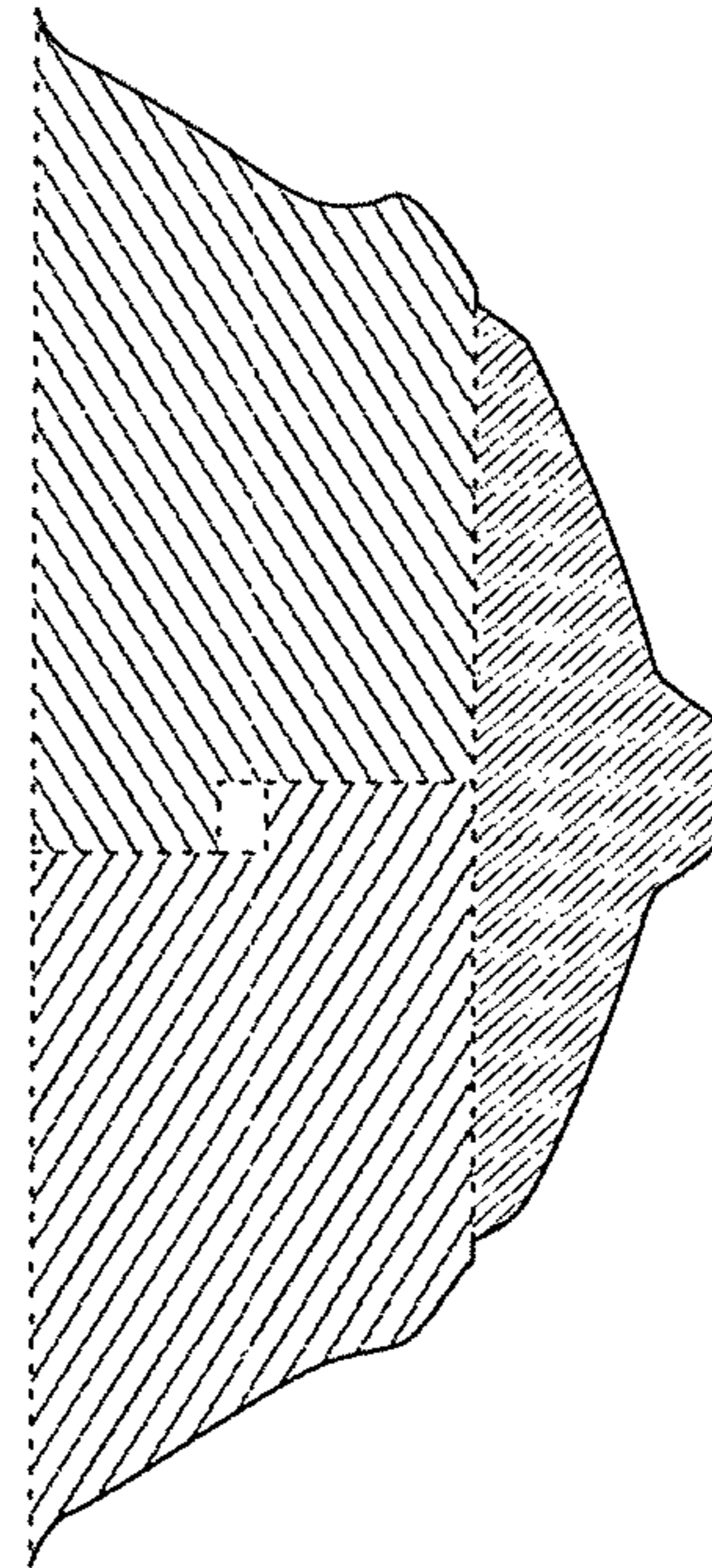


FIG. 15

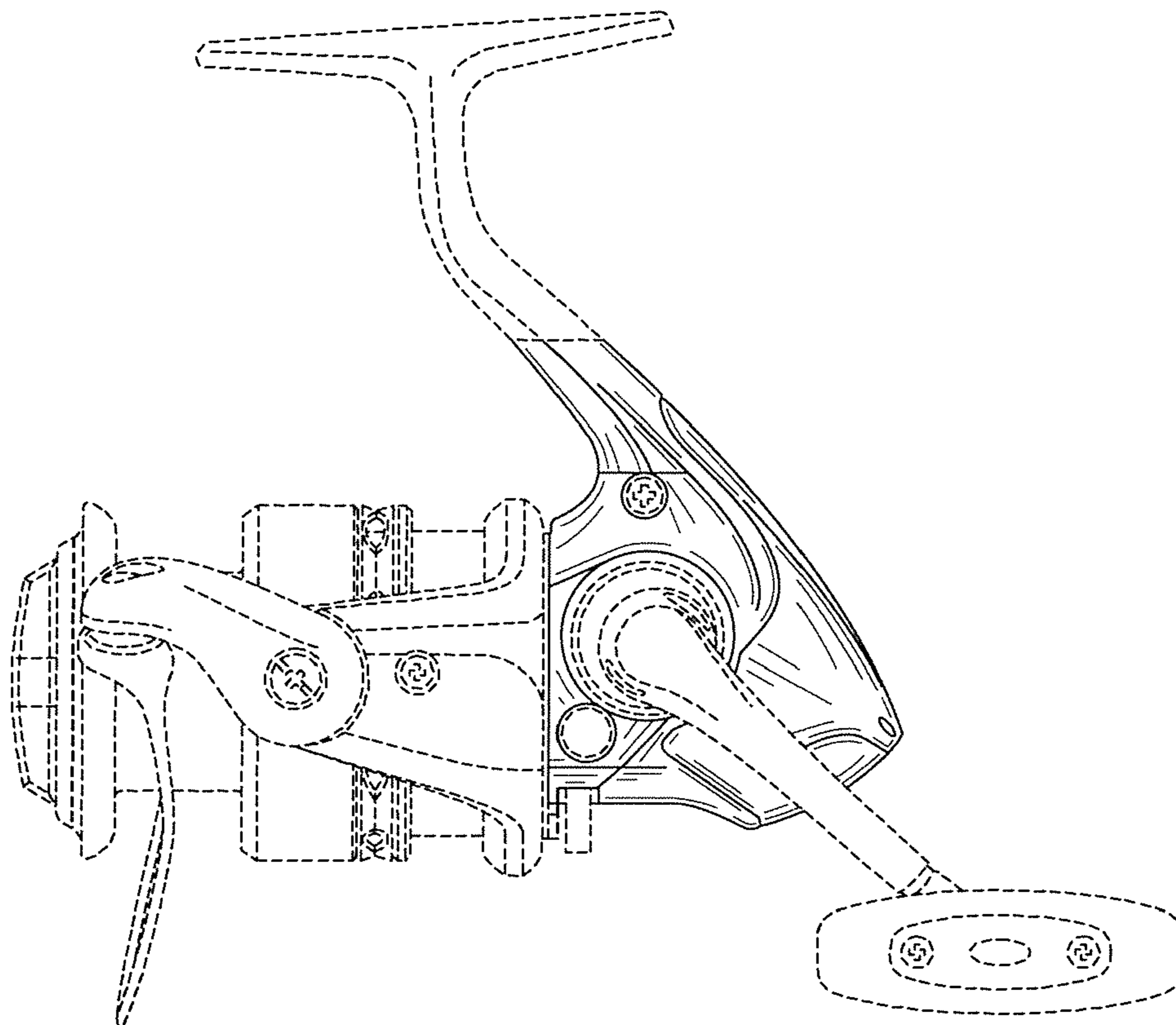


FIG. 16

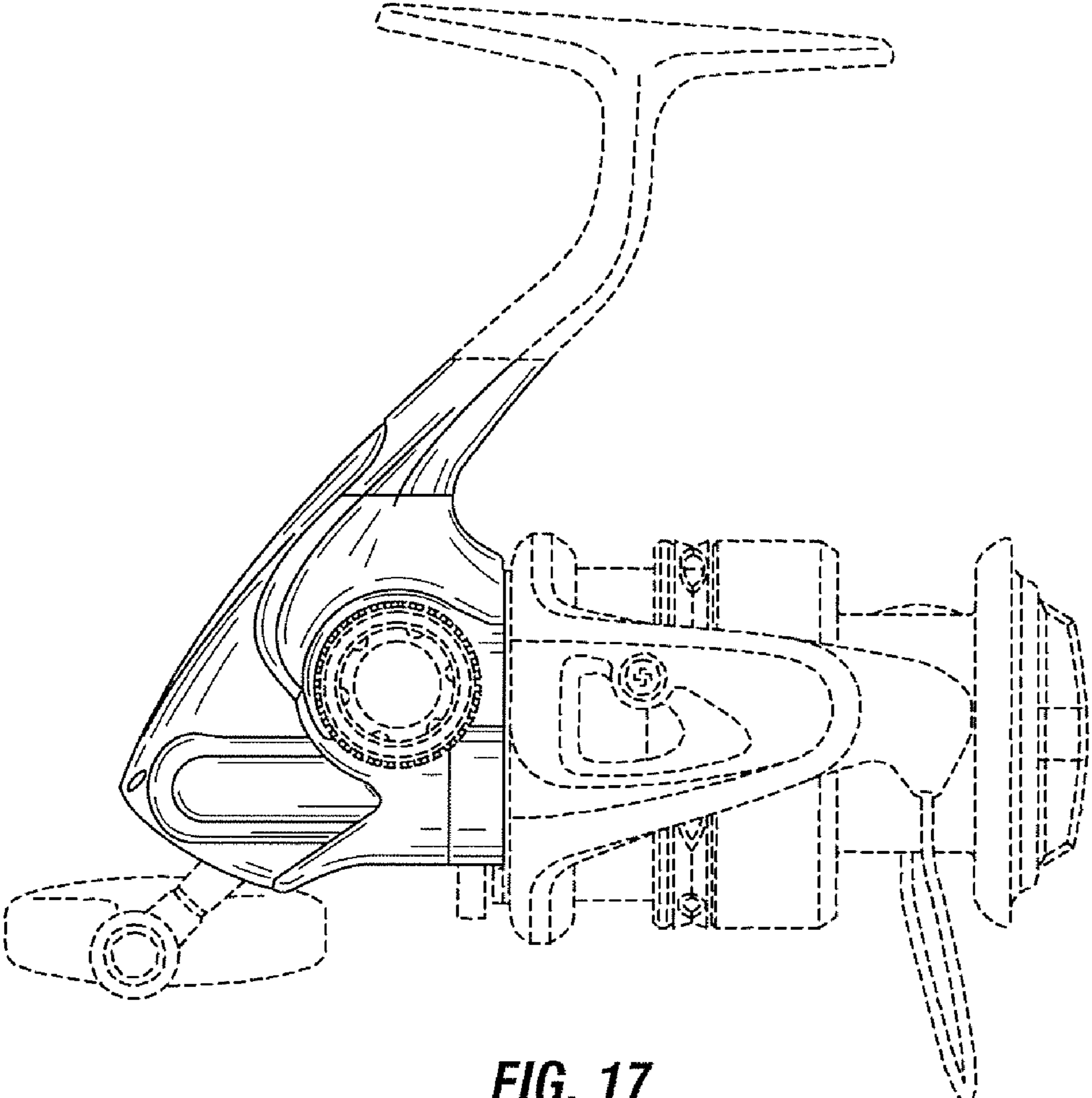


FIG. 17