



US00D650464S

(12) **United States Design Patent**
Świętoslawski

(10) **Patent No.:** **US D650,464 S**

(45) **Date of Patent:** **** Dec. 13, 2011**

(54) **INSECT TRAP**

(75) Inventor: **Tomasz Świętoslawski**, Jaworzno (PL)

(73) Assignee: **ICB Pharma**, Jaworzno (PL)

(**) Term: **14 Years**

(21) Appl. No.: **29/386,501**

(22) Filed: **Mar. 1, 2011**

(30) **Foreign Application Priority Data**

Nov. 18, 2010 (PL) WP. 17472
Jan. 11, 2011 (PL) WP. 17643

(51) **LOC (9) Cl.** **22-06**

(52) **U.S. Cl.** **D22/122**

(58) **Field of Classification Search** D22/119–124;
D7/510–511, 515, 518, 604–608, 619.1, 628;
D9/644–645; 43/107, 109, 112–114, 124,
43/131, 132.1, 121; 428/17, 21–22
See application file for complete search history.

(56) **References Cited**

U.S. PATENT DOCUMENTS

D301,364 S * 5/1989 Hunter D22/122
D418,022 S * 12/1999 Hansen D7/606
D423,296 S * 4/2000 Hansen D7/606
D423,297 S * 4/2000 Hansen D7/606
D424,884 S * 5/2000 Hansen D7/606

D561,865 S * 2/2008 Studer et al. D22/122
D564,061 S * 3/2008 Studer et al. D22/122
D565,145 S * 3/2008 Studer et al. D22/122

* cited by examiner

Primary Examiner — Catheri Oliver

(74) *Attorney, Agent, or Firm* — Matthias Scholl, PC;
Matthias Scholl

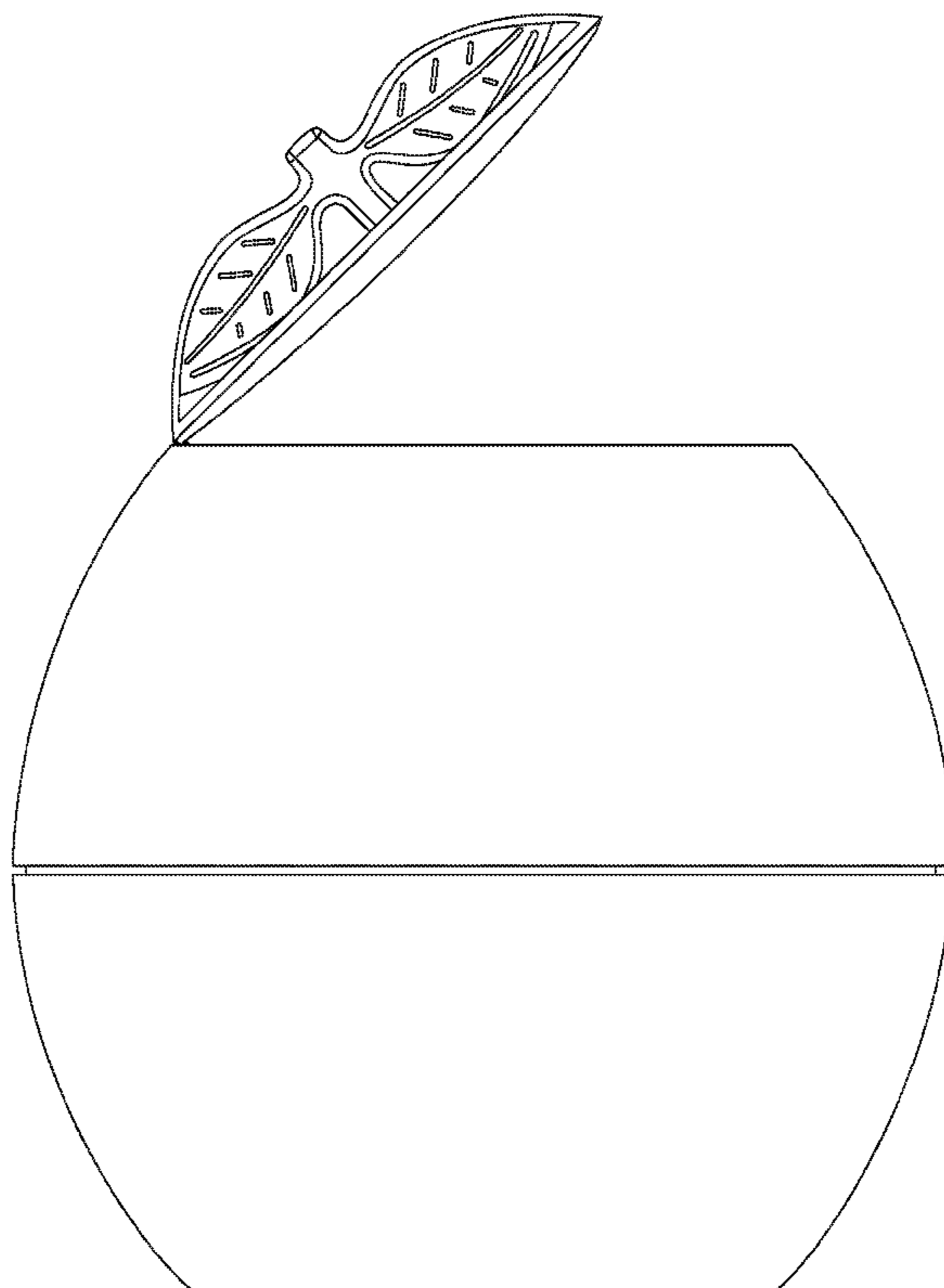
(57) **CLAIM**

The ornamental design for an insect trap, as shown and described.

DESCRIPTION

FIG. 1 is a front elevational view of an insect trap;
FIG. 2 is a left side elevational view thereof;
FIG. 3 is a right side elevational view thereof;
FIG. 4 is a top plan view thereof;
FIG. 5 is a bottom view thereof;
FIG. 6 is a perspective view thereof;
FIG. 7 is a front elevational view of an insect trap with the cover open;
FIG. 8 is a left side elevational view thereof;
FIG. 9 is a right side elevational view thereof;
FIG. 10 is a top plan view thereof;
FIG. 11 is a perspective view thereof;
FIG. 12 is a front elevational view of an insect trap with the cover removed;
FIG. 13 is a top plan view thereof; and,
FIG. 14 is a perspective view thereof.

1 Claim, 14 Drawing Sheets



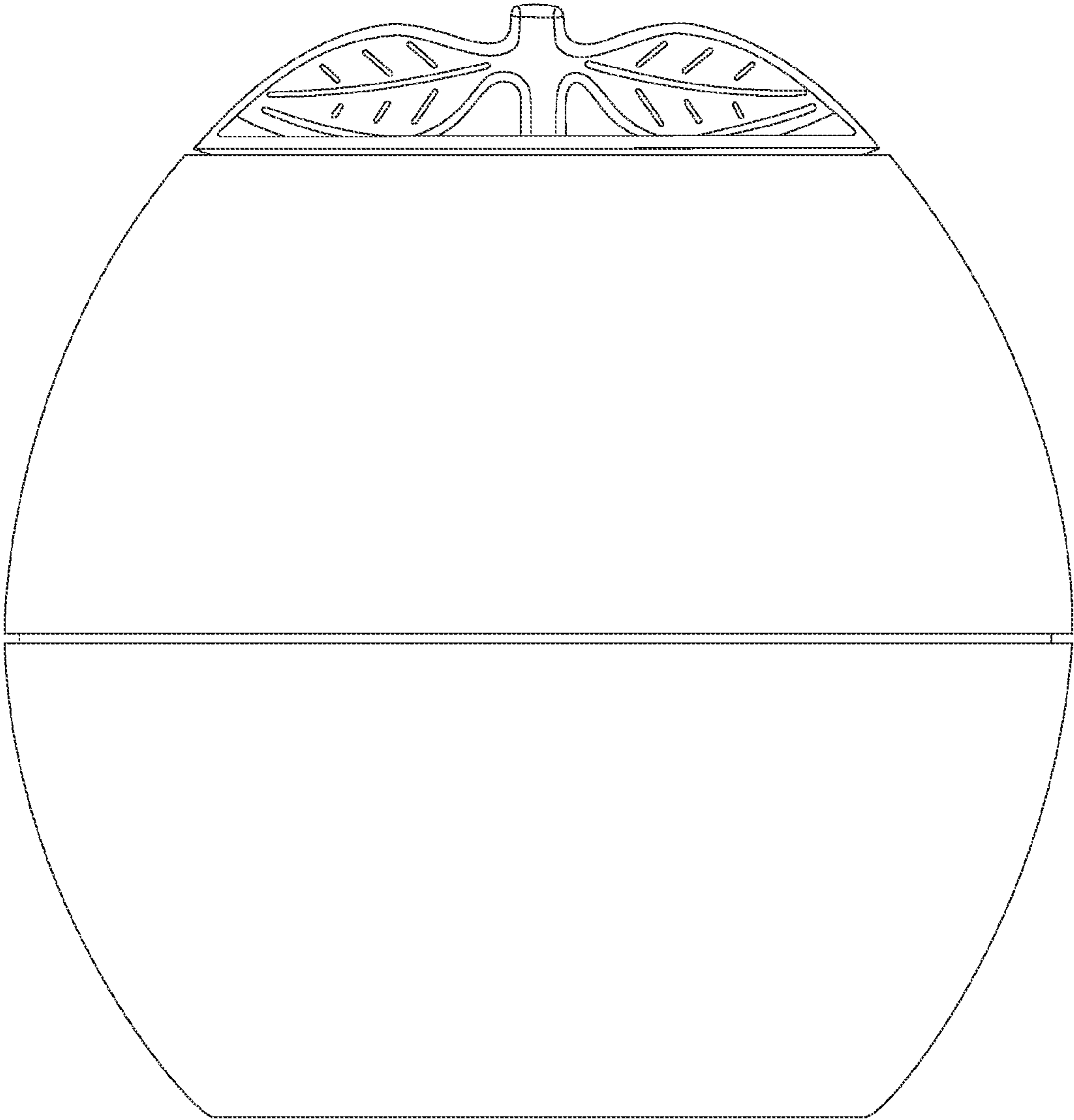


FIG. 1

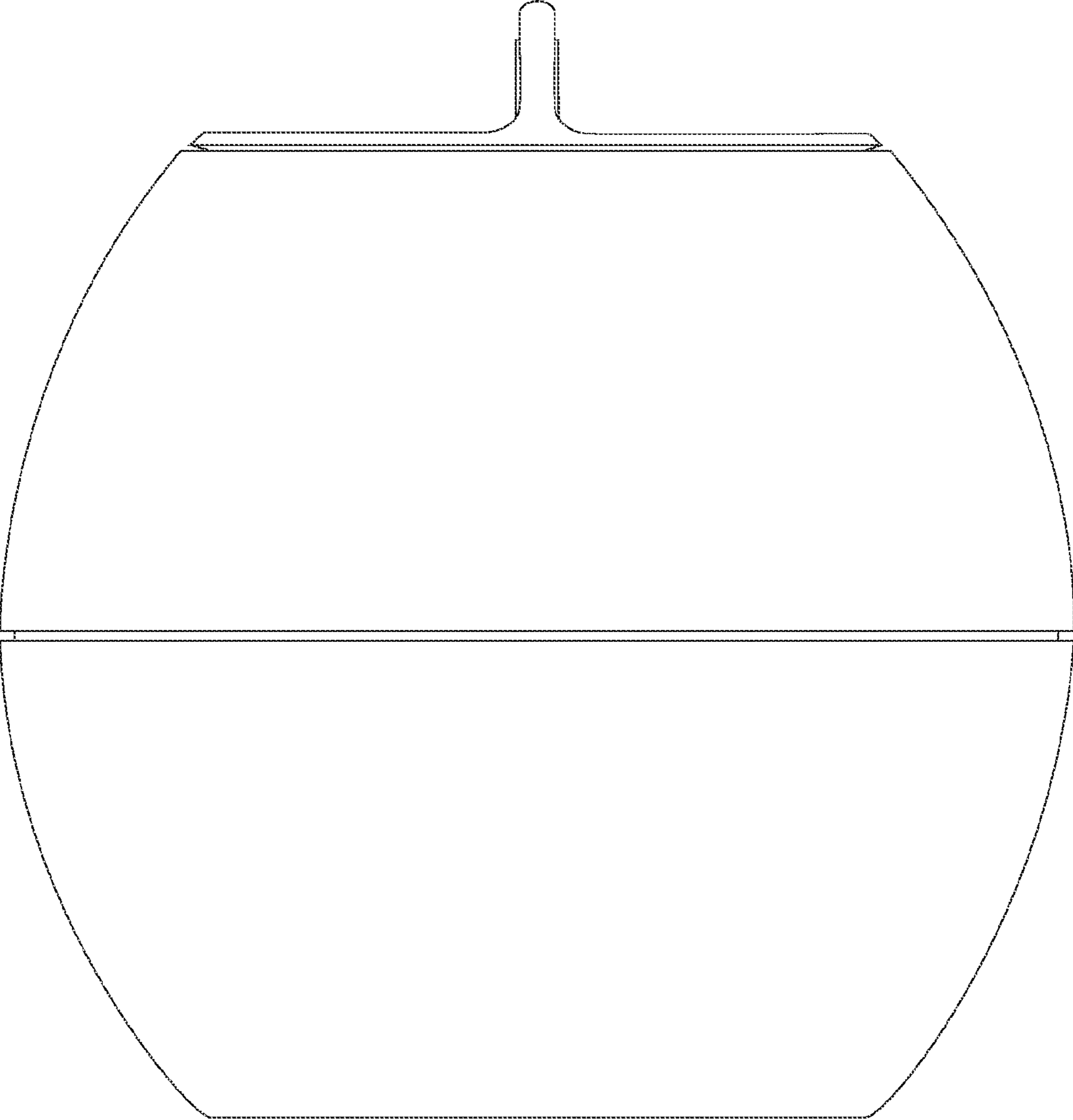


FIG. 2

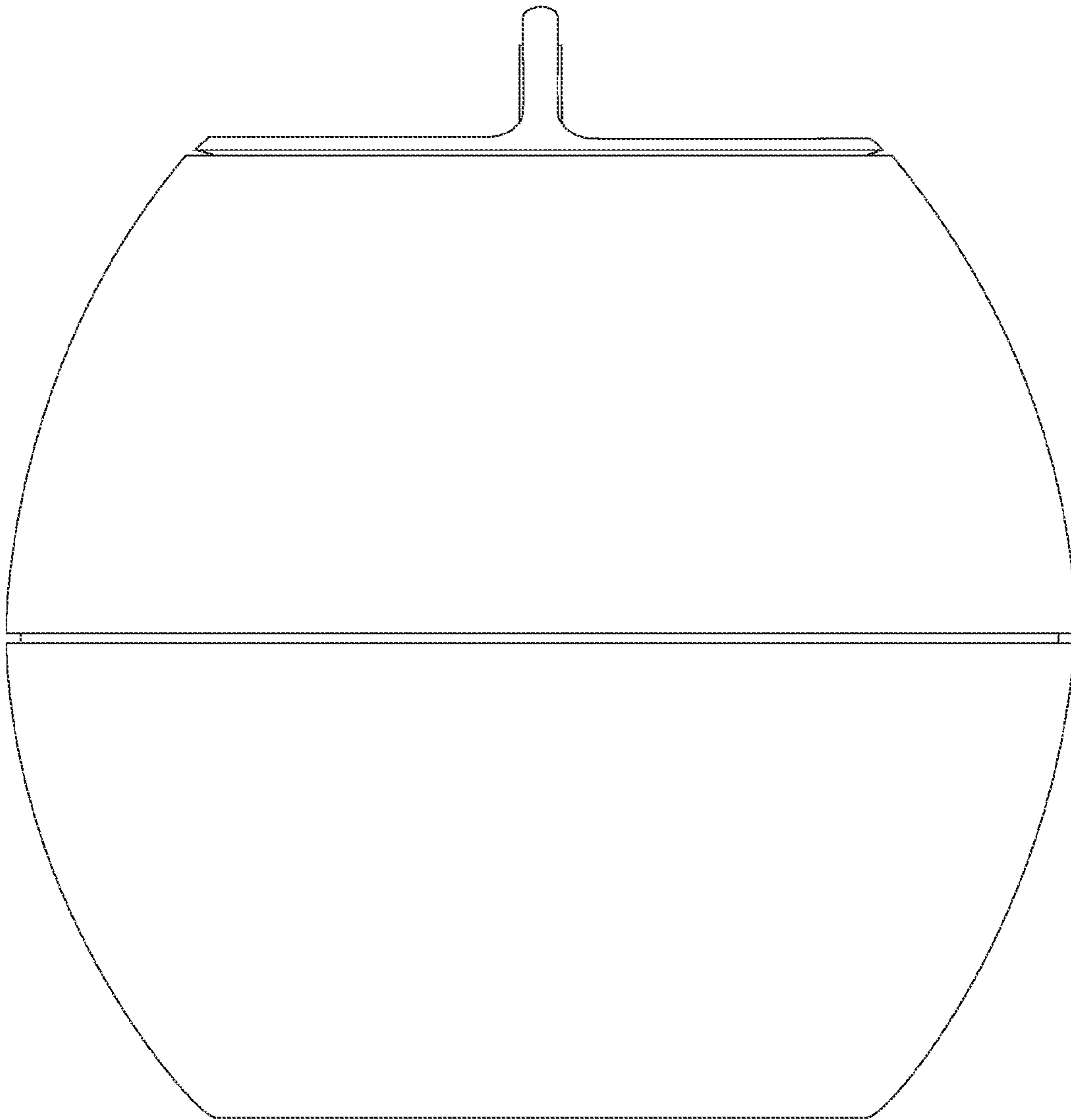


FIG. 3

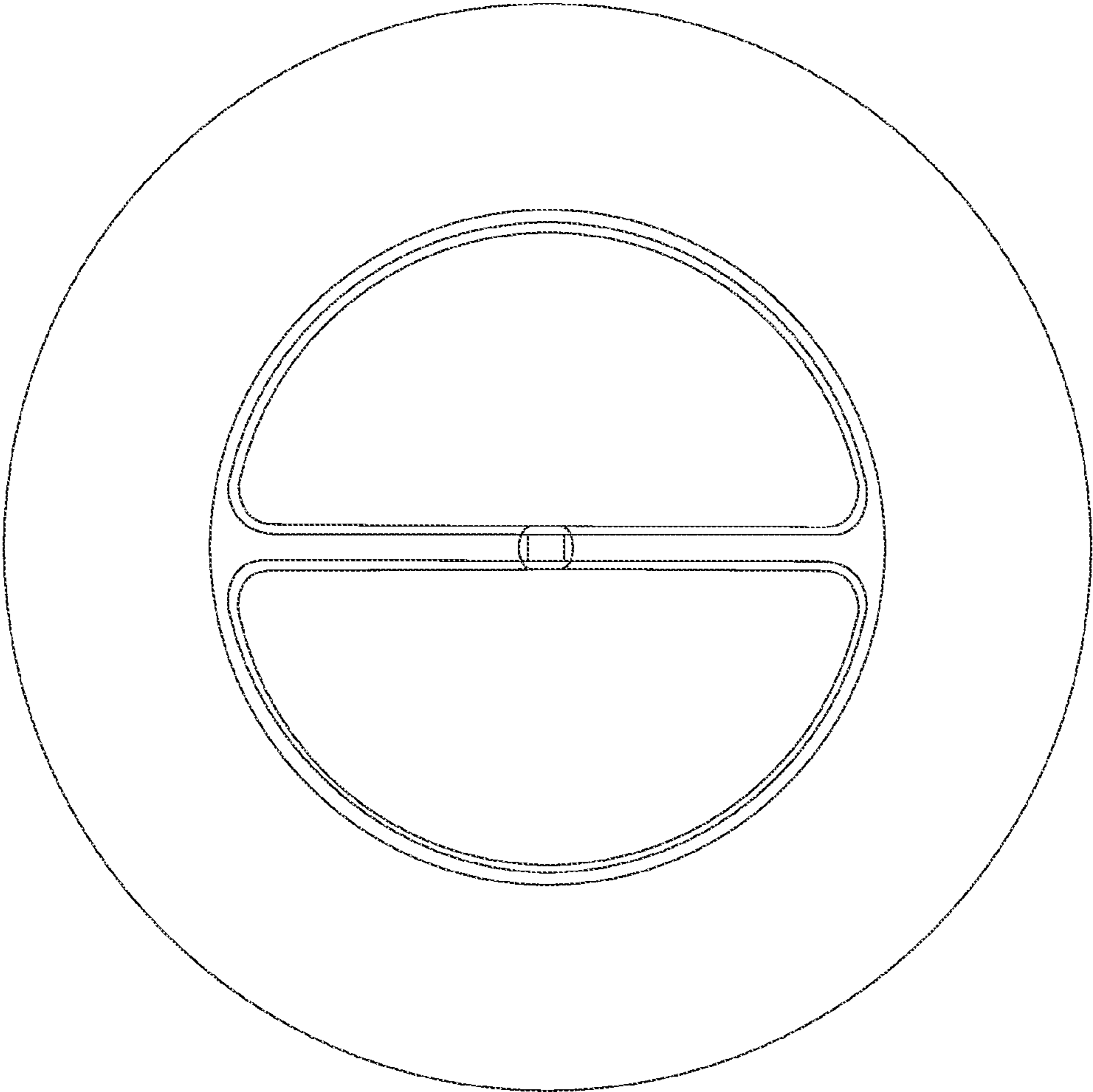


FIG. 4

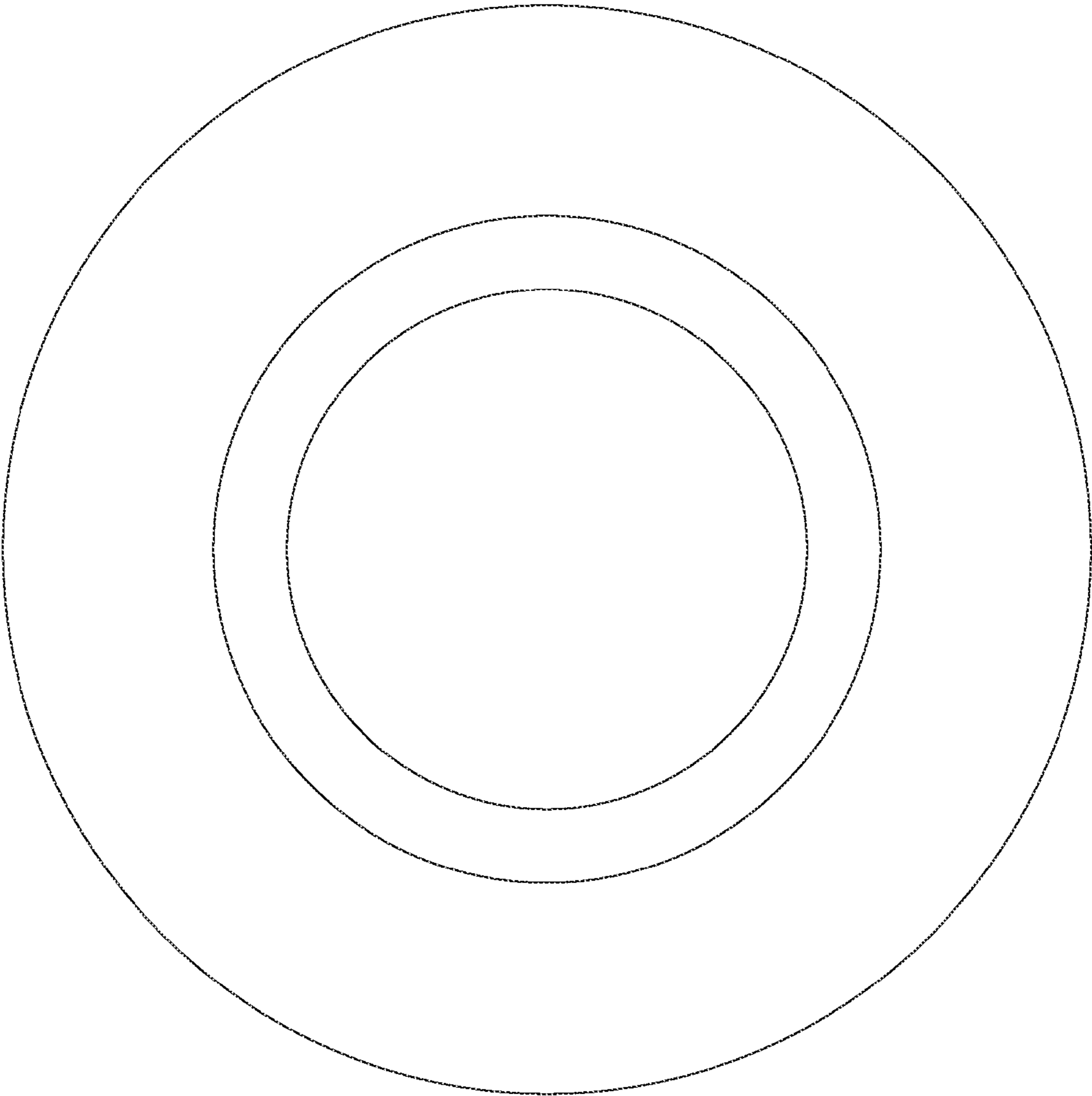


FIG. 5

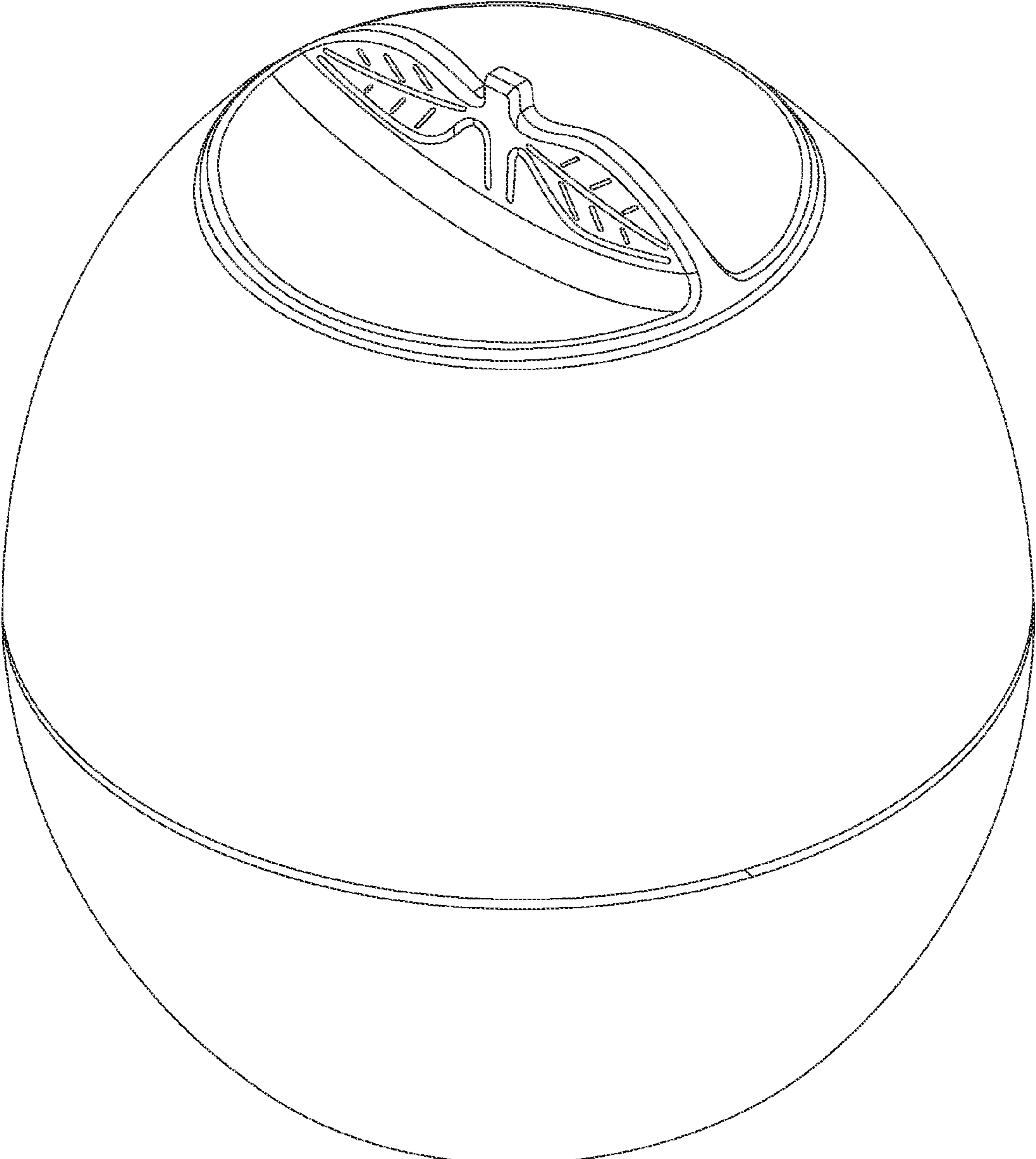


FIG. 6

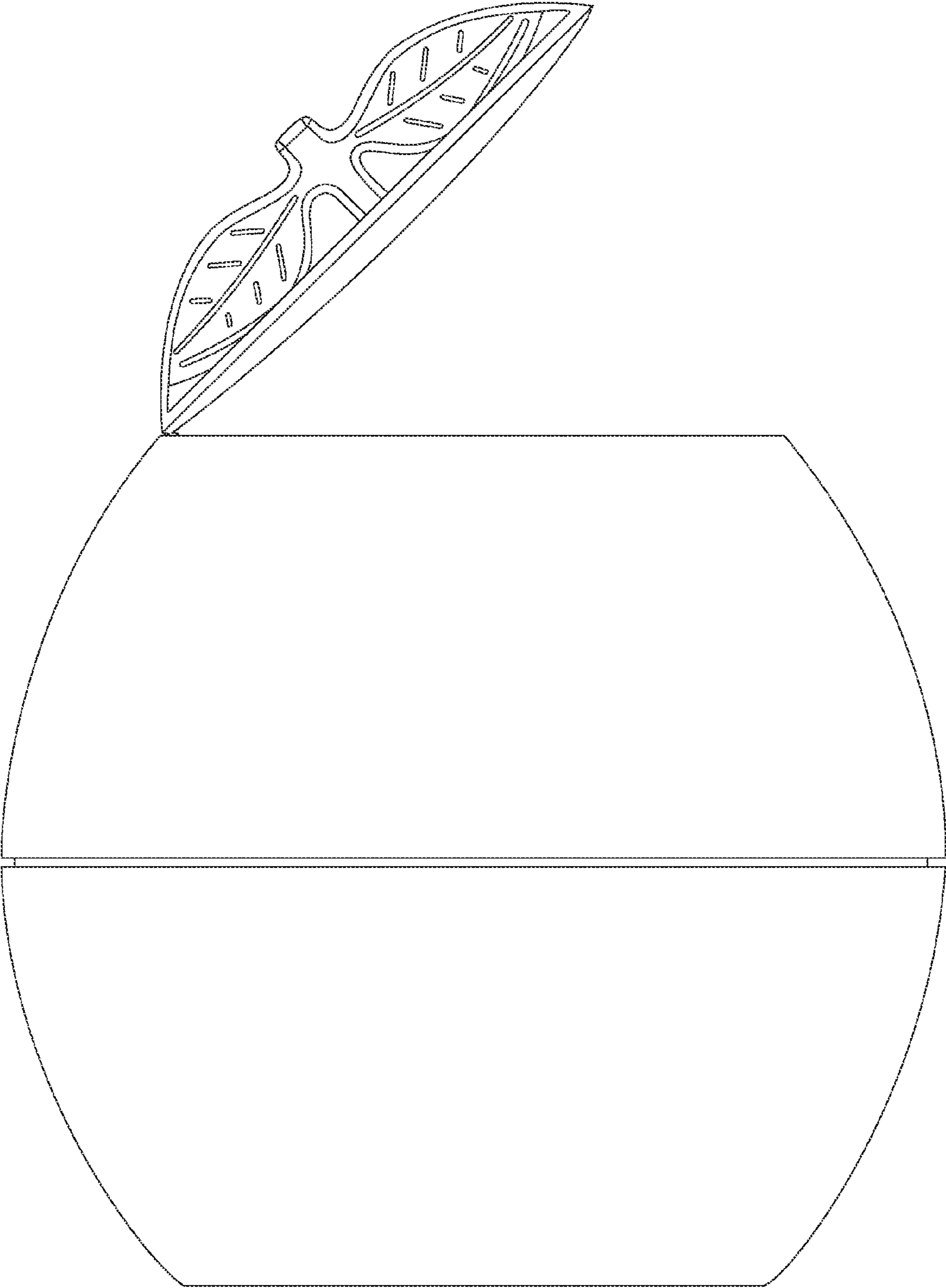


FIG. 7

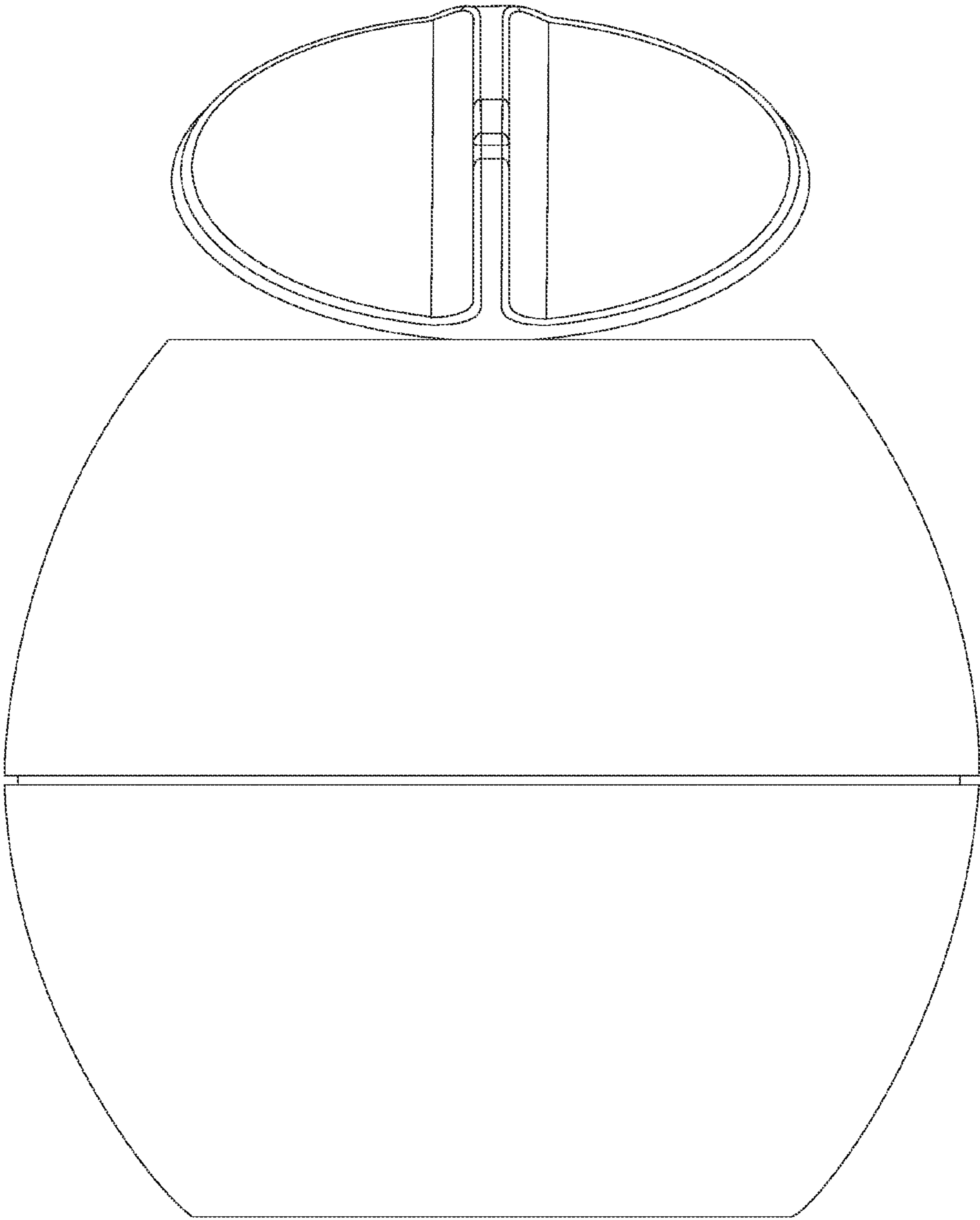


FIG. 8

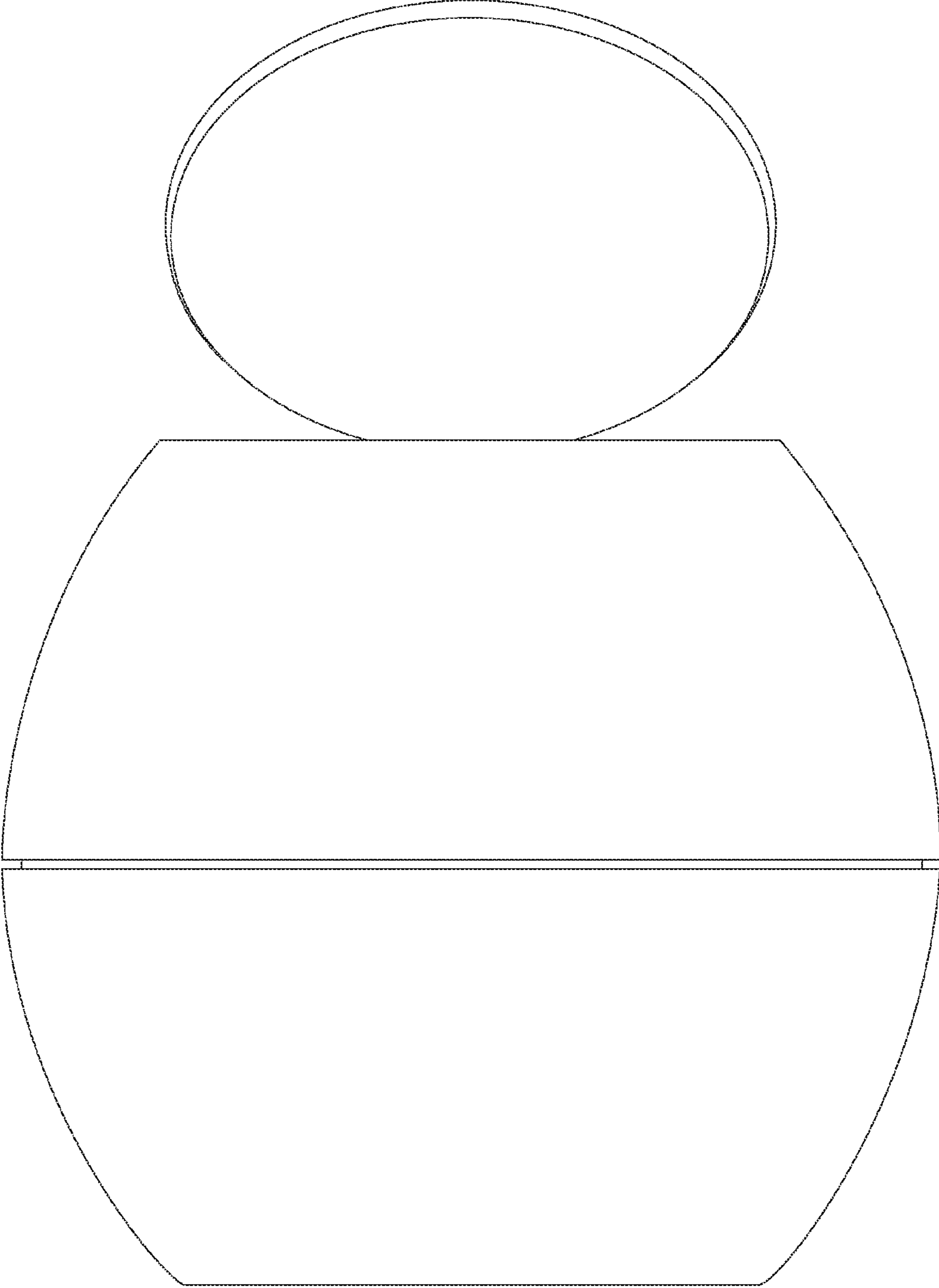


FIG. 9

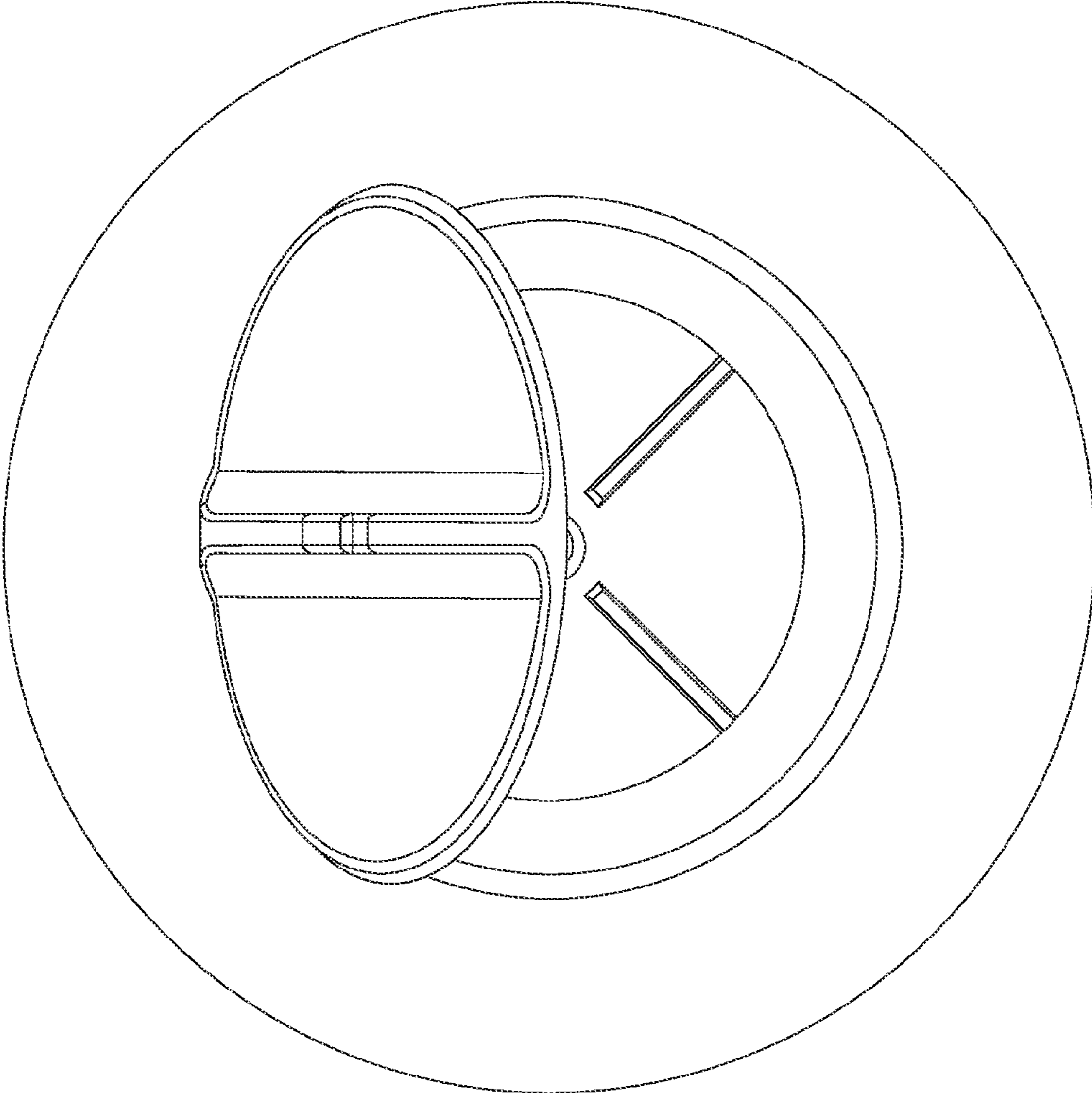


FIG. 10

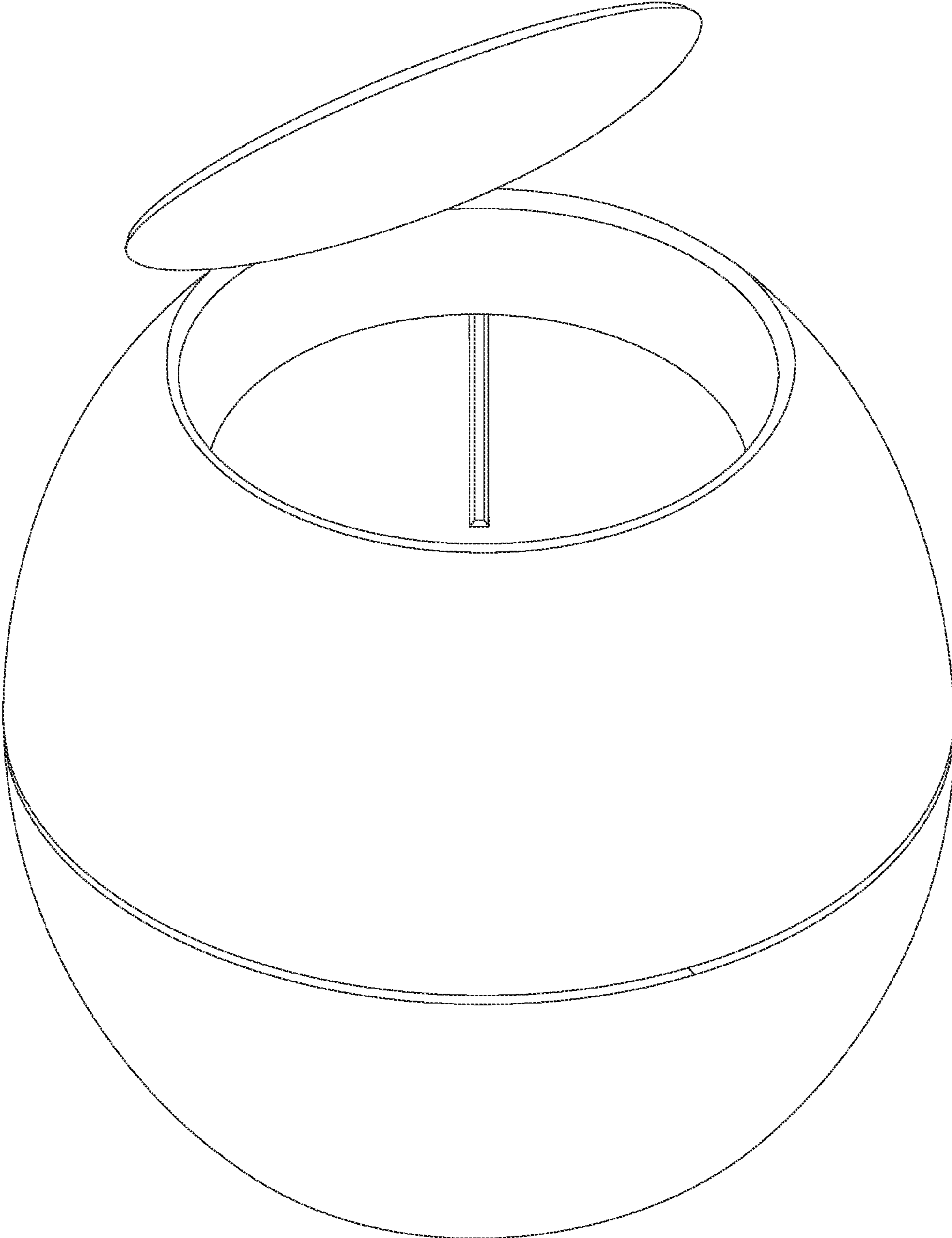


FIG. 11

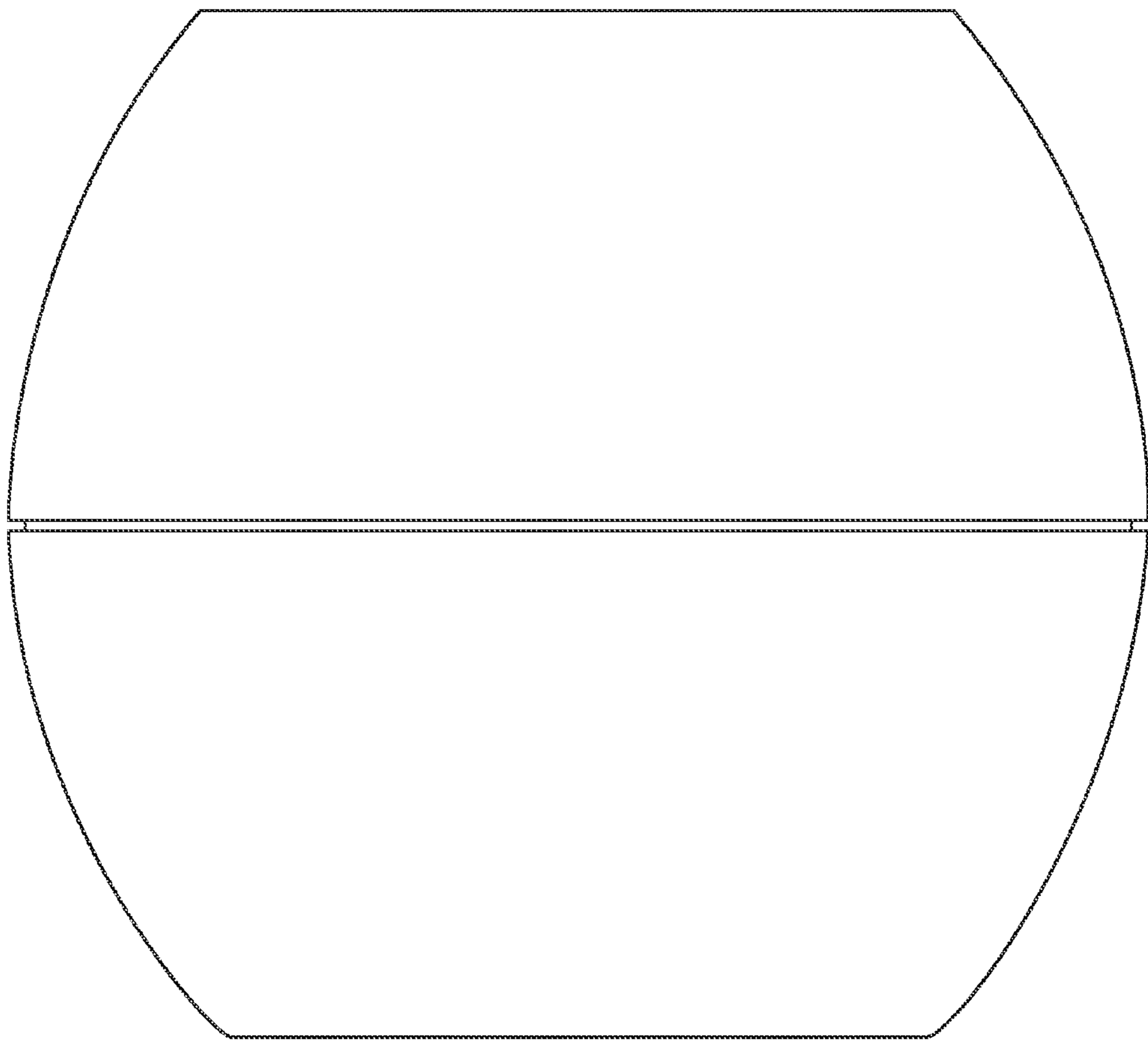


FIG. 12

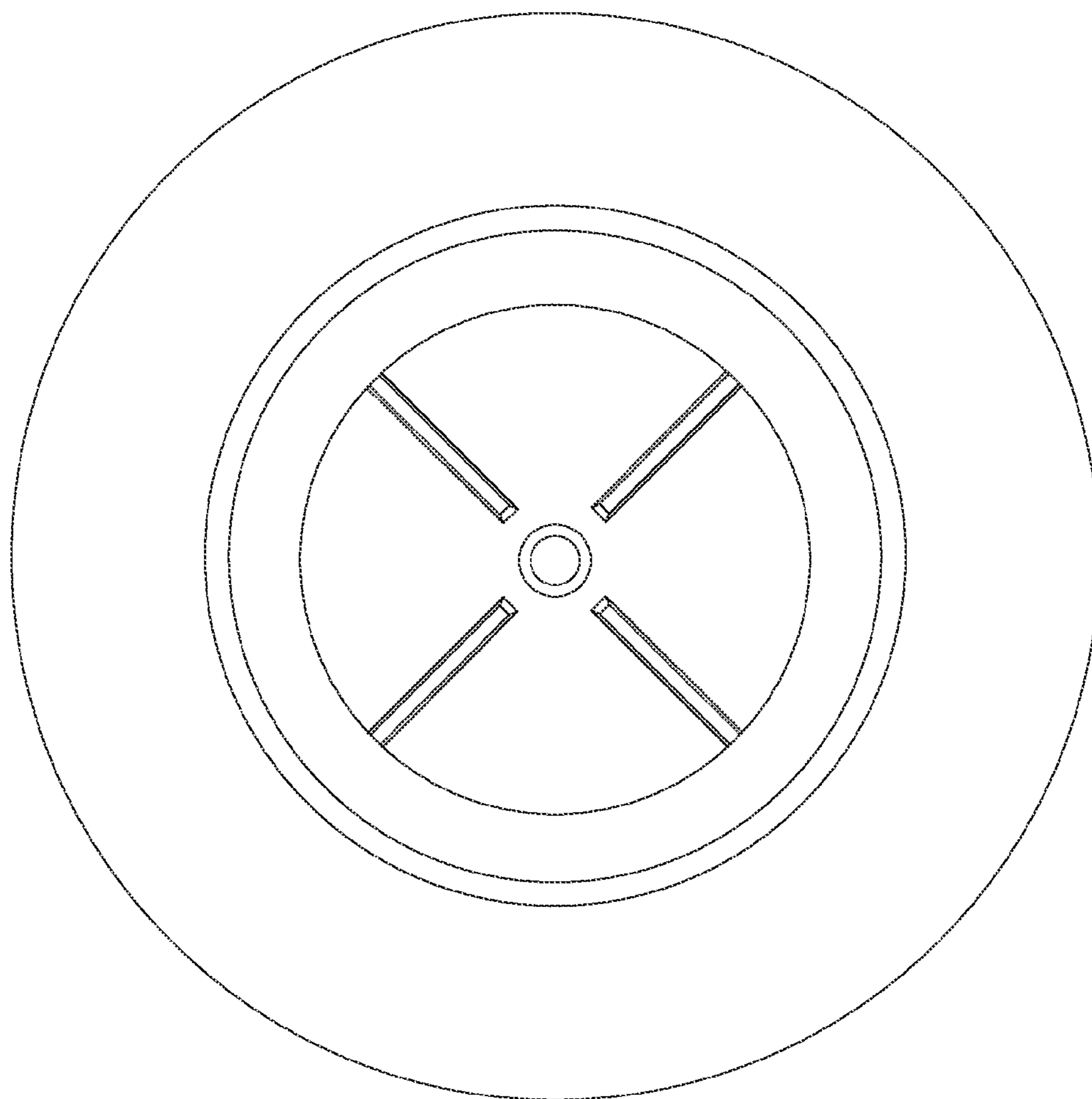


FIG. 13

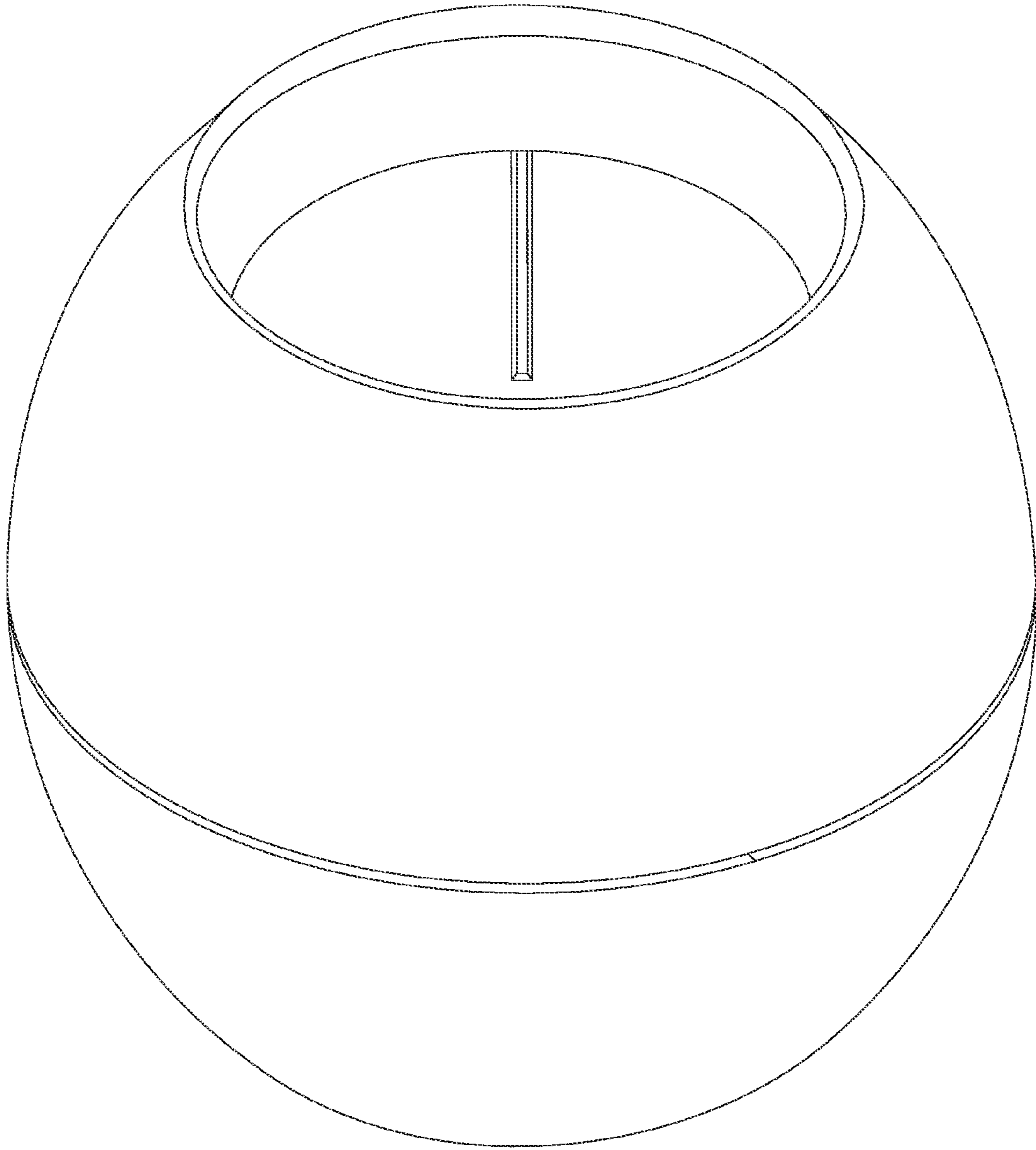


FIG. 14