



US00D650463S

(12) **United States Design Patent**  
**Degirmenci**

(10) **Patent No.:** **US D650,463 S**

(45) **Date of Patent:** **\*\* Dec. 13, 2011**

(54) **WATER PARK**

(75) Inventor: **Uğur Degirmenci**, Gebze/Kocaeli (TR)

(73) Assignee: **Polin Su Parklari Ve Havuz Sistemleri Anonim Sirketi**, Gebze/Kocaeli (TR)

(\*\*) Term: **14 Years**

(21) Appl. No.: **29/379,117**

(22) Filed: **Nov. 15, 2010**

(30) **Foreign Application Priority Data**

May 18, 2010 (TR) ..... 2010 02847

(51) **LOC (9) Cl.** ..... **21-03**

(52) **U.S. Cl.** ..... **D21/819**

(58) **Field of Classification Search** ..... D21/811,  
D21/814, 818-822; 472/116-117, 128, 88-89  
See application file for complete search history.

(56) **References Cited**

**U.S. PATENT DOCUMENTS**

872,253	A *	11/1907	Riehl	.....	472/89
D210,298	S *	2/1968	Moulton	.....	D21/814
D238,694	S *	2/1976	Jamison	.....	D21/821
4,145,042	A *	3/1979	Becker et al.	.....	472/117
4,149,710	A *	4/1979	Rouchard	.....	472/88

4,196,900	A *	4/1980	Becker et al.	.....	472/117
4,198,043	A *	4/1980	Timbes et al.	.....	472/117
D256,827	S *	9/1980	Allen, III	.....	D21/819
D256,828	S *	9/1980	Allen, III	.....	D21/819
D256,940	S *	9/1980	Allen, III	.....	D21/819
D266,346	S *	9/1982	Millay et al.	.....	D21/819
D269,104	S *	5/1983	Brown	.....	D21/819
D269,105	S *	5/1983	Brown	.....	D21/819
D269,106	S *	5/1983	Brown	.....	D21/819
D269,107	S *	5/1983	Brown	.....	D21/819
4,394,173	A *	7/1983	Aste	.....	472/116
5,820,471	A *	10/1998	Briggs	.....	472/128
D619,186	S *	7/2010	Strall	.....	D21/818
7,775,850	B2 *	8/2010	Todokoro	.....	D21/819
D629,861	S *	12/2010	Cuttell et al.	.....	D21/821

\* cited by examiner

*Primary Examiner* — Mitchell Siegel

(74) *Attorney, Agent, or Firm* — Egbert Law Offices PLLC

(57) **CLAIM**

The ornamental design for the water park, as shown and described.

**DESCRIPTION**

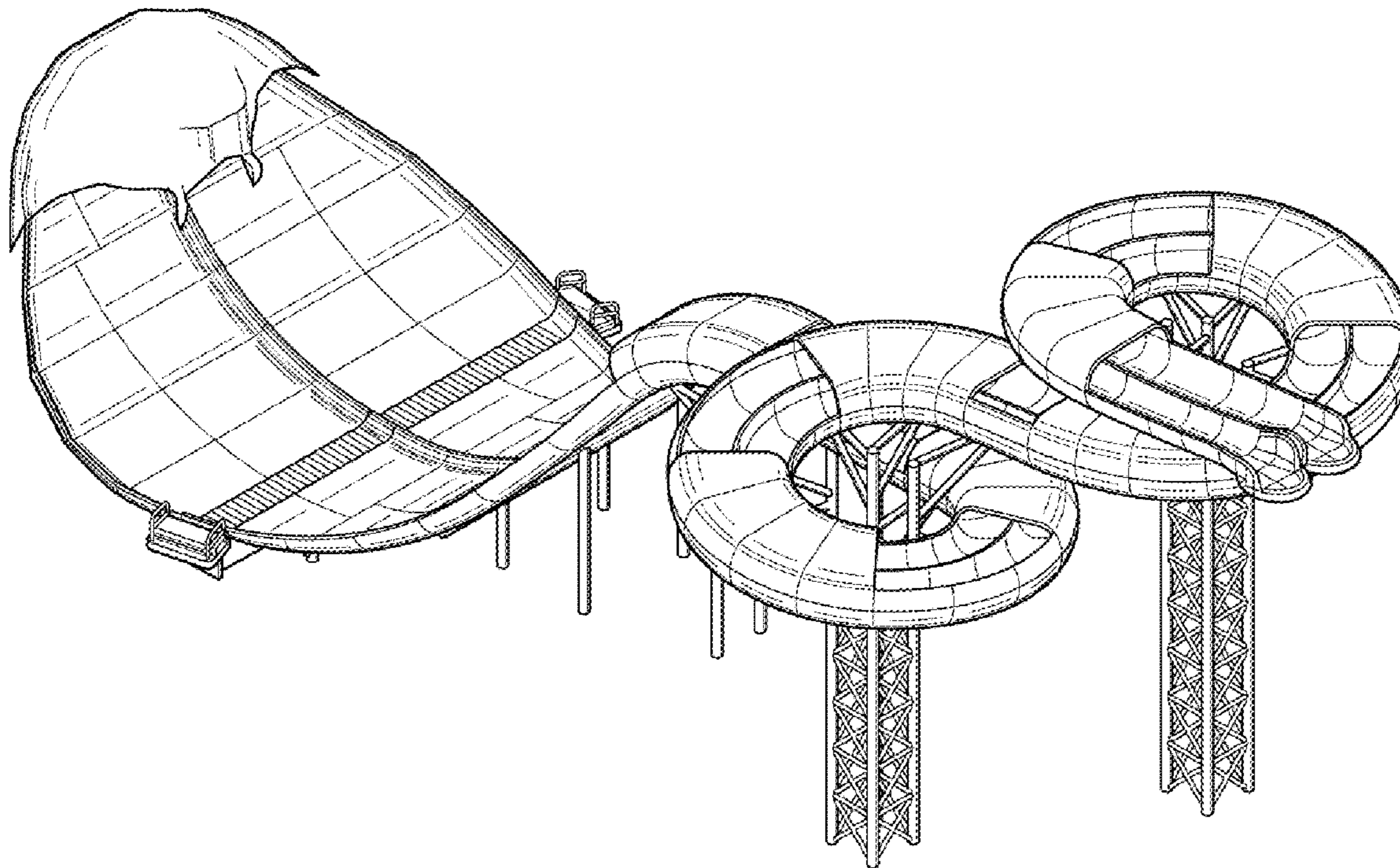
FIG. 1 is a front upper perspective view of the water park showing my new design.

FIG. 2 is a side elevational view thereof;

FIG. 3 is a back upper perspective view thereof; and,

FIG. 4 is a top plan view thereof.

**1 Claim, 4 Drawing Sheets**



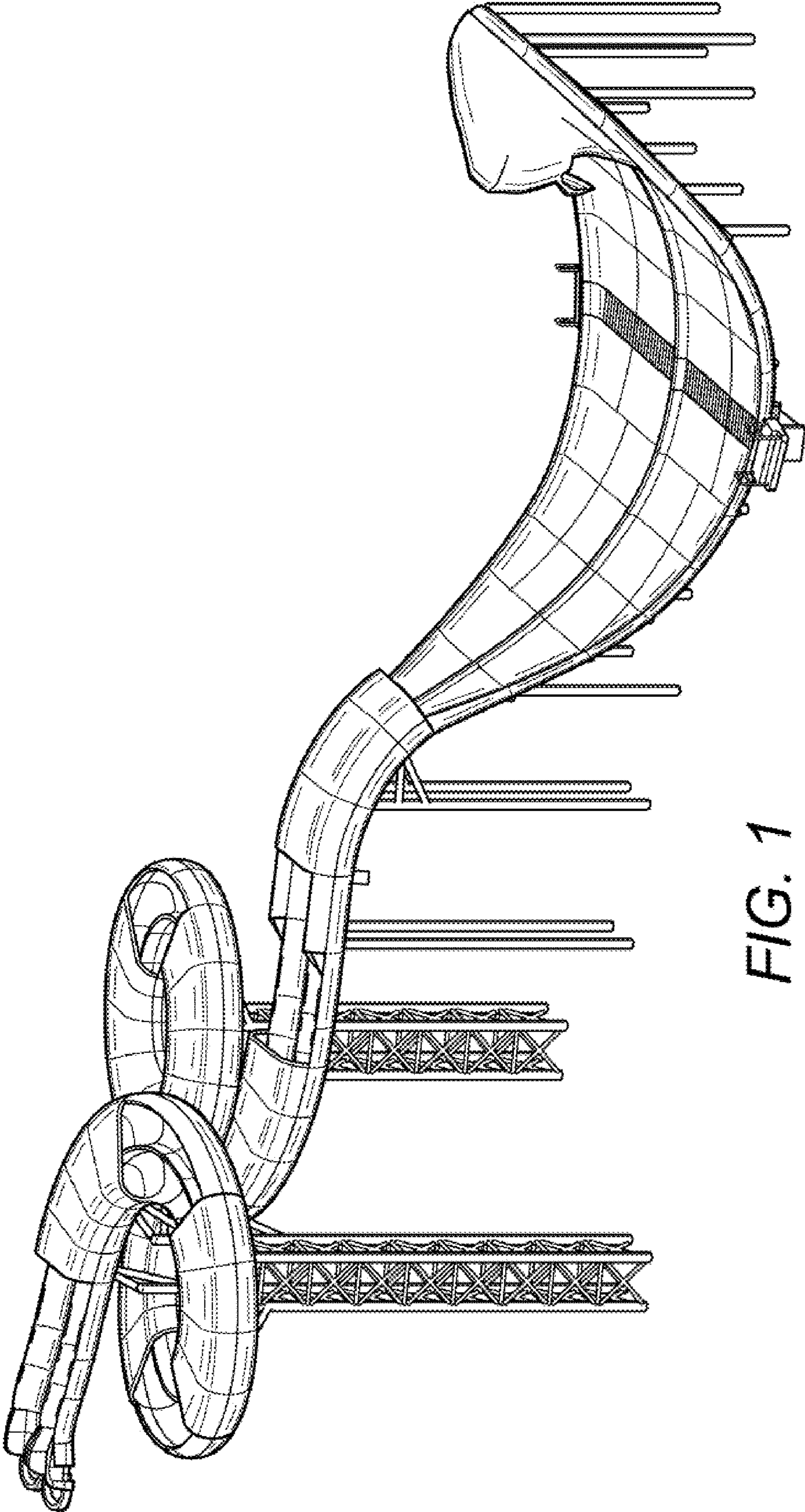


FIG. 1

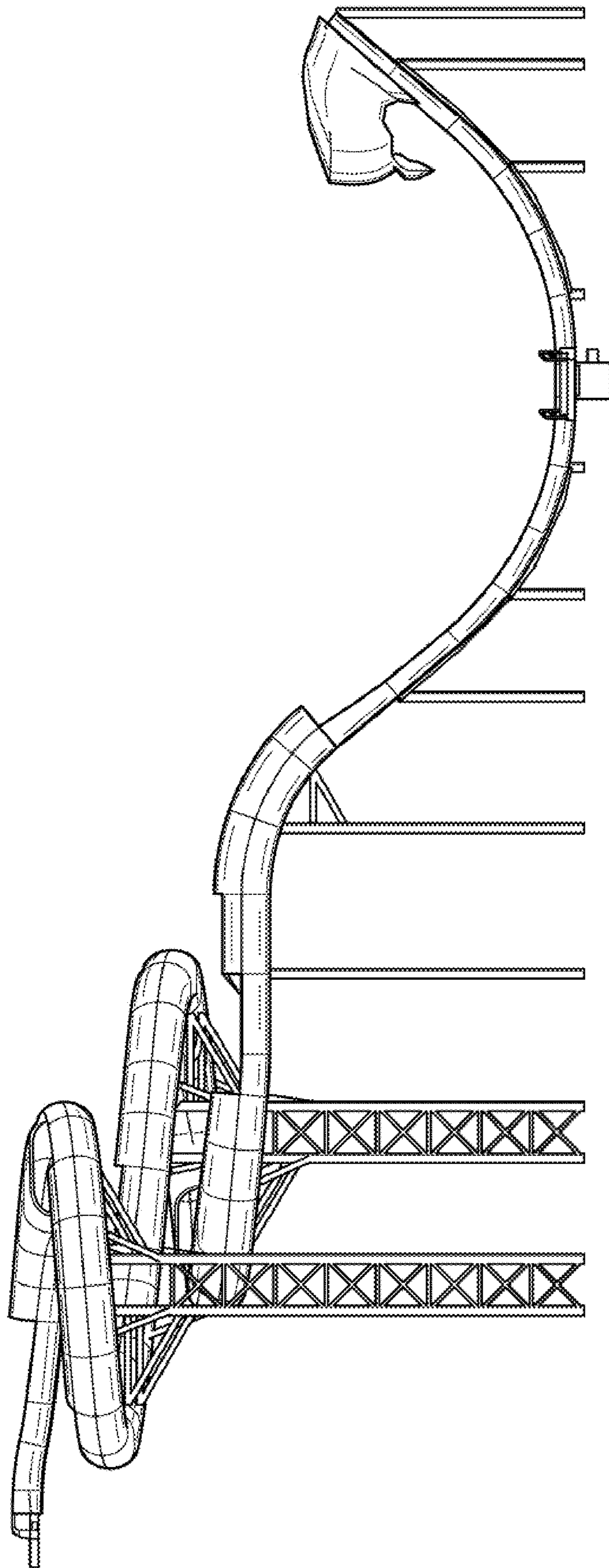


FIG. 2

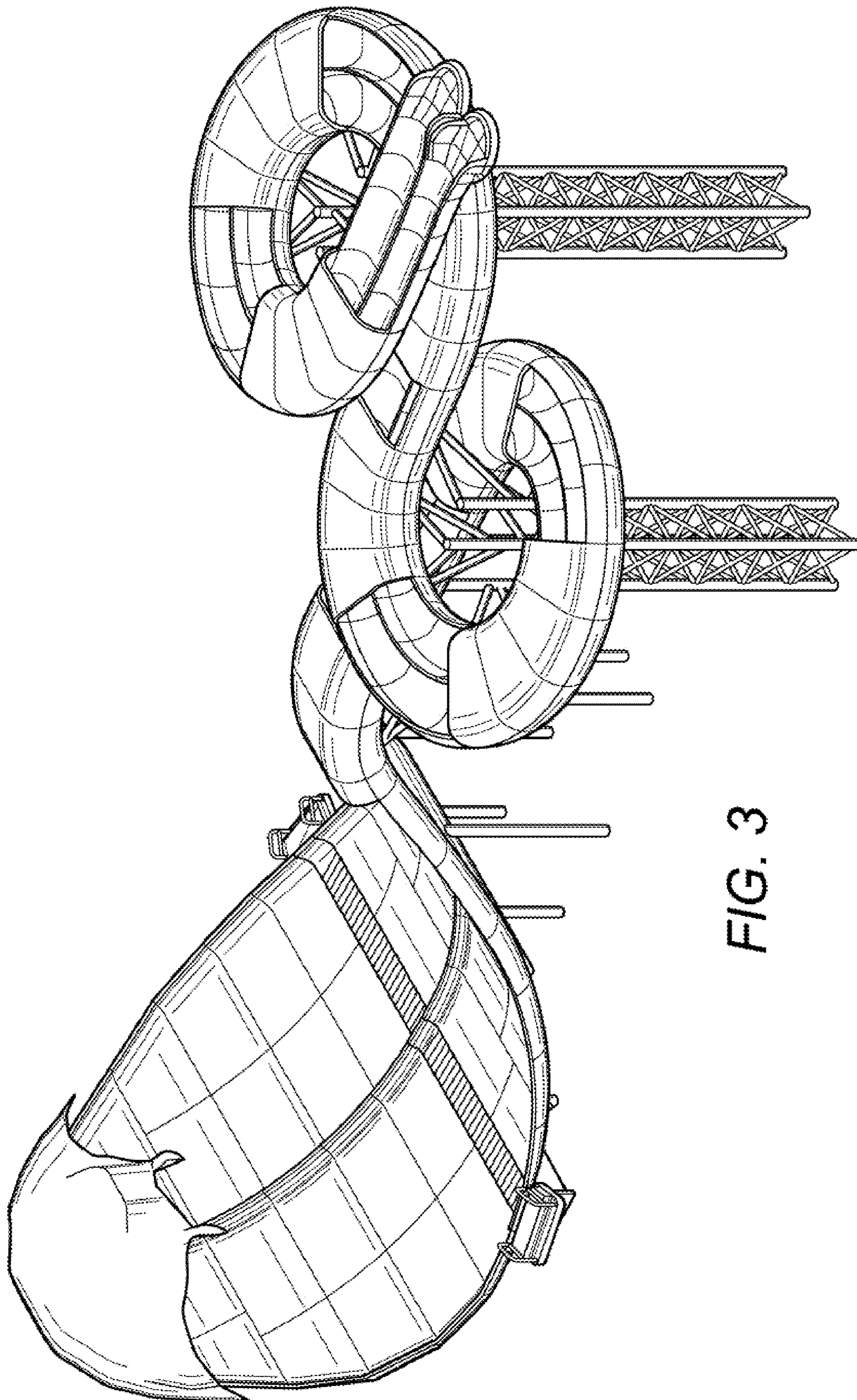


FIG. 3

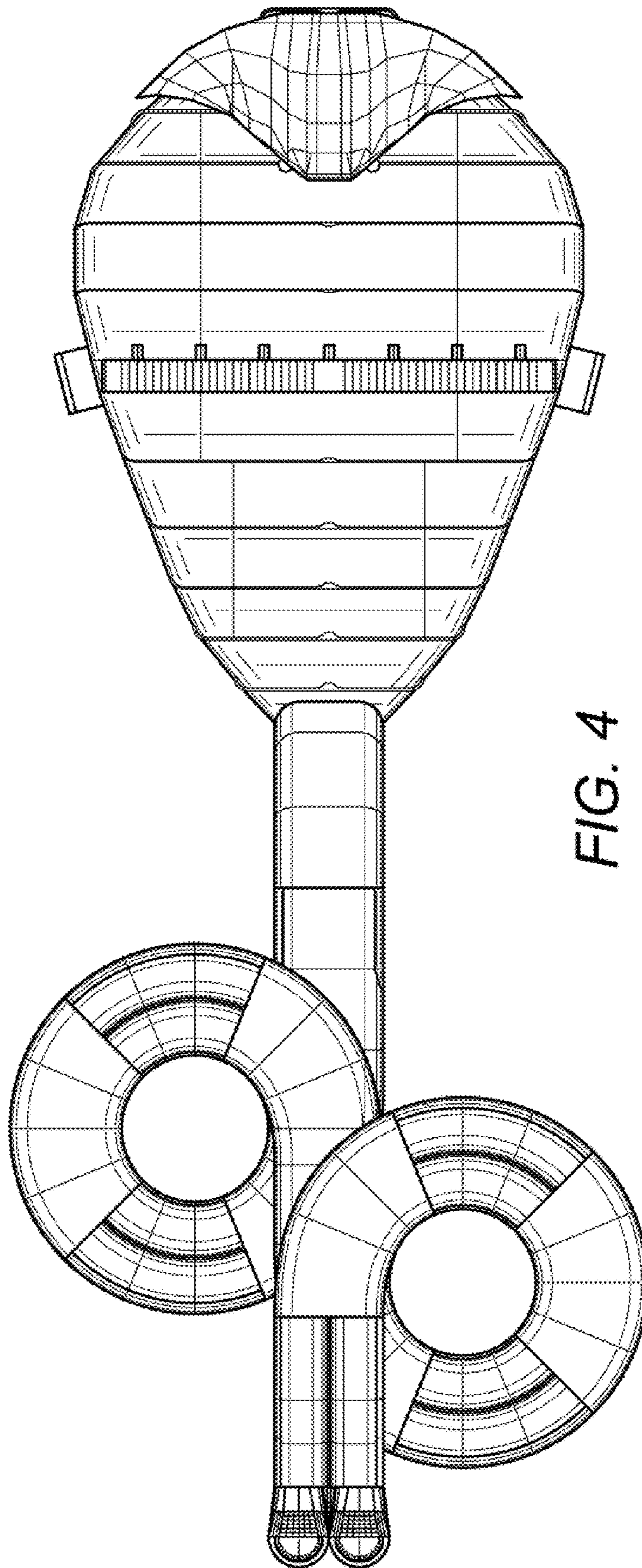


FIG. 4