



US00D650462S

(12) **United States Design Patent**  
**Parten**

(10) **Patent No.:** **US D650,462 S**

(45) **Date of Patent:** **\*\* Dec. 13, 2011**

(54) **TOWED INFLATABLE DEVICE**

(76) Inventor: **Keith Parten**, Fort Worth, TX (US)

(\*\*) Term: **14 Years**

(21) Appl. No.: **29/396,057**

(22) Filed: **Jun. 24, 2011**

(51) **LOC (9) Cl.** ..... **21-06**

(52) **U.S. Cl.** ..... **D21/803**

(58) **Field of Classification Search** ..... D21/769-770,  
D21/801, 803, 809; 114/253, 345-346; 441/35,  
441/66, 40-42, 129-132; 472/128-129;  
D12/5, 6, 316

See application file for complete search history.

(56) **References Cited**

**U.S. PATENT DOCUMENTS**

D427,656 S \* 7/2000 Peterson ..... D21/803  
D429,787 S \* 8/2000 Peterson ..... D21/803  
D435,619 S \* 12/2000 Peterson ..... D21/803

D446,568 S \* 8/2001 Peterson ..... D21/803  
D632,354 S \* 2/2011 Perry ..... D21/803  
D634,384 S \* 3/2011 Song et al. .... D21/769

\* cited by examiner

*Primary Examiner* — Zenia Bennett

(74) *Attorney, Agent, or Firm* — Eric Karich

(57) **CLAIM**

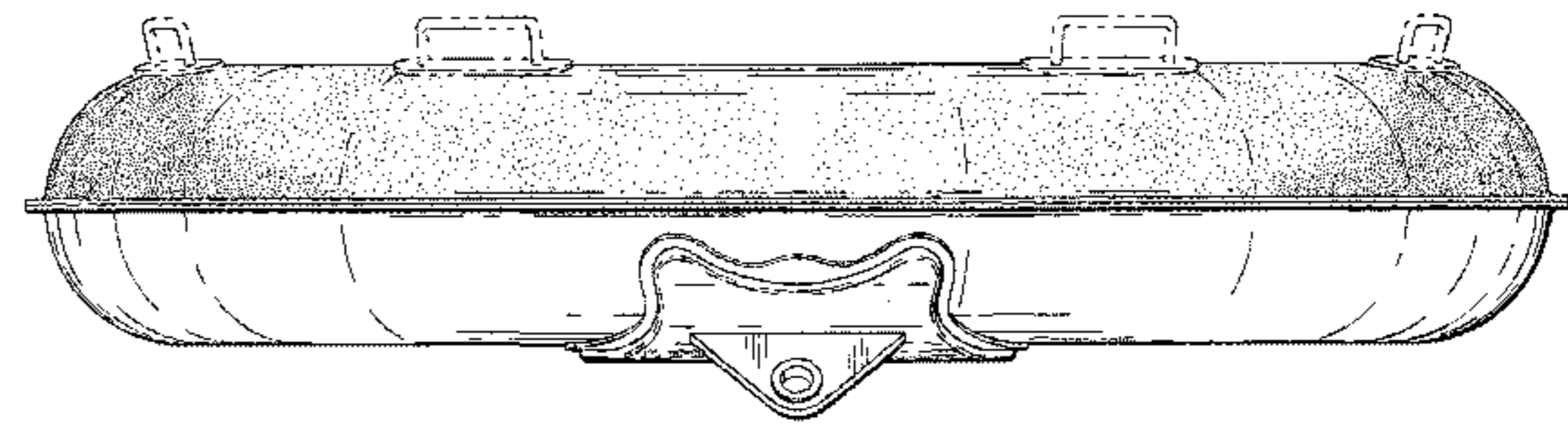
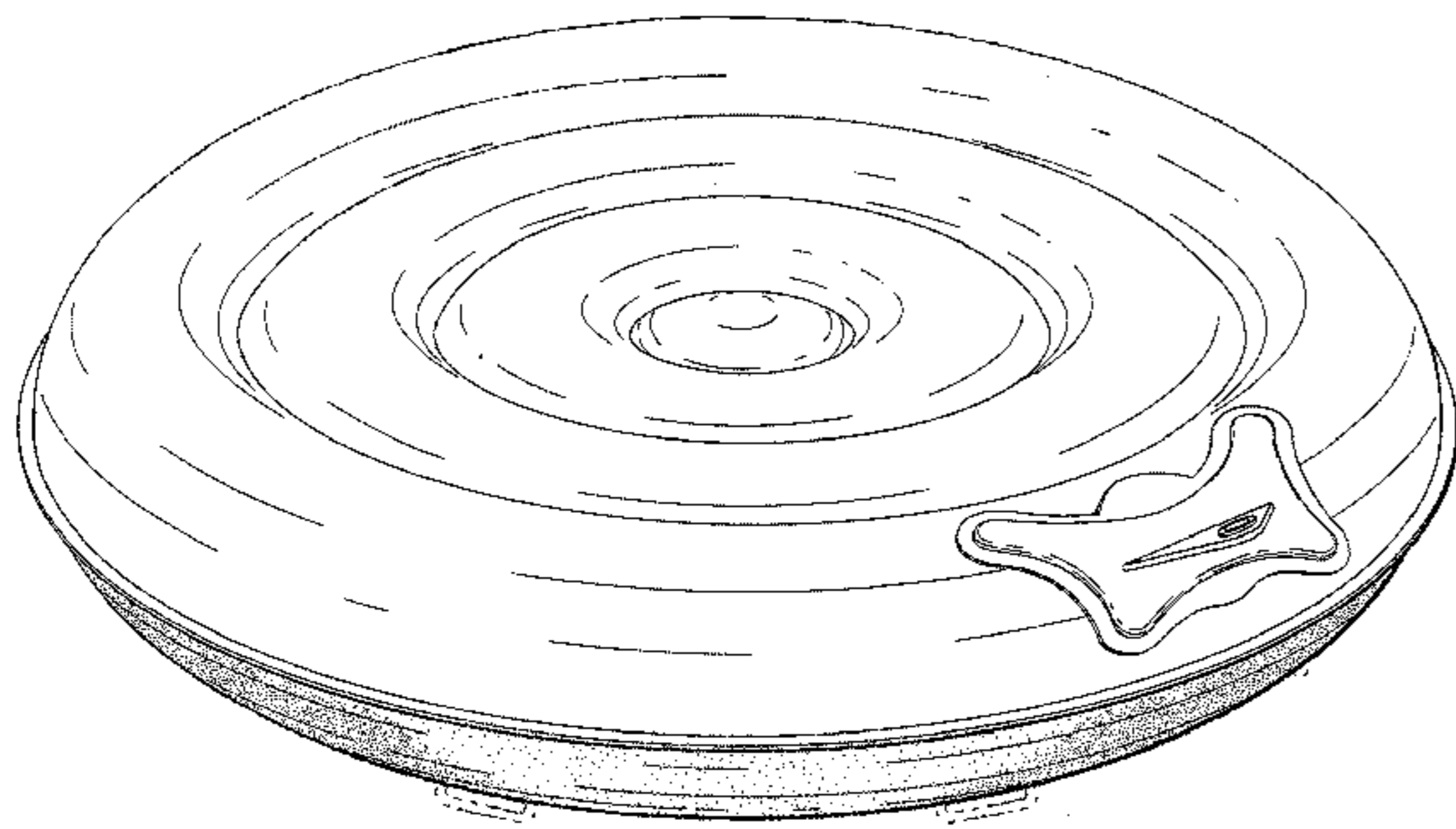
The ornamental design for a “towed inflatable device,” as shown and described.

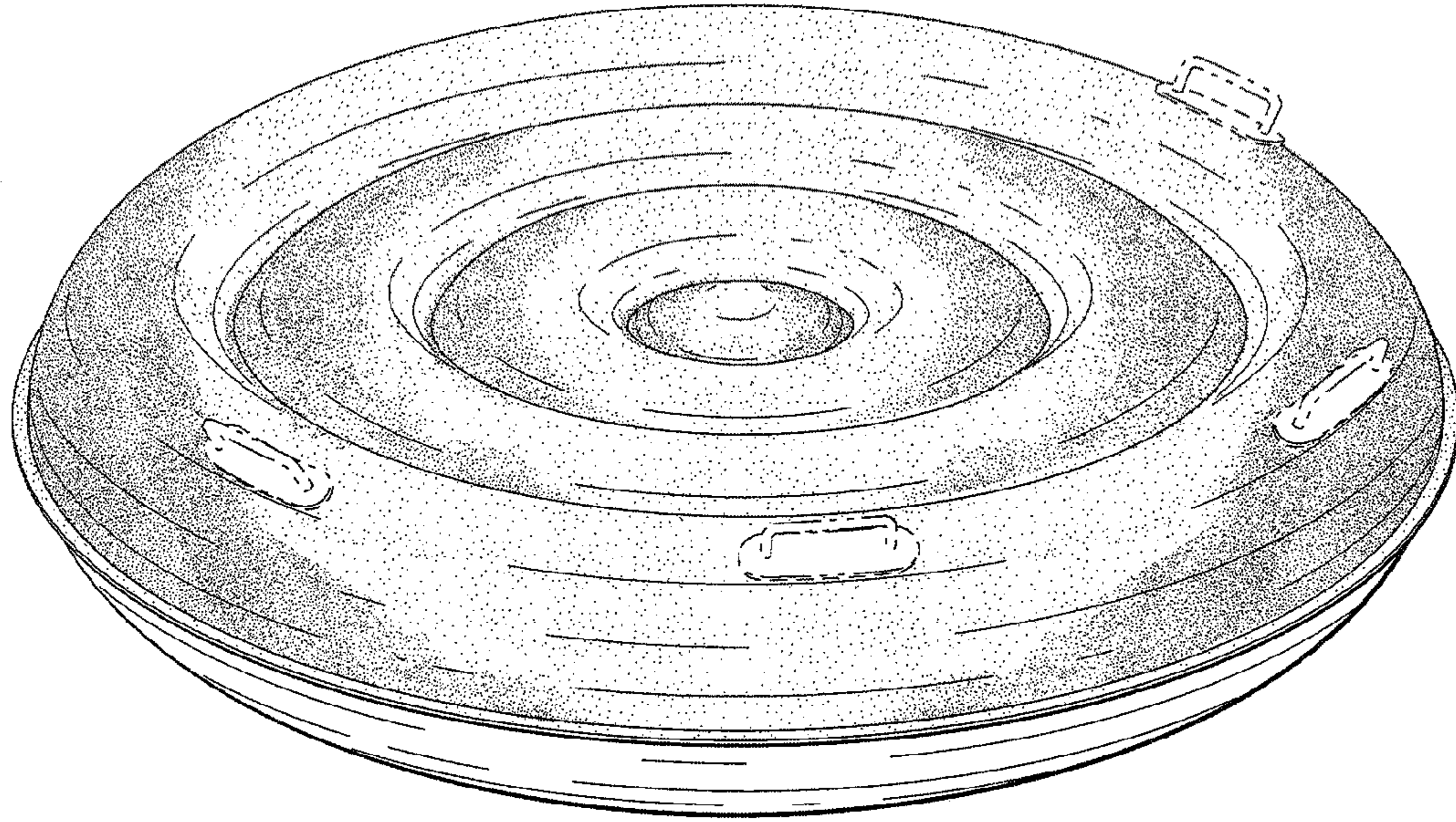
**DESCRIPTION**

FIG. 1 is a top perspective view of a towed inflatable device, showing my design;  
FIG. 2 is a bottom perspective view thereof;  
FIG. 3 is a front elevational view thereof;  
FIG. 4 is a rear elevational view thereof;  
FIG. 5 is a left side elevational view thereof  
FIG. 6 is a right side elevational view thereof;  
FIG. 7 is a top plan view thereof; and,  
FIG. 8 is a bottom plan view thereof.

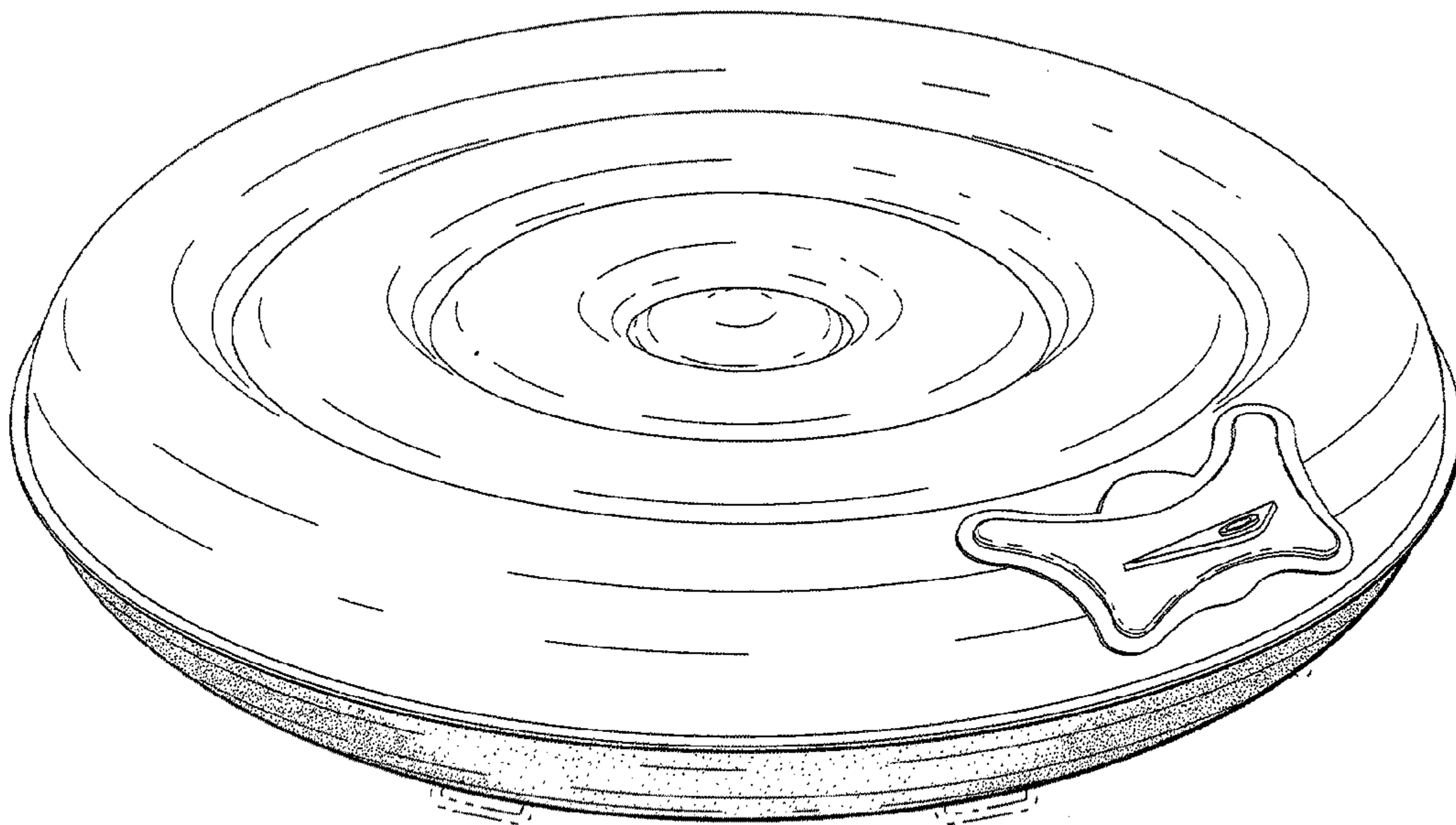
The broken line showing of a handles are for illustrative purposes only and form no part of the claimed design

**1 Claim, 4 Drawing Sheets**

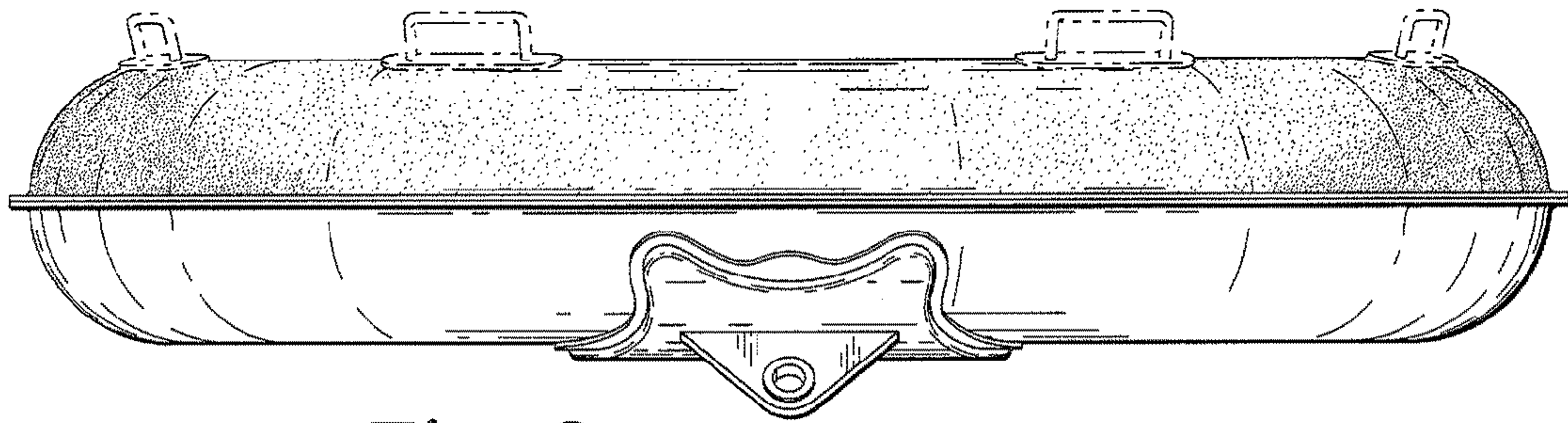




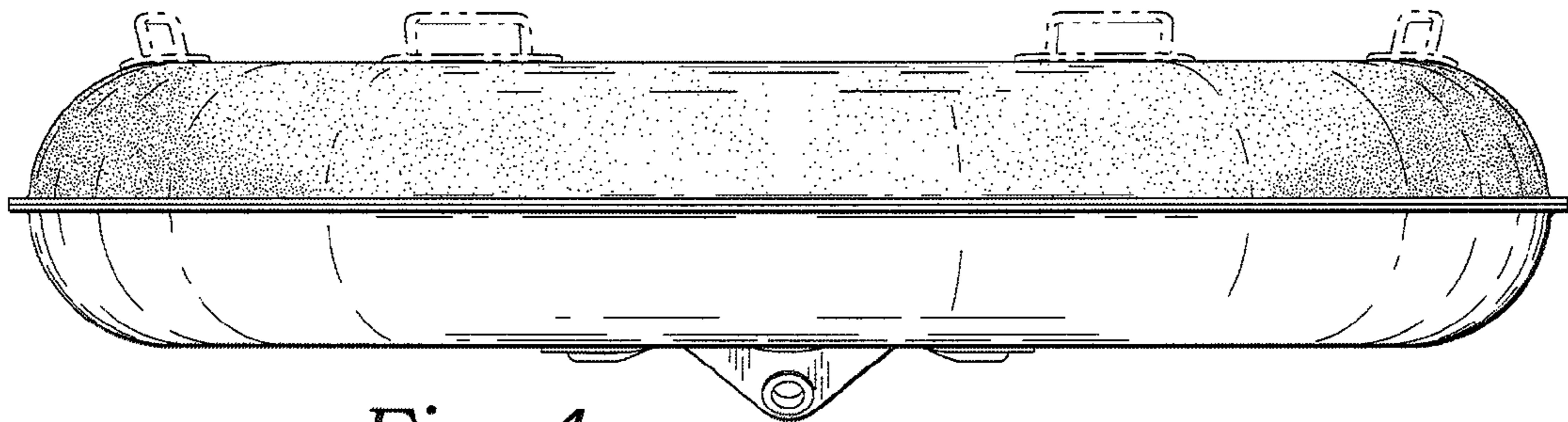
*Fig. 1*



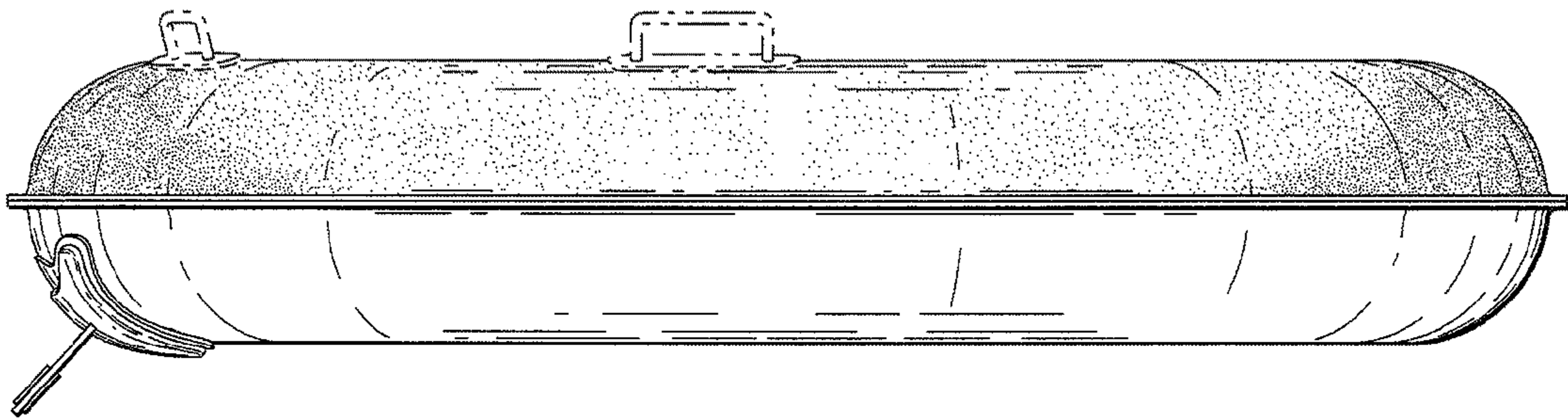
*Fig. 2*



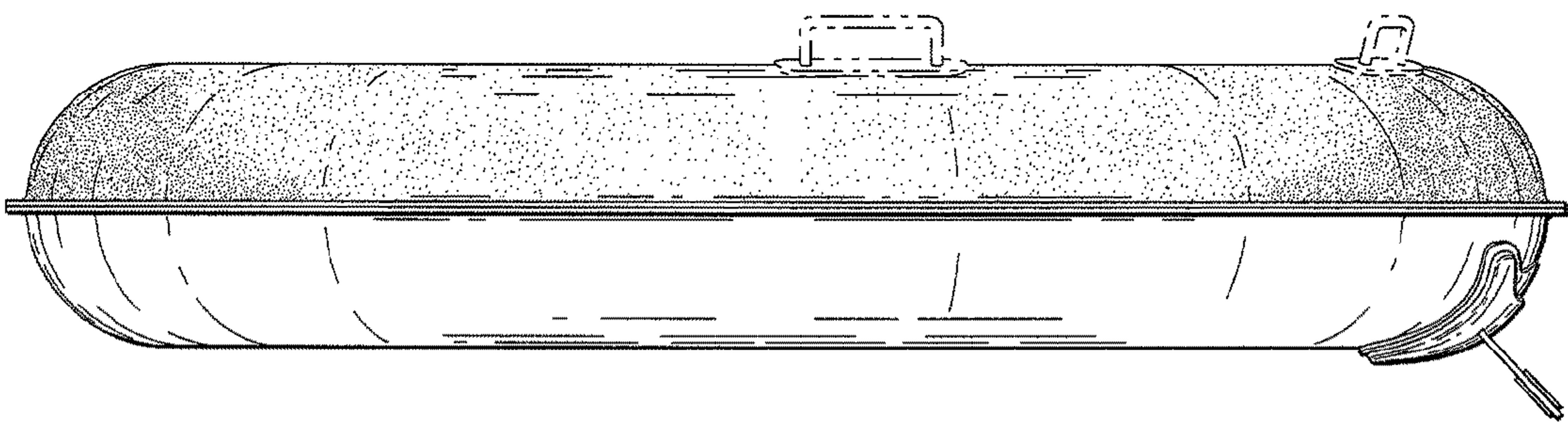
*Fig. 3*



*Fig. 4*



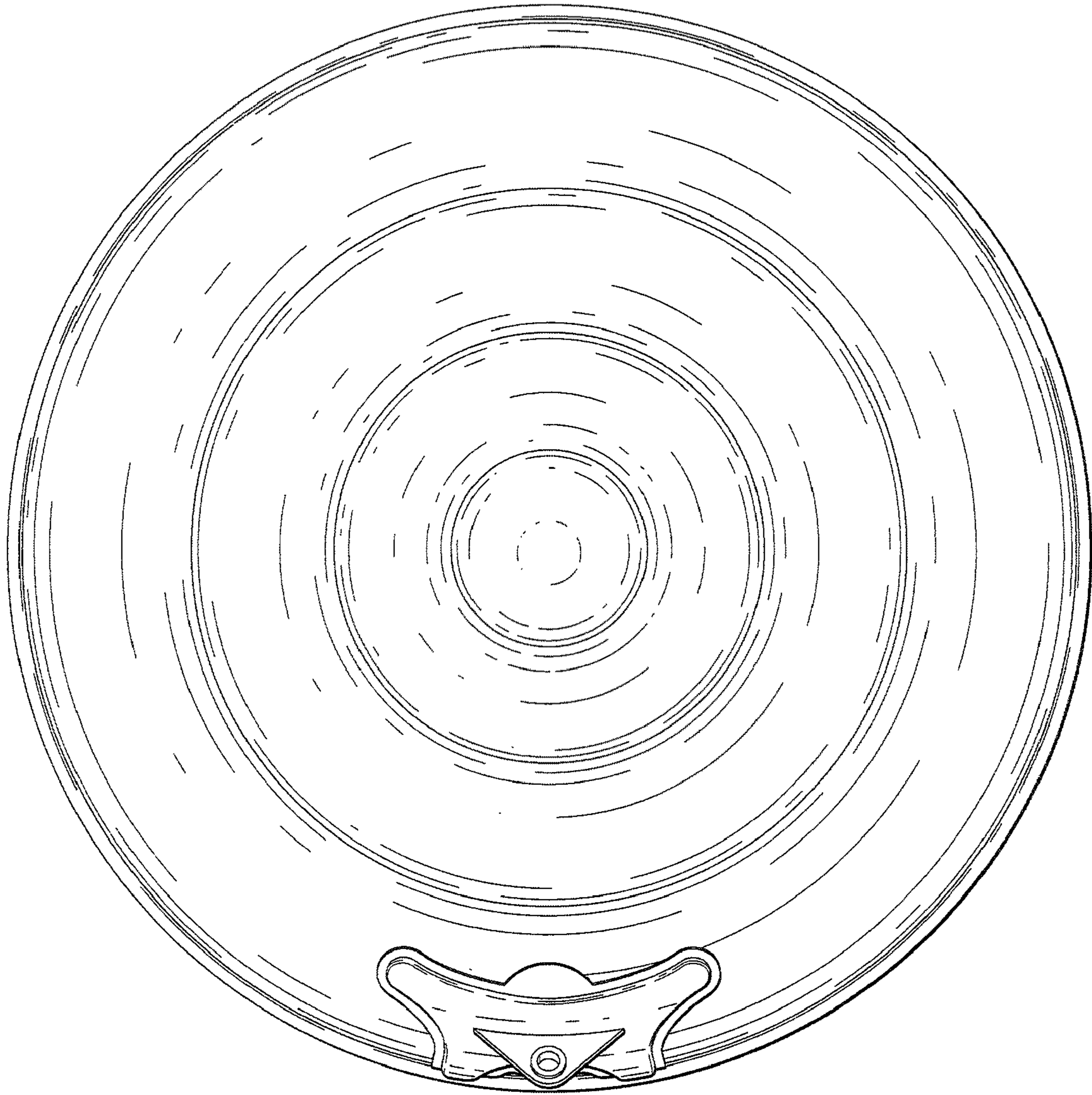
*Fig. 5*



*Fig. 6*



*Fig. 7*



*Fig. 8*