



US00D650459S

(12) **United States Design Patent**  
**Rollinson**

(10) **Patent No.:** **US D650,459 S**

(45) **Date of Patent:** **\*\* Dec. 13, 2011**

(54) **PUTTER HEAD**

(75) Inventor: **Augustin W. Rollinson**, Carlsbad, CA  
(US)

(73) Assignee: **Callaway Golf Company**, Carlsbad, CA  
(US)

(\*\*) Term: **14 Years**

(21) Appl. No.: **29/387,048**

(22) Filed: **Mar. 8, 2011**

(51) **LOC (9) Cl.** ..... **21-02**

(52) **U.S. Cl.** ..... **D21/746**

(58) **Field of Classification Search** ..... D21/736-746;  
473/324-331, 340-341, 251-256  
See application file for complete search history.

(56) **References Cited**

U.S. PATENT DOCUMENTS

D458,656 S \* 6/2002 Tang et al. .... D21/738  
D475,106 S \* 5/2003 Tang et al. .... D21/759  
D485,323 S \* 1/2004 Wagner et al. .... D21/744

D572,780 S \* 7/2008 Rollinson ..... D21/744  
D592,717 S \* 5/2009 Rollinson ..... D21/742  
D619,665 S \* 7/2010 Rollinson et al. .... D21/742  
D641,815 S \* 7/2011 Rollinson et al. .... D21/744  
D641,816 S \* 7/2011 Rollinson et al. .... D21/744

\* cited by examiner

*Primary Examiner* — Mitchell Siegel

(74) *Attorney, Agent, or Firm* — Michael A. Catania;  
Rebecca Hanovice; Sonia Lari

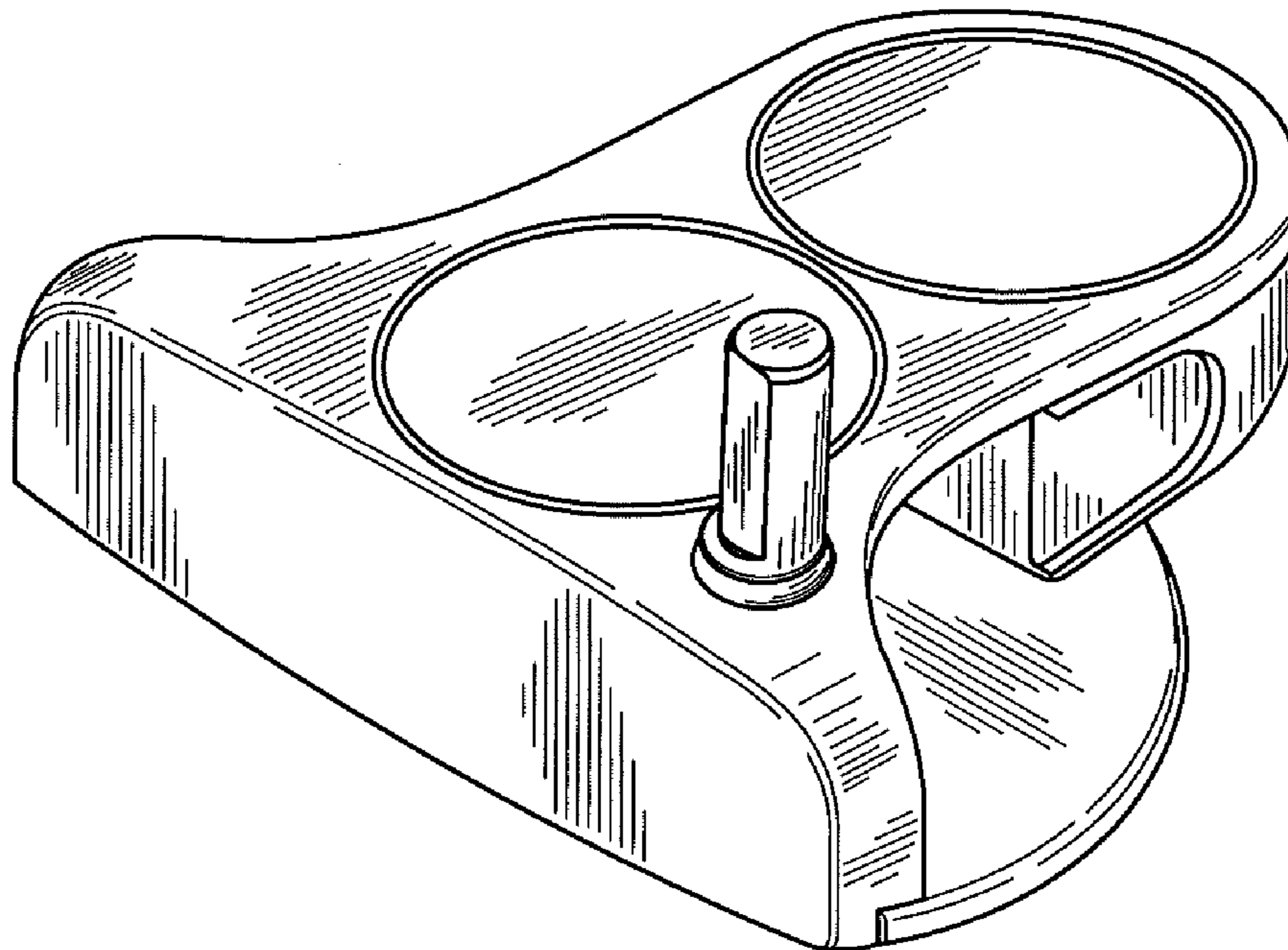
(57) **CLAIM**

The ornamental design for a putter head, as shown and described.

**DESCRIPTION**

FIG. 1 is a top perspective view of a putter head;  
FIG. 2 is a top elevational view thereof;  
FIG. 3 is a bottom elevational view thereof;  
FIG. 4 is a front elevational view thereof;  
FIG. 5 is a rear elevational view thereof;  
FIG. 6 is a heel elevational view thereof; and,  
FIG. 7 is a toe elevational view thereof.

**1 Claim, 2 Drawing Sheets**



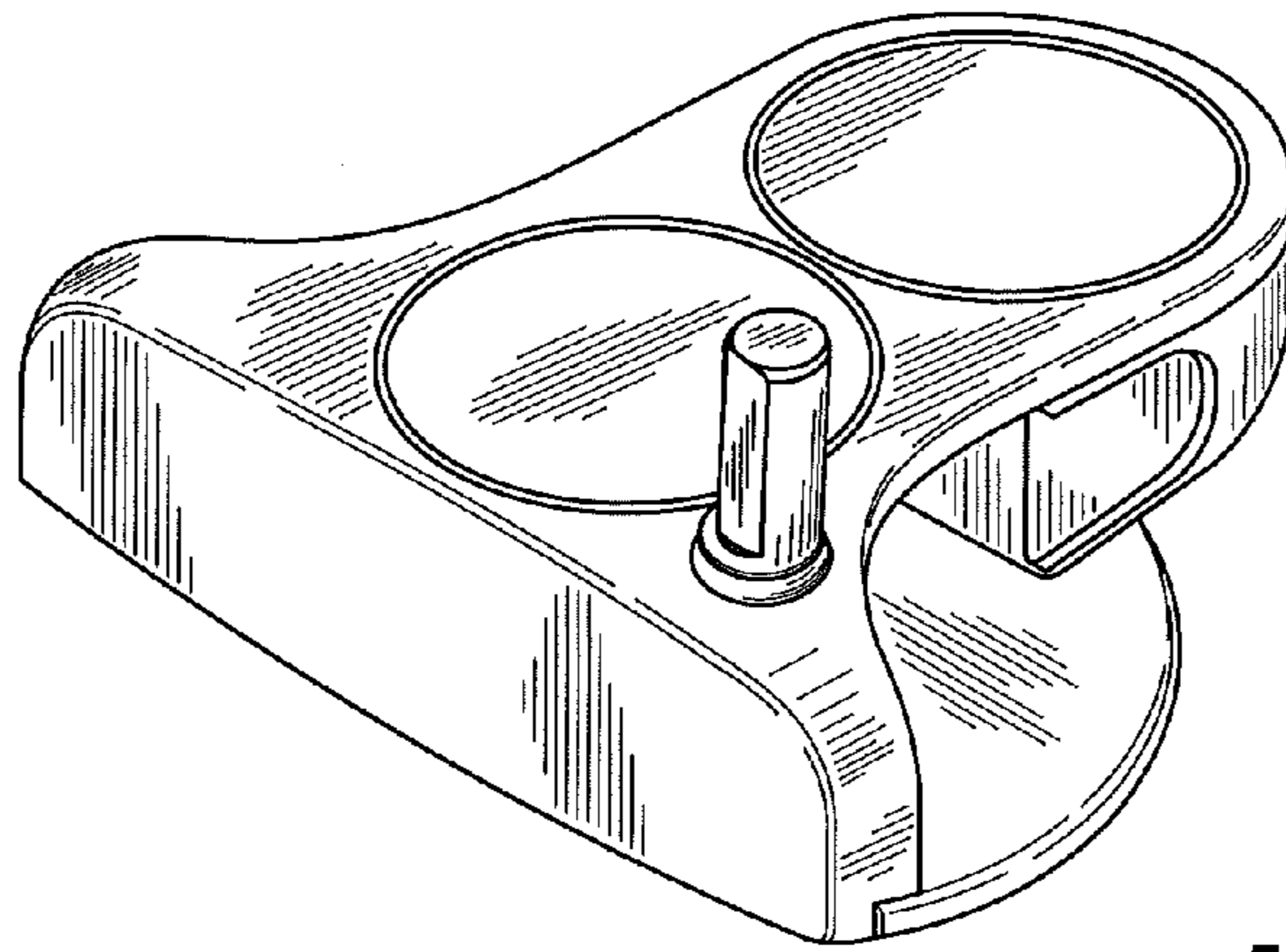


FIG. 1

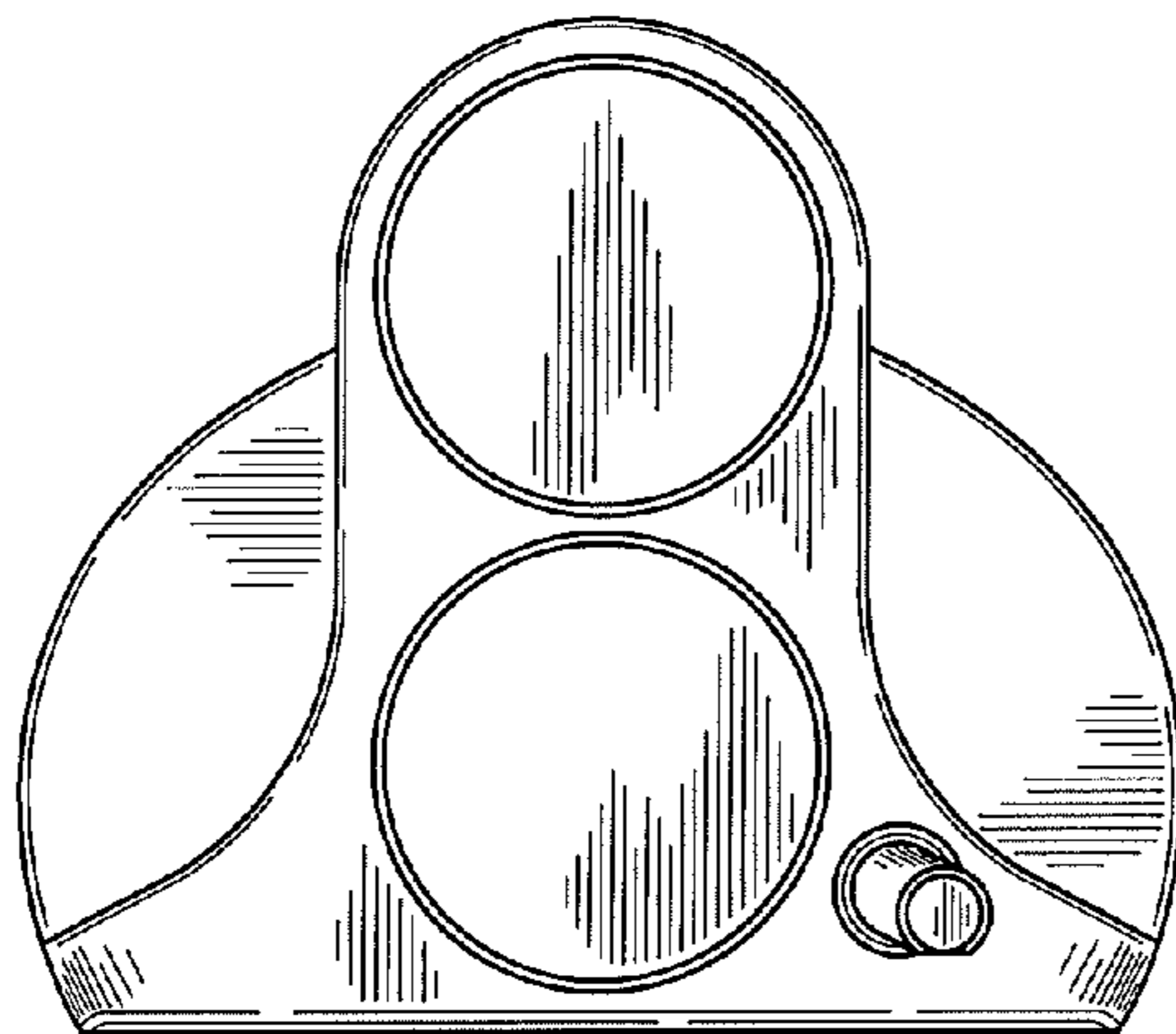


FIG. 2

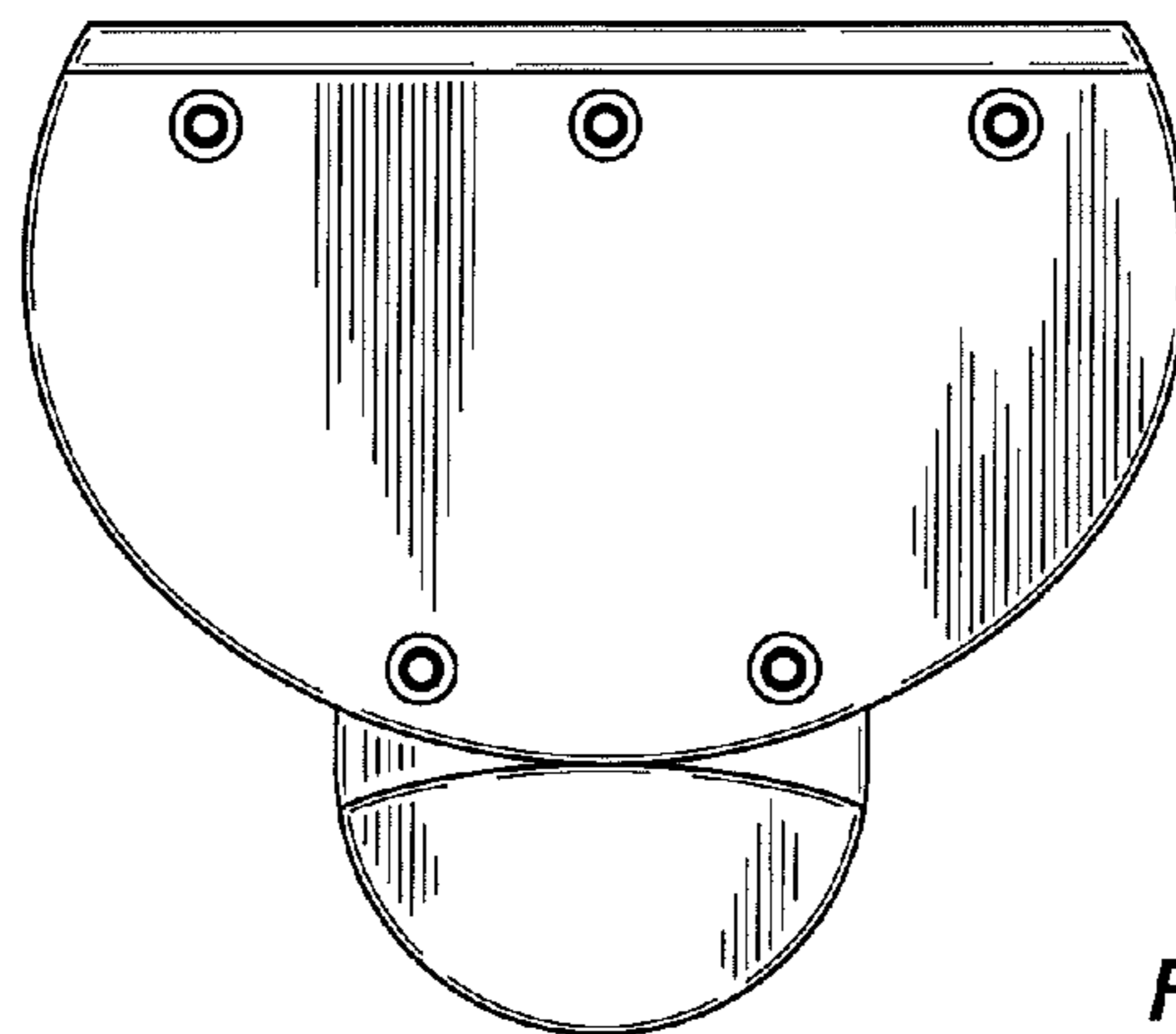
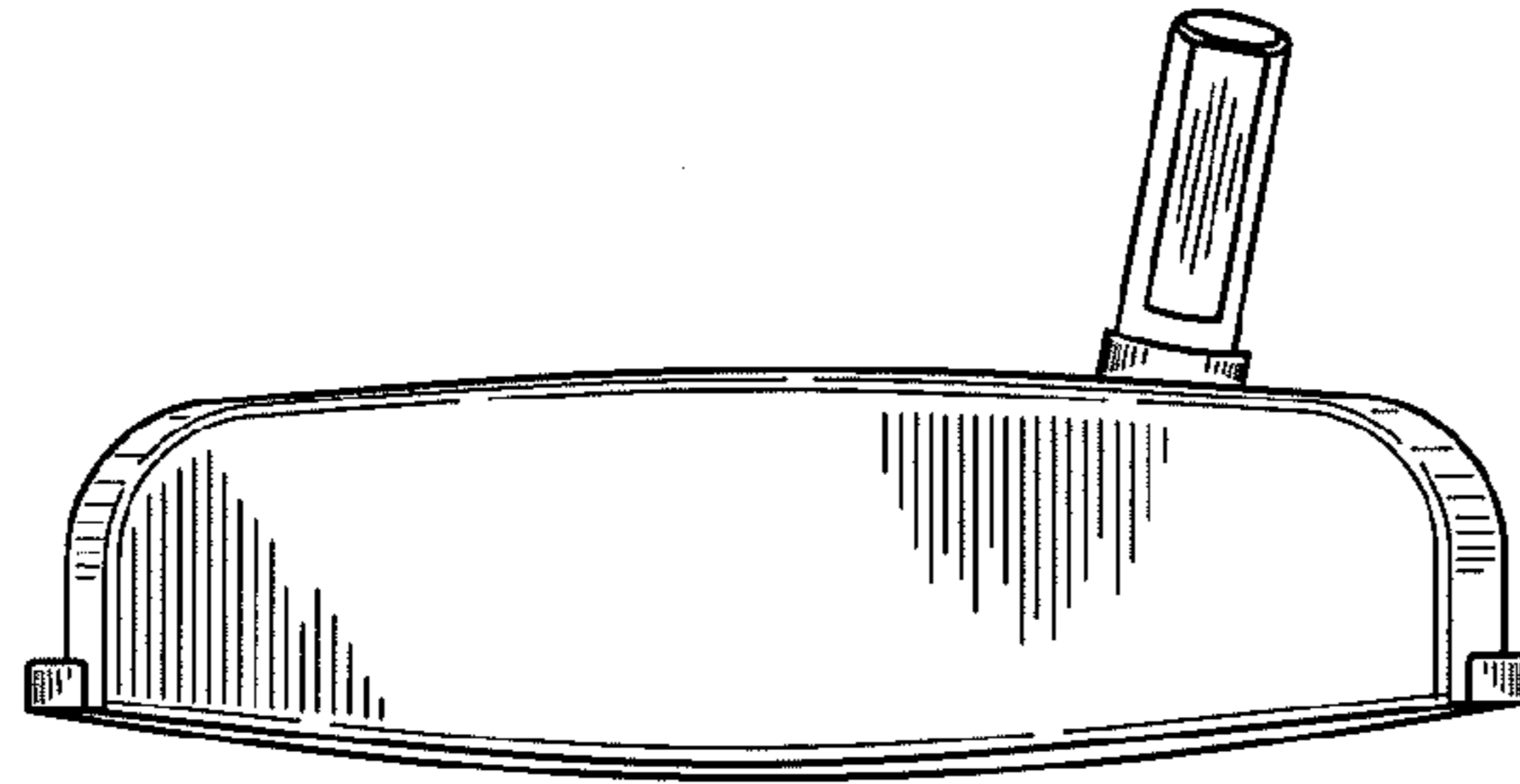
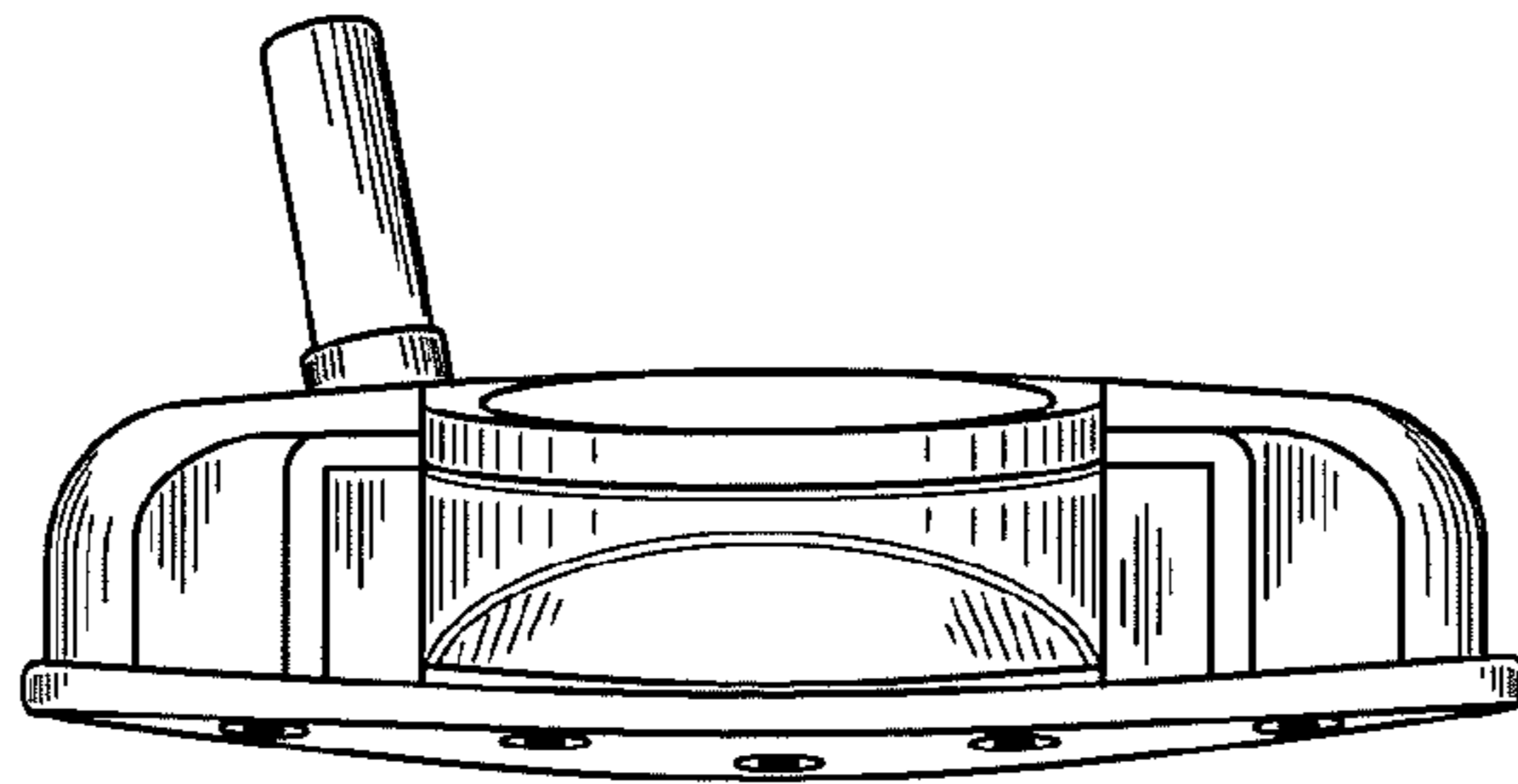


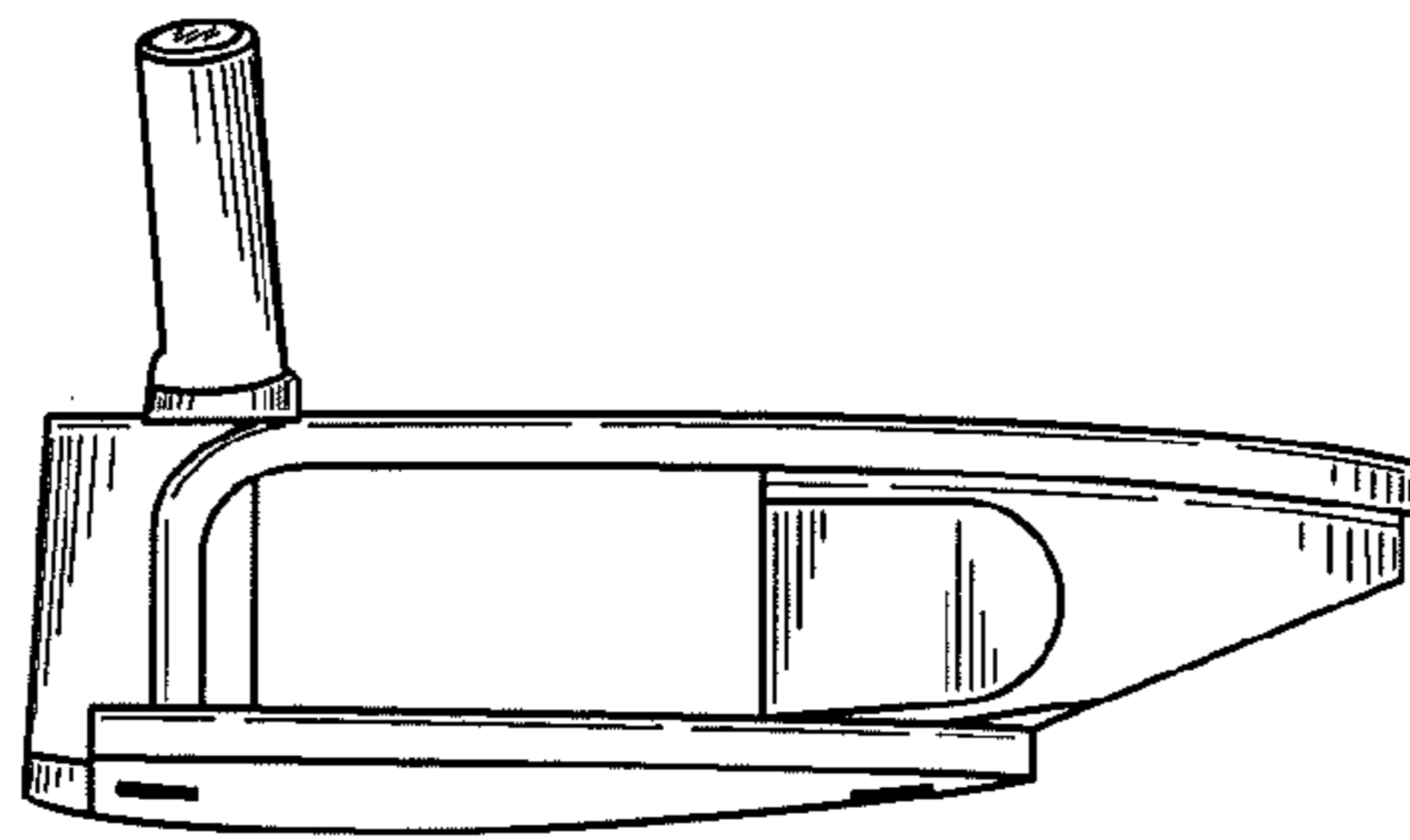
FIG. 3



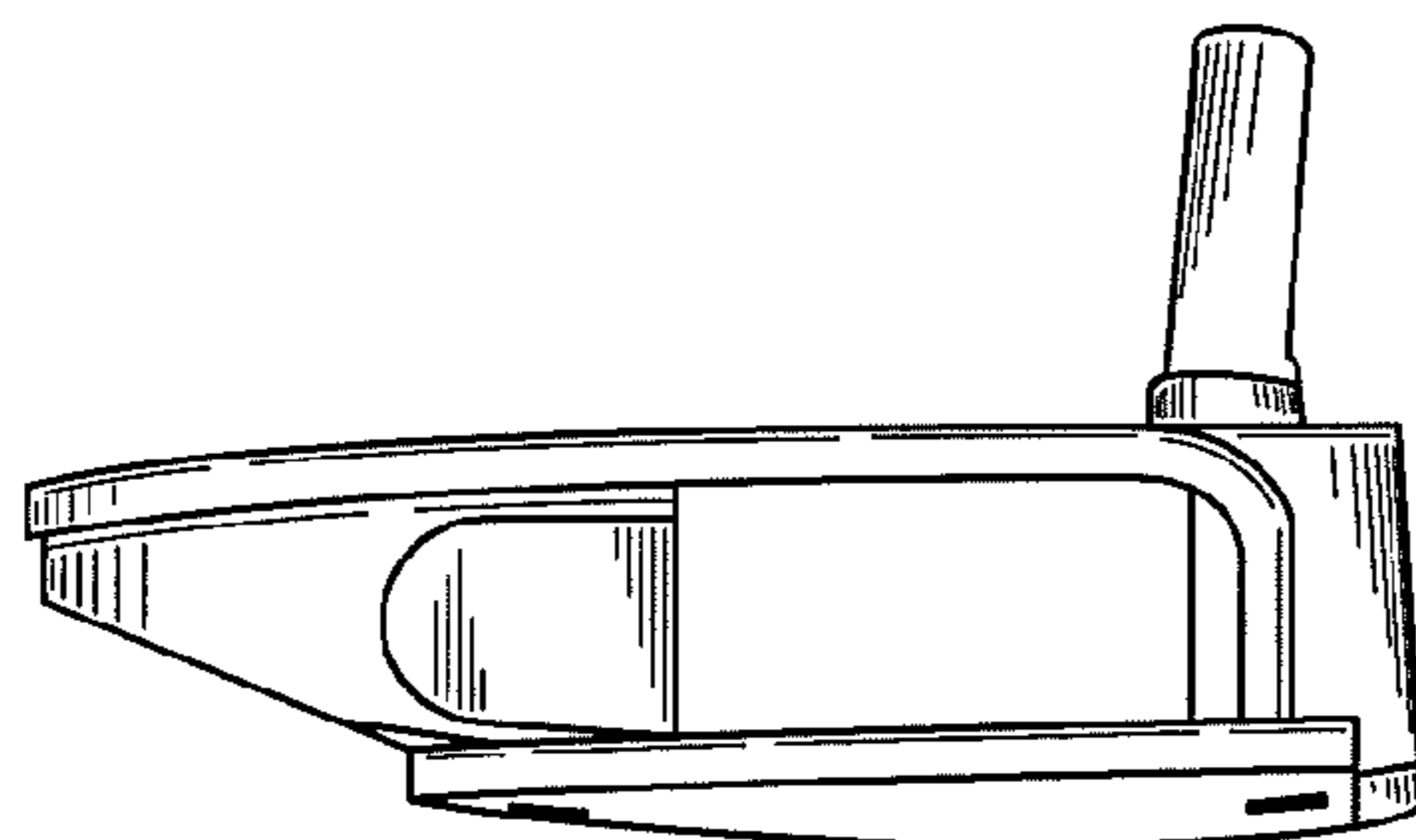
**FIG. 4**



**FIG. 5**



**FIG. 6**



**FIG. 7**