



US00D650458S

(12) **United States Design Patent**
Rollinson

(10) **Patent No.:** **US D650,458 S**

(45) **Date of Patent:** **** Dec. 13, 2011**

(54) **PUTTER HEAD**

(75) **Inventor:** **Augustin W. Rollinson**, Carlsbad, CA
(US)

(73) **Assignee:** **Callaway Golf Company**, Carlsbad, CA
(US)

(**) **Term:** **14 Years**

(21) **Appl. No.:** **29/386,474**

(22) **Filed:** **Mar. 1, 2011**

(51) **LOC (9) Cl.** **21-02**

(52) **U.S. Cl.** **D21/744**

(58) **Field of Classification Search** D21/736-746;
473/324-331, 340-341, 251-256

See application file for complete search history.

(56) **References Cited**

U.S. PATENT DOCUMENTS

D449,085 S *	10/2001	Breier et al.	D21/744
D583,886 S *	12/2008	Cameron	D21/743
D588,657 S *	3/2009	Hettinger et al.	D21/744
D641,442 S *	7/2011	Rollinson	D21/744

* cited by examiner

Primary Examiner — Mitchell Siegel

(74) *Attorney, Agent, or Firm* — Michael A. Catania;
Rebecca Hanovice; Sonia Lari

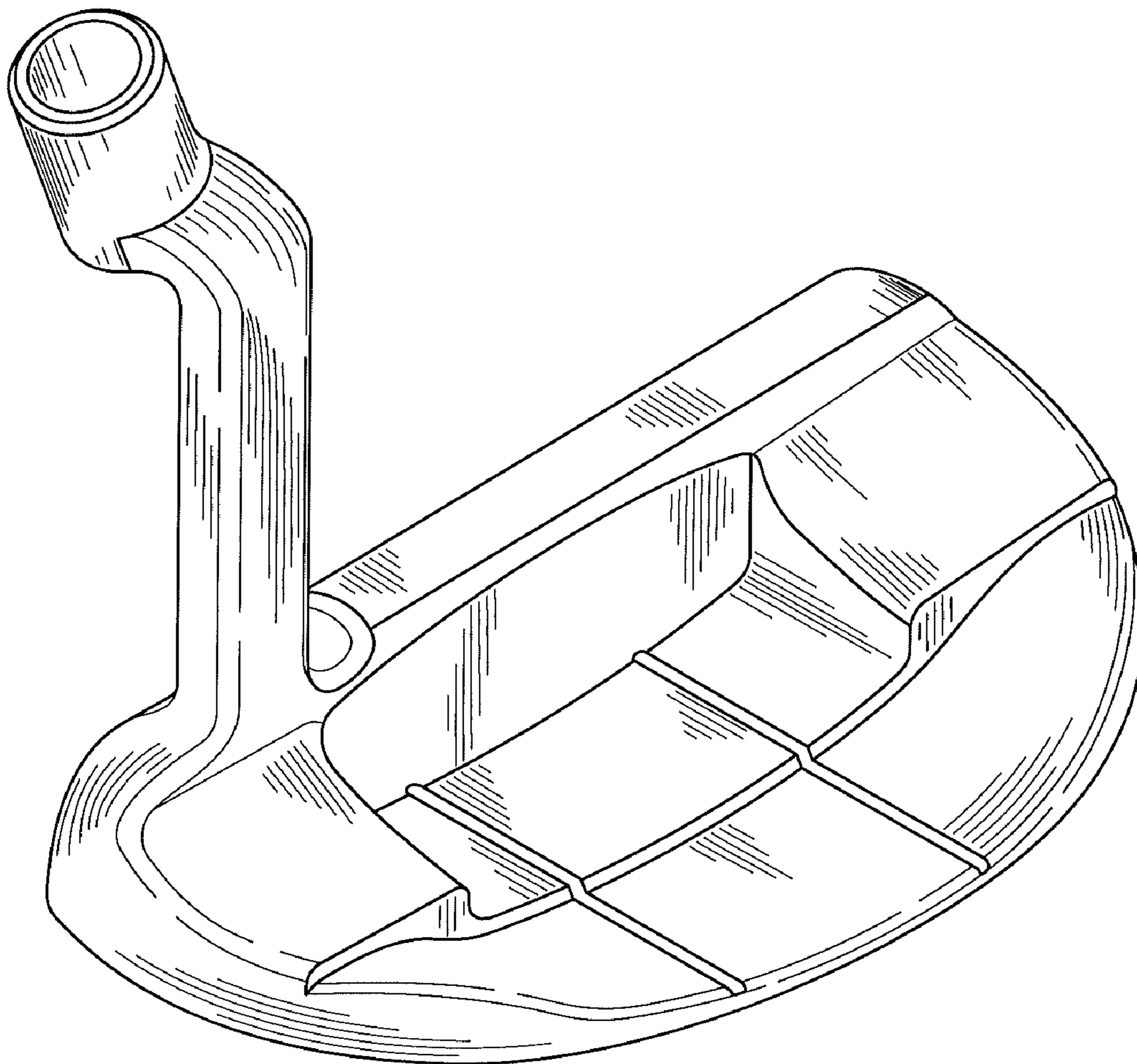
(57) **CLAIM**

The ornamental design for a putter head, as shown and described.

DESCRIPTION

FIG. 1 is a top perspective view of a putter head;
FIG. 2 is a heel elevational view thereof;
FIG. 3 is a toe elevational view thereof;
FIG. 4 is a rear elevational view thereof;
FIG. 5 is a front elevational view thereof;
FIG. 6 is a top plan view thereof; and,
FIG. 7 is a bottom plan view thereof.

1 Claim, 4 Drawing Sheets



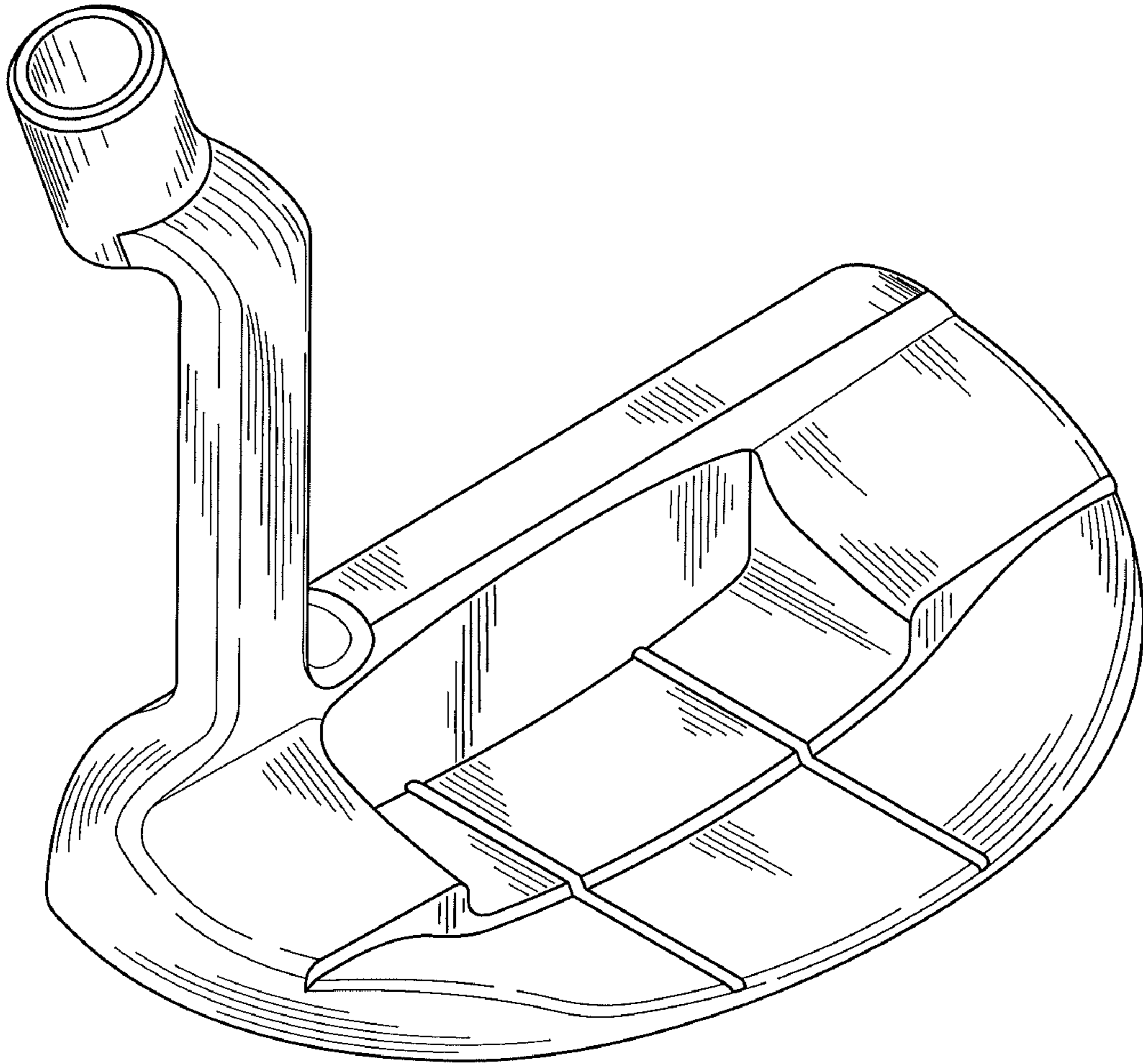


FIG. 1

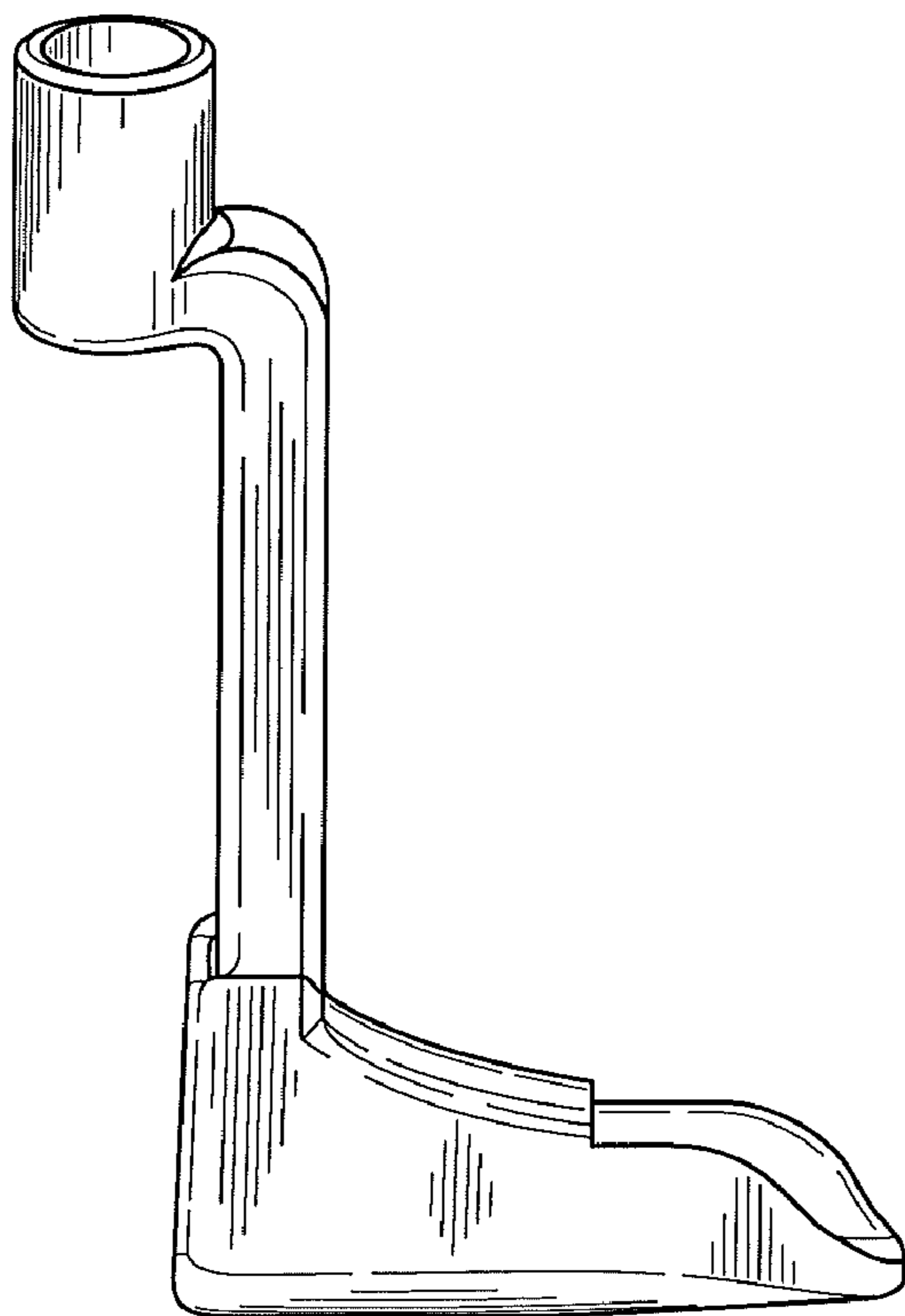


FIG. 2

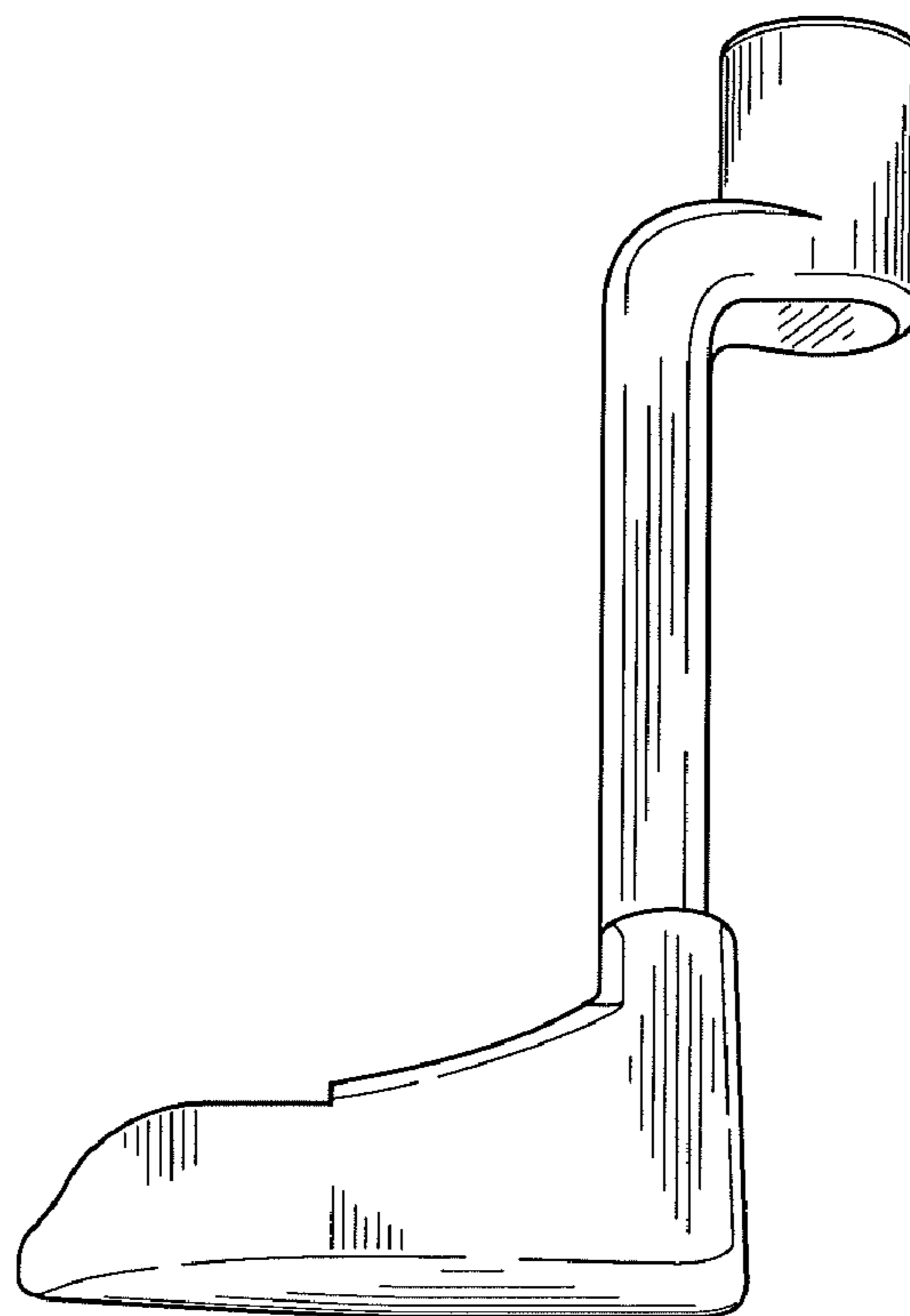


FIG. 3

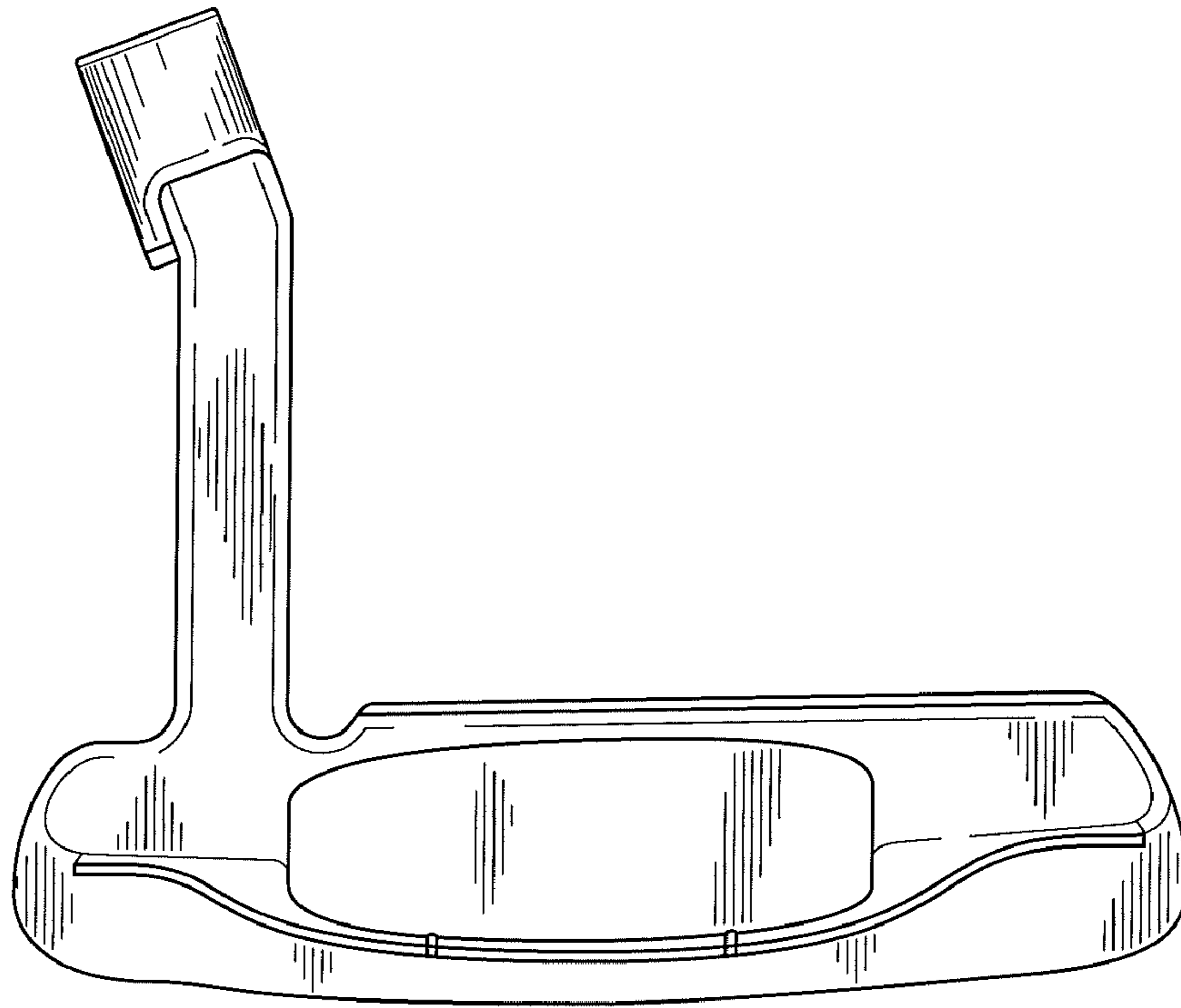


FIG. 4

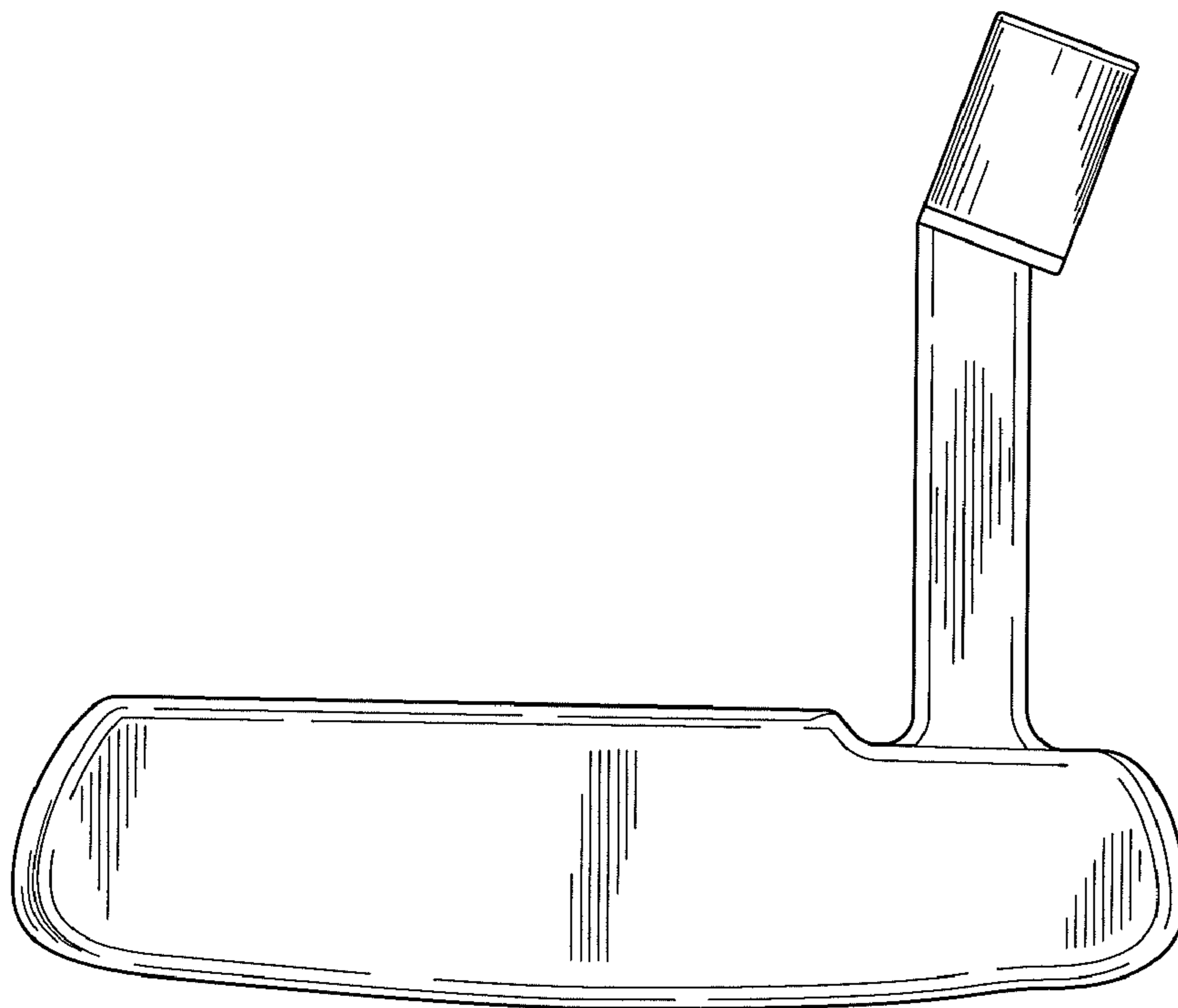


FIG. 5

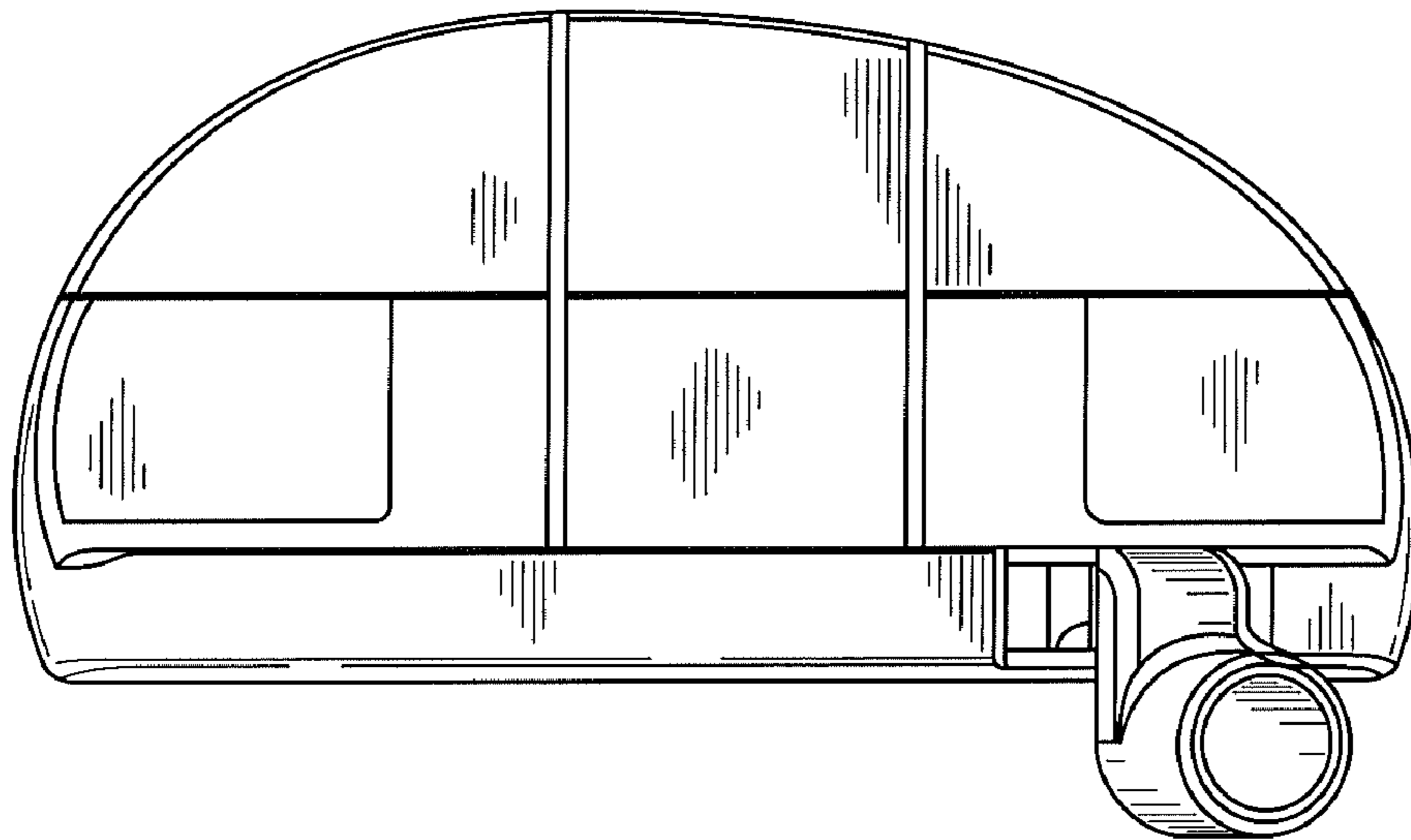


FIG. 6

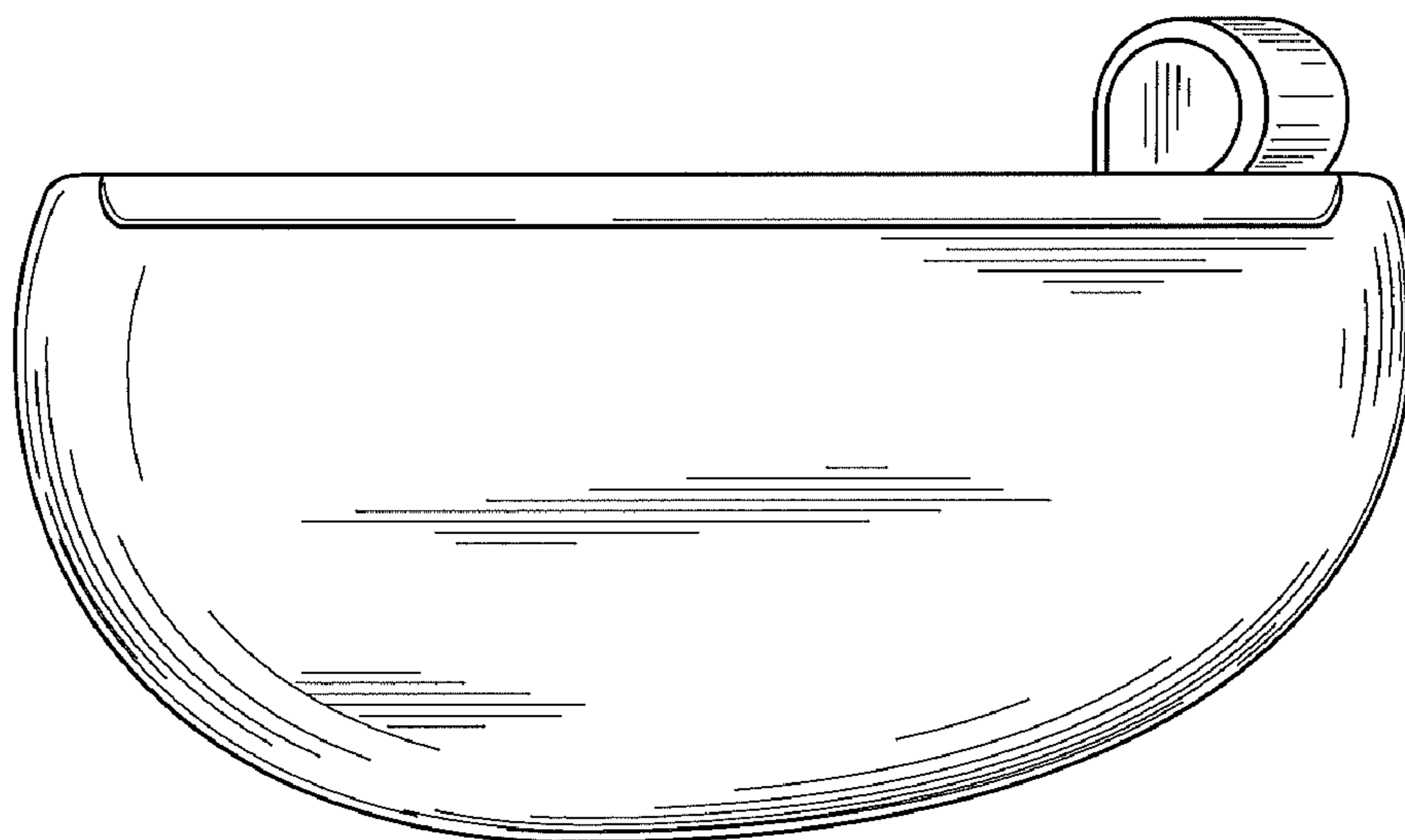


FIG. 7