



US00D650455S

(12) **United States Design Patent**
Serrano et al.

(10) **Patent No.:** **US D650,455 S**

(45) **Date of Patent:** **** Dec. 13, 2011**

- (54) **GOLF CLUB HEAD**
- (75) Inventors: **Anthony D. Serrano**, Anthem, AZ (US);
Xiaojian Chen, Phoenix, AZ (US)
- (73) Assignee: **Karsten Manufacturing Corporation**,
Phoenix, AZ (US)
- (**) Term: **14 Years**
- (21) Appl. No.: **29/382,981**
- (22) Filed: **Jan. 10, 2011**
- (51) **LOC (9) Cl.** **21-02**
- (52) **U.S. Cl.** **D21/743**
- (58) **Field of Classification Search** D21/736-746;
473/324-331, 340-341, 251-256
See application file for complete search history.

- 4,714,252 A 12/1987 Roraback
- 4,722,528 A 2/1988 Tsao
- 4,741,535 A 5/1988 Leonhardt
- 4,834,387 A 5/1989 Waites
- D315,005 S 2/1991 Solheim
- D324,555 S 3/1992 Evans
- D333,331 S 2/1993 Evans
- 5,211,401 A 5/1993 Hainey
- 5,226,654 A 7/1993 Solheim
- D341,405 S 11/1993 Solheim
- D342,112 S 12/1993 Diesterheft
- 5,320,346 A 6/1994 Phillips
- 5,320,353 A 6/1994 Moore
- 5,324,031 A 6/1994 Green
- D356,615 S 3/1995 Solheim

(Continued)

(56) **References Cited**

U.S. PATENT DOCUMENTS

- 1,897,264 A 2/1933 Lamb
- 1,901,562 A 3/1933 Main
- 2,014,829 A 9/1935 Young
- 2,486,952 A 11/1949 Kearsley
- 3,042,405 A 1/1962 Solheim
- D196,734 S 10/1963 Solheim
- D202,715 S 11/1965 Solheim
- D203,512 S 1/1966 Solheim
- D207,227 S 3/1967 Solheim
- D207,228 S 3/1967 Solheim
- D209,761 S 1/1968 Solheim
- D213,509 S 3/1969 Solheim
- D218,178 S 7/1970 Solheim
- D231,375 S 4/1974 Solheim
- D235,668 S 7/1975 Swash
- D239,778 S 5/1976 Solheim
- 3,954,265 A 5/1976 Taylor
- D255,373 S 6/1980 Solheim
- 4,222,566 A 9/1980 Berry
- D263,614 S 3/1982 Solheim
- 4,390,184 A 6/1983 Rudell
- 4,527,799 A 7/1985 Solheim
- D283,039 S 3/1986 Solheim
- 4,695,054 A 9/1987 Tunstall

OTHER PUBLICATIONS

Anthony D. Serrano, et al., "Golf Club Head," U.S. Appl. No. 29/381,139, filed Dec. 15, 2010.

Primary Examiner — Mitchell Siegel

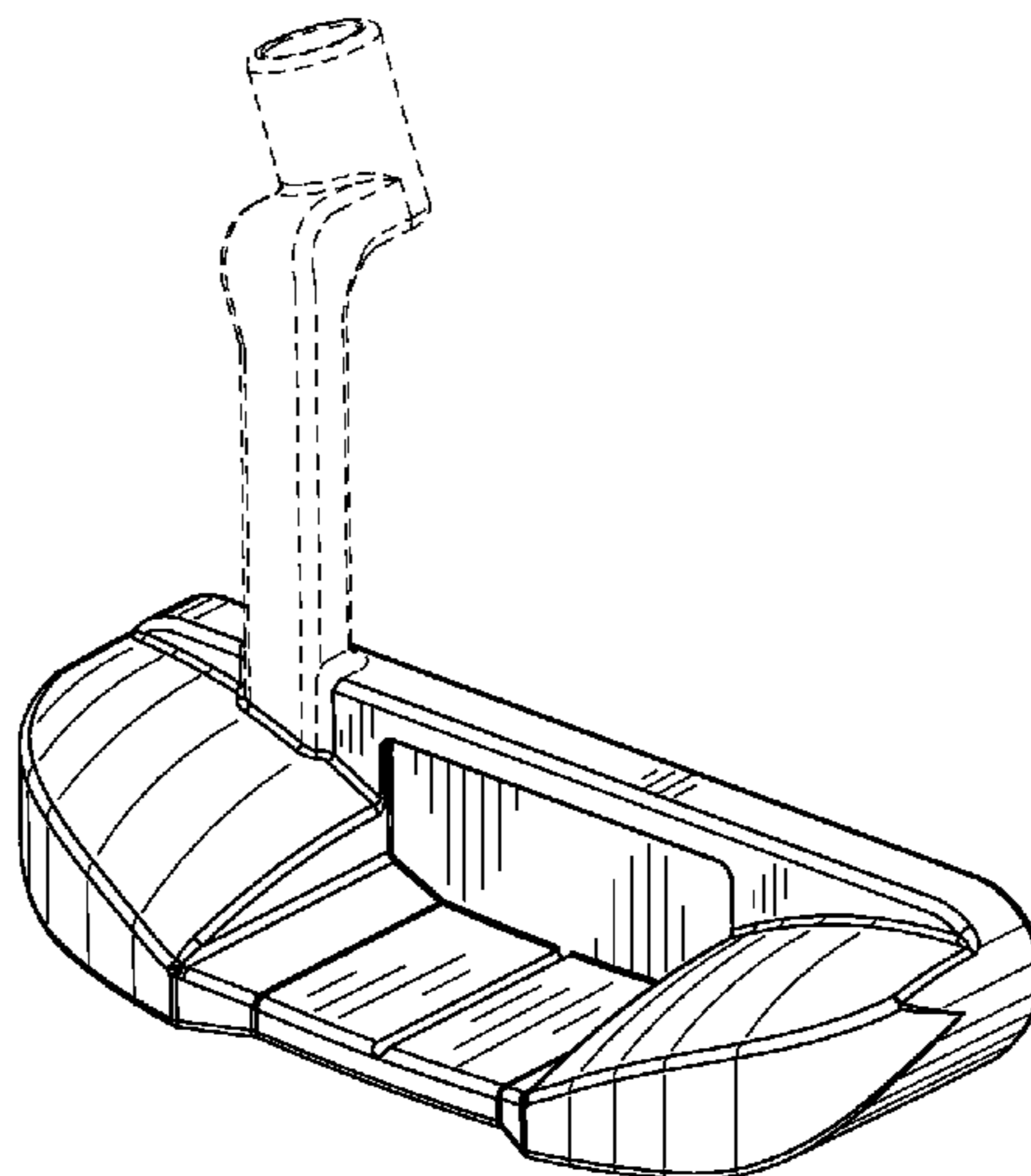
(57) **CLAIM**

The ornamental design for a golf club head, as shown and described.

DESCRIPTION

FIG. 1 is a top perspective view of a golf club head;
 FIG. 2 is a bottom perspective view of the golf club head of FIG. 1;
 FIG. 3 is a rear perspective view of the golf club head of FIG. 1;
 FIG. 4 is a rear elevational view of the golf club head of FIG. 1;
 FIG. 5 is a top view of the golf club head of FIG. 1;
 FIG. 6 is a bottom view of the golf club head of FIG. 1;
 FIG. 7 is a left side view of the golf club head of FIG. 1; and,
 FIG. 8 is a right side view of the golf club head of FIG. 1.
 The broken lines shown in one or more of the figures are for illustrative purposes only and form no part of the claimed design.

1 Claim, 4 Drawing Sheets



US D650,455 S

U.S. PATENT DOCUMENTS

D356,844 S	3/1995	Solheim	D552,197 S	10/2007	Wells
D356,846 S	3/1995	Murrill	D557,361 S	12/2007	Rollinson
D357,291 S	4/1995	Solheim	7,326,121 B2	2/2008	Roake
5,482,281 A	1/1996	Anderson	D564,606 S	3/2008	Oldknow
D375,768 S	11/1996	Solheim	D564,607 S	3/2008	Oldknow
5,580,058 A	12/1996	Coughlin	D565,138 S	3/2008	Wilson
D380,246 S	6/1997	Anderson	D569,461 S	5/2008	Morris
5,716,290 A	2/1998	Baker	D569,462 S	5/2008	Rollinson
5,820,481 A	10/1998	Raudman	D571,877 S	6/2008	Jones
D405,836 S	2/1999	Nicolette	D571,878 S	6/2008	Jones
D410,267 S	5/1999	Solheim	D571,879 S	6/2008	Jones
D411,271 S	6/1999	Nelson	7,390,267 B2	6/2008	Grace
D428,086 S	7/2000	Solheim	D573,673 S	7/2008	Noyes
D441,820 S	5/2001	Nicolette	D574,907 S	8/2008	Jones
D443,905 S	6/2001	Nicolette	D574,908 S	8/2008	Hettinger
D444,833 S	7/2001	Wells	D574,909 S	8/2008	Jones
D450,799 S	11/2001	Nicolette	D574,910 S	8/2008	Jones
D451,973 S	12/2001	Wells	D574,911 S	8/2008	Jones
D454,169 S	3/2002	Solheim	D574,912 S	8/2008	Jones
6,402,638 B1	6/2002	Kelley	D575,366 S	8/2008	Rollinson
D464,099 S	10/2002	Cole	D577,085 S	9/2008	Nicolette
D467,291 S	12/2002	Ngon	D577,086 S	9/2008	Nicolette
D472,949 S	4/2003	Serrano	D577,398 S	9/2008	Hilton
D474,821 S	5/2003	Wells	D579,505 S	10/2008	Jones
D477,041 S	7/2003	Cameron	D579,506 S	10/2008	Nicolette
6,634,956 B1	10/2003	Pegg	D579,995 S	11/2008	Nicolette
D483,086 S	12/2003	Schweigert	7,455,599 B2	11/2008	Jones
6,663,497 B2	12/2003	Cameron	D582,497 S	12/2008	Rollinson
D488,200 S	4/2004	Olsavsky	D585,510 S	1/2009	Murrieta
D494,237 S	8/2004	Ware	7,473,189 B2	1/2009	Schweigert
D498,276 S	11/2004	Schweigert	7,481,713 B2	1/2009	Beckman
D499,778 S	12/2004	Cameron	D587,325 S	2/2009	Solheim
D500,109 S	12/2004	Solheim	D590,035 S	4/2009	Hilton
D500,110 S	12/2004	Solheim	D590,461 S	4/2009	Kim
D500,539 S	1/2005	Holloway	D591,371 S	4/2009	Hilton
D502,234 S	2/2005	Grace	D591,372 S	4/2009	Tang
D502,748 S	3/2005	Burrows	D591,806 S	5/2009	Cameron
D505,702 S	5/2005	Wood	D591,807 S	5/2009	Rollinson
D506,795 S	6/2005	Petersen	D592,717 S	5/2009	Rollinson
D506,796 S	6/2005	Li	D594,073 S	6/2009	Kadoya
D507,613 S	7/2005	Baiocchi	D594,517 S	6/2009	Tang
D508,273 S	8/2005	Garner	D594,917 S	6/2009	Stellander
D510,394 S	10/2005	Tang	D595,372 S	6/2009	Rollinson
6,960,140 B2	11/2005	Solheim	D595,373 S	6/2009	Kim
6,966,845 B2	11/2005	Solheim	D596,685 S	7/2009	Wallans
D514,182 S	1/2006	Olsavsky	D599,423 S	9/2009	Serrano
D515,646 S	2/2006	Perry	D599,424 S	9/2009	Serrano
7,004,849 B2	2/2006	Cameron	D599,425 S	9/2009	Laub
D517,143 S	3/2006	Petsel	D599,868 S	9/2009	Serrano
D518,127 S	3/2006	Tang	D599,869 S	9/2009	Serrano
D520,583 S	5/2006	Rollinson	D599,870 S	9/2009	Serrano
D521,582 S	5/2006	Souza	D600,760 S	9/2009	Serrano
7,052,411 B2	5/2006	Solheim	D600,761 S	9/2009	Serrano
D522,598 S	6/2006	Solheim	D600,762 S	9/2009	Serrano
D524,887 S	7/2006	Jones	D601,214 S *	9/2009	Serrano et al. D21/736
D525,327 S	7/2006	Jones	D603,008 S	10/2009	Donahue
D525,328 S	7/2006	Solheim	7,601,076 B2	10/2009	Rollinson
D525,329 S	7/2006	Jones	D606,139 S	12/2009	Ines
7,077,758 B2	7/2006	Rohrer	7,645,199 B2	1/2010	Cameron
D527,777 S	9/2006	Solheim	D621,458 S	8/2010	Serrano
D529,560 S	10/2006	Madore	D621,459 S	8/2010	Serrano
D532,842 S	11/2006	Jones	D621,460 S	8/2010	Serrano
D532,843 S	11/2006	Jones	D621,461 S	8/2010	Serrano
D532,845 S	11/2006	Rollinson	D621,462 S	8/2010	Serrano
D532,846 S	11/2006	Lee	D621,891 S	8/2010	Serrano
D533,243 S	12/2006	Fife, Jr.	D623,709 S	9/2010	Serrano
D533,609 S	12/2006	Moore	7,803,066 B2	9/2010	Solheim
7,147,569 B2	12/2006	Tang	2003/0228925 A1	12/2003	Rohrer
D534,974 S	1/2007	Haack	2007/0021229 A1	1/2007	Haack
D536,400 S	2/2007	DiBattista, Sr.	2007/0049402 A1	3/2007	Sanchez
D537,135 S	2/2007	Rollinson	2007/0298904 A1	12/2007	Dworzan
D539,860 S	4/2007	Fussell	2009/0029800 A1	1/2009	Jones
D542,873 S	5/2007	Oldknow	2009/0105008 A1	4/2009	Kuan
D545,385 S	6/2007	Tang	2009/0170629 A1	7/2009	Hilton
D547,403 S	7/2007	Serrano	2009/0270196 A1	10/2009	Solheim
D547,404 S	7/2007	Serrano	2009/0305806 A1	12/2009	Campadore
D547,405 S	7/2007	Serrano	2009/0305807 A1	12/2009	Solheim
D548,295 S	8/2007	Jertson			

* cited by examiner

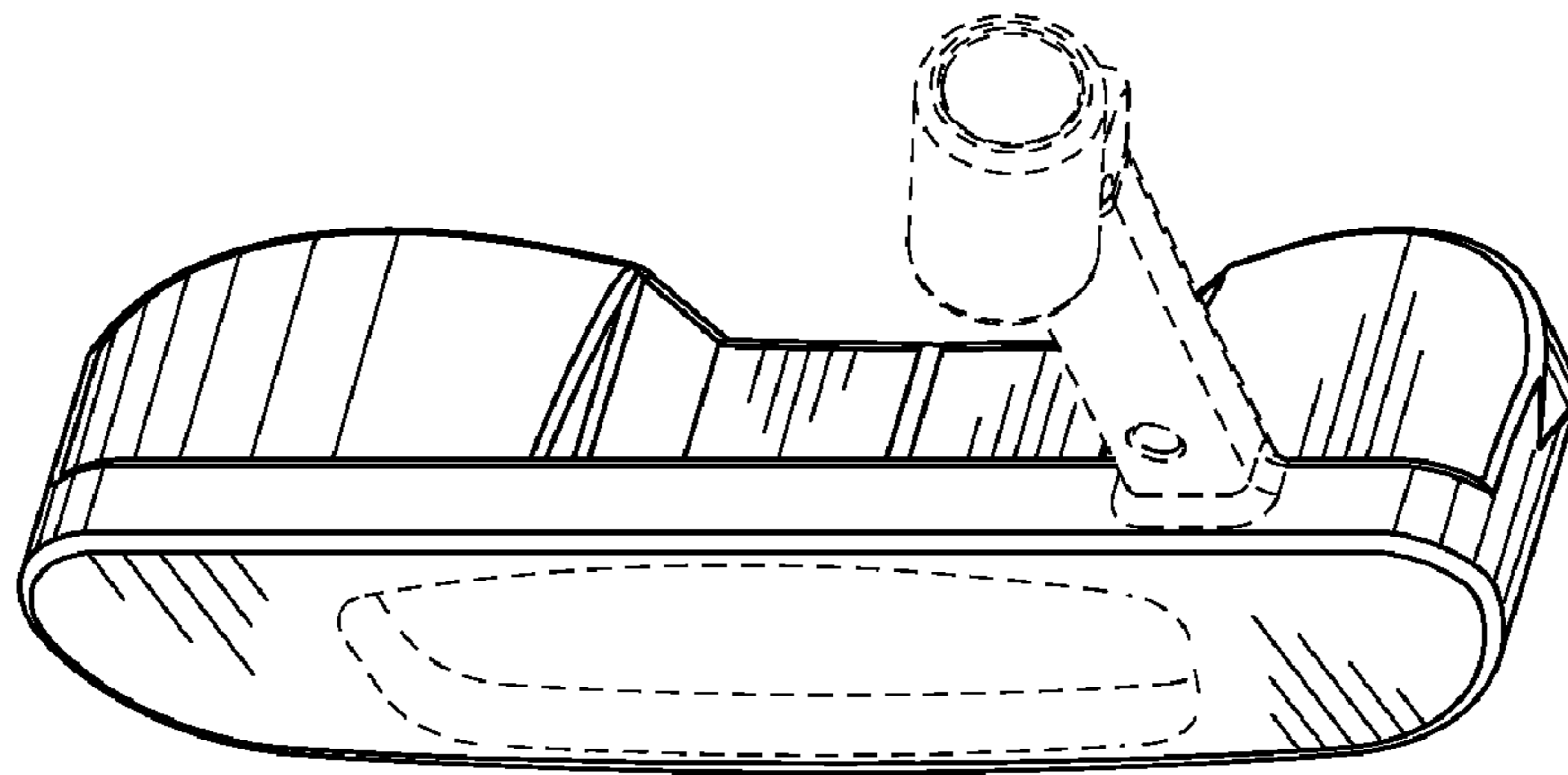


FIG. 1

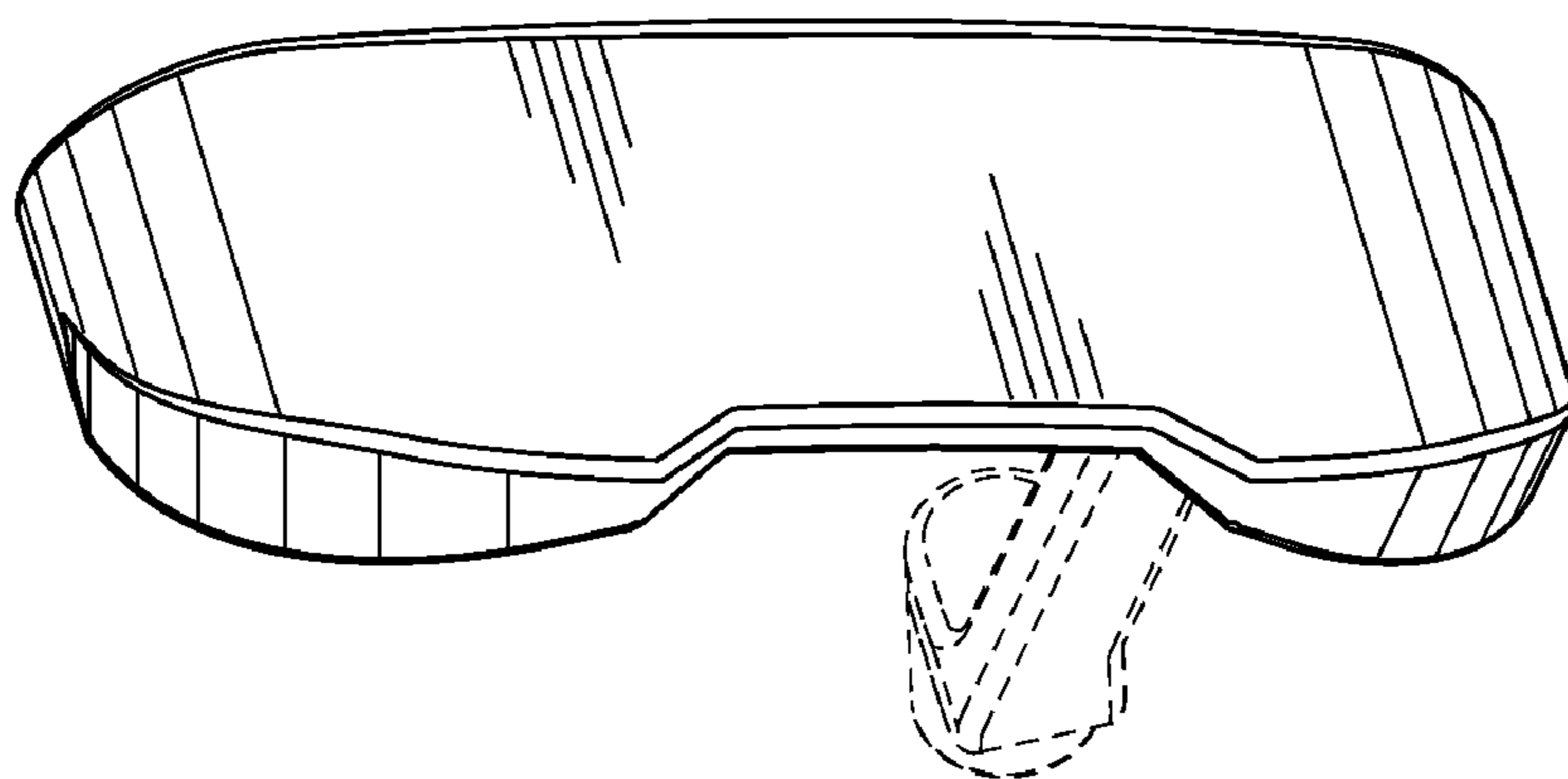


FIG. 2

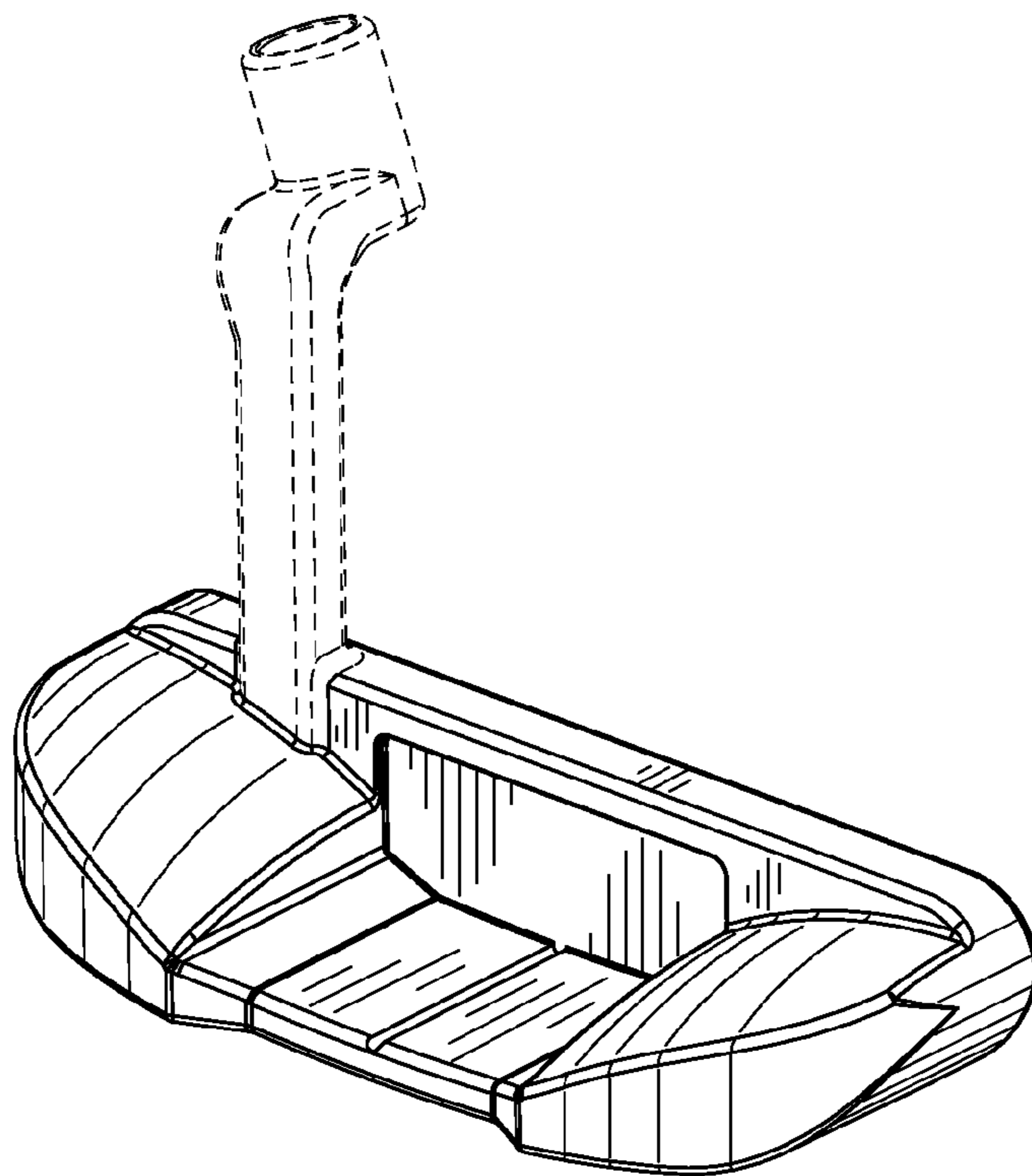


FIG. 3

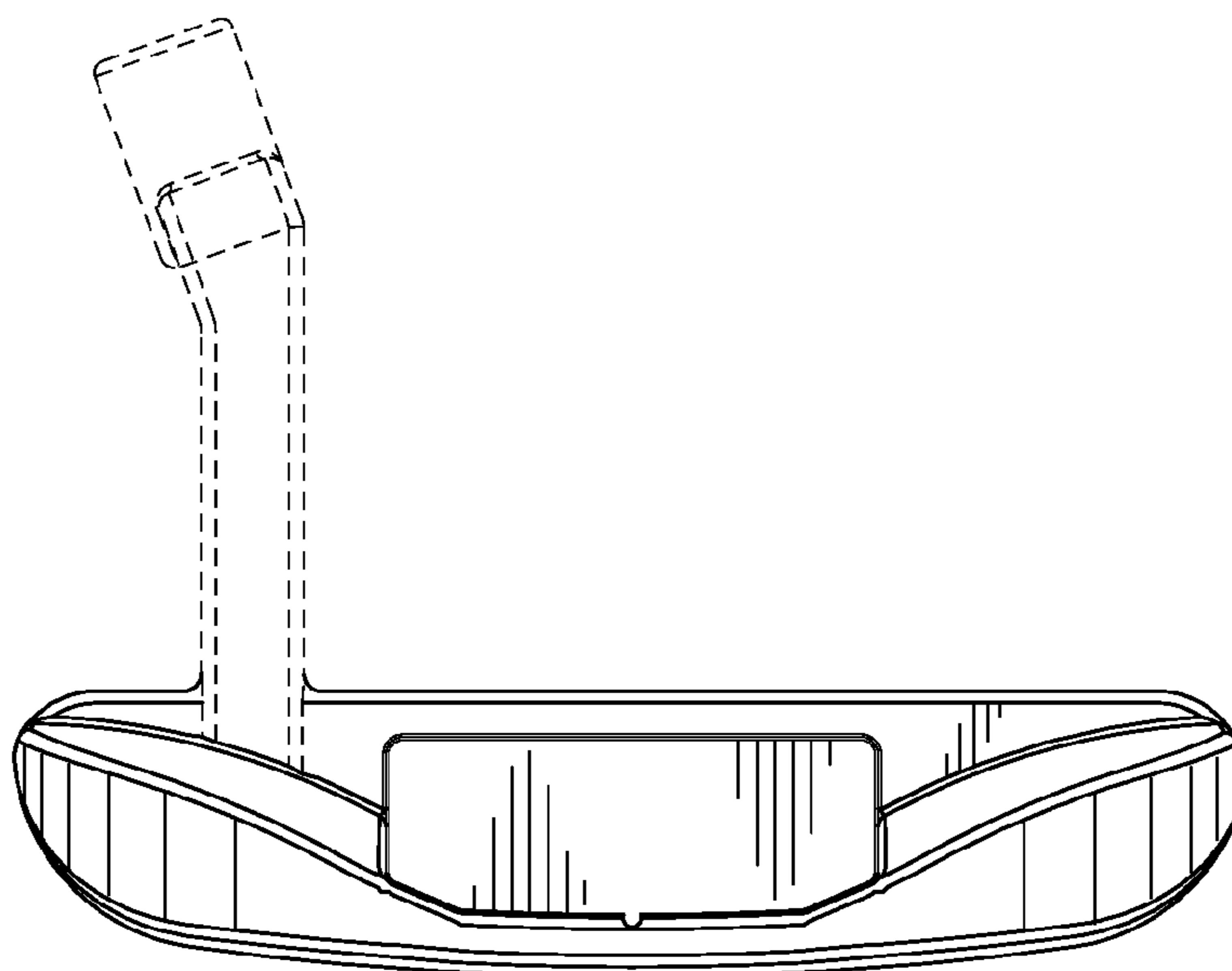


FIG. 4

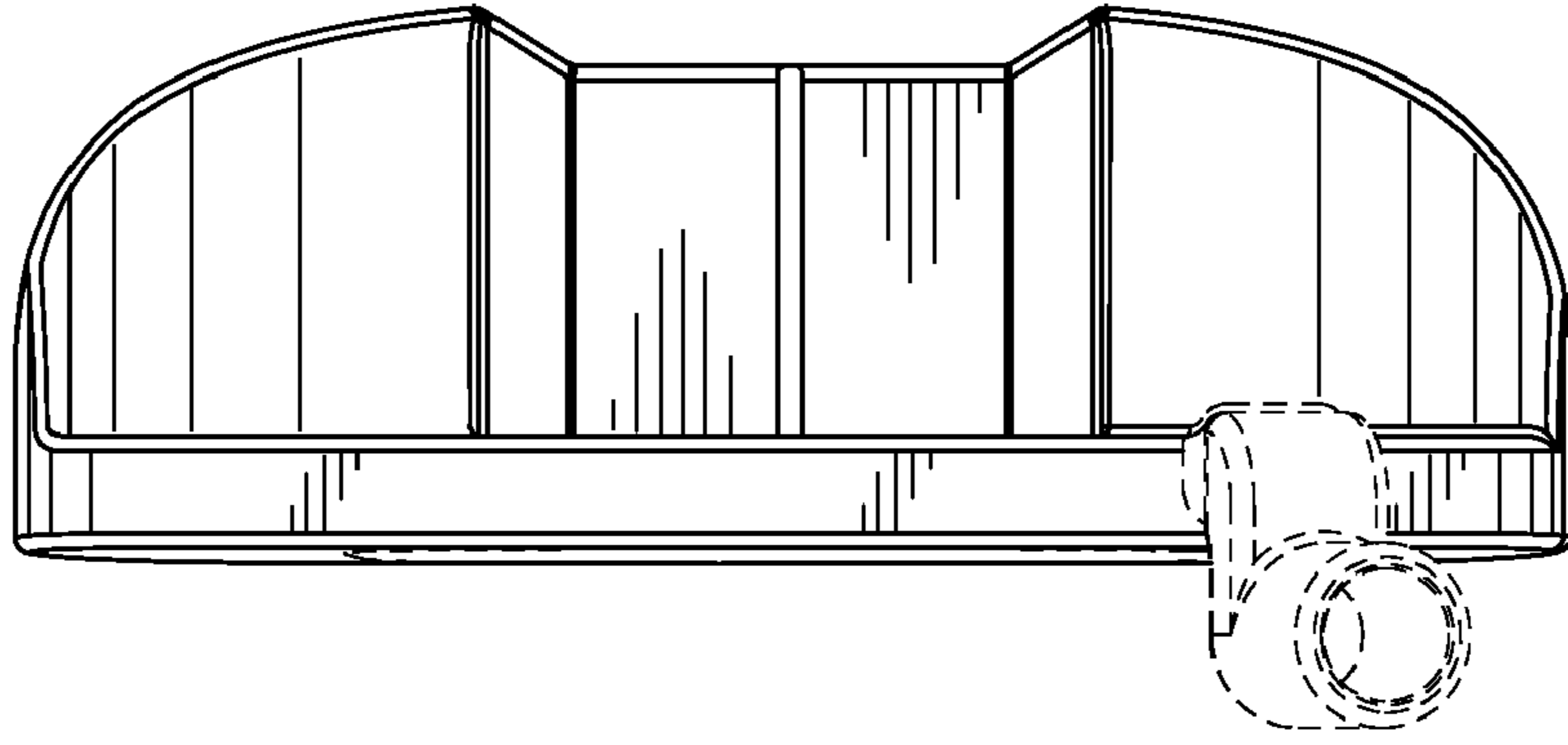


FIG. 5

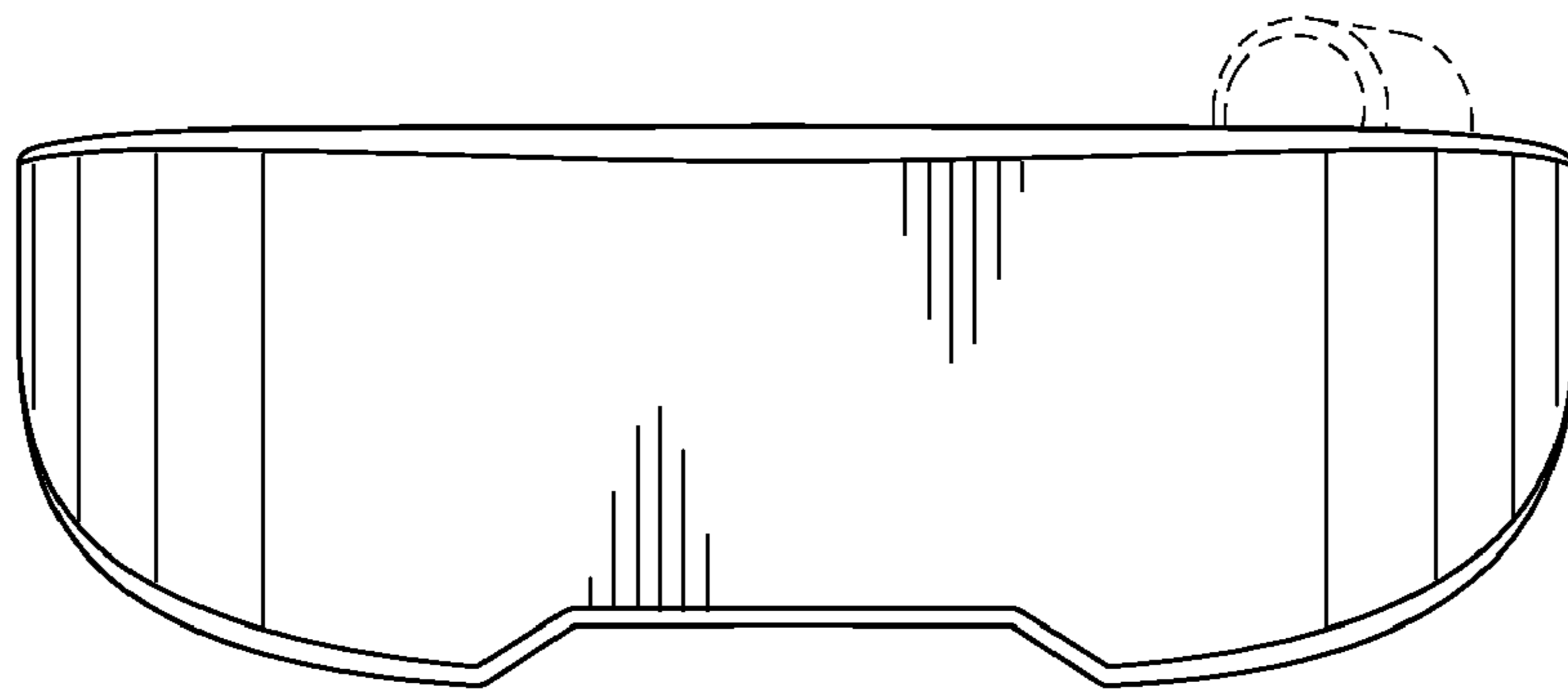


FIG. 6

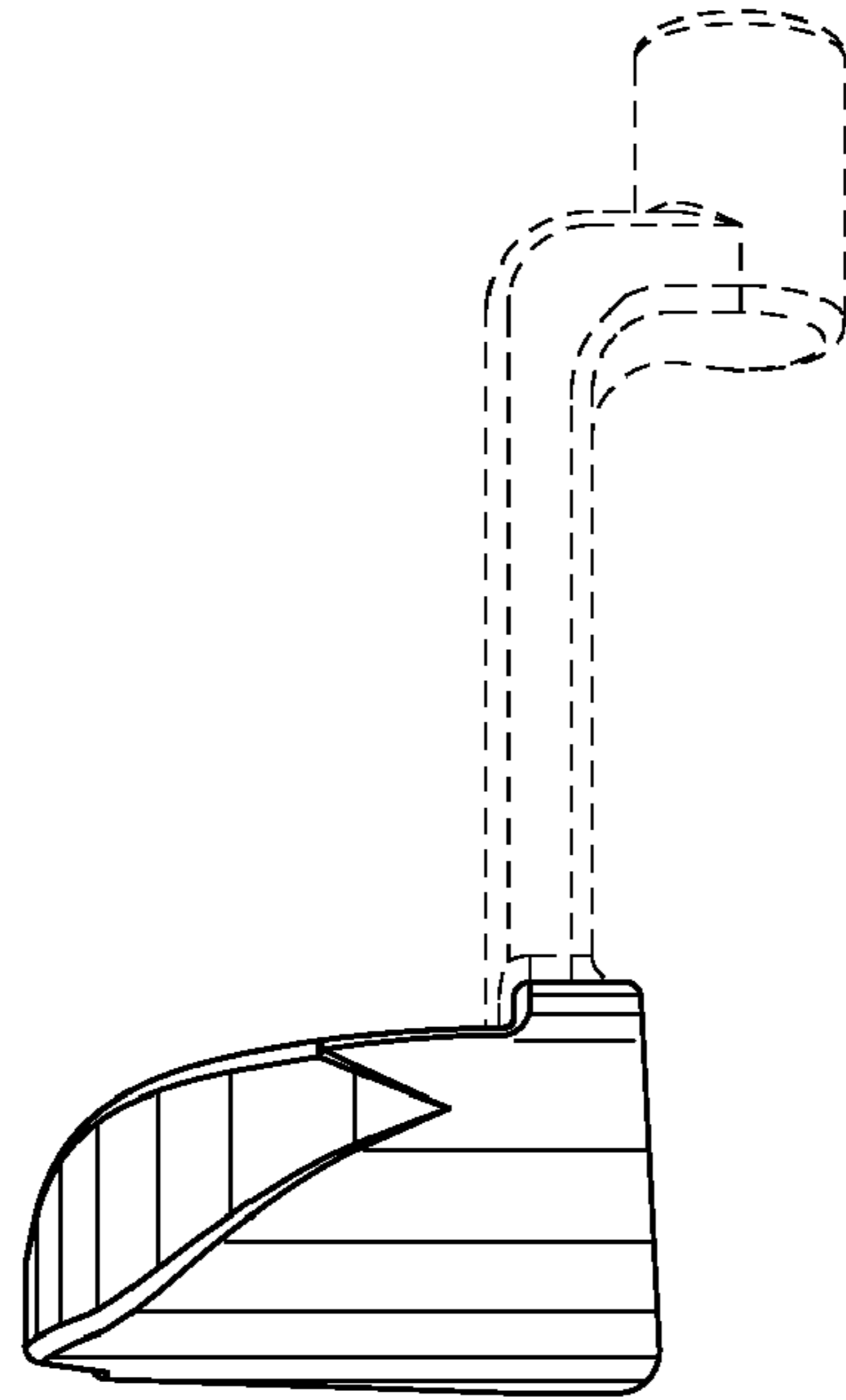


FIG. 7

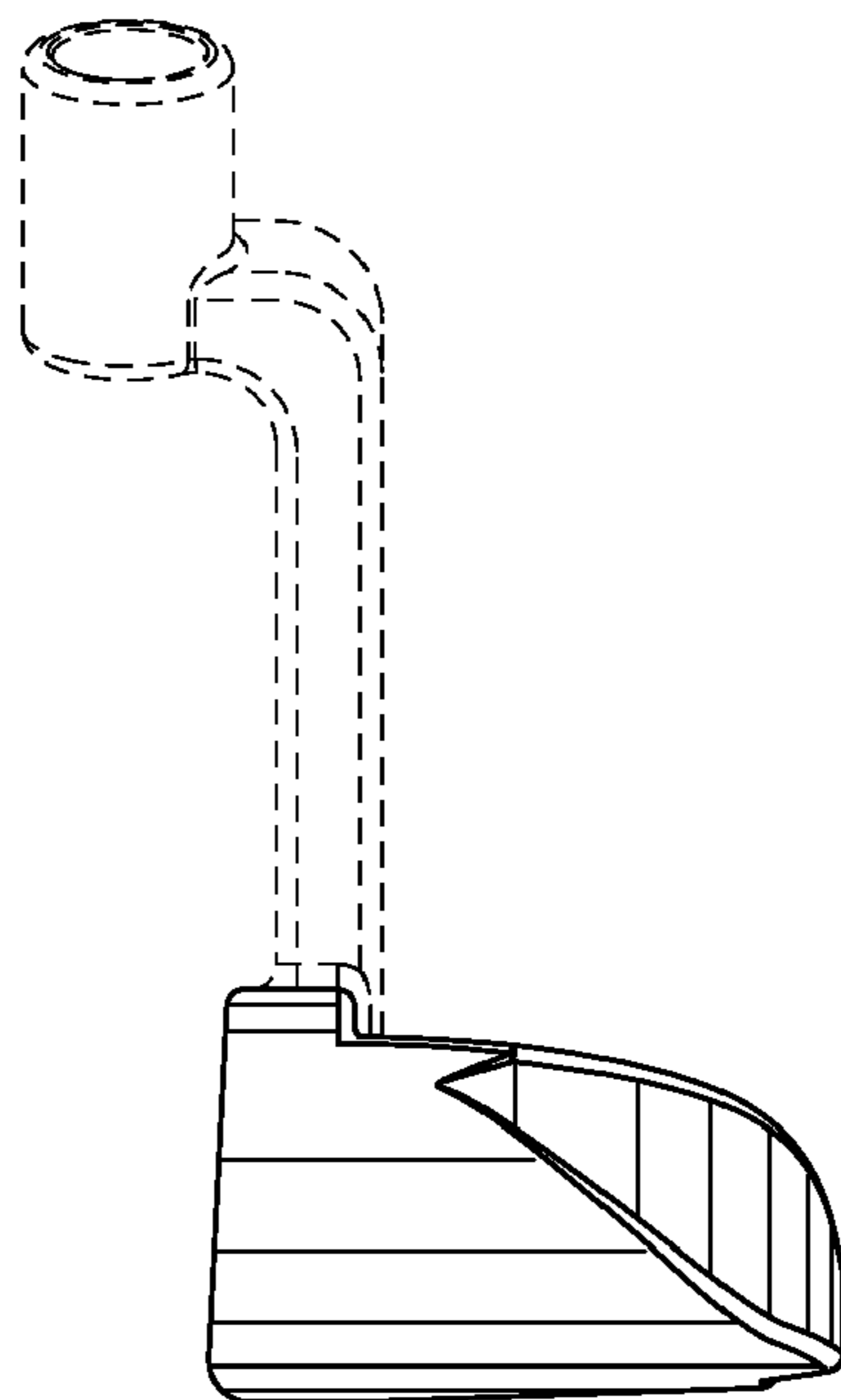


FIG. 8