



US00D650447S

(12) **United States Design Patent**
Ehara et al.

(10) **Patent No.:** **US D650,447 S**

(45) **Date of Patent:** **** Dec. 13, 2011**

(54) **PORTABLE ELECTRONIC COMPUTER**

(75) Inventors: **Yui Ehara**, Kyoto (JP); **Junichiro Miyatake**, Kyoto (JP); **Hiroki Goto**, Kyoto (JP); **Kochi Kawai**, Kyoto (JP); **Satoshi Ishibashi**, Kyoto (JP)

(73) Assignee: **Nintendo Co., Ltd.**, Kyoto (JP)

(**) Term: **14 Years**

(21) Appl. No.: **29/380,760**

(22) Filed: **Dec. 10, 2010**

(30) **Foreign Application Priority Data**

Jun. 11, 2010	(JP)	2010-014470
Jun. 11, 2010	(JP)	2010-014473
Jun. 11, 2010	(JP)	2010-014474
Nov. 5, 2010	(JP)	2010-026562

(51) **LOC (9) Cl.** **21-01**

(52) **U.S. Cl.** **D21/330; D21/333**

(58) **Field of Classification Search** D21/324-333, D21/369, 385; 273/148 B, 148 R, 461; D14/495, D14/338, 339, 348, 356, 432, 433, 471, 474, D14/137, 160, 168, 188-181, 203.1-203.8, D14/219, 265, 257; 345/156-161, 1.1; 455/344-351; 369/6-12; 463/1, 29-35, 463/46, 47; 16/321, 337; 248/176.1, 915, 248/921; 285/188, 231-234, 304, 330
See application file for complete search history.

(56) **References Cited**

U.S. PATENT DOCUMENTS

D275,971	S	10/1984	Yokoi	
4,542,103	A *	9/1985	Adams	436/534
4,542,903	A	9/1985	Yokoi et al.	
5,168,423	A *	12/1992	Ohgami et al.	361/679.07
D333,493	S	2/1993	Sato	
D378,686	S	4/1997	Proctor et al.	
5,873,554	A *	2/1999	Nobuchi	248/278.1
6,400,351	B1	6/2002	Ishizawa et al.	
6,498,721	B1 *	12/2002	Kim	361/679.06
D474,510	S	5/2003	Fayram et al.	

6,587,333	B2 *	7/2003	Tseng et al.	361/679.05
D484,918	S *	1/2004	Okada et al.	D21/330
D494,190	S	8/2004	Hong et al.	
6,771,494	B2 *	8/2004	Shimano	361/679.06
6,850,407	B2	2/2005	Tanimoto et al.	
6,958,902	B2 *	10/2005	Tseng et al.	361/679.06
D524,870	S *	7/2006	Sugino et al.	D21/330
D532,051	S *	11/2006	Sugino et al.	D21/330
D536,382	S	2/2007	Sugino et al.	
D554,194	S	10/2007	Ehara et al.	
D555,667	S *	11/2007	Hussaini et al.	D14/496
D607,946	S *	1/2010	Ehara et al.	D21/330
D641,049	S *	7/2011	Ehara et al.	D21/330

* cited by examiner

Primary Examiner — Prabhakar Deshmukh

(74) *Attorney, Agent, or Firm* — Nixon & Vanderhye, P.C.

(57) **CLAIM**

The ornamental design for a portable electronic computer, as shown and described.

DESCRIPTION

FIG. 1 is front, bottom and right perspective view of a portable electronic computer showing a first embodiment of our new design, a lid with display being opened;

FIG. 2 is rear, top and left perspective view thereof;

FIG. 3 is a front view thereof;

FIG. 4 is a rear view thereof;

FIG. 5 is a top plan view thereof;

FIG. 6 is a bottom plan view thereof;

FIG. 7 is a left side view thereof;

FIG. 8 is a right side view thereof;

FIG. 9 is a front, bottom and right perspective view of thereof, the lid with display being closed;

FIG. 10 is a front view thereof;

FIG. 11 is a rear plan view thereof;

FIG. 12 is a top plan view thereof;

FIG. 13 is a bottom plan view thereof;

FIG. 14 is a left side view thereof;

FIG. 15 is a right side view thereof;

FIG. 16 is front, bottom and right perspective view of a portable electronic computer showing a second embodiment of our new design, a lid with display being opened;

FIG. 17 is rear, top and left perspective view thereof;

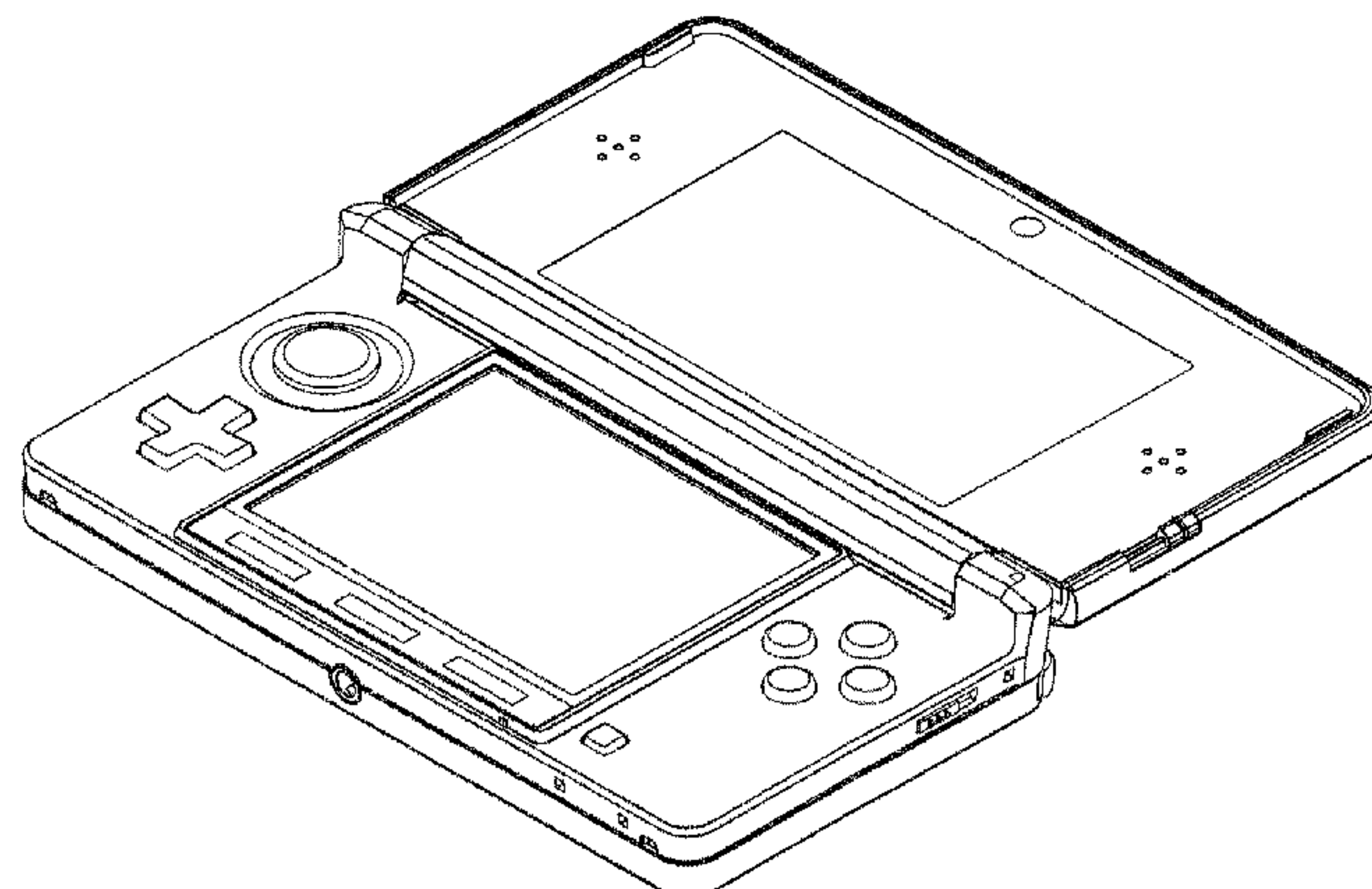


FIG. 18 is a front view thereof;
FIG. 19 is a rear view thereof;
FIG. 20 is a top plan view thereof;
FIG. 21 is a bottom plan view thereof;
FIG. 22 is a left side view thereof;
FIG. 23 is a right side view thereof;
FIG. 24 is a front, bottom and right perspective view of thereof, the lid with display being closed;
FIG. 25 is a front view thereof;
FIG. 26 is a rear plan view thereof;
FIG. 27 is a top plan view thereof;
FIG. 28 is a bottom plan view thereof;
FIG. 29 is a left side view thereof;
FIG. 30 is a right side view thereof;
FIG. 31 is front, bottom and right perspective view of a portable electronic computer showing a third embodiment of our new design, a lid with display being opened;

FIG. 32 is rear, top and left perspective view thereof;
FIG. 33 is a front view thereof;
FIG. 34 is a rear view thereof;
FIG. 35 is a top plan view thereof;
FIG. 36 is a bottom plan view thereof;
FIG. 37 is a left side view thereof;
FIG. 38 is a right side view thereof;
FIG. 39 is a front, bottom and right perspective view of thereof, the lid with display being closed;
FIG. 40 is a front view thereof;
FIG. 41 is a rear plan view thereof;
FIG. 42 is a top plan view thereof;
FIG. 43 is a bottom plan view thereof;
FIG. 44 is a left side view thereof; and,
FIG. 45 is a right side view thereof.

1 Claim, 18 Drawing Sheets

FIG. 1

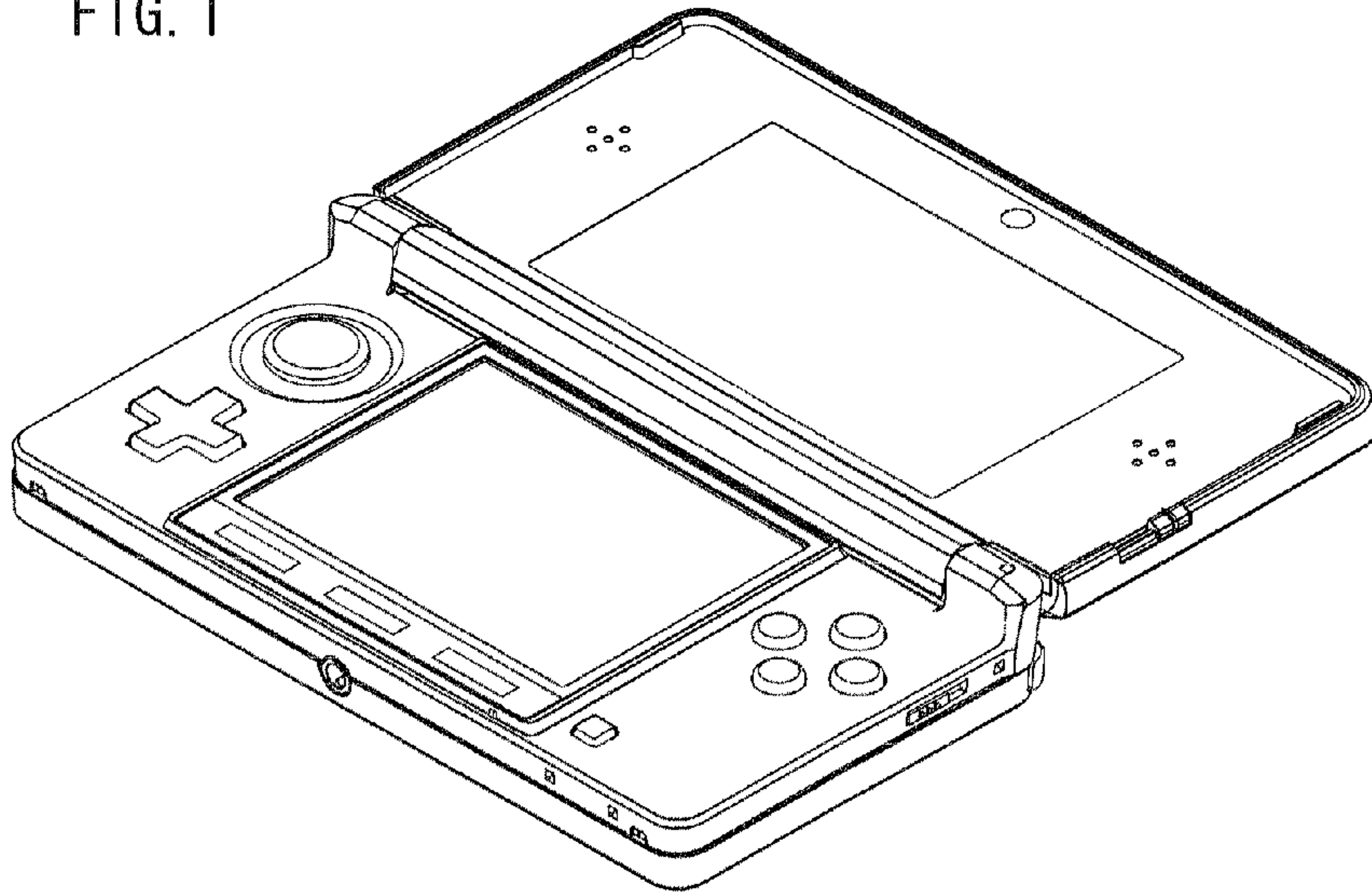


FIG. 2

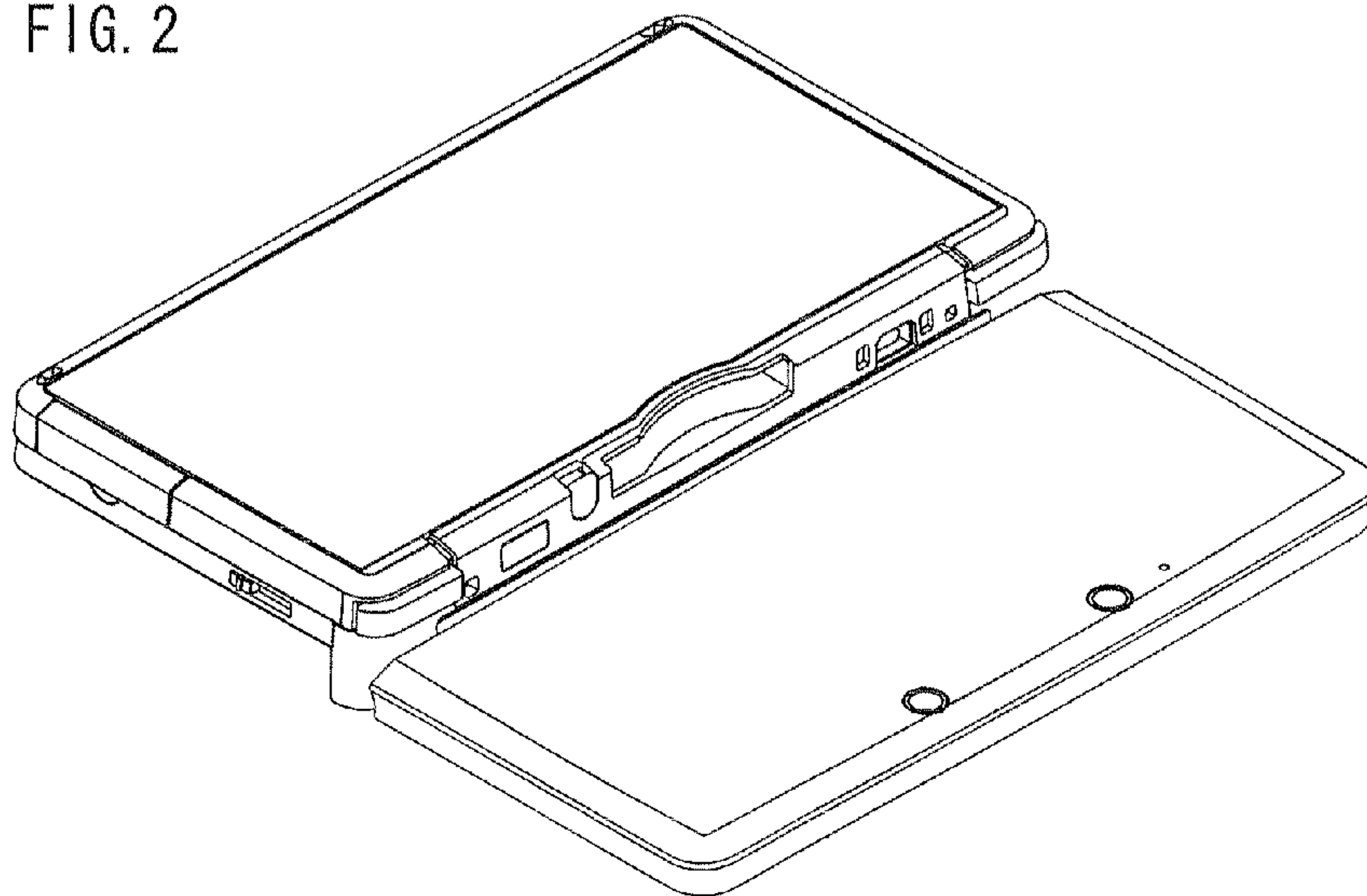


FIG. 3

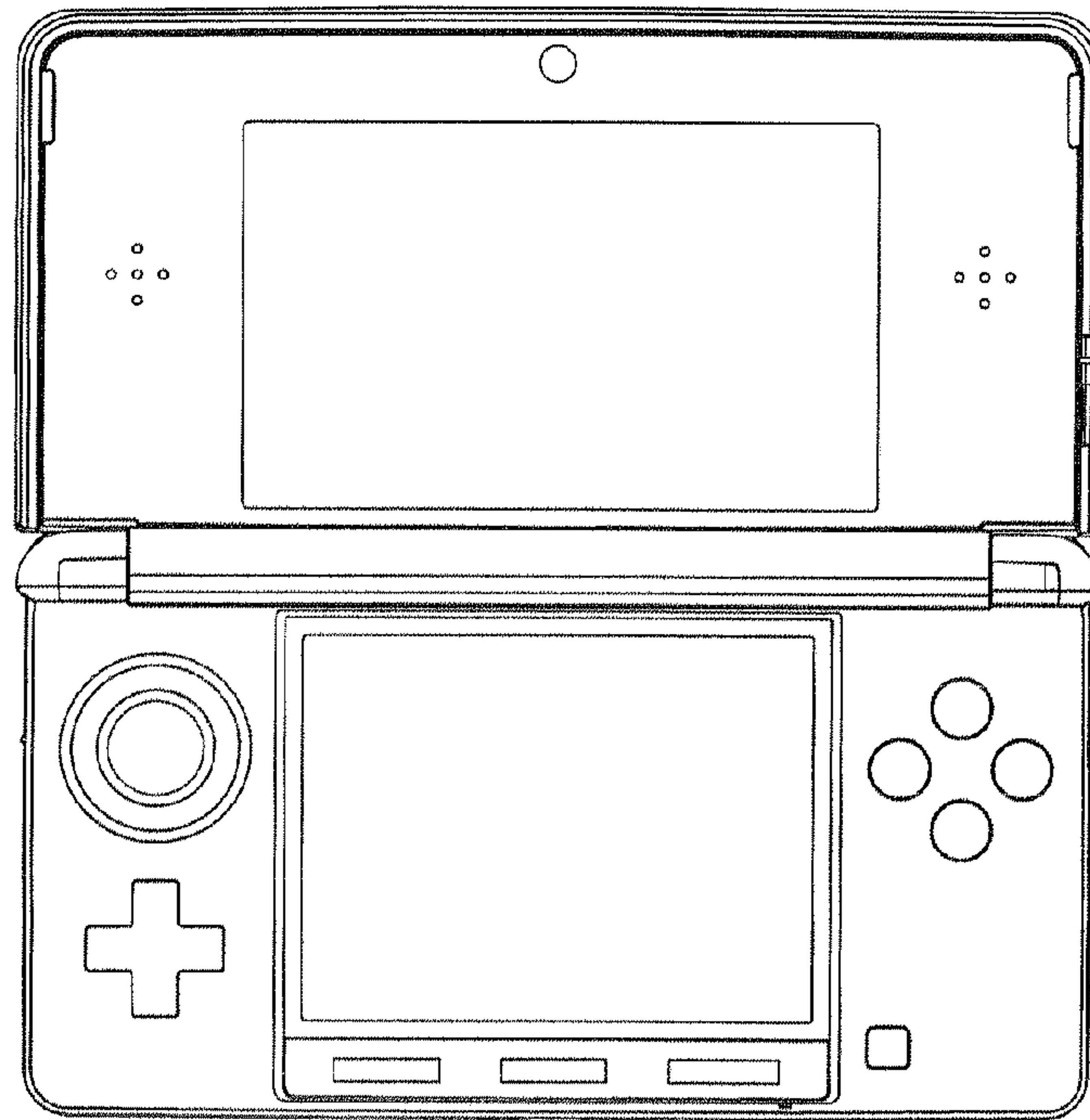


FIG. 4

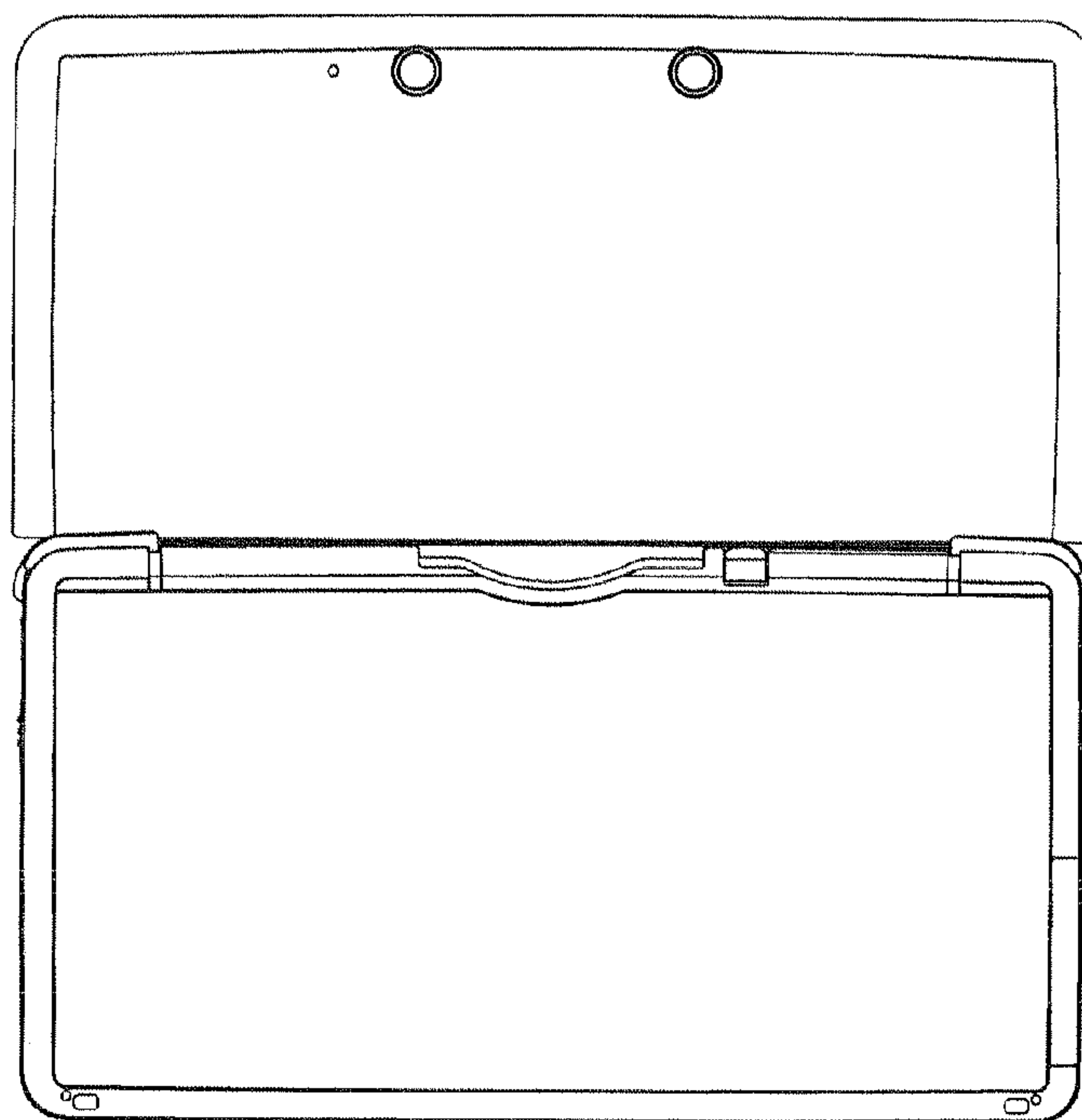


FIG. 5

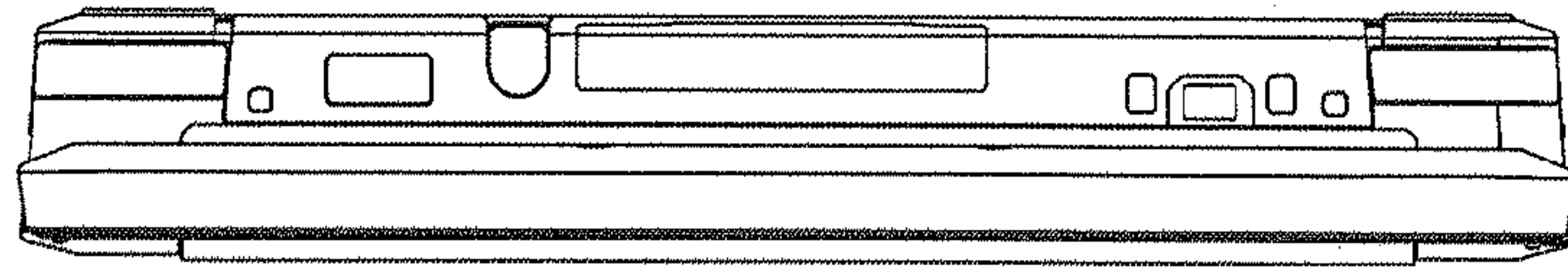


FIG. 6

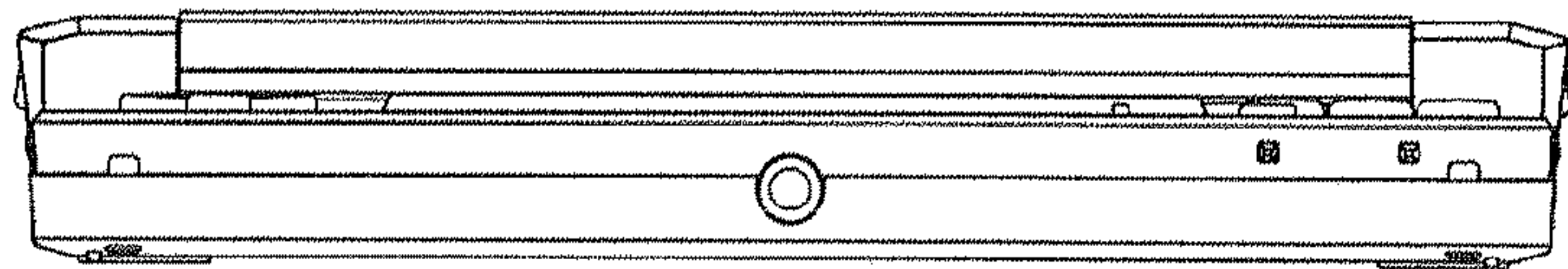


FIG. 7

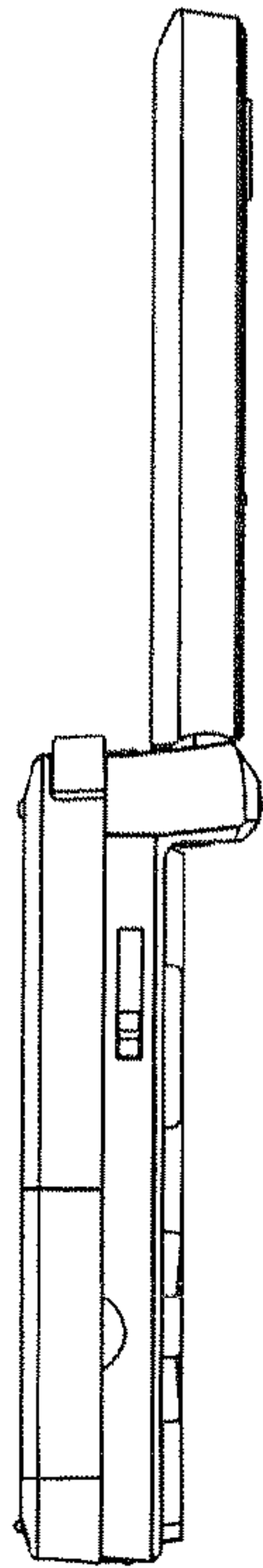


FIG. 8

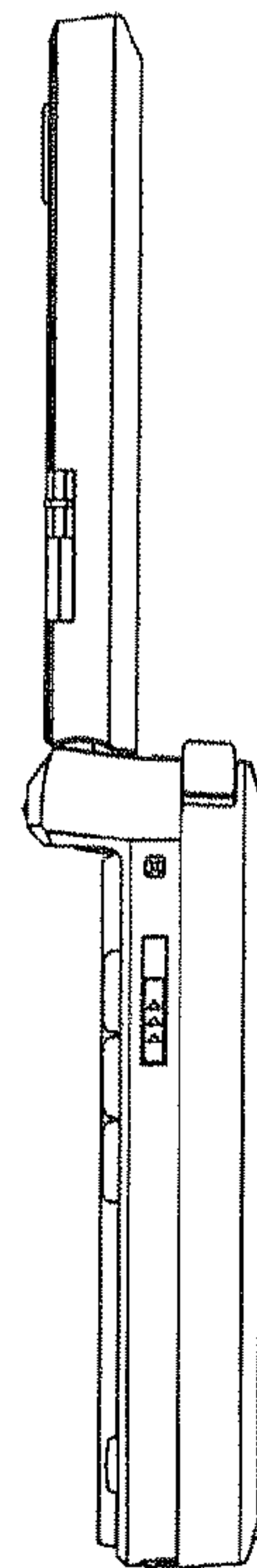


FIG. 9

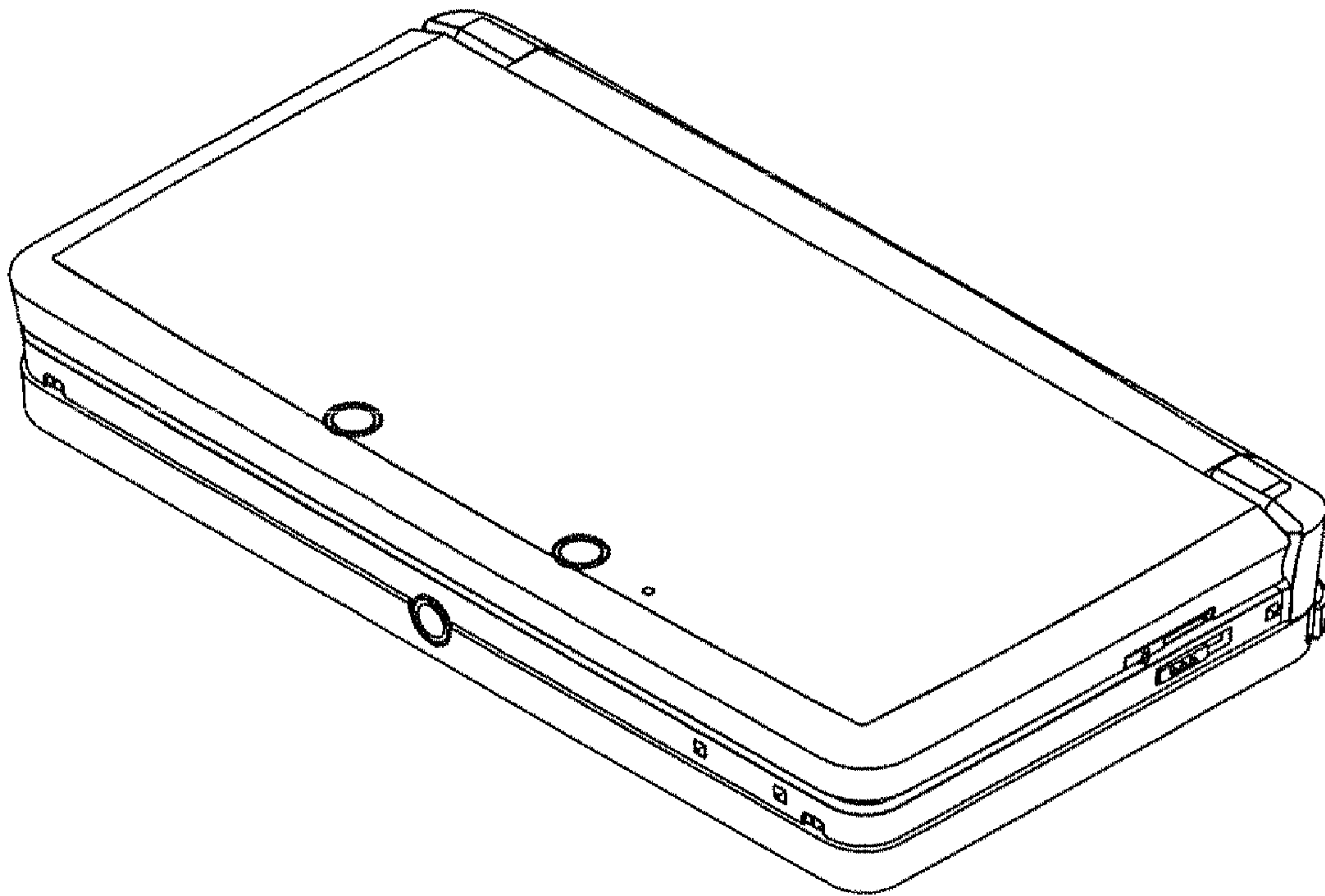


FIG. 10

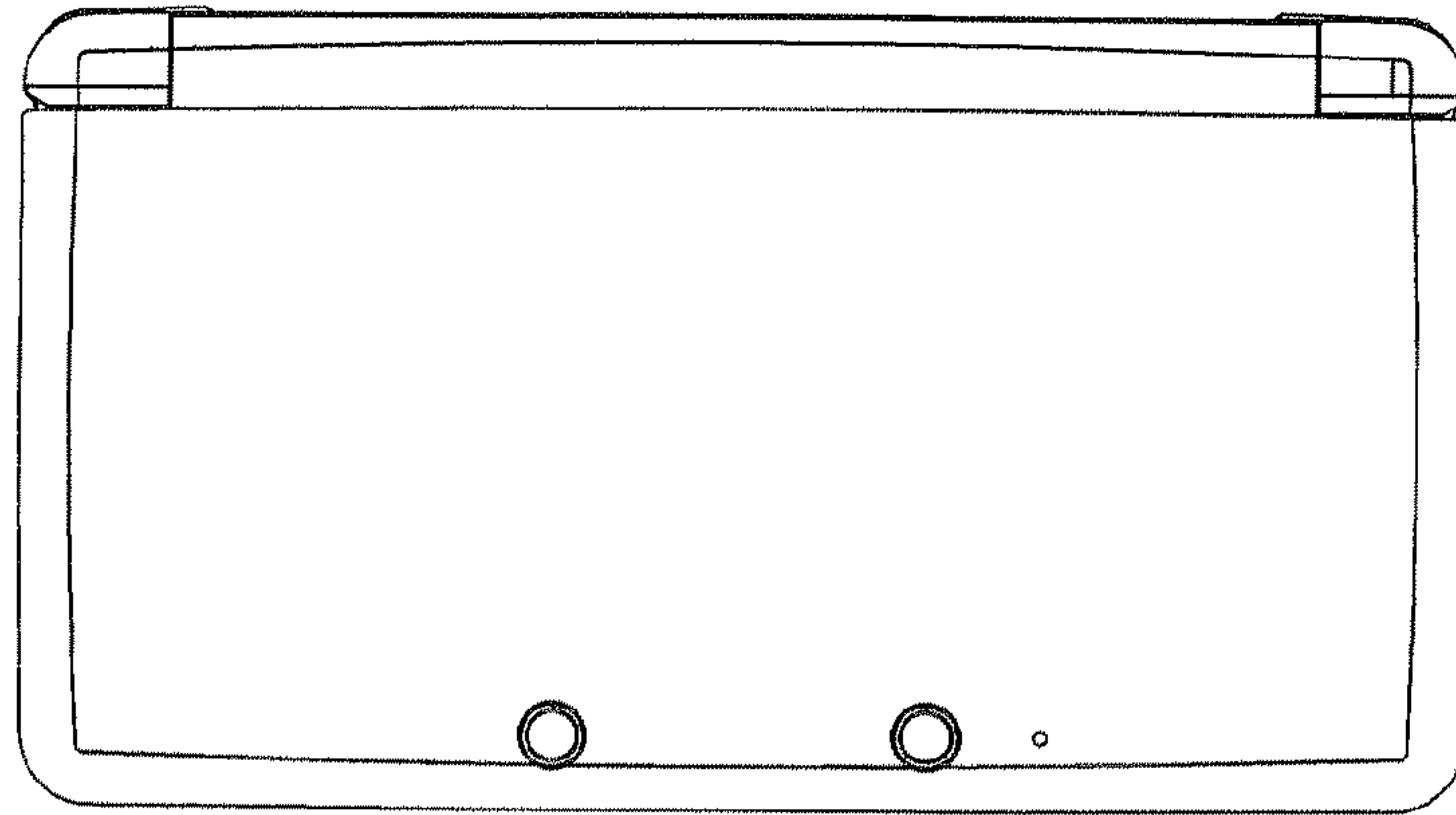


FIG. 11

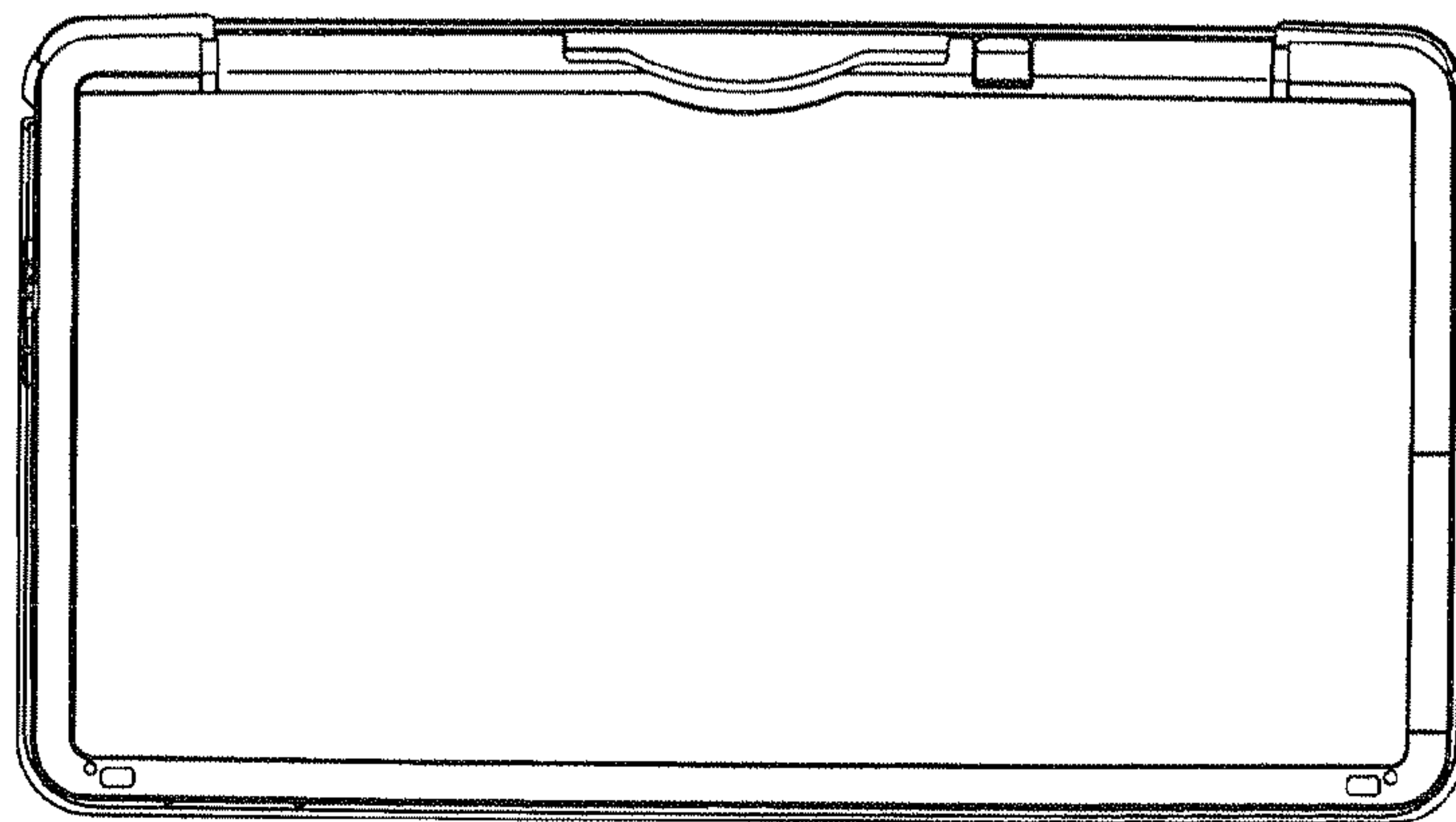


FIG. 12

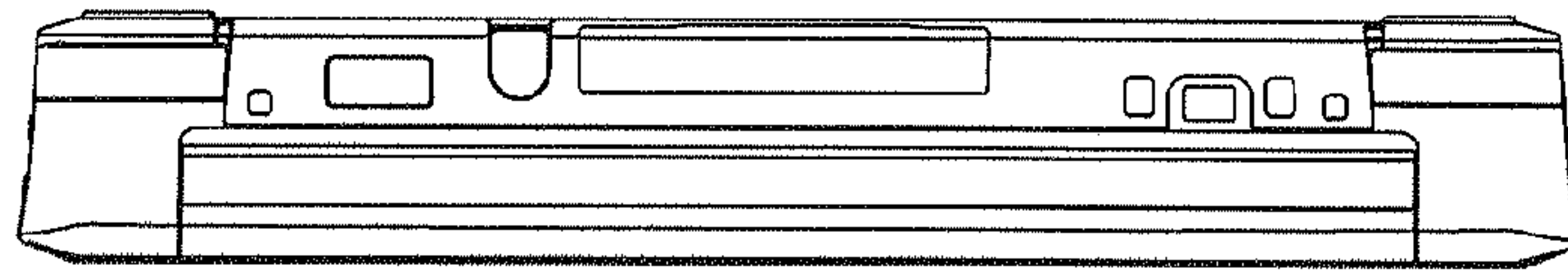


FIG. 13

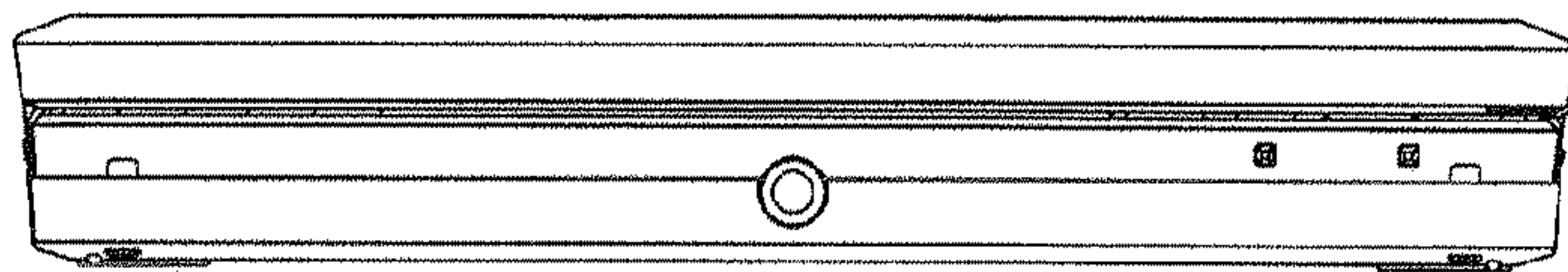


FIG. 14

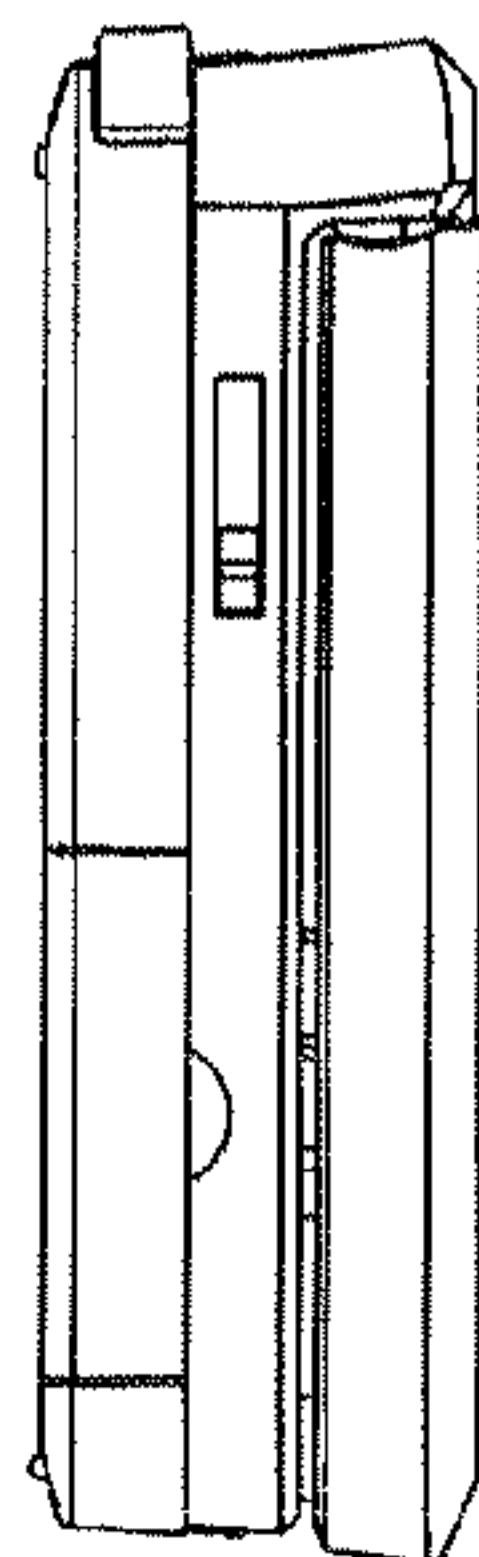


FIG. 15

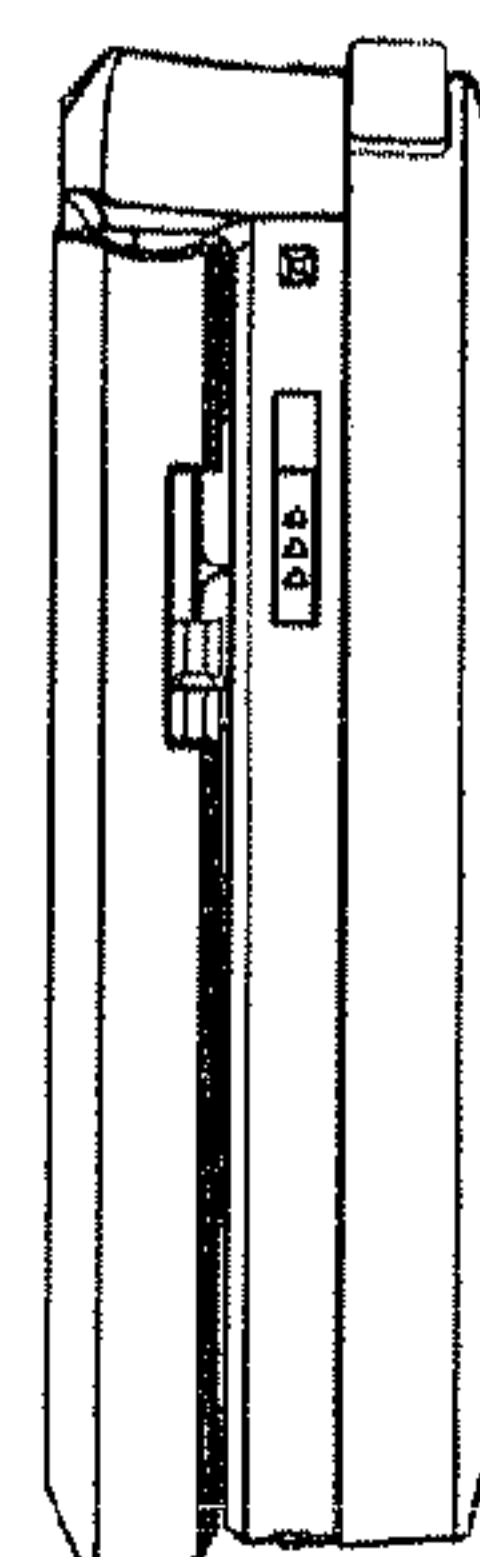


FIG. 16

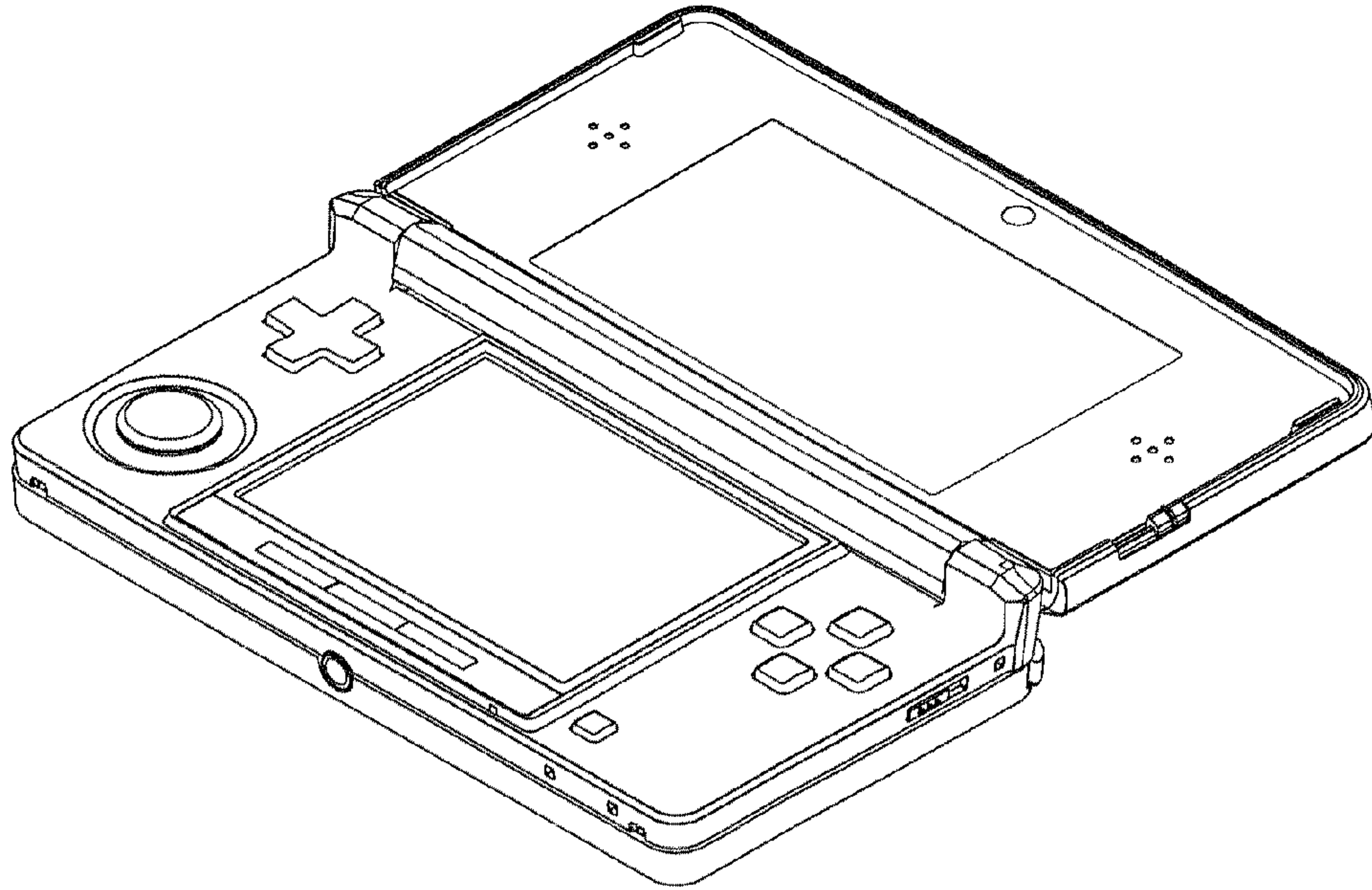


FIG. 17

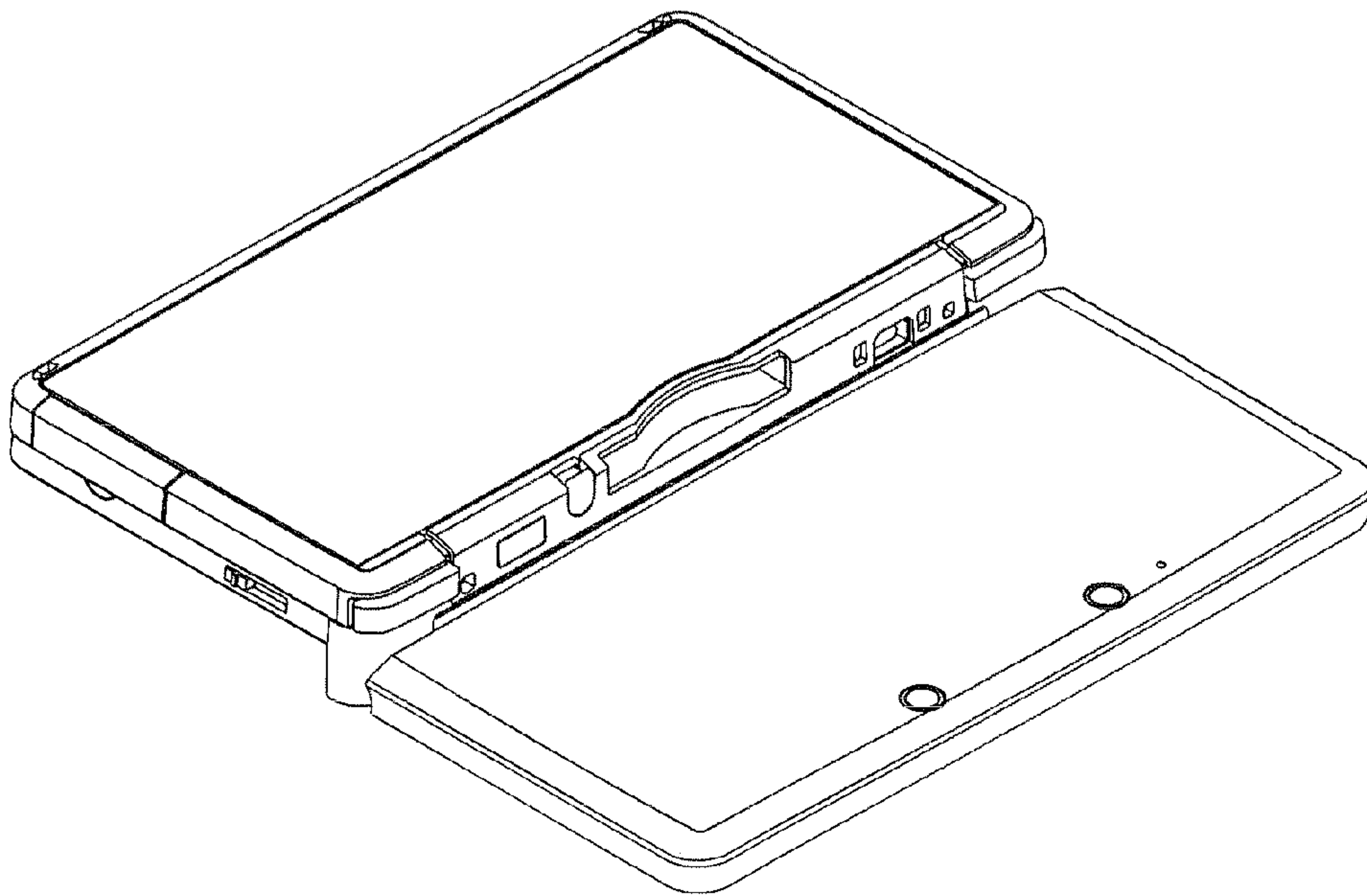


FIG. 18

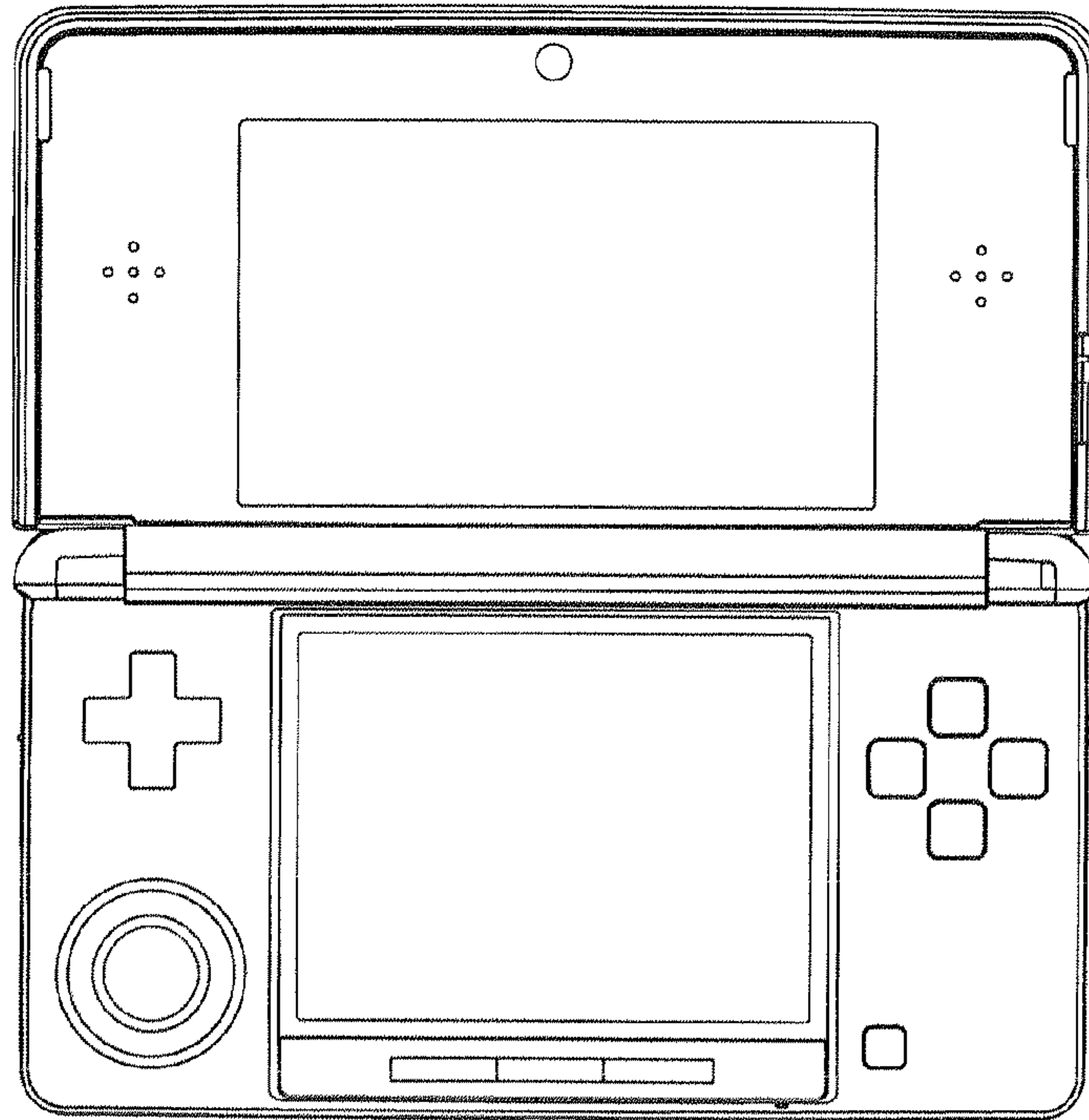


FIG. 19

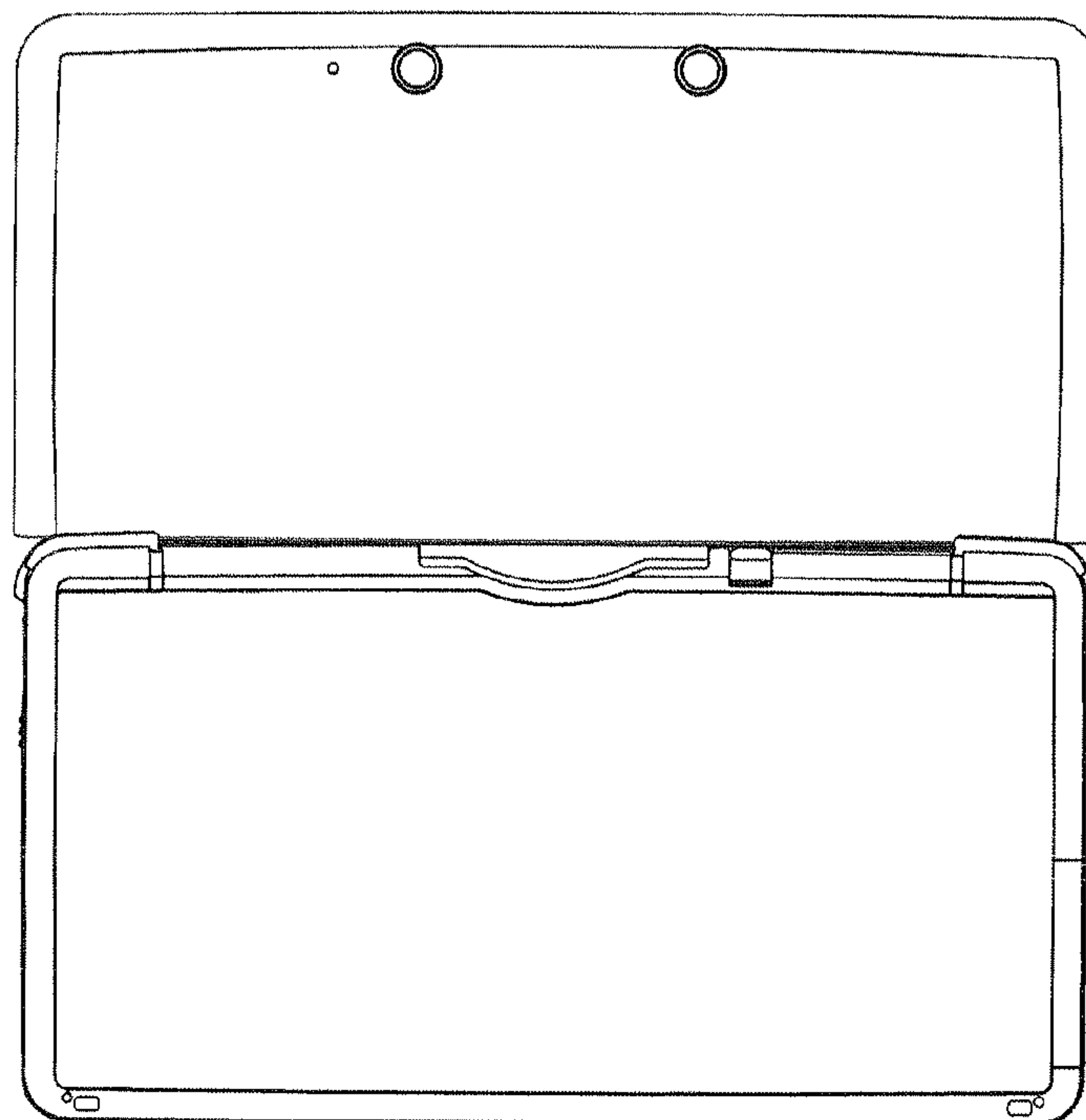


FIG. 20

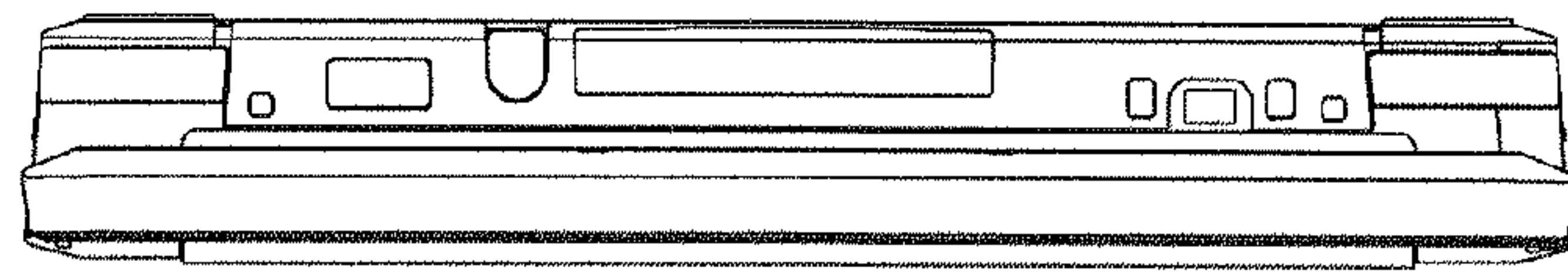


FIG. 21

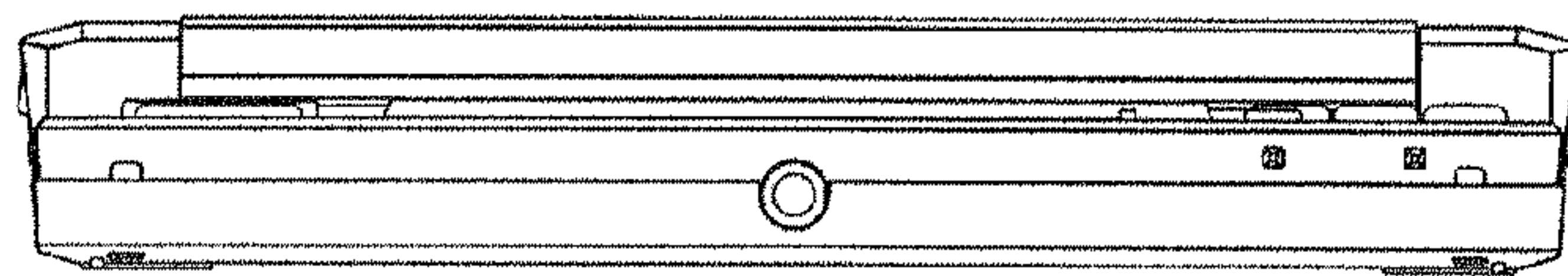


FIG. 22

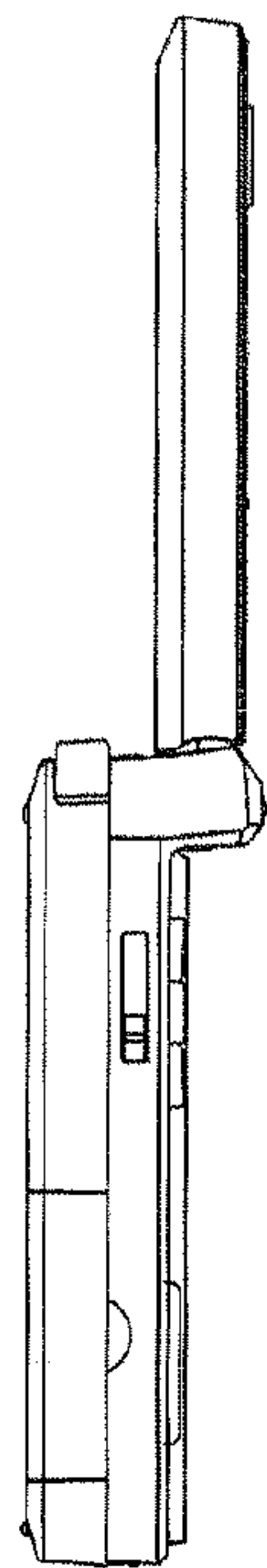


FIG. 23

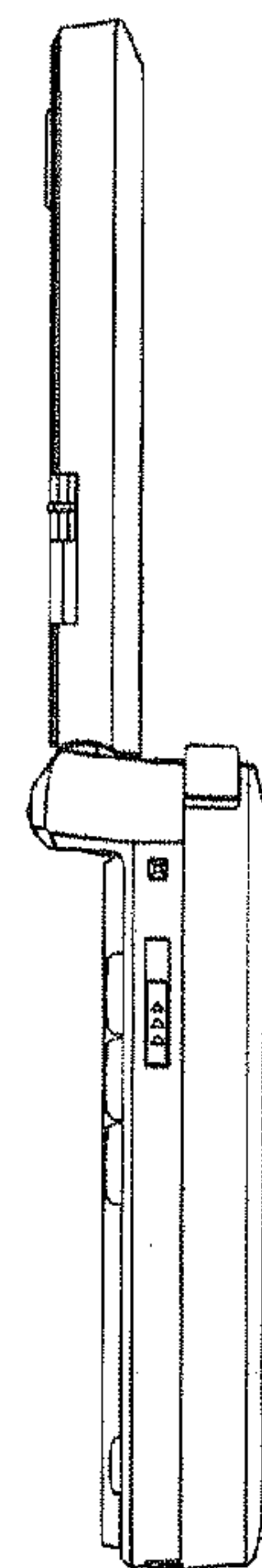


FIG. 24

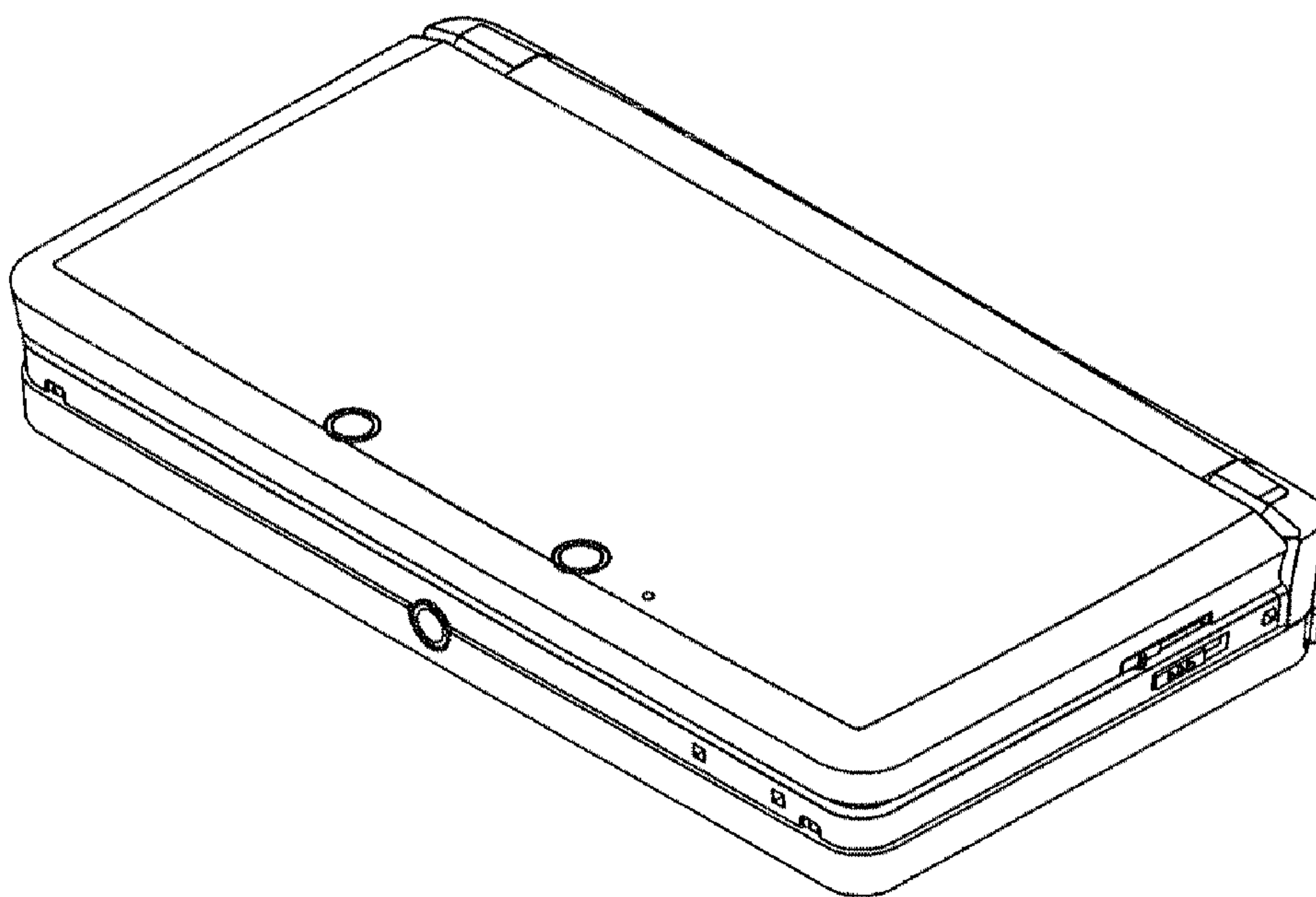


FIG. 25

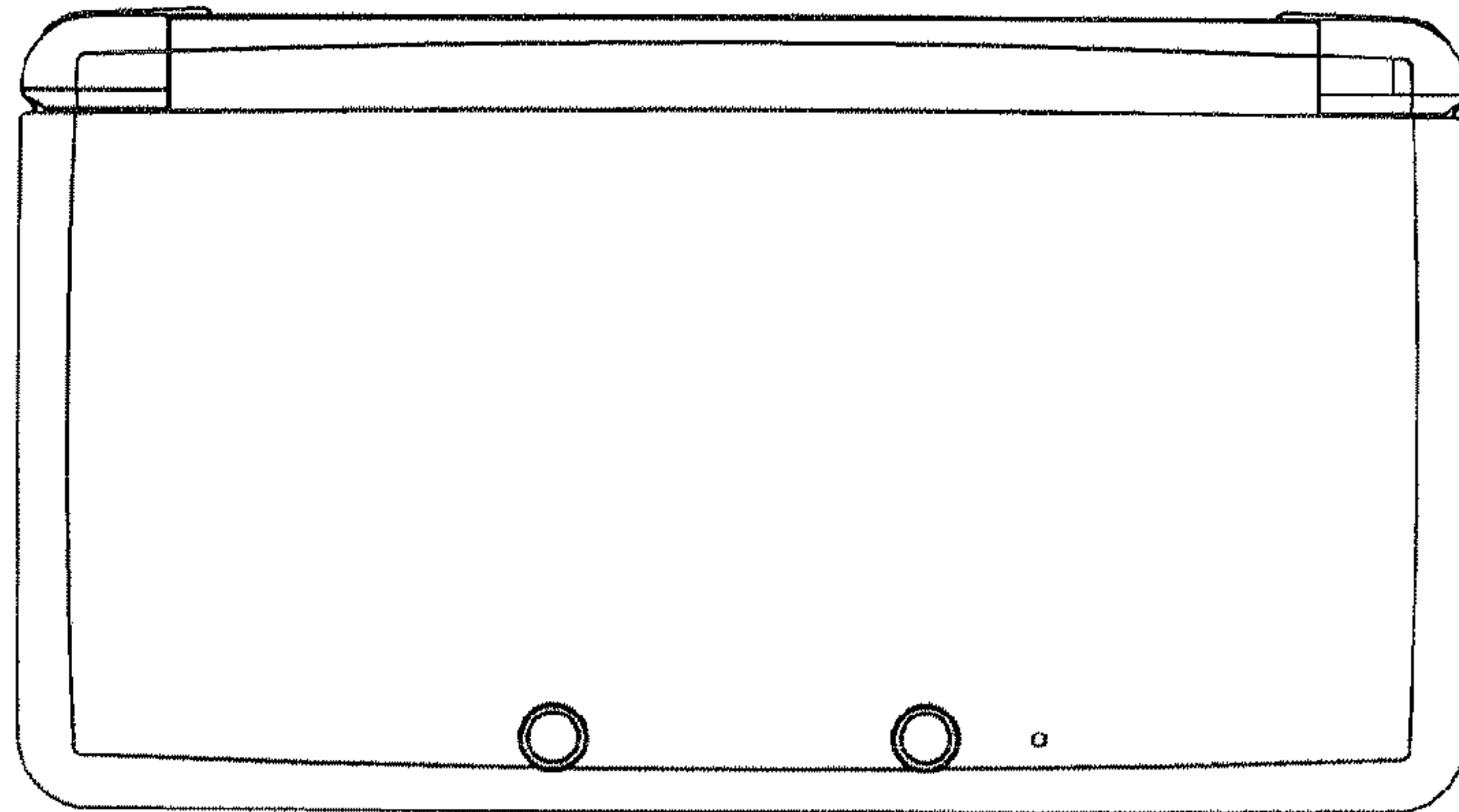


FIG. 26

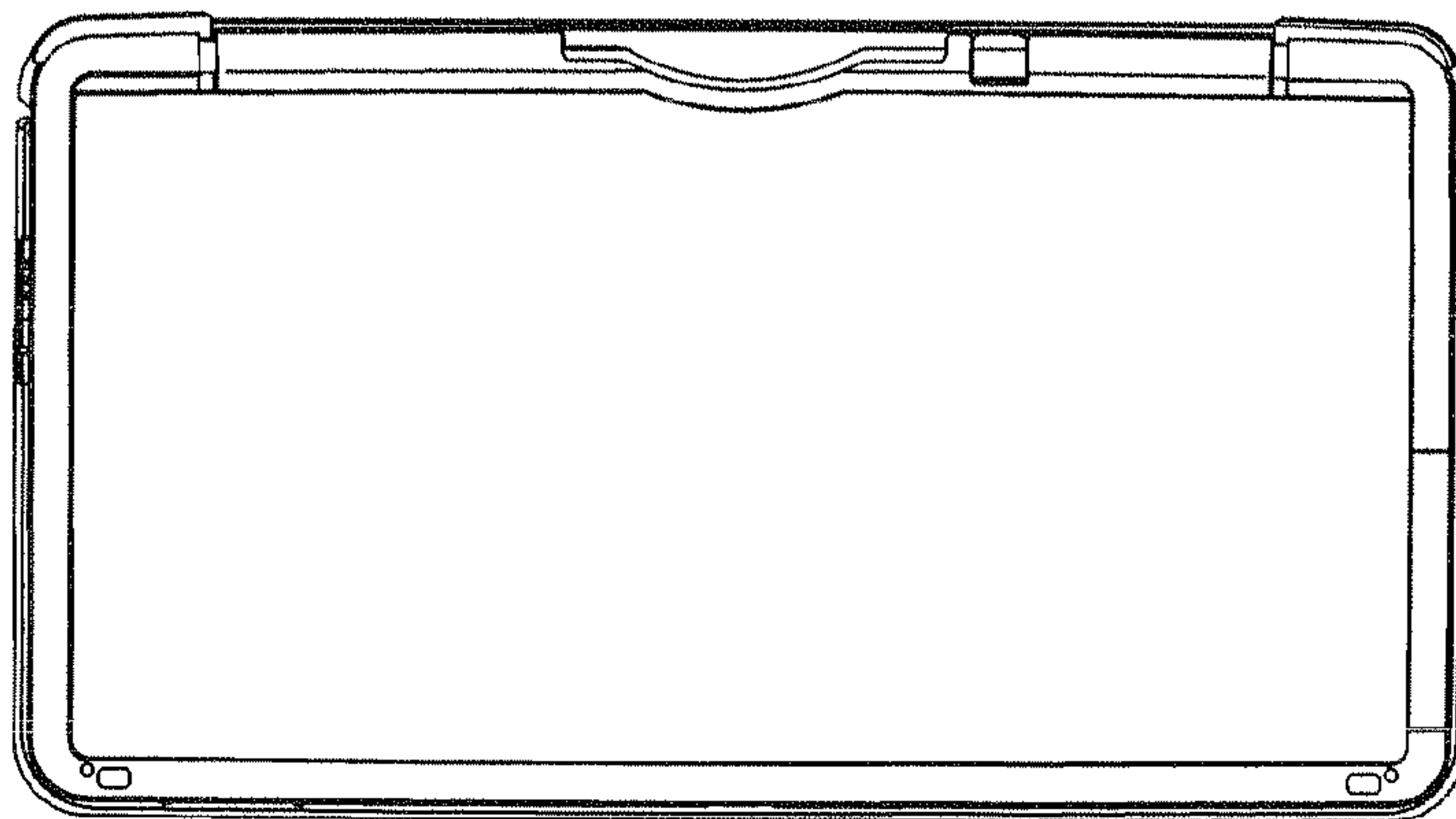


FIG. 27

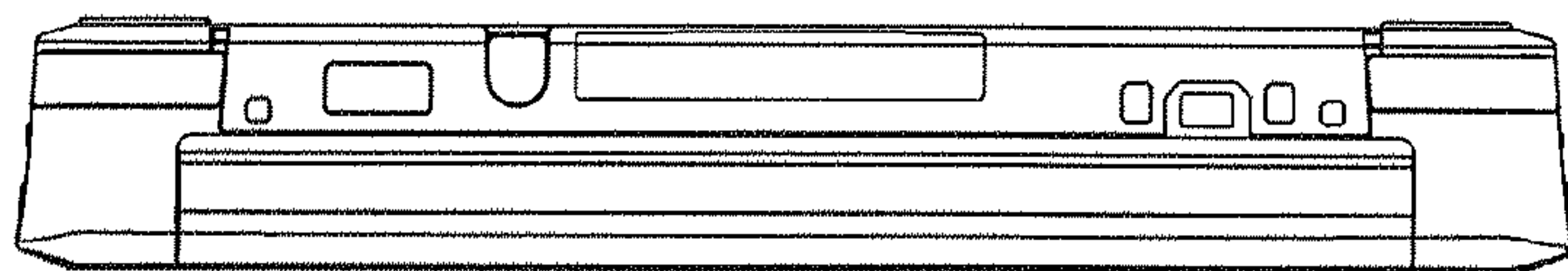


FIG. 28

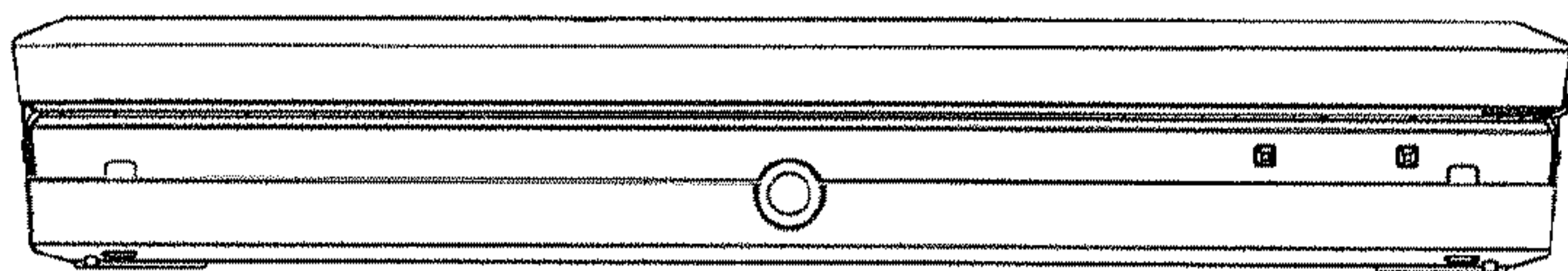


FIG. 29

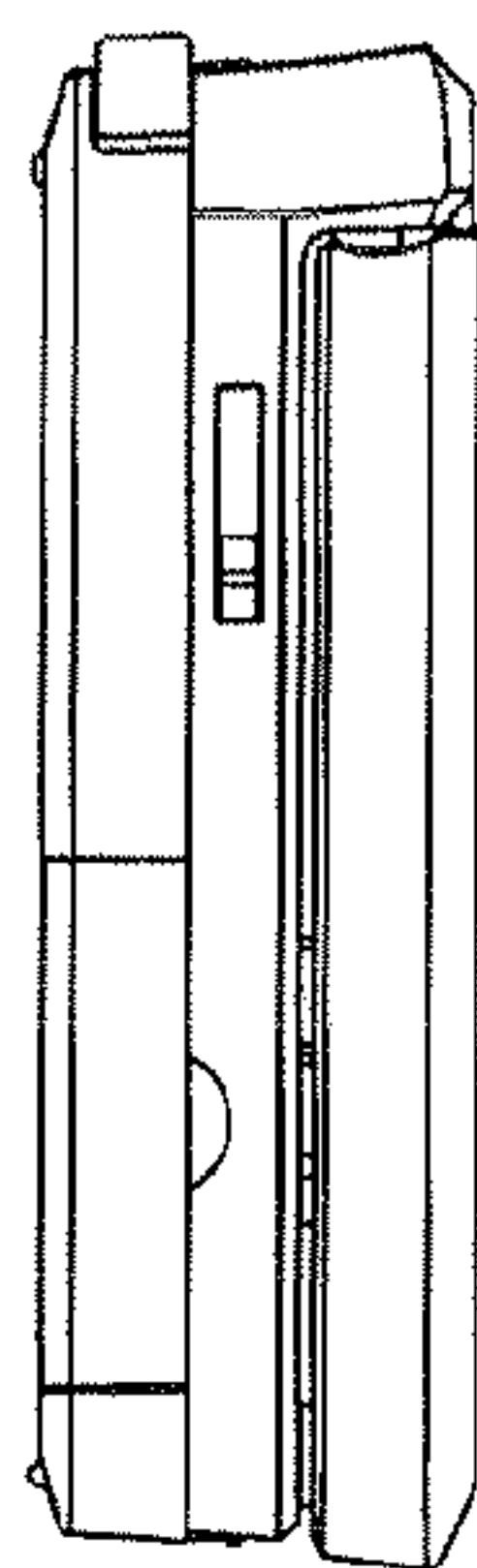


FIG. 30

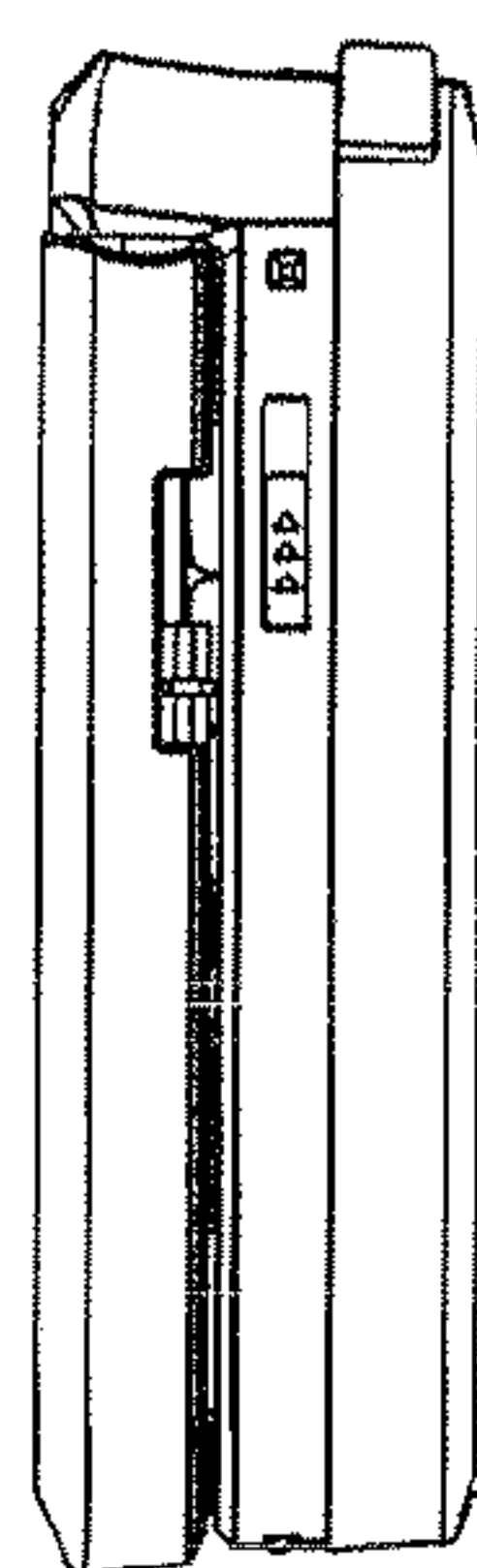


FIG. 31

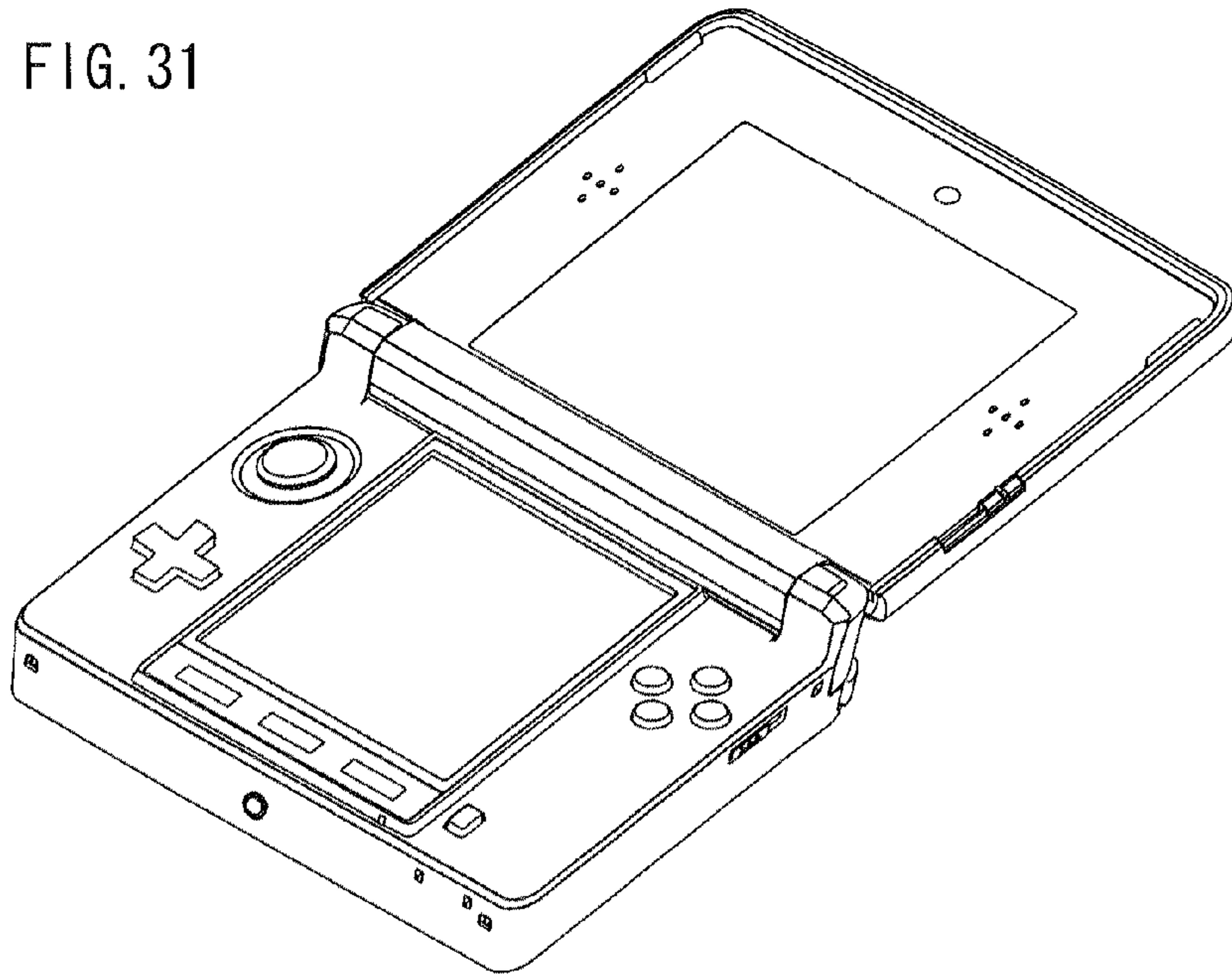


FIG. 32

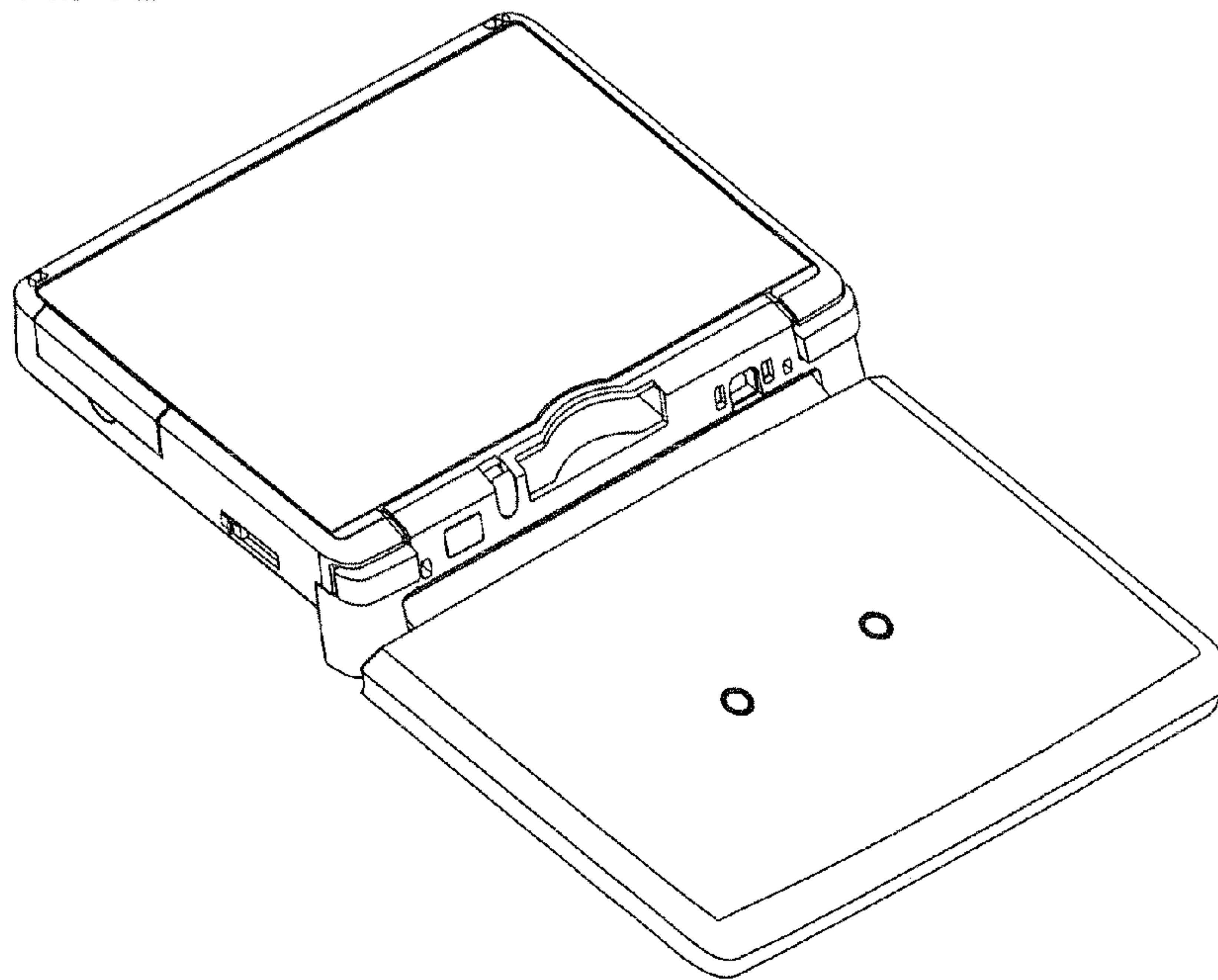


FIG. 33

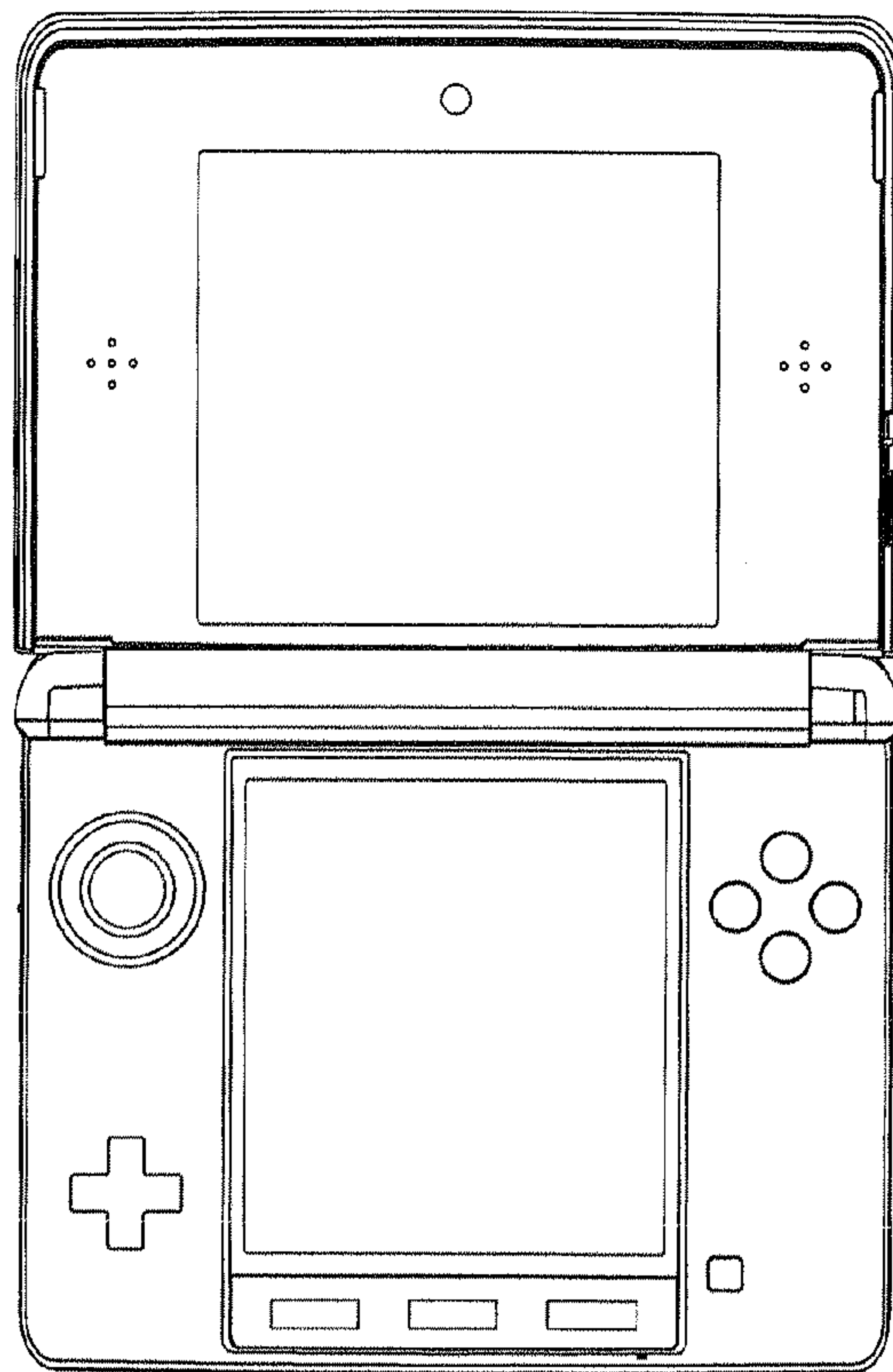


FIG. 34

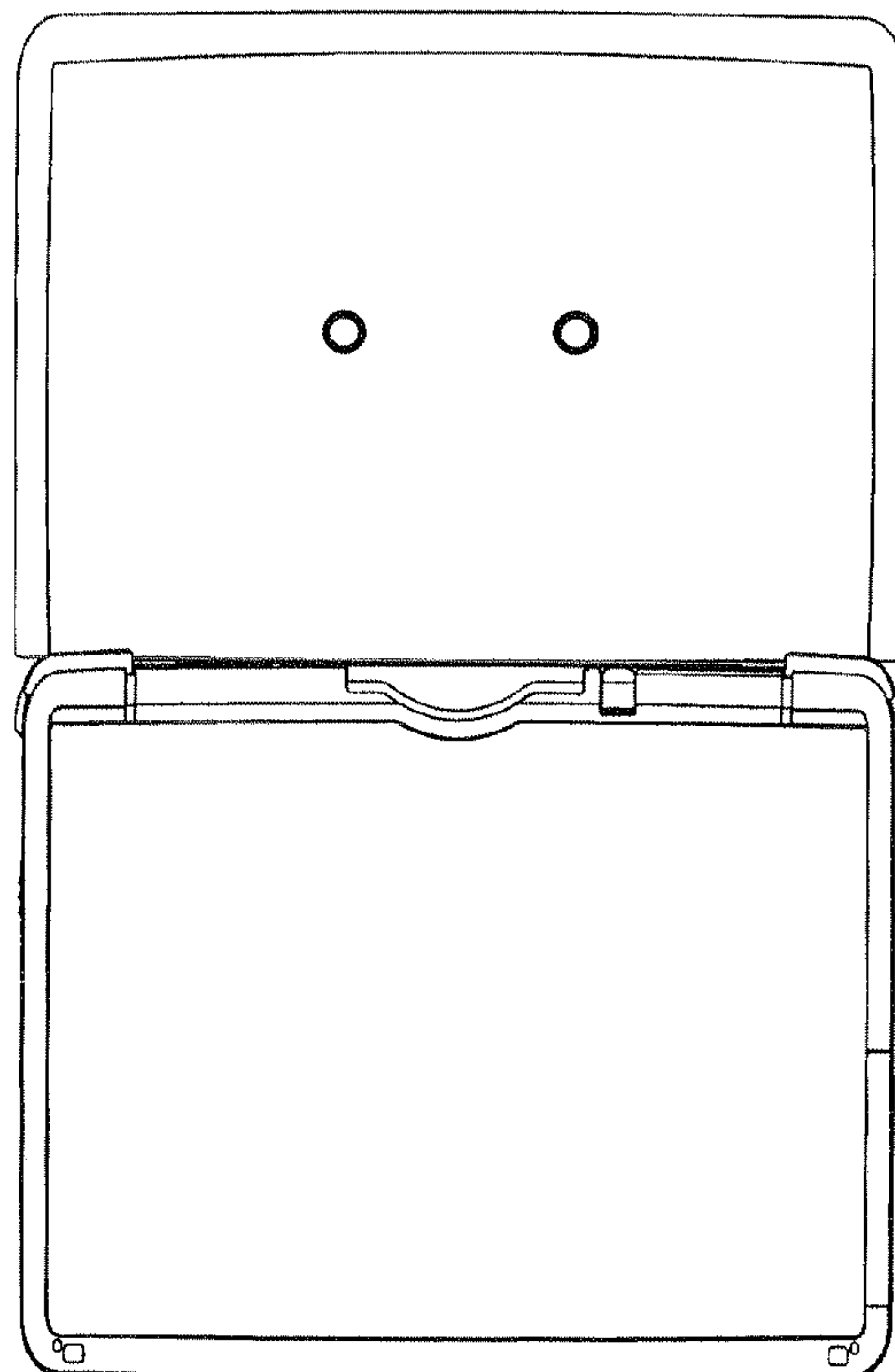


FIG. 35

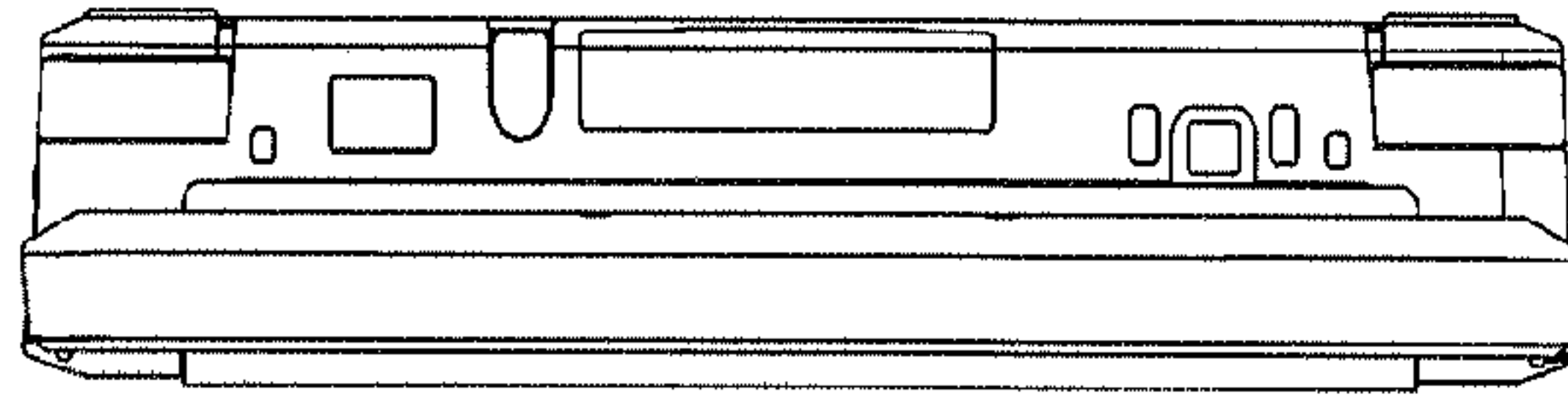


FIG. 36

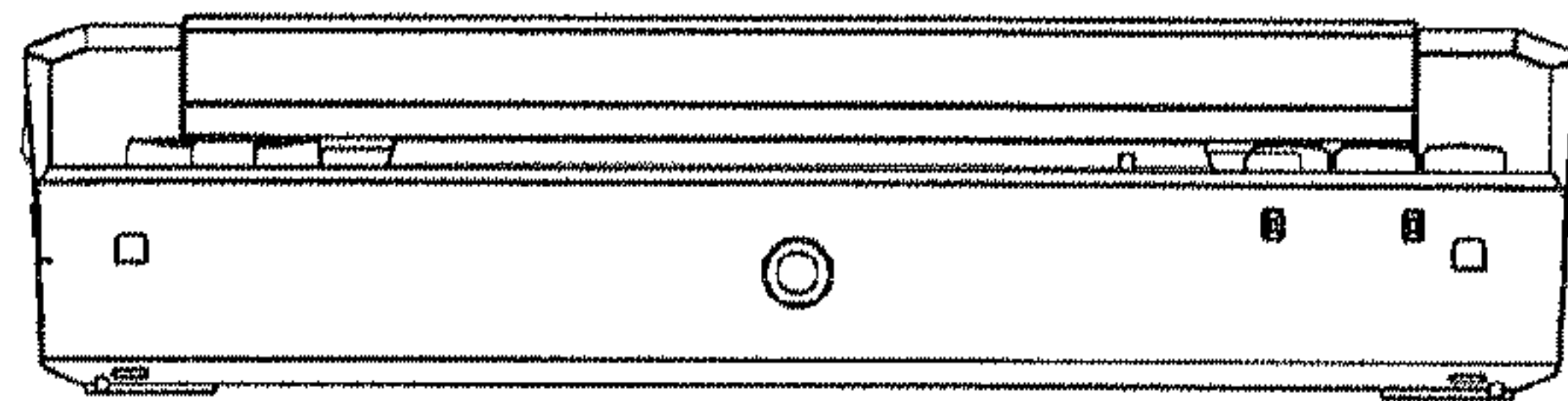


FIG. 37

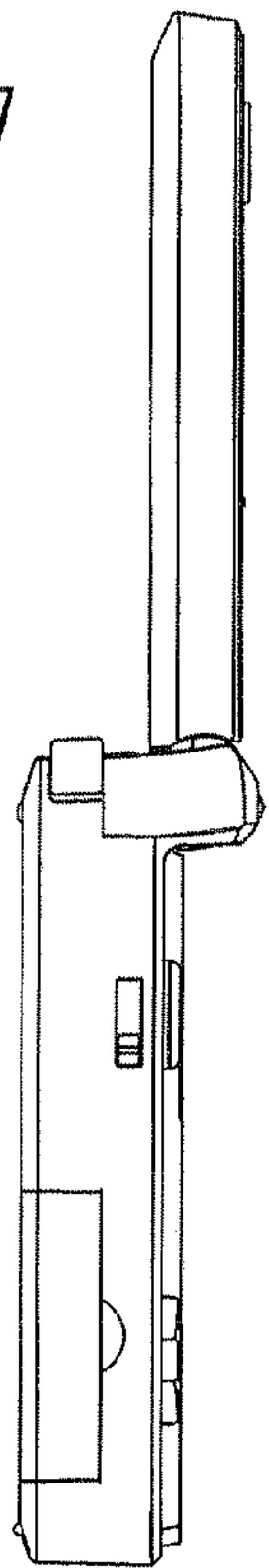


FIG. 38

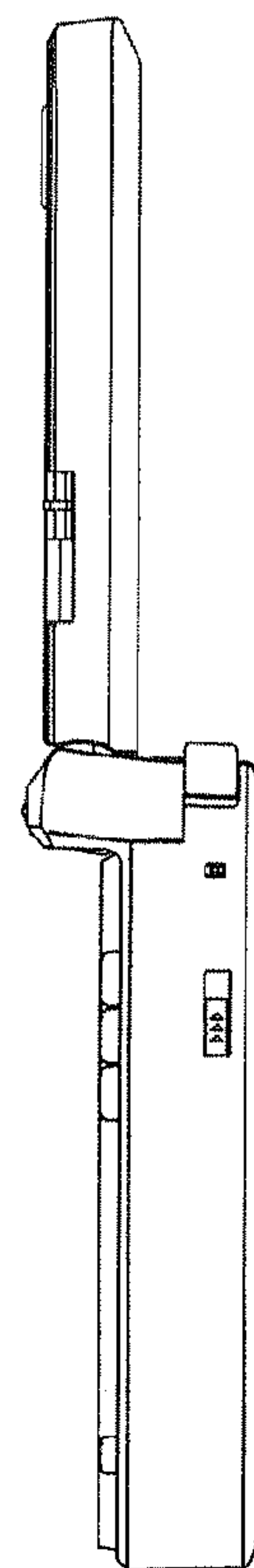


FIG. 39

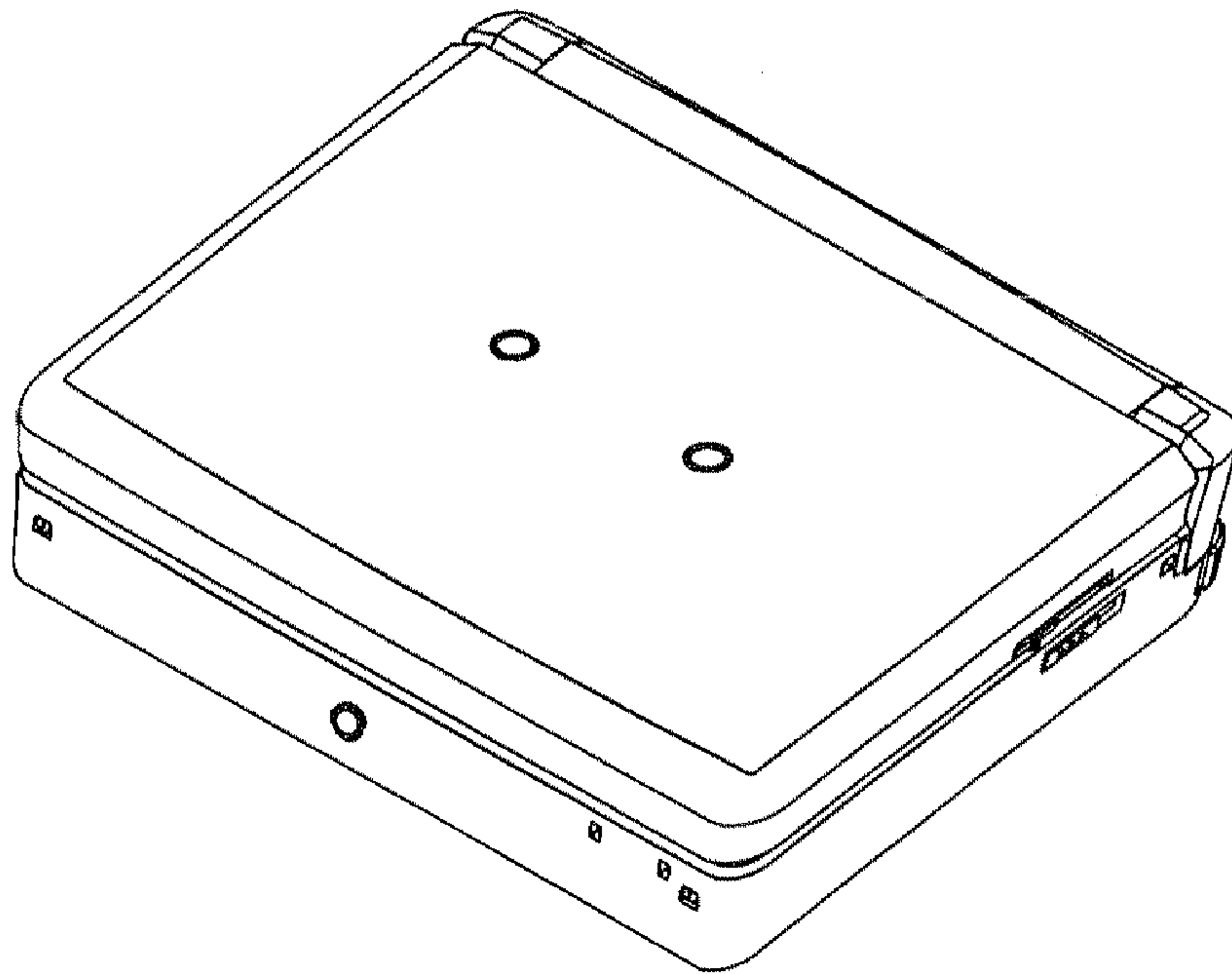


FIG. 40

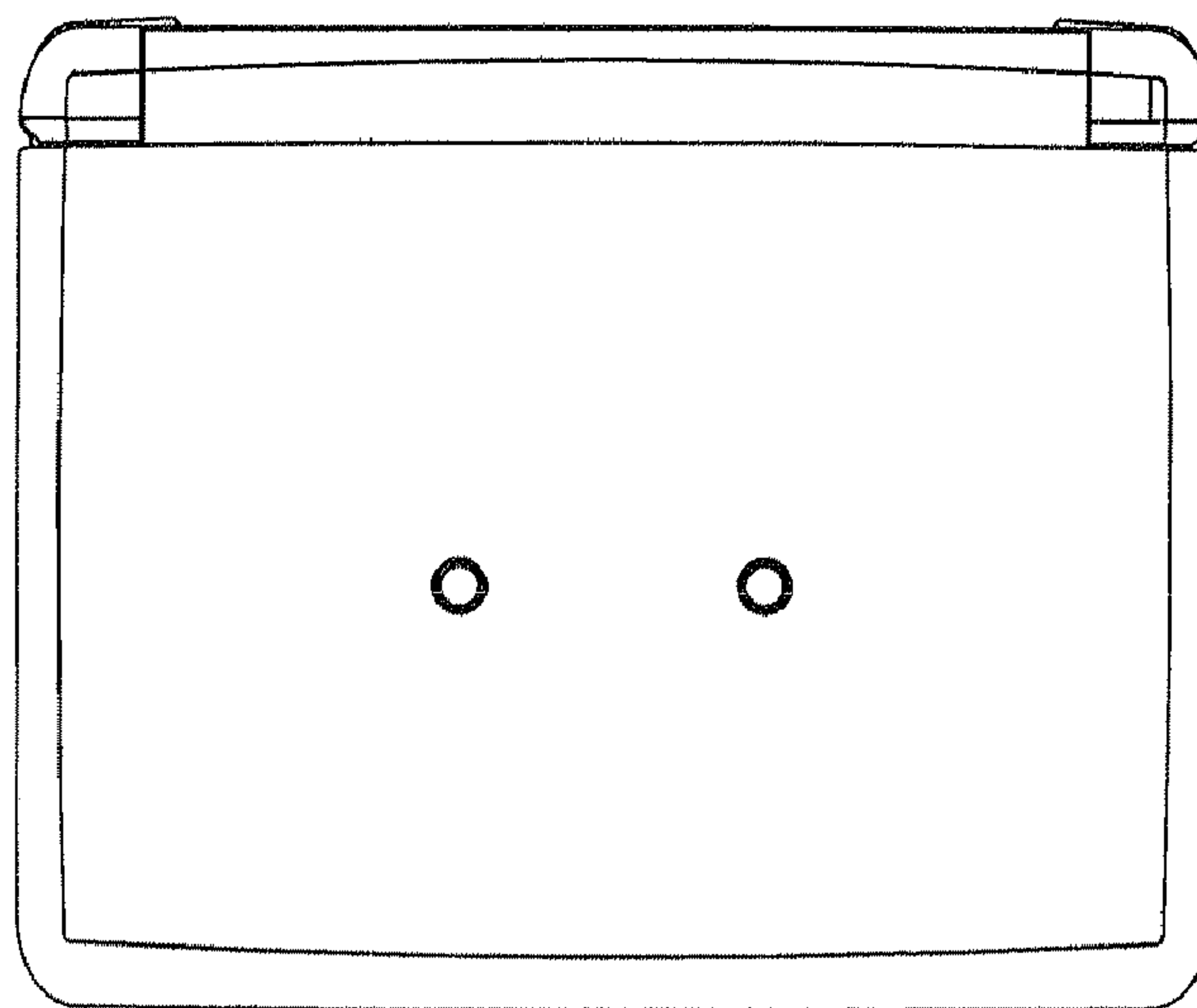


FIG. 41

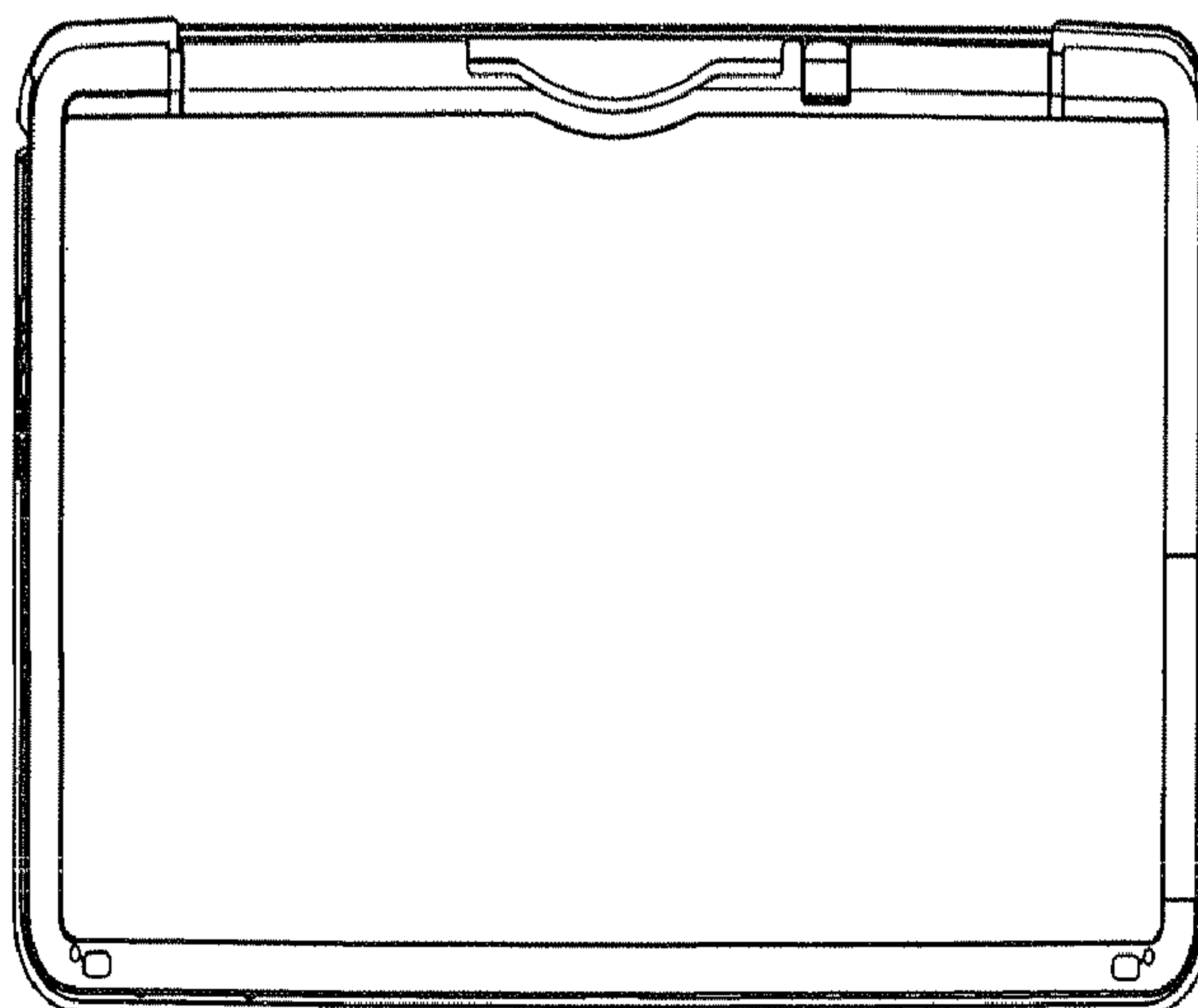


FIG. 42

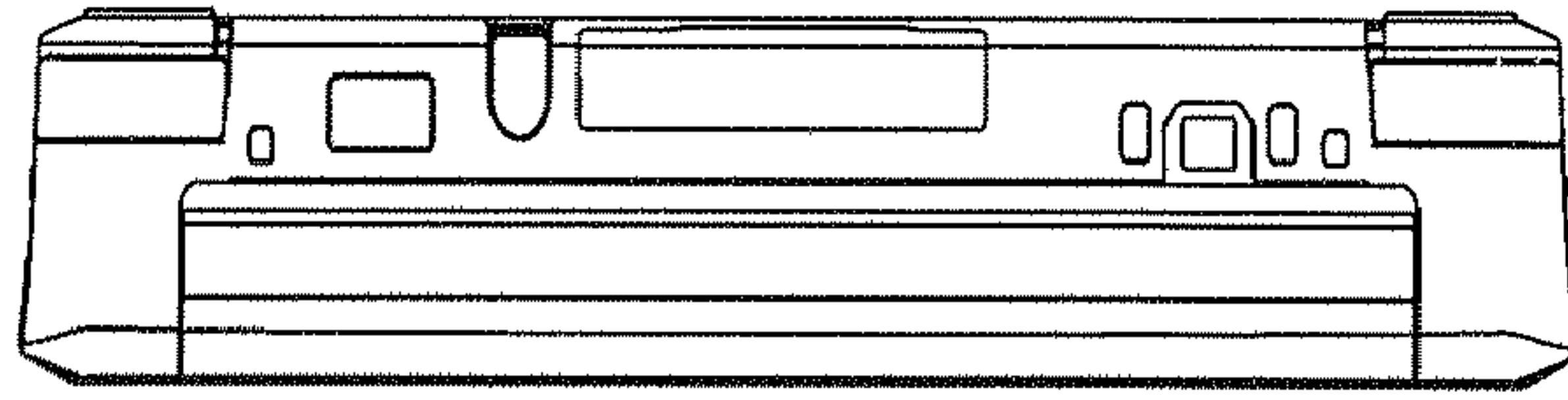


FIG. 43

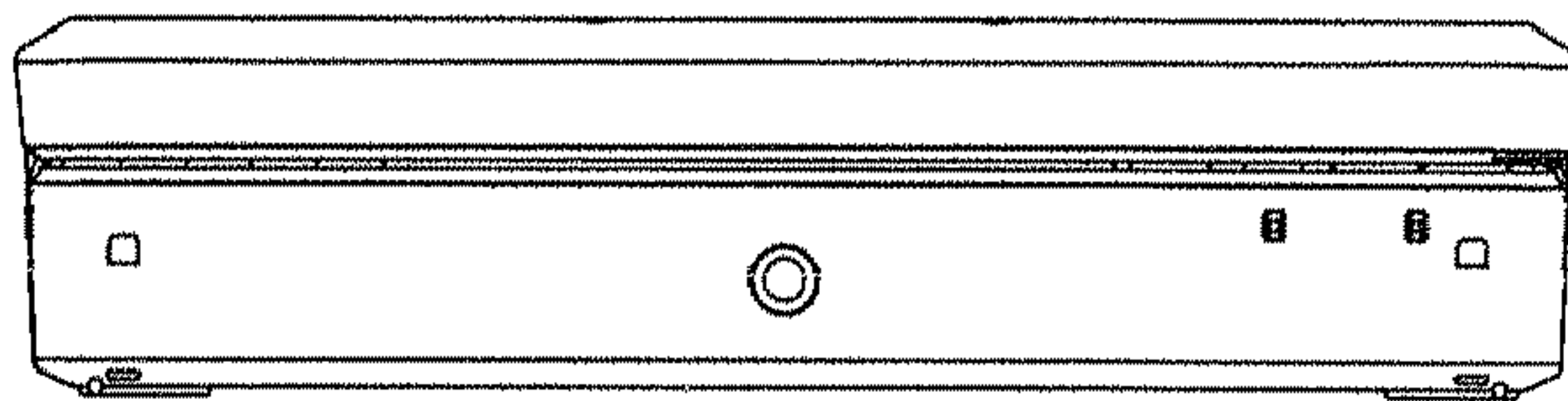


FIG. 44

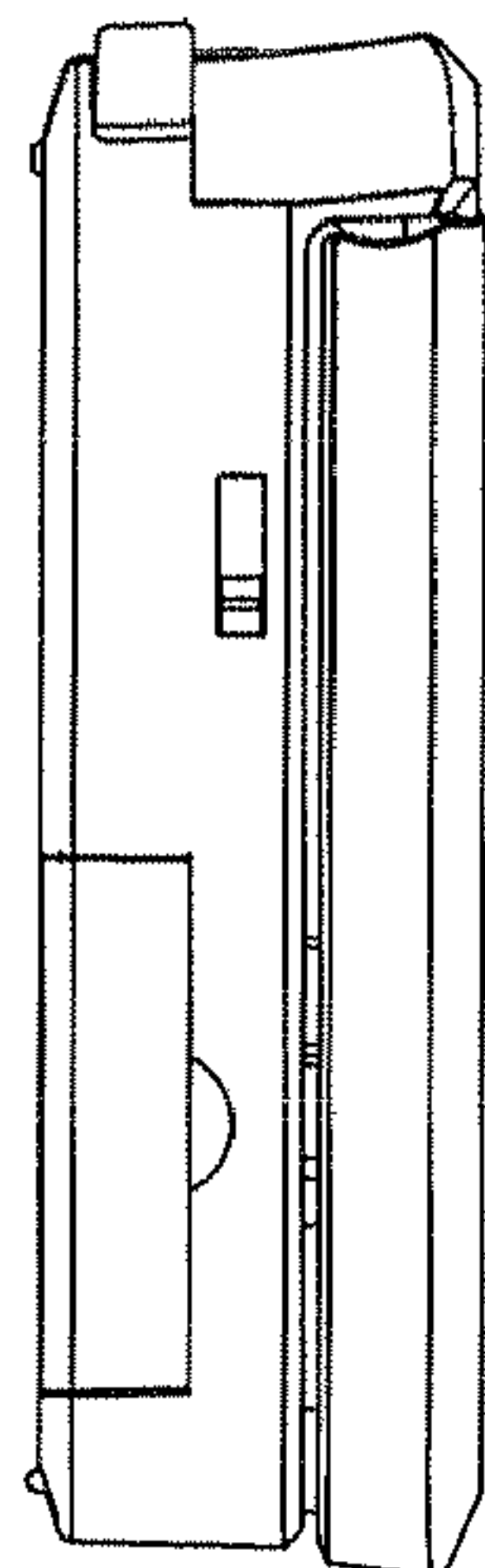


FIG. 45

