



US00D650446S

(12) **United States Design Patent**
Vonsik et al.

(10) **Patent No.:** **US D650,446 S**
(45) **Date of Patent:** **** Dec. 13, 2011**

(54) **MODULAR FLIGHT DECK SIMULATOR**

(75) Inventors: **Brett A. Vonsik**, Orlando, FL (US);
Gregory V. Mikkelson, Merritt Island,
FL (US); **Timothy J. Martino**, Orlando,
FL (US); **Shawn M. Muir**, Orlando, FL
(US)

(73) Assignee: **Lockheed Martin Corporation**,
Orlando, FL (US)

(**) Term: **14 Years**

(21) Appl. No.: **29/381,232**

(22) Filed: **Dec. 16, 2010**

(51) **LOC (9) Cl.** **21-01**

(52) **U.S. Cl.** **D21/327**

(58) **Field of Classification Search** D21/325,
D21/329, 333, 369-371, 385; 273/148 B,
273/138.1; 463/1, 16-21, 25, 42, 46, 47
See application file for complete search history.

(56) **References Cited**

U.S. PATENT DOCUMENTS

5,299,810 A * 4/1994 Pierce et al. 463/2
5,439,230 A * 8/1995 Mendes, Jr. 273/349

D384,705 S * 10/1997 Muraki et al. D21/326
D386,217 S * 11/1997 Okumura D21/327
5,713,794 A * 2/1998 Shimojima et al. 463/36
D396,898 S * 8/1998 Tsuda D21/326
6,106,298 A 8/2000 Pollak
D431,266 S * 9/2000 Tomita et al. D21/327
D493,843 S * 8/2004 Jackson et al. D21/327

* cited by examiner

Primary Examiner — Prabhakar Deshmukh

(74) *Attorney, Agent, or Firm* — Karin L. Williams; Mayer
& Williams P.C.

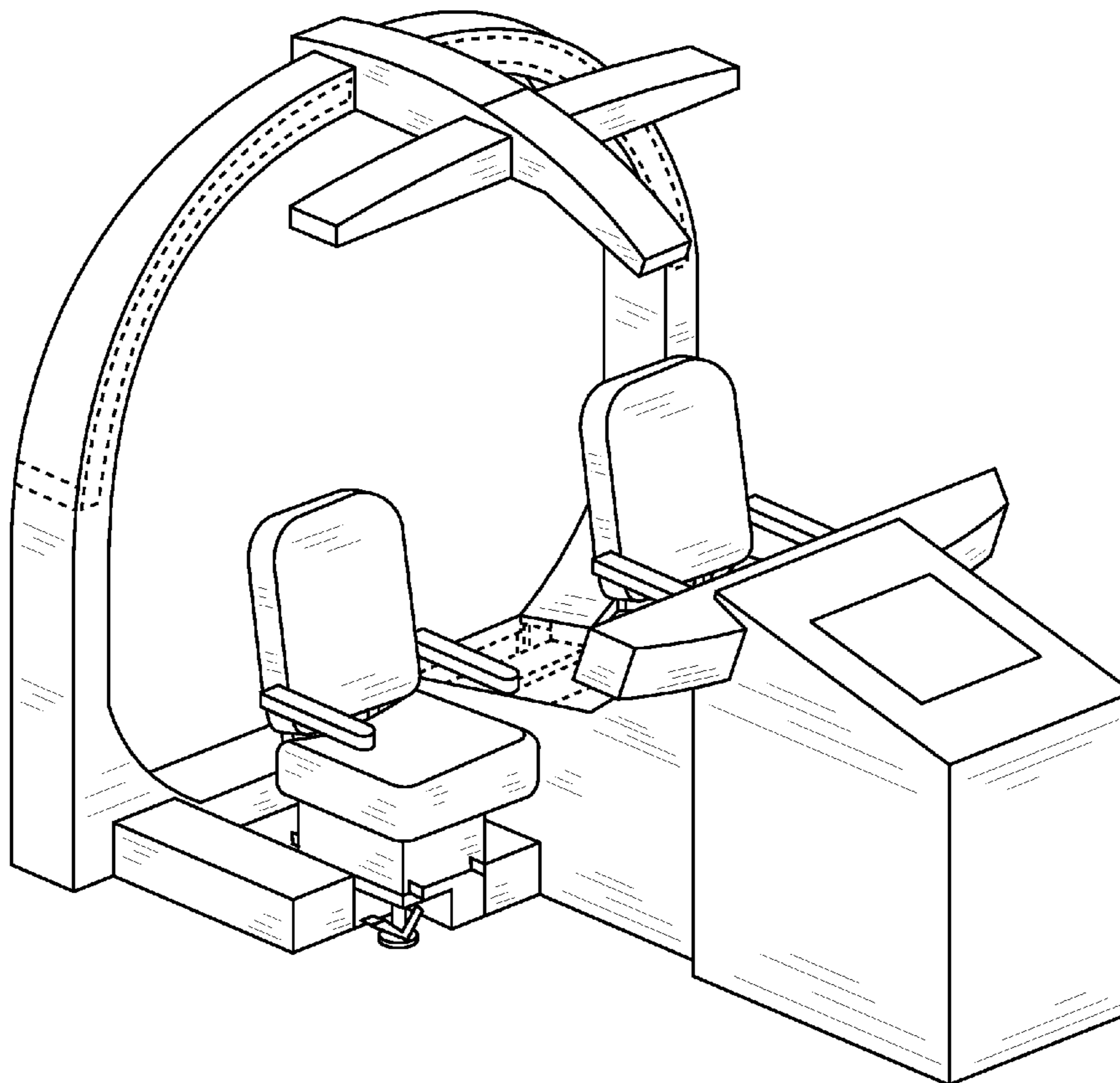
(57) **CLAIM**

The ornamental design for a modular flight deck simulator, as
shown and described.

DESCRIPTION

FIG. 1 is a perspective view of a modular flight deck simulator
showing my new design;
FIG. 2 is a front view thereof;
FIG. 3 is a back view thereof;
FIG. 4 is right side view thereof;
FIG. 5 is a left side view thereof; and,
FIG. 6 is a top side view thereof.
The broken lines indicate disclaimed portions and form no
part of the claimed design.

1 Claim, 4 Drawing Sheets



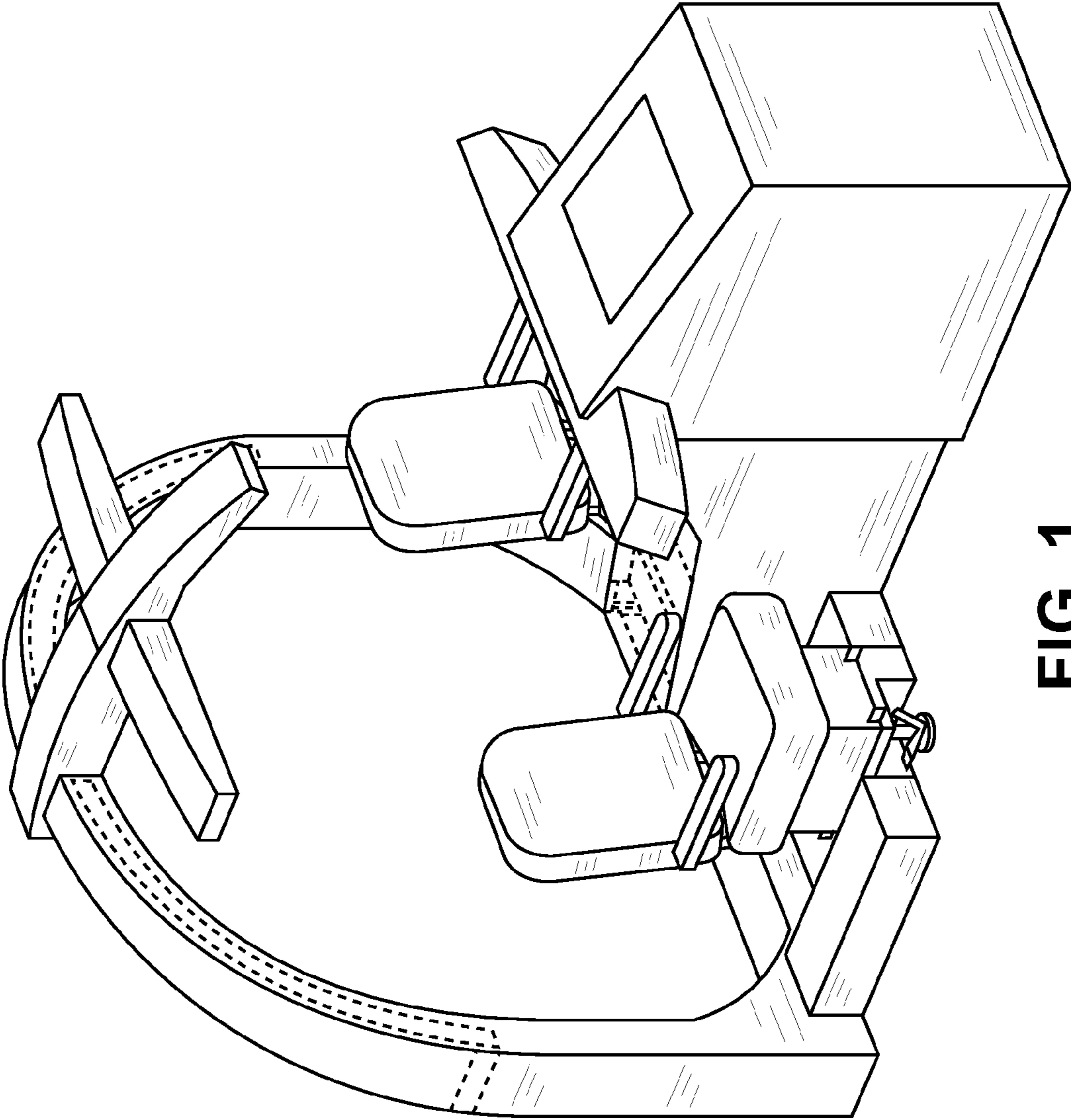


FIG. 1

FIG. 2

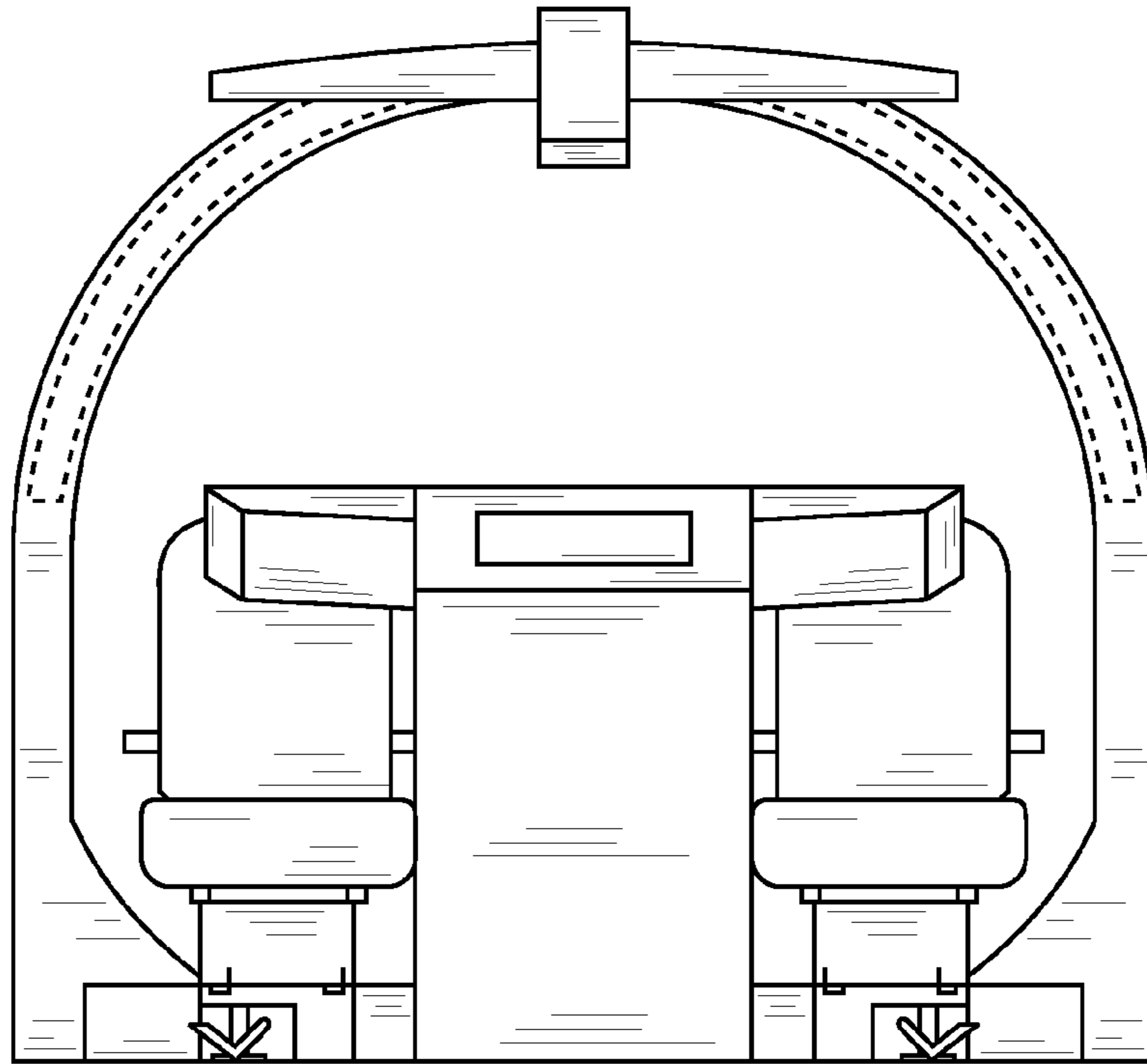
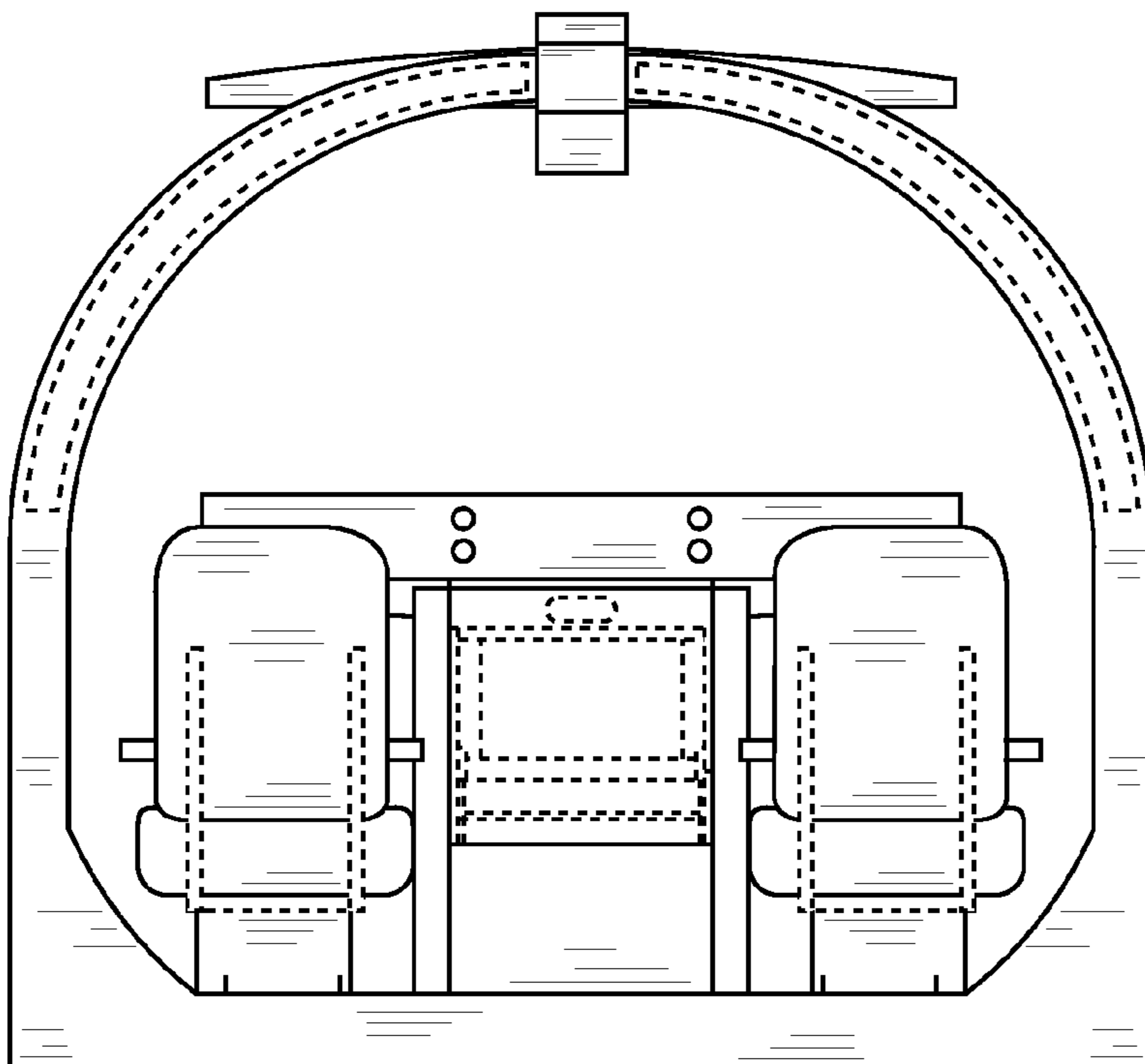
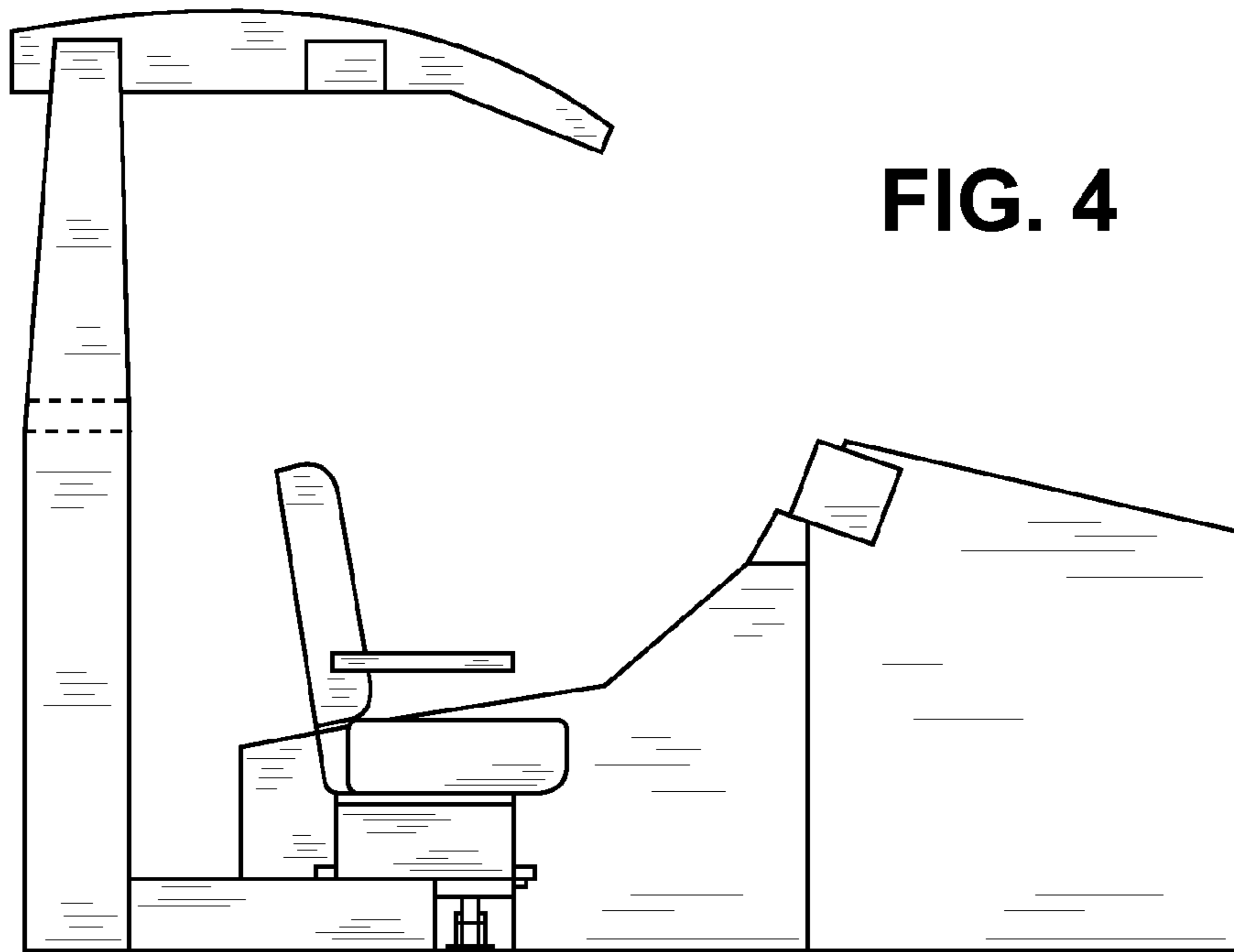


FIG. 3





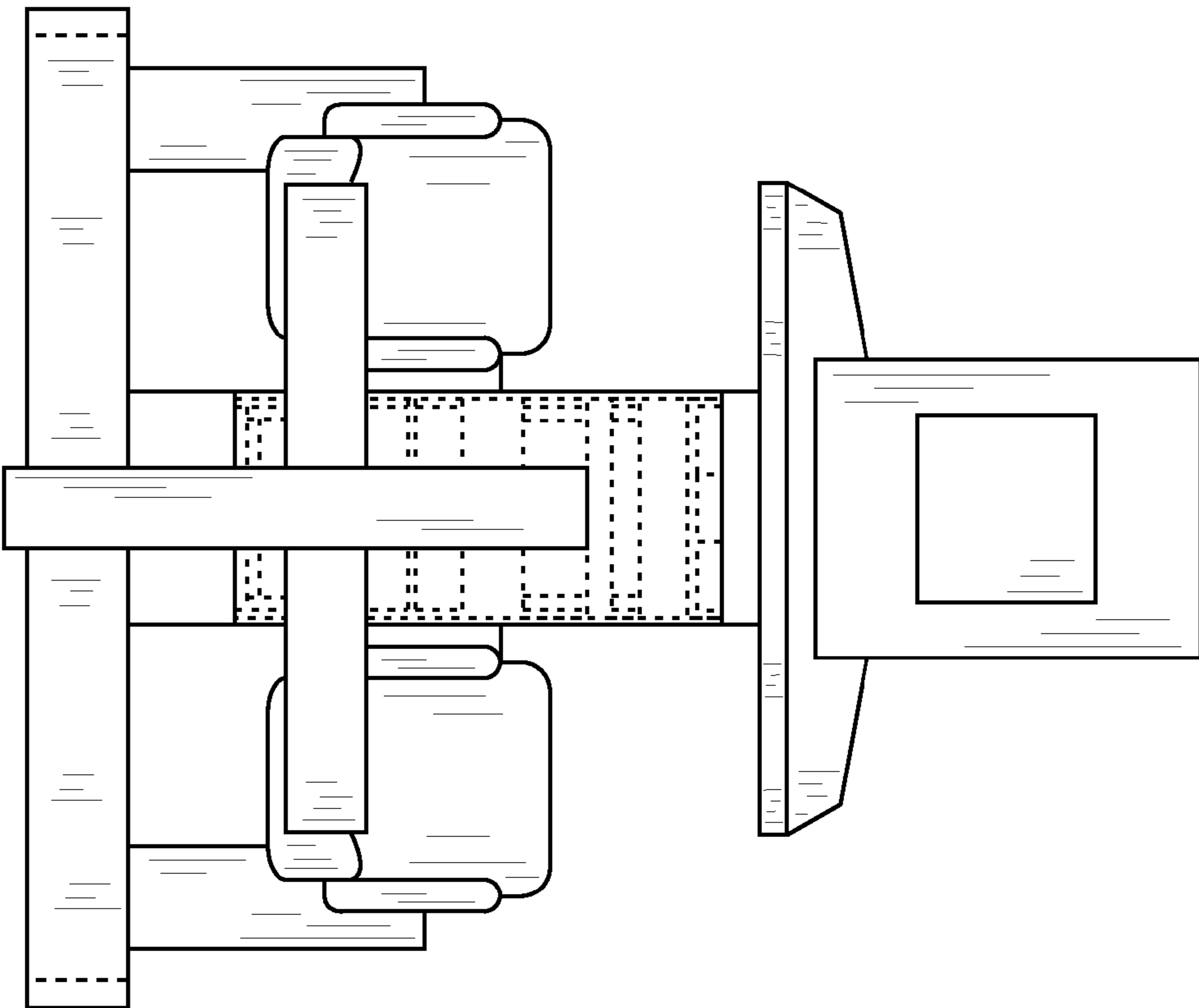


FIG. 6