



US00D650445S

(12) **United States Design Patent**
Otey et al.

(10) **Patent No.:** **US D650,445 S**

(45) **Date of Patent:** **** Dec. 13, 2011**

(54) **MULTI-PLAYER NINE SQUARE,
THREE-DIMENSIONAL GAME**

(75) Inventors: **Steve Otey**, Manchester, MO (US); **John Huffman**, Kirkwood, MO (US)

(73) Assignee: **9 Square in the Air, LLC**, Manchester, MO (US)

(**) Term: **14 Years**

(21) Appl. No.: **29/365,294**

(22) Filed: **Jul. 7, 2010**

(51) **LOC (9) Cl.** **21-01**

(52) **U.S. Cl.** **D21/300; D21/337**

(58) **Field of Classification Search** D21/300,
D21/334-368; D25/61; 135/121, 141, 154,
135/156, 157; 473/415, 473; 273/236-288
See application file for complete search history.

(56) **References Cited**

U.S. PATENT DOCUMENTS

1,499,019	A *	6/1924	Kline	135/154
2,801,107	A *	7/1957	Greer, Jr.	273/241
3,606,333	A *	9/1971	Green	273/239
3,690,656	A *	9/1972	Hughes et al.	273/276
D255,256	S *	6/1980	Jih	D21/334
4,368,892	A *	1/1983	White	473/473
5,711,337	A *	1/1998	McKenney	135/121
D412,793	S	8/1999	Neubauer, Jr.	
D520,570	S *	5/2006	Ruegg	D21/345

7,146,995	B2 *	12/2006	Lapping	135/121
D594,511	S *	6/2009	Smyth	D21/345
7,608,000	B2	10/2009	Butler	
2007/0295378	A1 *	12/2007	Lapping	135/121

* cited by examiner

Primary Examiner — Sandra Morris

(74) *Attorney, Agent, or Firm* — Senniger Powers LLP

(57) **CLAIM**

The ornamental design for a multi-player nine square, three-dimensional game, as shown and described.

DESCRIPTION

FIG. 1 is a perspective view of a multi-player nine square, three-dimensional game of our new design.

FIG. 2 is a front elevational view of the game of FIG. 1, each of the rear elevational view, the right side elevational view and the left side elevational view being the same as the front elevational view.

FIG. 3 is a top plan view of the game of FIG. 1.

FIG. 4 is a bottom plan view of the game of FIG. 1.

FIG. 5 is an expanded view of a portion of FIG. 1 illustrating a top corner intersection of the game FIG. 1.

FIG. 6 is an expanded view of a portion of FIG. 1 illustrating a top side intersection of the game FIG. 1.

FIG. 7 is an expanded view of a portion of FIG. 1 illustrating a top interior intersection of the game FIG. 1; and,

FIG. 8 is an expanded view of a portion of FIG. 2 illustrating a telescoping leg of the game FIG. 1.

1 Claim, 8 Drawing Sheets

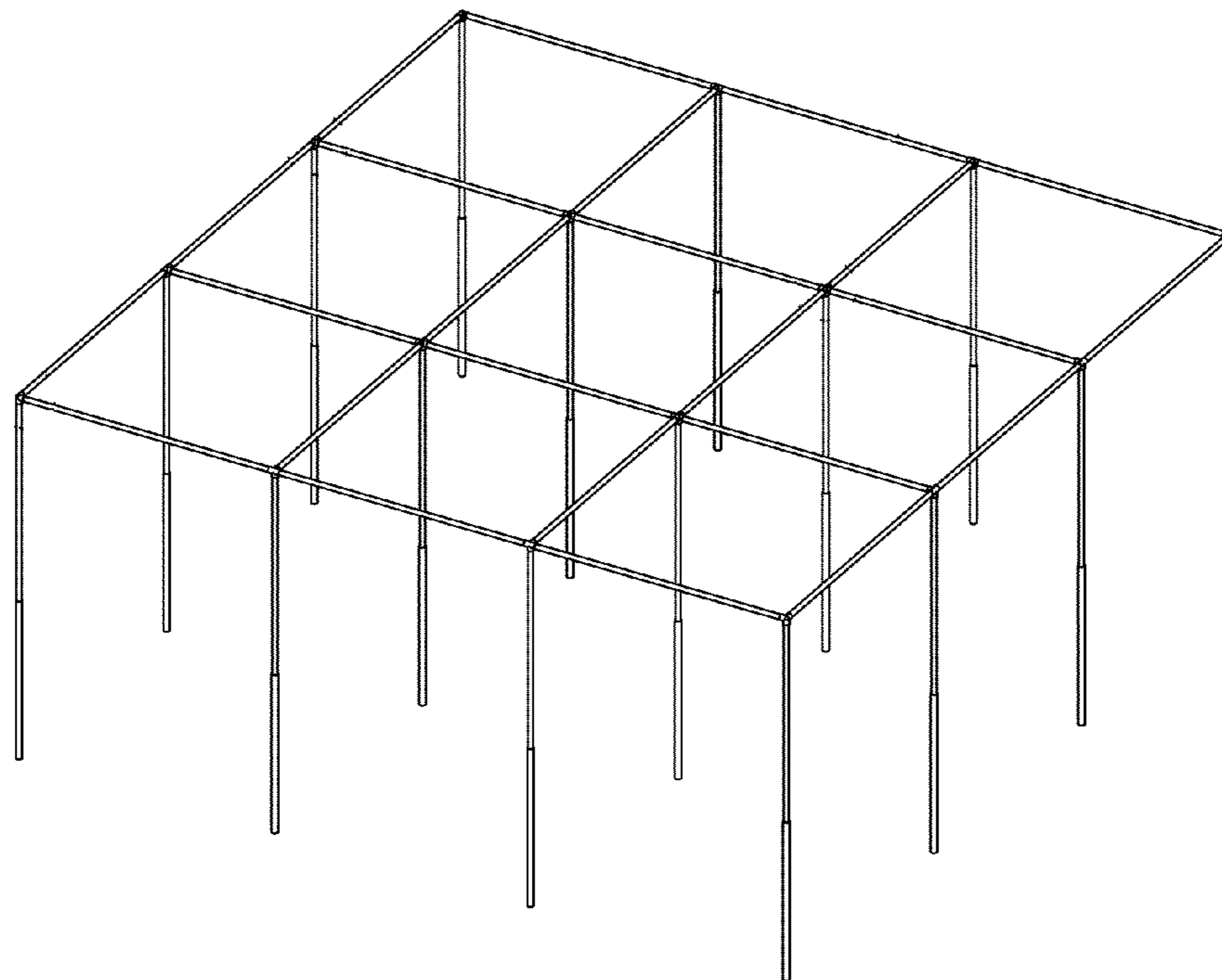


FIG. 1

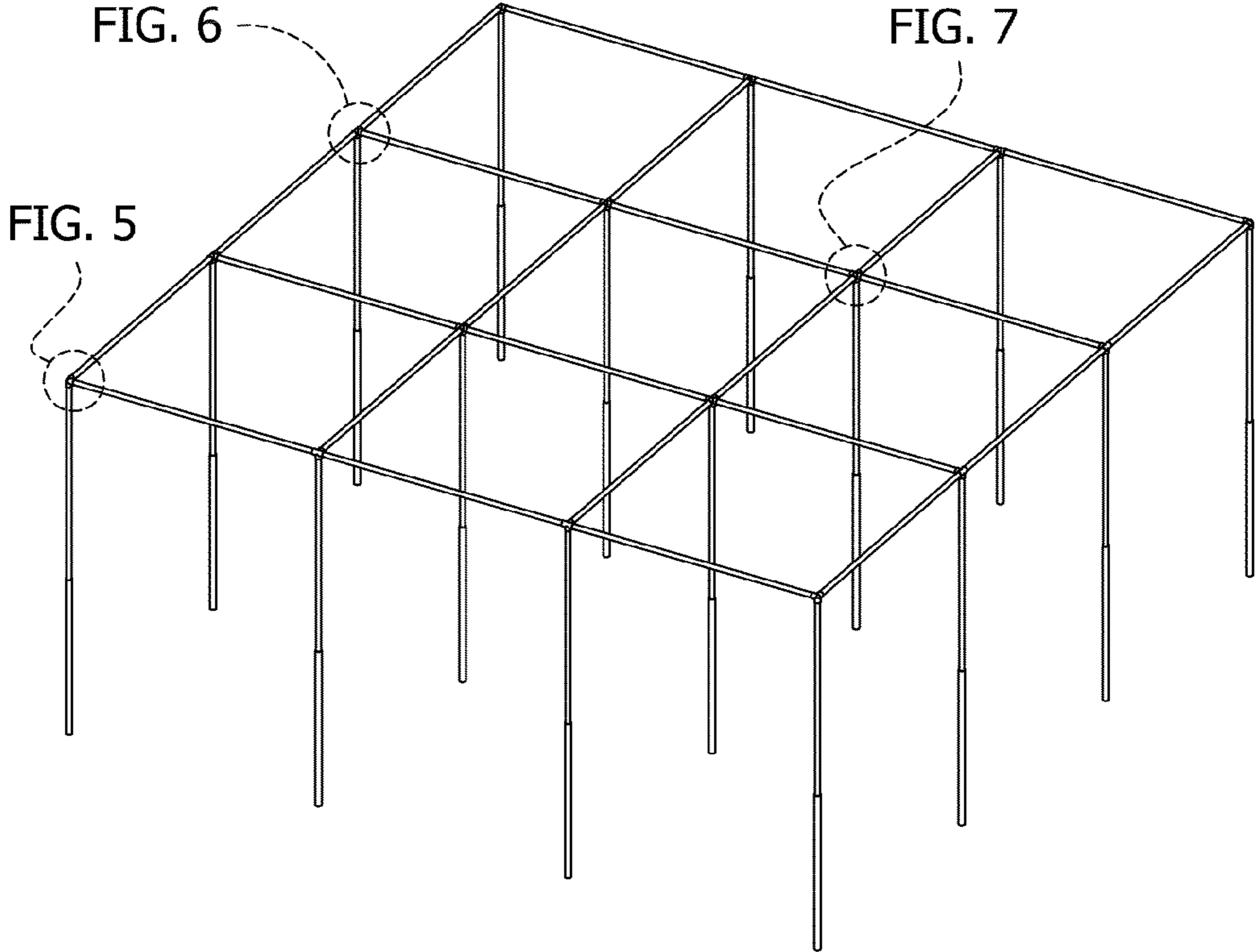


FIG. 2

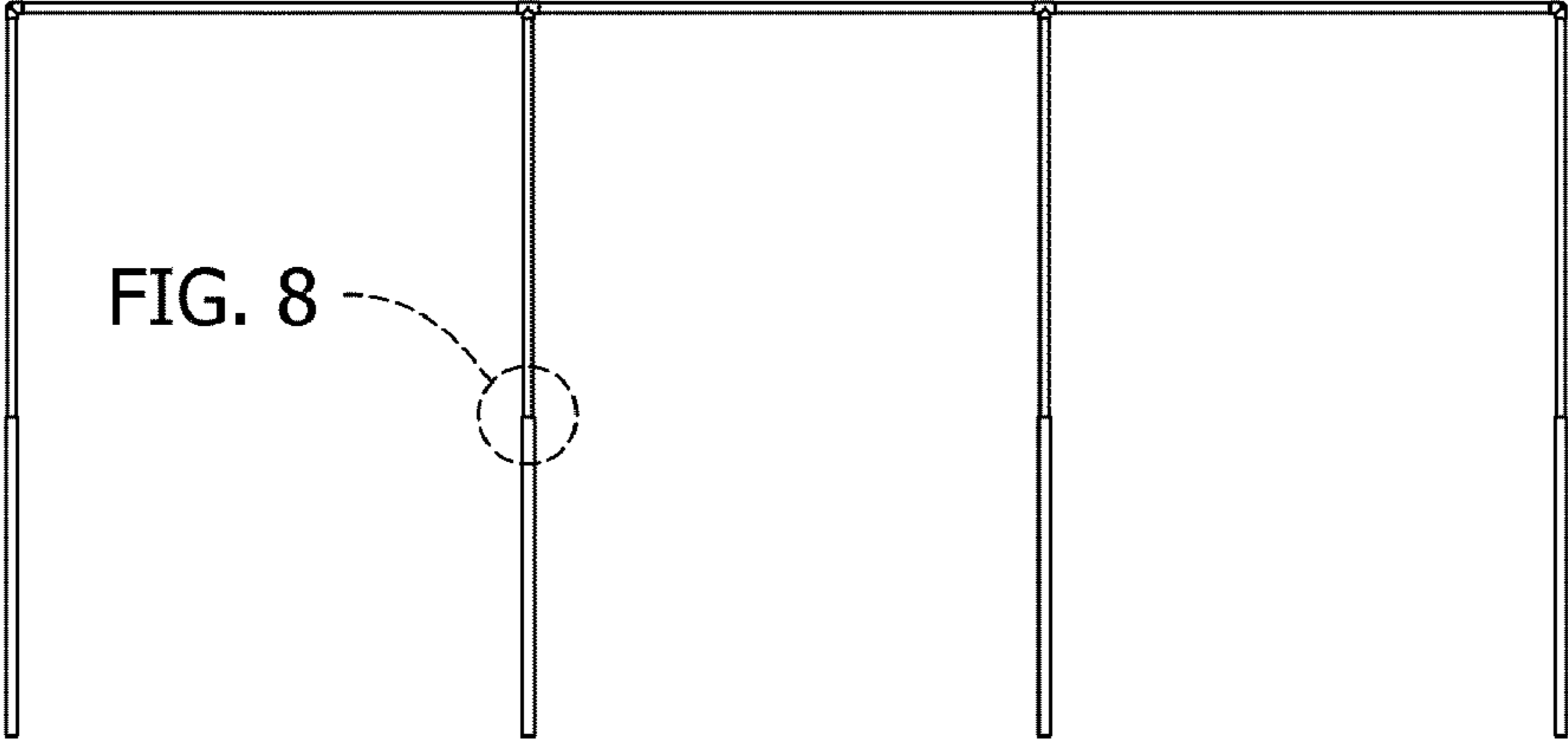


FIG. 3

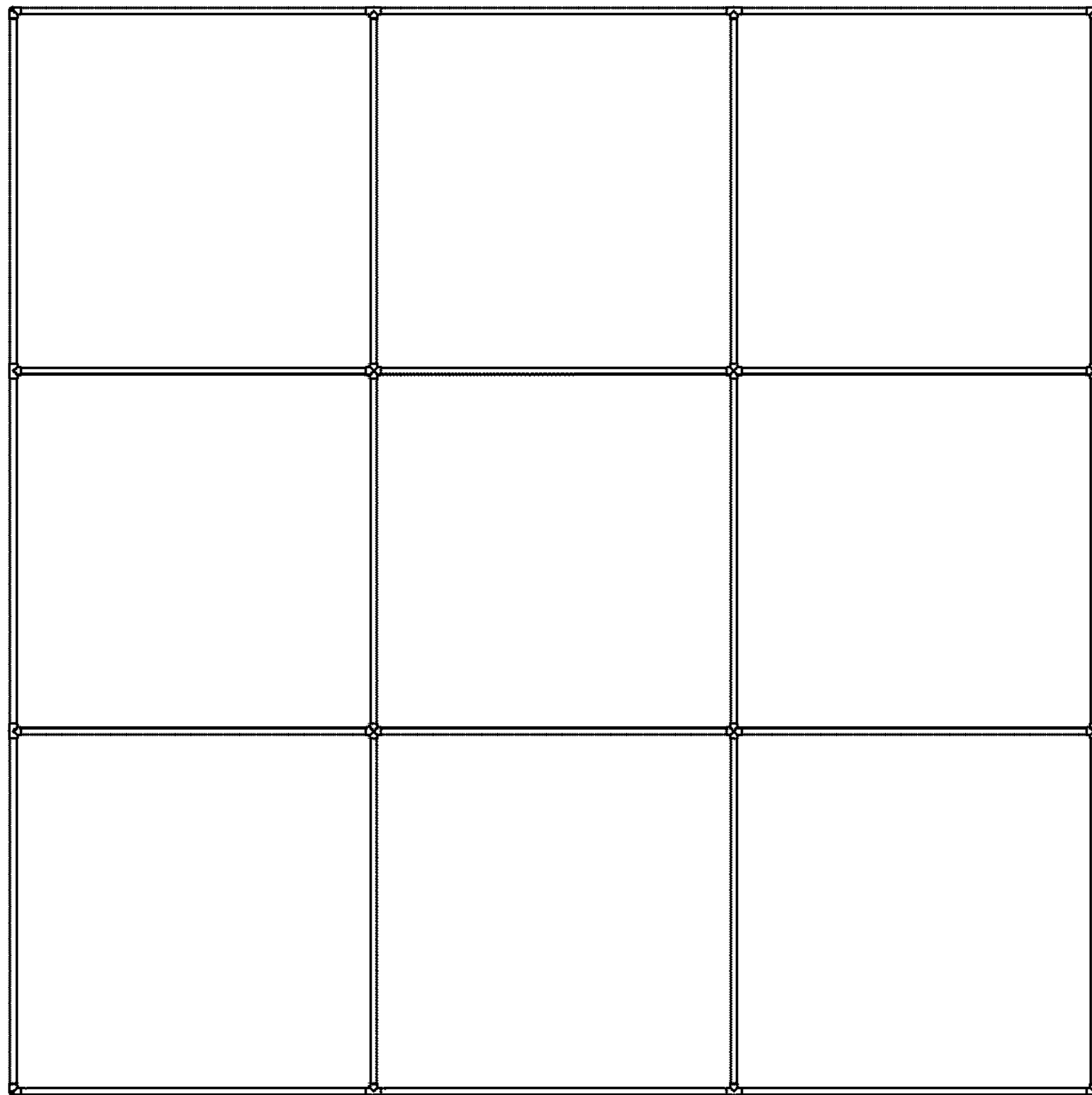


FIG. 4

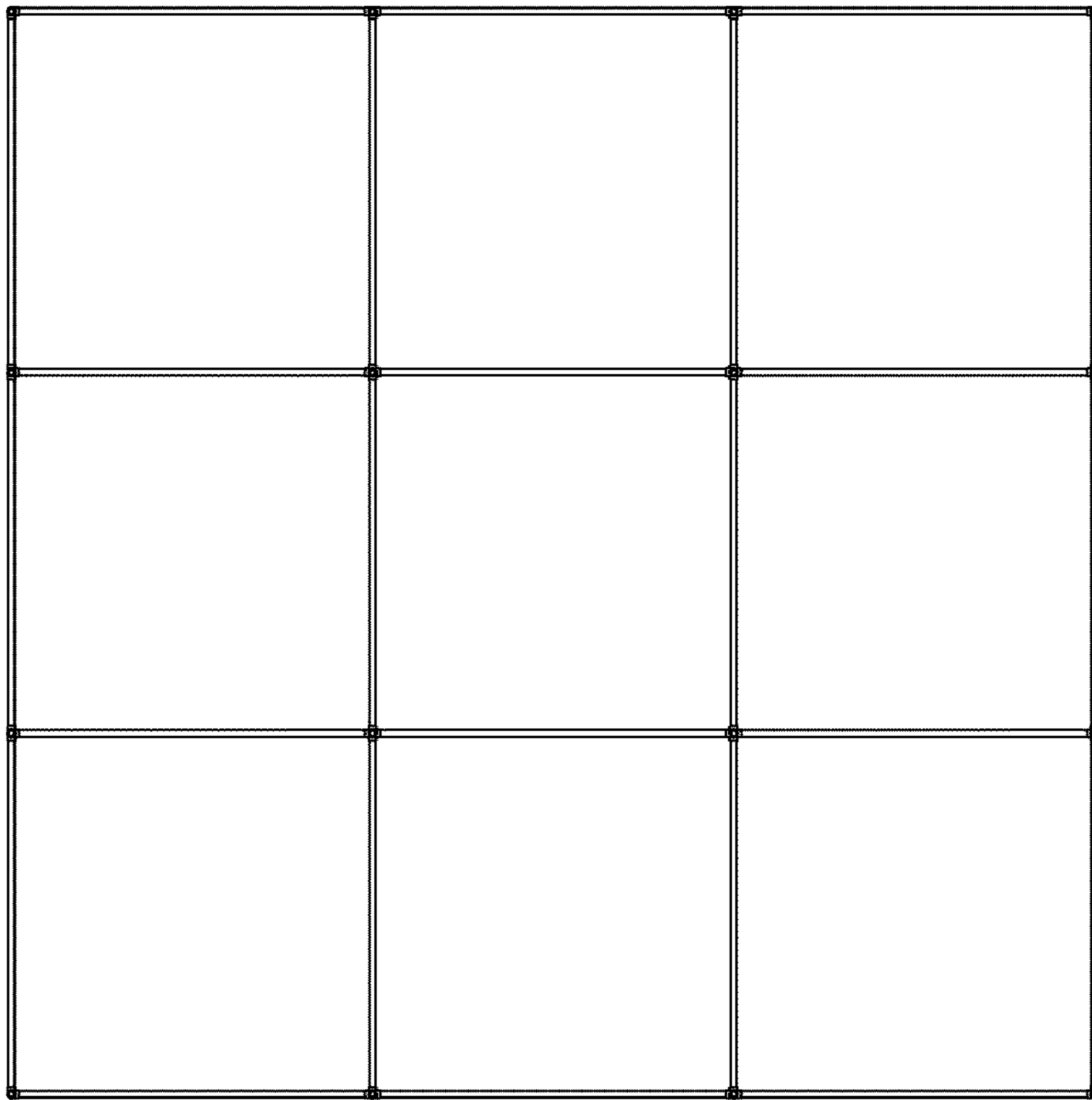


FIG. 5

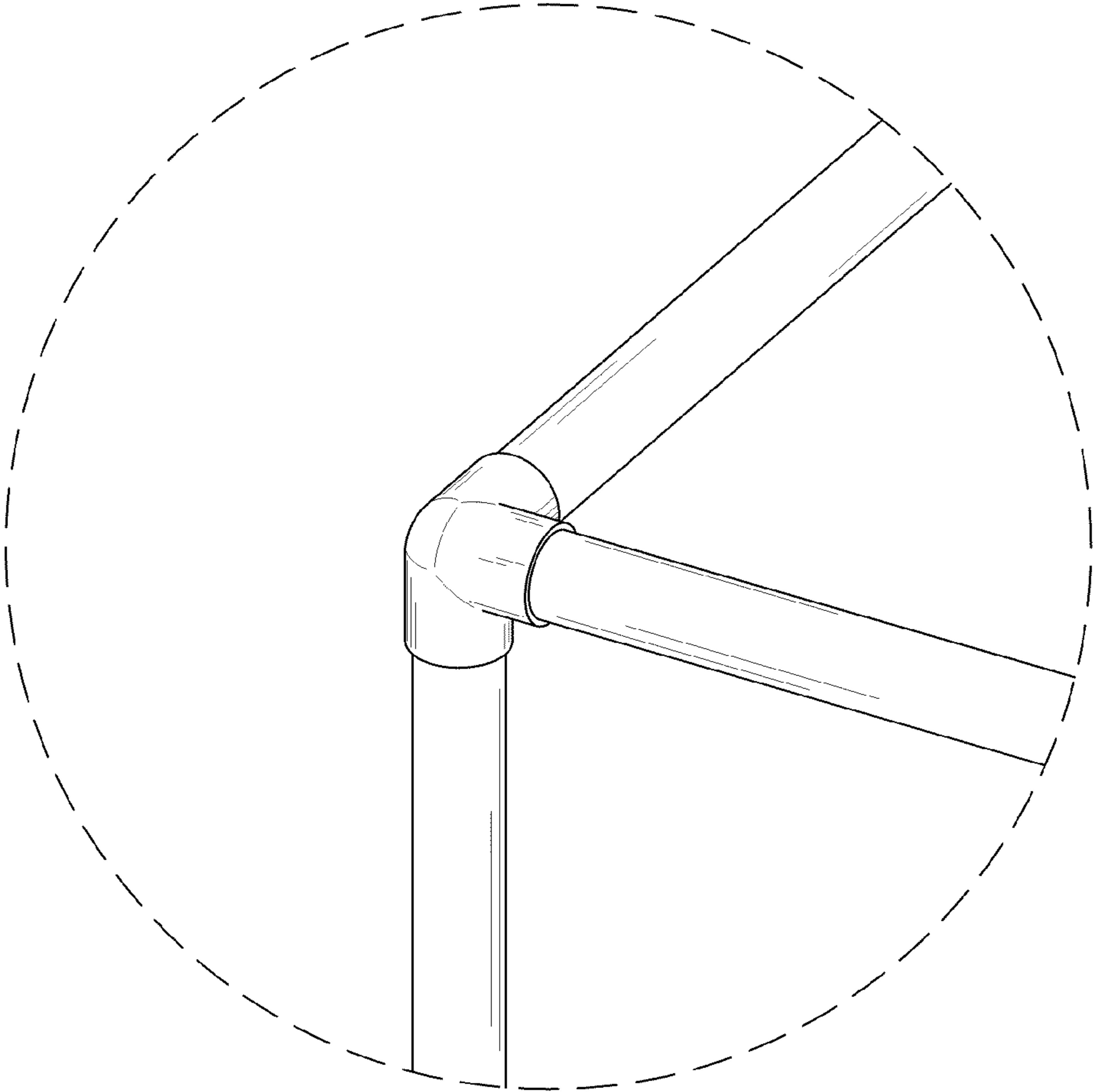


FIG. 6

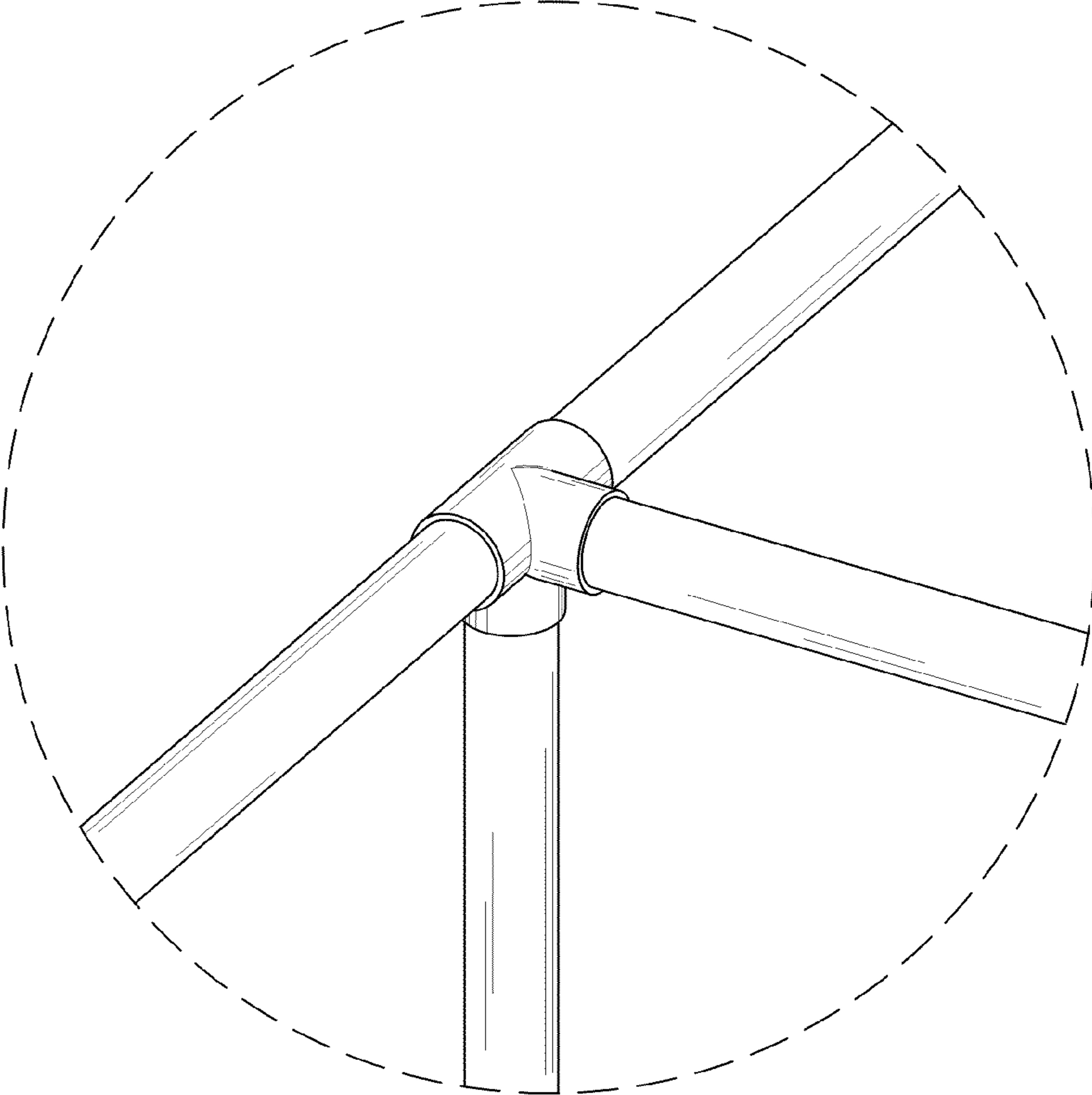


FIG. 7

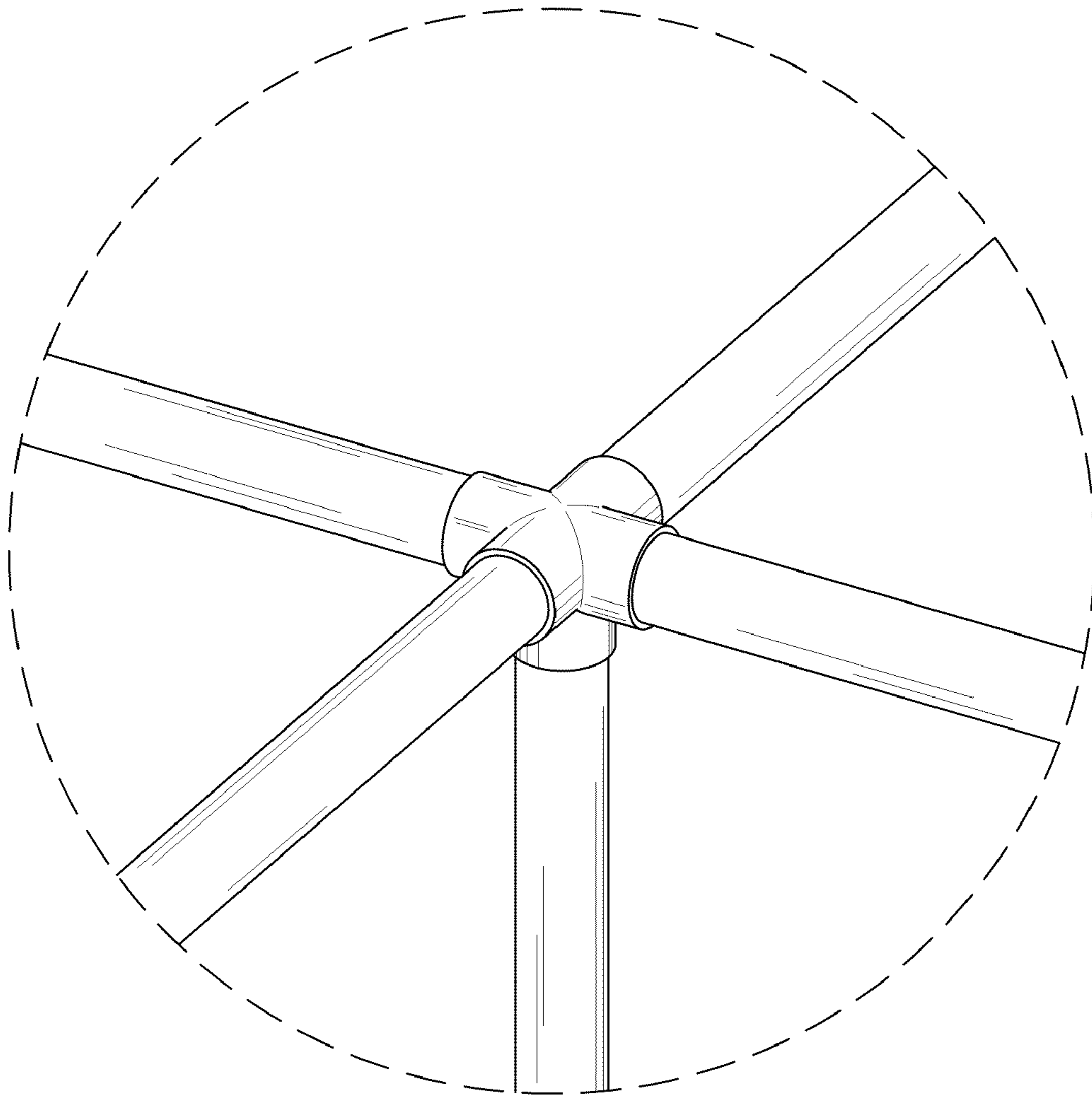


FIG. 8

