



US00D650440S

(12) **United States Design Patent**
Irwin, Jr.

(10) **Patent No.:** **US D650,440 S**

(45) **Date of Patent:** **** *Dec. 13, 2011**

(54) **DATA CARD**

(75) Inventor: **Joseph Lee Irwin, Jr.**, Newark, DE (US)

(73) Assignee: **Bank of America Corporation**,
Charlotte, NC (US)

(*) Notice: This patent is subject to a terminal disclaimer.

(**) Term: **14 Years**

(21) Appl. No.: **29/367,950**

(22) Filed: **Aug. 16, 2010**

(51) **LOC (9) Cl.** **19-08**

(52) **U.S. Cl.** **D19/10**

(58) **Field of Classification Search** D19/1-12,
D19/20-34; 40/124.01-124.15, 672, 661,
40/726, 776; 283/70, 72, 74-75, 82, 103,
283/105-107, 904; 206/449; D21/385; D20/10-11,
D20/22, 27, 40, 42; D14/435-437; 235/380,
235/382; 360/2

See application file for complete search history.

(56) **References Cited**

U.S. PATENT DOCUMENTS

D447,515 S * 9/2001 Faenza et al. D19/10
D456,814 S * 5/2002 Pentz D14/436

D462,965 S * 9/2002 Pentz D14/436
D464,355 S * 10/2002 Burke D14/436
D498,788 S * 11/2004 Lubking D19/10
D516,563 S * 3/2006 Hart et al. D14/436
D560,717 S * 1/2008 Robertson et al. D19/10
D623,190 S * 9/2010 Trujillo D14/436
D631,910 S * 2/2011 Irwin, Jr. D19/1
D631,911 S * 2/2011 Irwin, Jr. D19/10
D636,814 S * 4/2011 Irwin, Jr. D19/10
D637,228 S * 5/2011 Irwin, Jr. D19/10

* cited by examiner

Primary Examiner — Caron D Veynar

Assistant Examiner — Abraham Bahta

(74) *Attorney, Agent, or Firm* — Michael A. Springs; Moore
& Van Allen PLLC; James C. Edwards

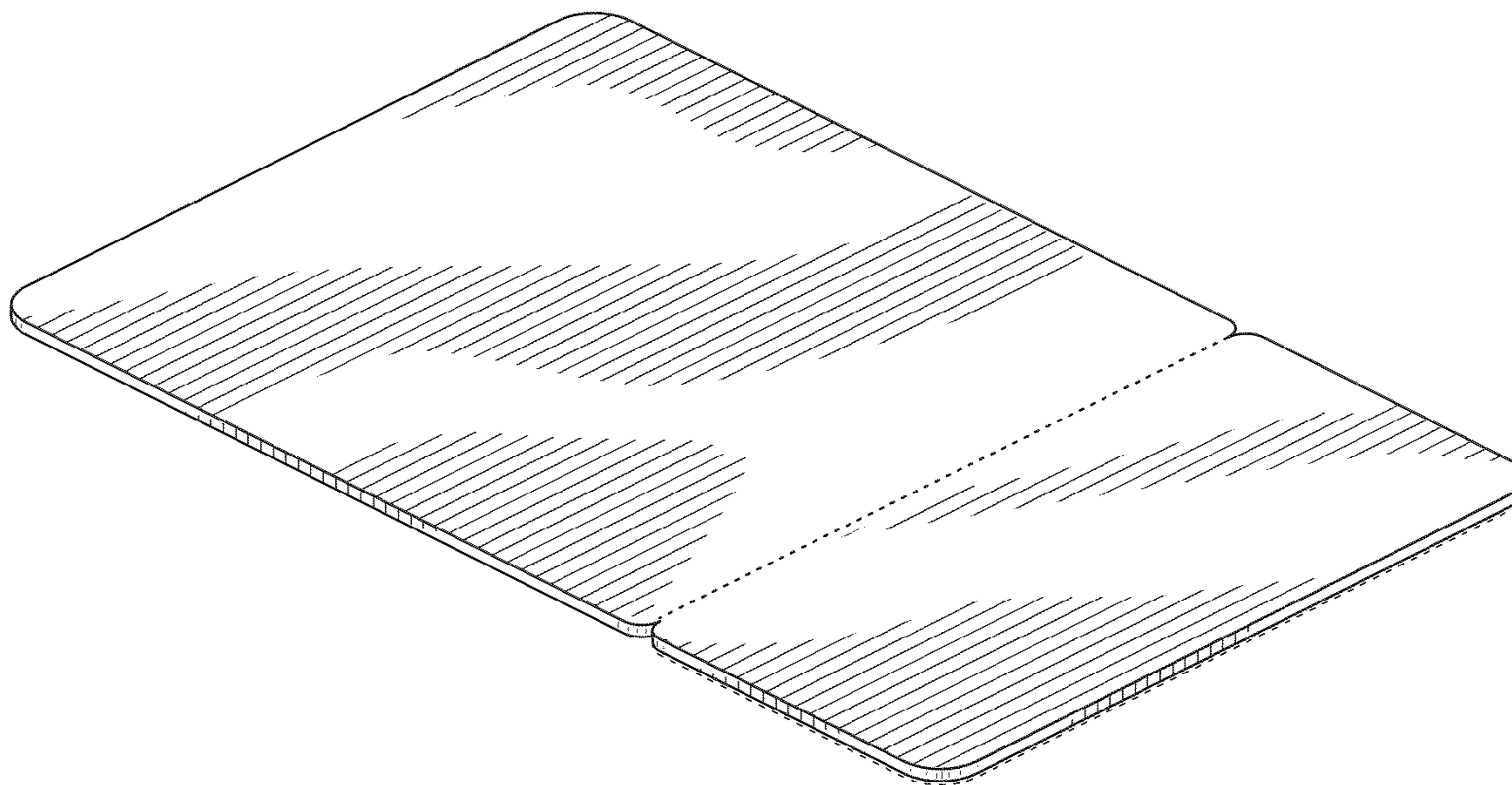
(57) **CLAIM**

The ornamental design for a data card, as shown and described.

DESCRIPTION

FIG. 1 is a perspective view of the data card;
FIG. 2 is plan view of the front side of the data card;
FIG. 3 is a plan view of the back side of the data card;
FIG. 4 is a side view of the data card;
FIG. 5 is a side view of the data card;
FIG. 6 is a side view of the data card; and,
FIG. 7 is a side view of the data card.

1 Claim, 3 Drawing Sheets



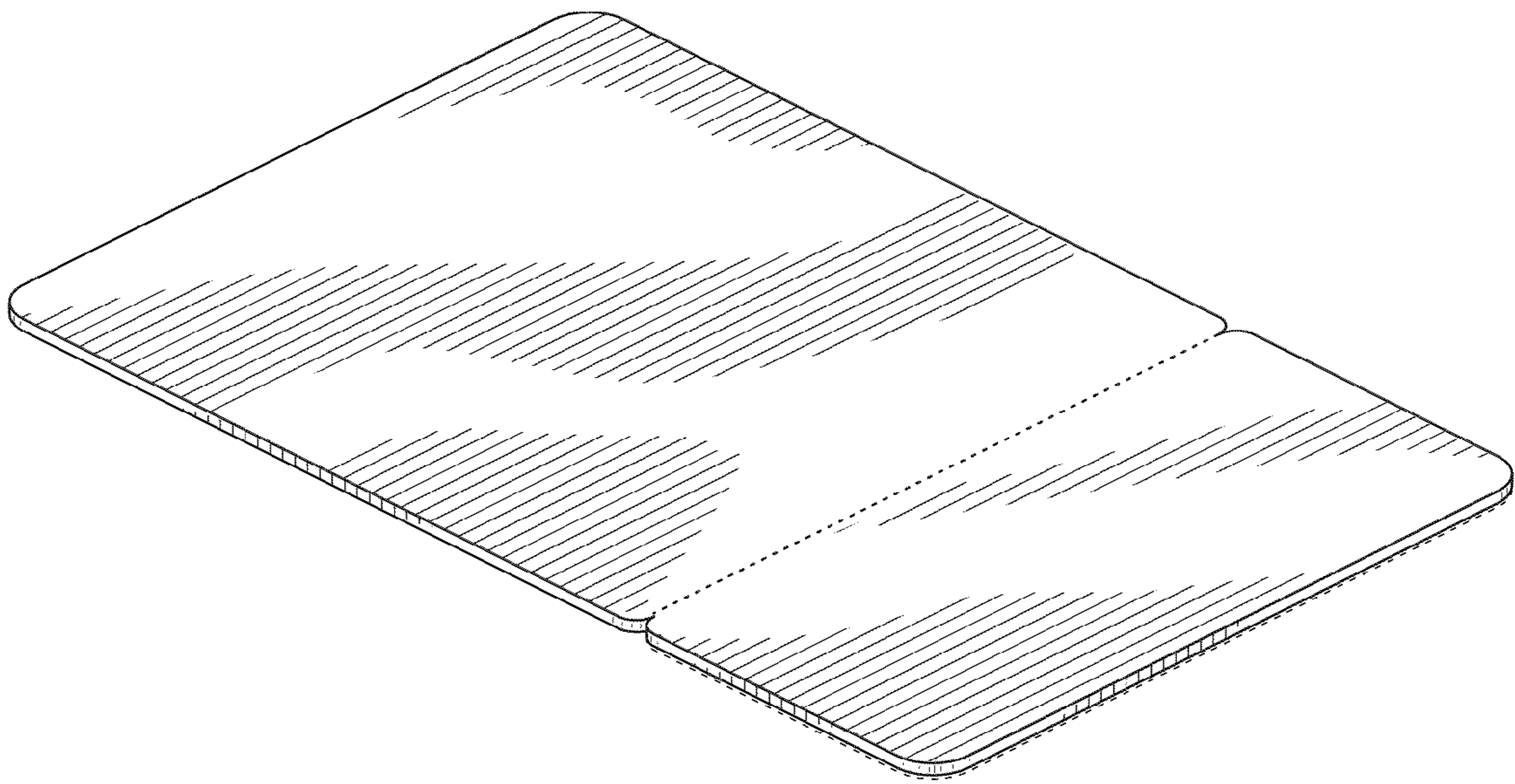


FIG. 1

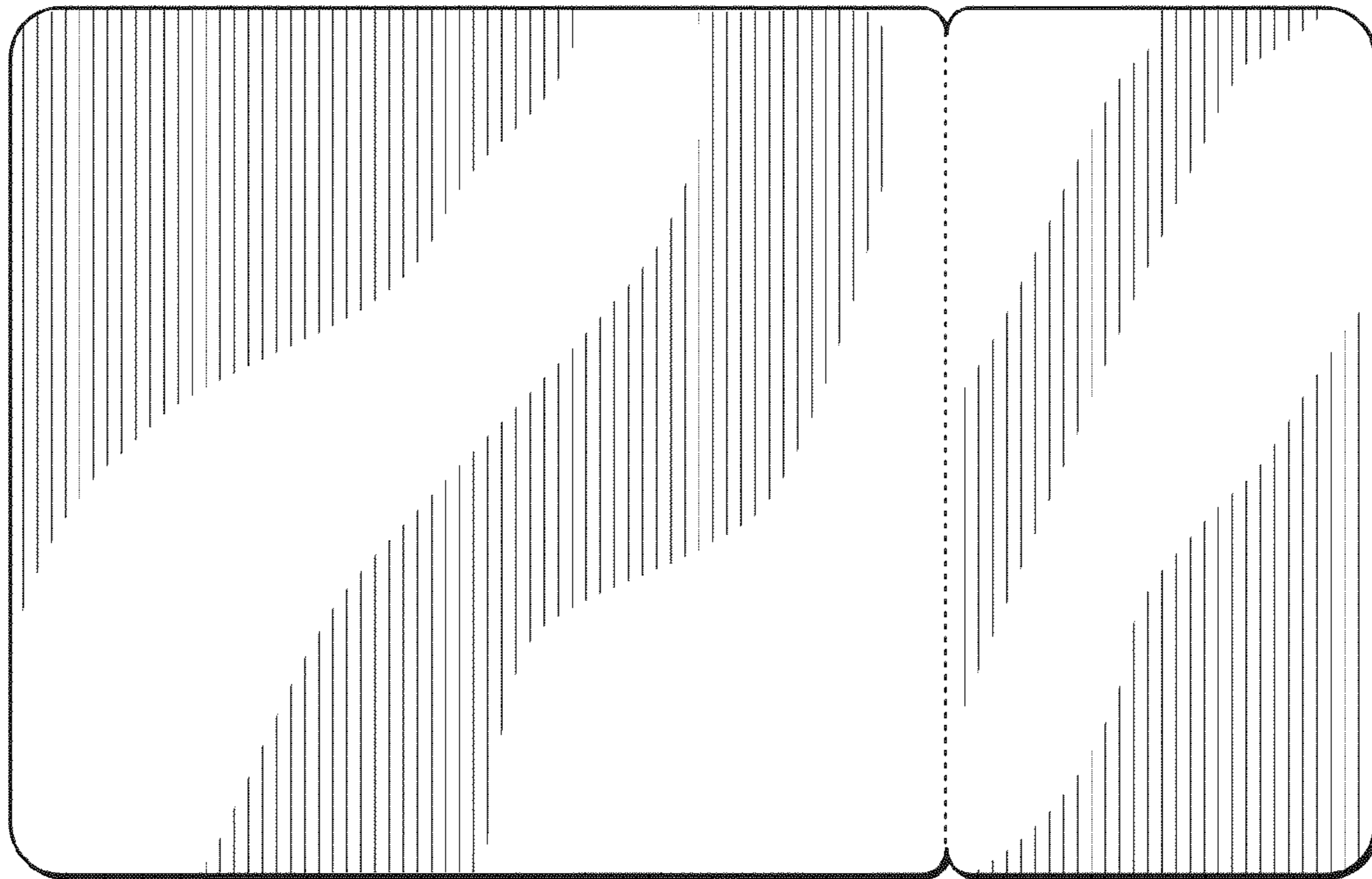


FIG. 2

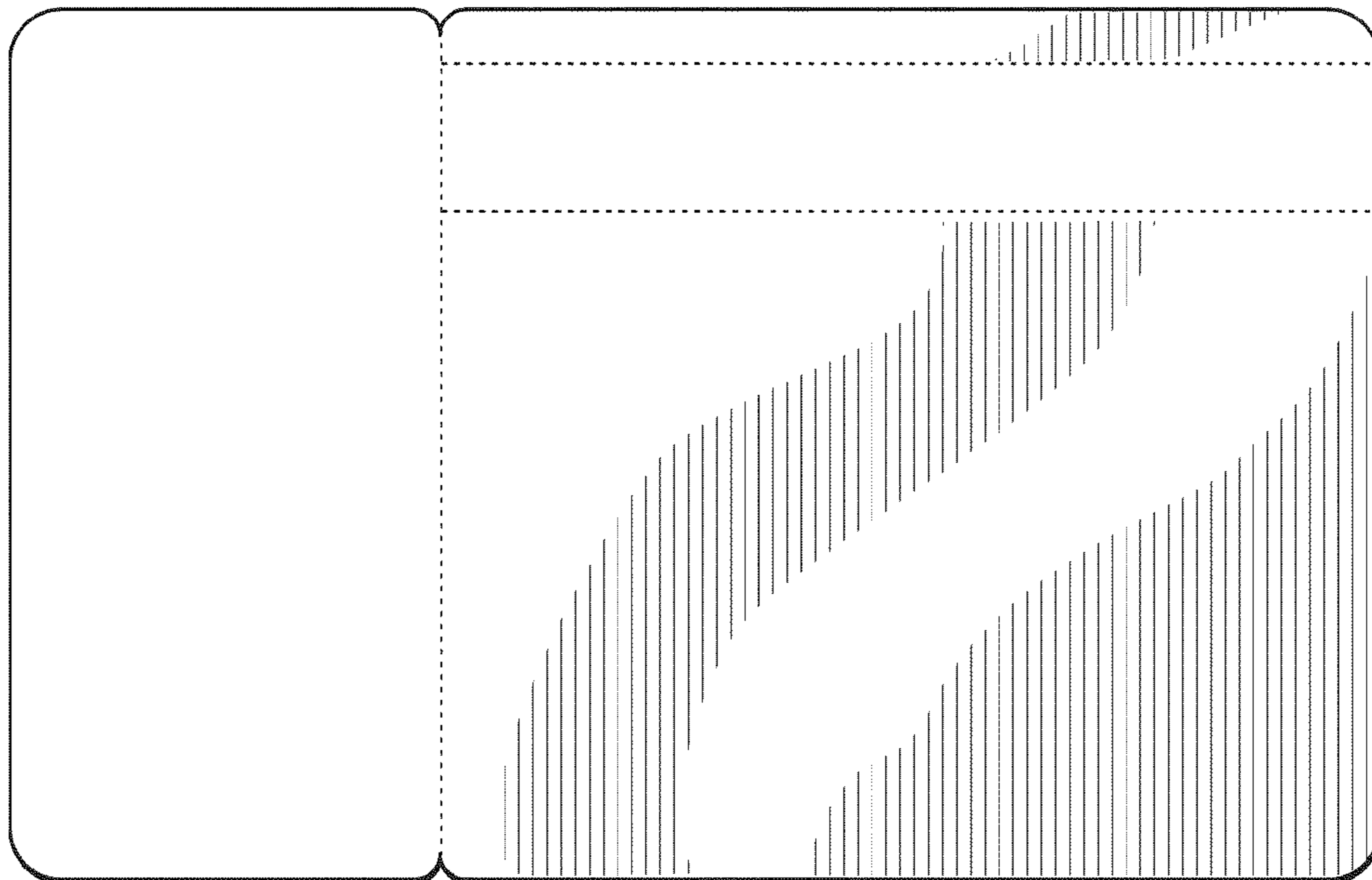


FIG. 3



FIG. 4



FIG. 5

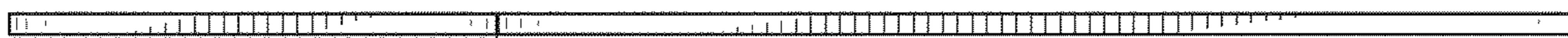


FIG. 6



FIG. 7